

# Project datasheet

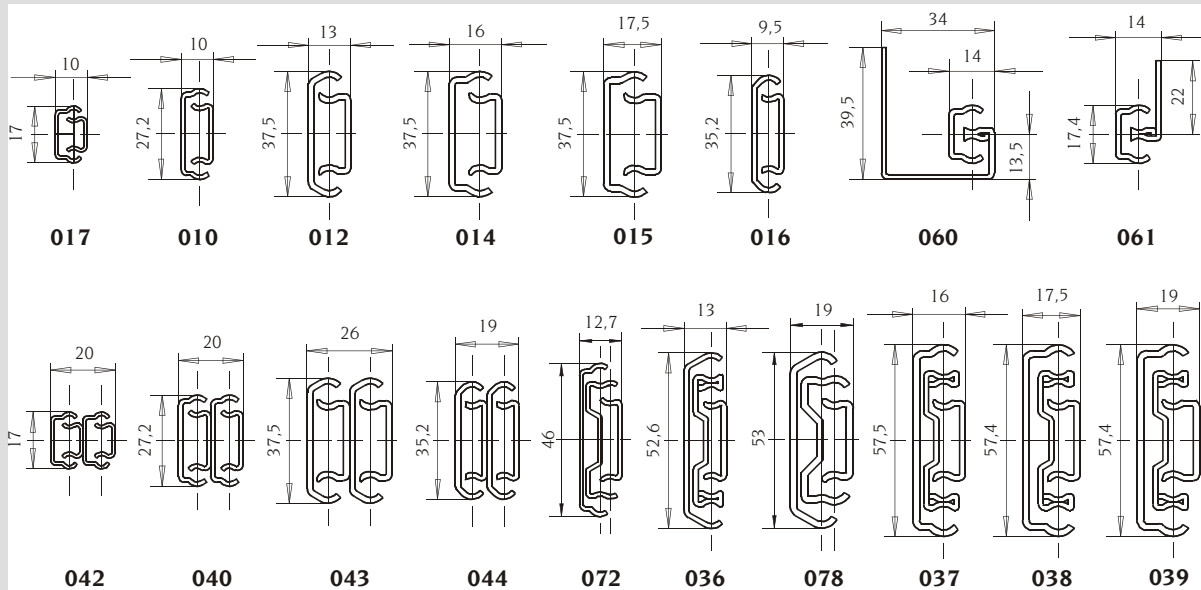
If you need a customized slide, please be kind enough to let us know some details of your project. We are looking forward to work out an optimum solution for your particular application.

Company, address: \_\_\_\_\_

Name, Function: \_\_\_\_\_

Tel., Fax, E-Mail: \_\_\_\_\_

## Slide variant:



## Branch / Application:

Interior cabinet dim.: Width: \_\_\_\_\_ mm Depth: \_\_\_\_\_ mm Height: \_\_\_\_\_ mm

Interior drawer dim.: Width: \_\_\_\_\_ mm Depth: \_\_\_\_\_ mm Height: \_\_\_\_\_ mm

Material: Cabinet: \_\_\_\_\_ Drawer: \_\_\_\_\_

Material thickness: Cabinet: \_\_\_\_\_ mm Drawer: \_\_\_\_\_ mm

Fixing: Cabinet: \_\_\_\_\_ Drawer: \_\_\_\_\_

Installation details: \_\_\_\_\_

Slide length: \_\_\_\_\_ mm Slide travel: \_\_\_\_\_ mm

Dynamic load capacity: \_\_\_\_\_ kg Cycles: \_\_\_\_\_

Surface finish: Drawer rail: \_\_\_\_\_

Cabinet rail: \_\_\_\_\_

Middle rail: \_\_\_\_\_

Ball cage: \_\_\_\_\_

Functional features: Stop ( ) opened position ( ) closed position

Detent ( ) opened position ( ) closed position

Self-closing ( ) single-sided ( ) double-sided

other features \_\_\_\_\_

Annual demand: \_\_\_\_\_ ( ) pieces ( ) pairs Life time: \_\_\_\_\_ years

Date for: Offer \_\_\_\_\_ Sample \_\_\_\_\_ Pre-serie \_\_\_\_\_ Serie \_\_\_\_\_