











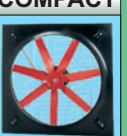

**In-Line Fans**

1 - 27

<b>TD</b>  2 - 7	<b>VENT</b>  8 - 11	<b>IBF</b>  12 - 16	<b>CVAB/CVAT</b>  17 - 18	<b>DH</b>  19 - 20	<b>RH</b>  21 - 22
<b>Accessories</b>					
 RCS 23	 DF 24	 DFK... +EU 25	 ACOP PL 26	 CAR 27	



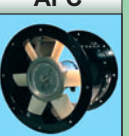











**Axial-flow Fans Wall Versions**

29 - 42

<b>HXM</b>  30	<b>COMPACT</b>  31 - 39	<b>AFW</b>  40 - 42
---	--	--

**Axial-flow Fans Cased Versions**

43 - 69

<b>COMPACT</b>  44 - 51	<b>TCB □x2</b>  52 - 53	<b>AFC</b>  54 - 57	<b>AFC-VB</b>  58 - 59	<b>AFC-HT</b>  60	<b>AFD</b>  61 - 62	<b>AFH</b>  63 - 64	<b>AFS</b>  65 - 66
<b>AFK</b>  67	<b>Accessories</b>						
	 Louvre shutters	 Flexible connectors	 Sleeve	 Mounting base	 Protection net		

**Roof Fans**

71 - 86

<b>RF</b>  72 - 74	<b>RFV</b>  75 - 76	<b>RBH</b>  77 - 78	<b>CTH..., CTV...</b>  79 - 85	<b>Accessories</b>  86
---	--	--	---	---

**Fans "ATEX"**

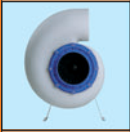
87 - 94

<b>EGM</b>  88 - 91	<b>COMPACT EXE</b>  92	<b>HDT, HDB</b>  93 - 94
--	---	---

**Centrifugal Fans VISP/VASP**

95 - 104

VISP



96 - 99

VASP



100 - 103

Accessories



104

**Centrifugal Fans**

105 - 190

SEM



106

DEM



107

CBM



108 - 110

CBP



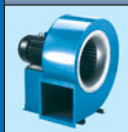
111 - 114

GSF-AP HT



115 - 116

GSF



117 - 119

GRF



120 - 121

GSFG



122 - 125

MPB



126 - 129

MPR



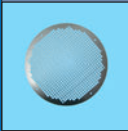
130 - 132

MPT



133 - 137

Accessories



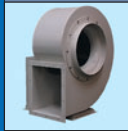
138 - 139

GMT



140 - 143

GSB/MSB



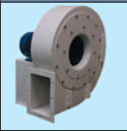
144 - 149

MSB-VB



150 - 152

HSB



153 - 155

GST



156 - 158

QP



159 - 161

Q



162 - 165

Q-2



166 - 167

DPB



168 - 169

FCM



170

RL



170

PB



171

PH



171

BL



172

BFN



172

HPBx



173 - 175

HPB, HPT, HPR



176 - 188

Accessories



189 - 190

**Side Channel Blowers**

191 - 212

SC



192 - 200

SC VB



201 - 204

DSC/PSC



205 - 210

Accessories



211 - 212

**Chip Extractors**

213 - 215

WNF



214 - 215

**Domestic Fans**

**217 - 227**

**SILENT**



218 - 219

**DECOR**



220 - 221

**EDM**



222 - 223

**EBB, EB**



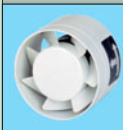
224

**EBB, EB N**



225

**TDM**



226

**HTB**



227

**Accessories**

**229 - 232**

**RMB**



230

**REB-1 NE**



230

**REGUL-2**



230

**HIG-2**



231

**SQA**



231

**CT 12/14**



231

**Commander SK**



232

**Electric Diagrams**

**233 - 237**

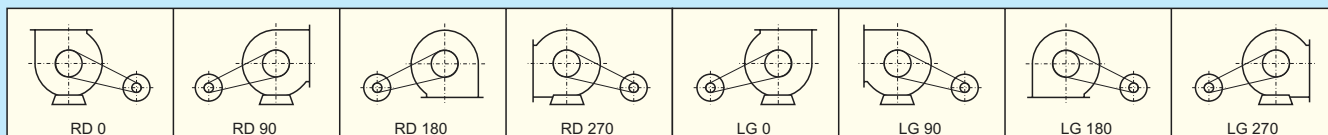
**General Information**

**239 - 242**

**Index**

**243 - 244**

All fans in this catalogue can be specified with orientations as shown below. However some fans can only be delivered as shown in the pictures in the catalogue. The symbols show the fan from the drive side or the motor side.



Performance curves are valid with a tolerance of  $\pm 10\%$  for the pressure and  $\pm 10\%$  for the airflow, air density  $1,223\text{kg/m}^3$ , at an ambient temperature of  $20^\circ\text{C}$  and at  $1013\text{mbar}$  atmospheric pressure. We reserve the right to make changes of constructions and performance curves without prior notice. We do not take any responsibility for misprints.



<b>TD</b>	<b>2</b>
<b>VENT</b>	<b>8</b>
<b>IBF</b>	<b>12</b>
<b>CVAB/CVAT</b>	<b>17</b>
<b>DH</b>	<b>19</b>
<b>RH</b>	<b>21</b>
<b>RCS</b>	<b>23</b>
<b>DF</b>	<b>24</b>
<b>DFK... + EU</b>	<b>25</b>
<b>ACOP PL</b>	<b>26</b>
<b>CAR</b>	<b>27</b>

**In-Line Fans**

**Axial-flow Fans Wall Versions**

**Axial-flow Fans Cased Versions**

**Roof Fans**

**Fans "ATEX"**

**Centrifugal Fans VISP/VASP**

**Centrifugal Fans**

**Side Channel Blowers**

**Chip Extractors**

**Domestic Fans**

**Accessories**

**Electric Diagrams**

**General Information**

**Index**





**Construction**

TD - the new generation of In-Line fans suit 6 different standard ducts (Ø100-400mm). Max flow 5100m<sup>3</sup>/h and max pressure 950Pa. The TD-fans are suitable for close-installation to ceilings, walls and to joists and they also are aesthetical attractive. The TD-fans can be horizontal or vertical installed.

The TD-fans can easily be dismantled for cleaning and service by loosen 2 binding clips without affecting the ducting.

The switch connector is mounted on the outside for easy electrical installation. TD-160, 250, 350, 500 and TD-800 have casing in reinforced plastic, TD-1000, 1300, 2000, 4000 and TD-6000 have casing in painted steel sheet. TD-160, 250, 350, 500 and TD-800 have impellers made of tough ABS plastic, TD-800N, 1000, 1300 2000, 4000 and TD-6000 have impellers made of aluminium sheet. All impellers are easy to dismount.



**Motor**

TD-160, 250 and TD-350:

220-240V, 50Hz single-phase asynchronous motor with built in fuse in the winding. Enclosure IP44. The motors are equipped with sleeve bearings and wined for 2 speeds, i.e. with a two-pole switch, one high speed (HF) and one low speed (LF) is obtained.

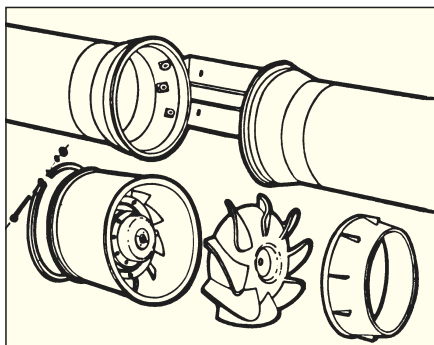
TD-500, 800, 1000, 1300 and TD-2000:

220-240V, 50Hz single-phase asynchronous motor with built in thermal protection (manually reset thermal contact can be supplied). Enclosure IP44. The motors are equipped with ball bearing and wined for 2 speeds, i.e. with a two-pole switch, one high speed (HF) and one low speed (LF) is obtained.

TD-4000 and TD-6000:

220-240V, 50Hz single-phase asynchronous motor with built in thermal protection (manually reset thermal contact can be supplied). Enclosure IP44. The motors are equipped with ball bearing.

Wiring diagram, see page 234.



**Accessories**

The TD-fans can be equipped with following:

- 2 speed switches
- Electronic regulator for variable speed control

**Accessories**



Duct filter DF page 24



Duct filter DFK page 25



Duct heater DH page 19



Backdraught shutter CAR page 27



Ativib. coupling ACOP PL page 26



Speed switch REGUL-2 page 230



Speed control REB page 230



Speed control RMB page 230



Humidistat HIG-2 page 231



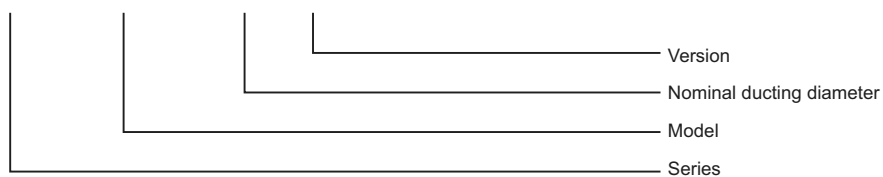
Air quality sensor SQA page 231



Thermostat TS, TK page 231

## Model numbering system

## TD - 800 / 200 N



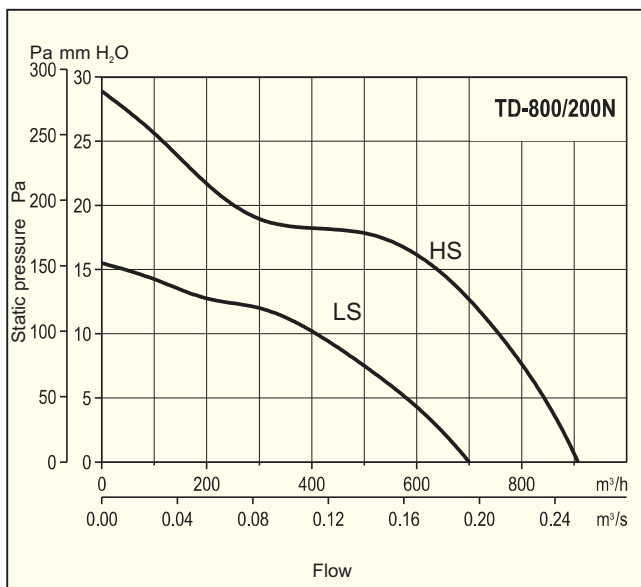
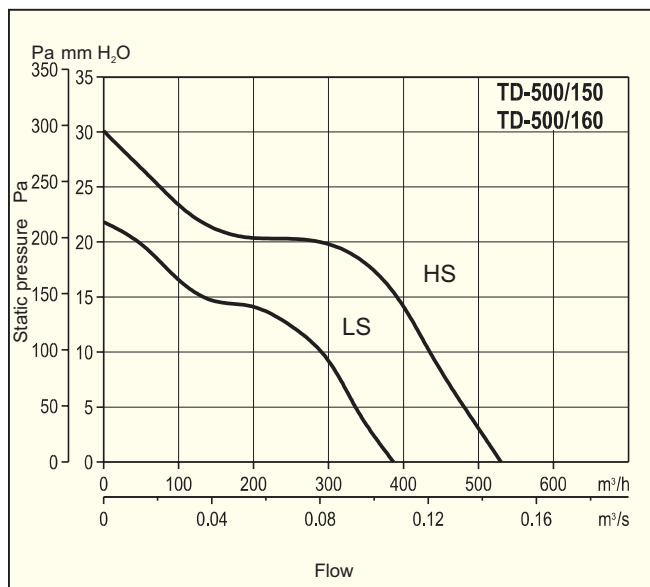
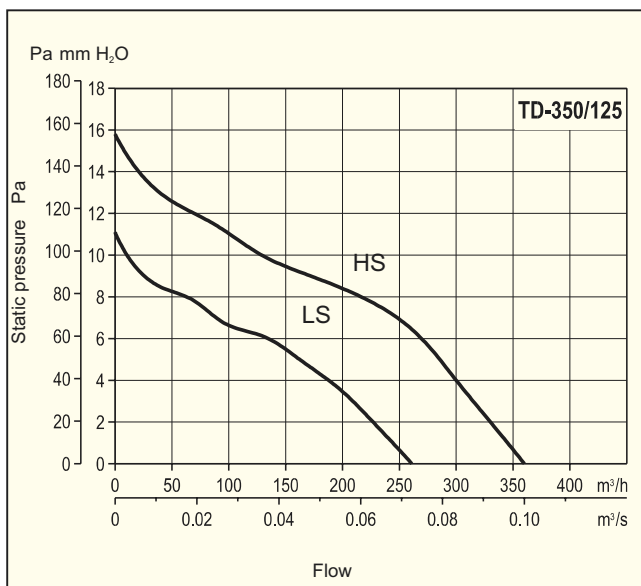
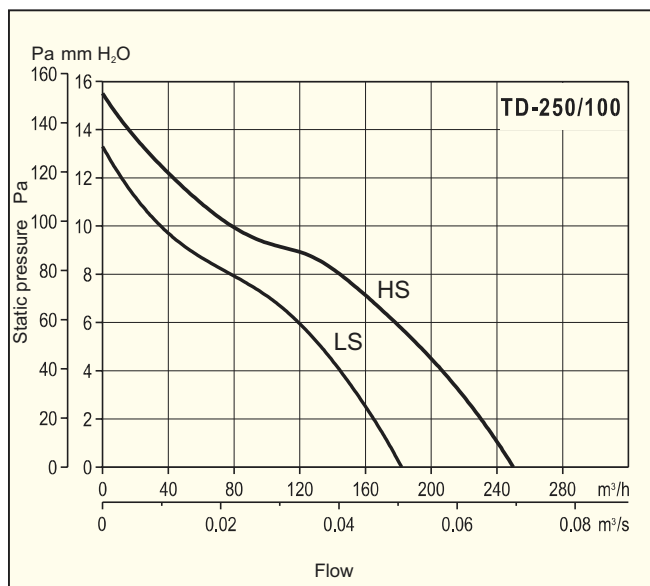
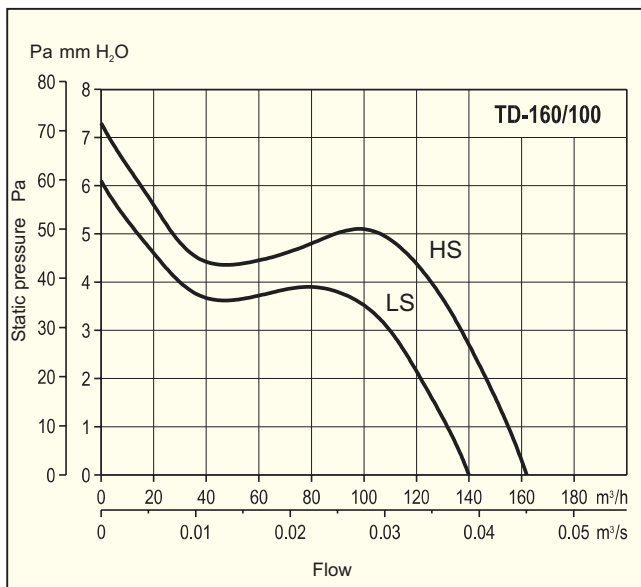
## Data

Type	Speed Rpm	Maximum power absorbed W	Maximum current A	Maximum duty m <sup>3</sup> /h	Maximum temperature °C	Sound level dB (A)	Weight kg	Article number
TD-160/100	2500 (HS) 2200 (LS)	35 16	0,16 0,10	180 160	-20 +40	29 26	1,4	112202061
TD-250/100	2200 (HS) 1850 (LS)	24 18	0,11 0,10	240 180	-20 +40	31 26	2,0	112202065
TD-350/125	2250 (HS) 1900 (LS)	30 22	0,13 0,10	360 280	-20 +40	33 28	2,0	112202073
TD-500/ 150 160	2500 (HS) 1950 (LS)	50 44	0,22 0,19	580 430	-40 +60	33 29	2,7	112202104 112202102
TD-800/200N	2780 (HS) 2480 (LS)	70 60	0,30 0,26	880 700	-40 +60	37 33	4,9	112202153
TD-800/200	2500 (HS) 2000 (LS)	120 100	0,50 0,45	1100 800	-40 +60	39 33	4,9	112202152
TD-1000/250	2800(HS) 2610(LS)	125 85	0,50 0,35	1010 900	-40 +60	40 38	9,4	112202201
TD-1300/250	2520 (HS) 2000 (LS)	180 140	0,80 0,60	1300 1100	-40 +60	43 39	9,4	112202221
TD-2000/315	2700 (HS) 2000 (LS)	255 160	1,20 0,80	2000 1550	-40 +60	47 42	14,0	112202251
TD-4000/355	1400	345	1,53	3800	-20 +40	44	19,0	112202240
TD-6000/400	1400	665	2,97	5500	-20 +40	44	26,0	112202260

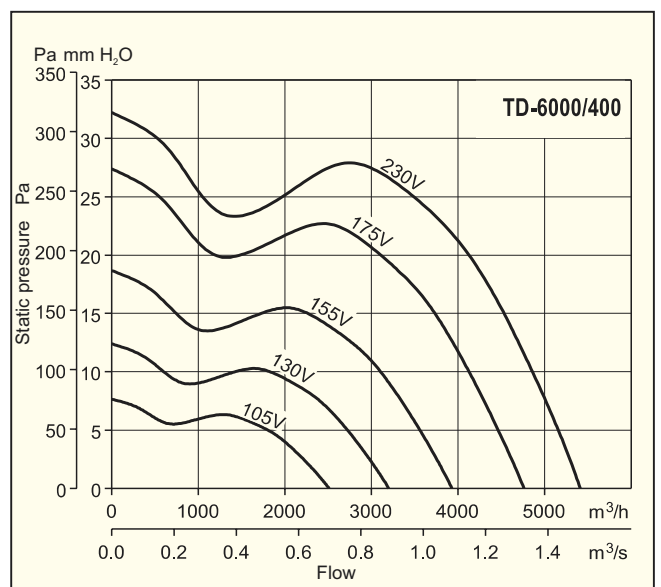
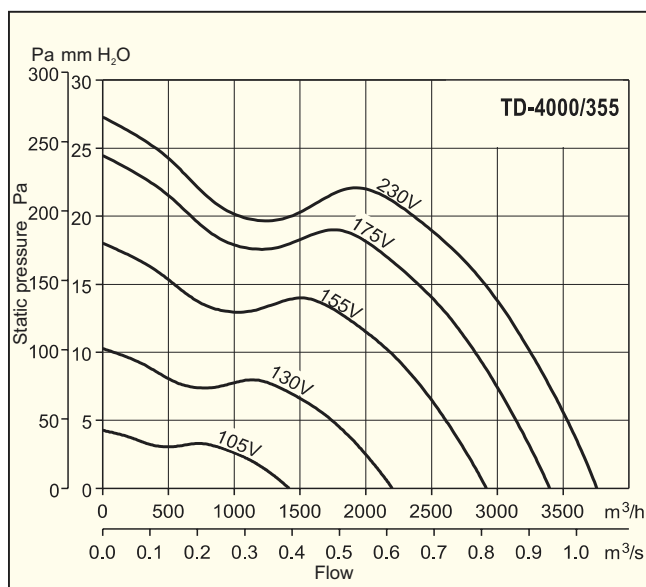
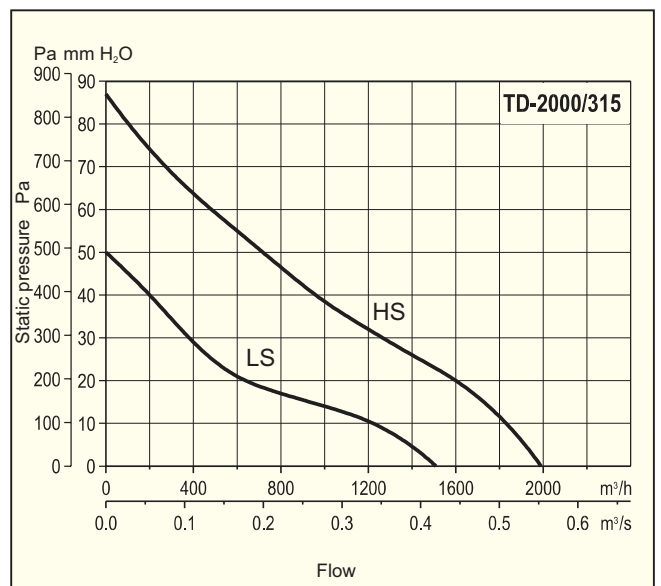
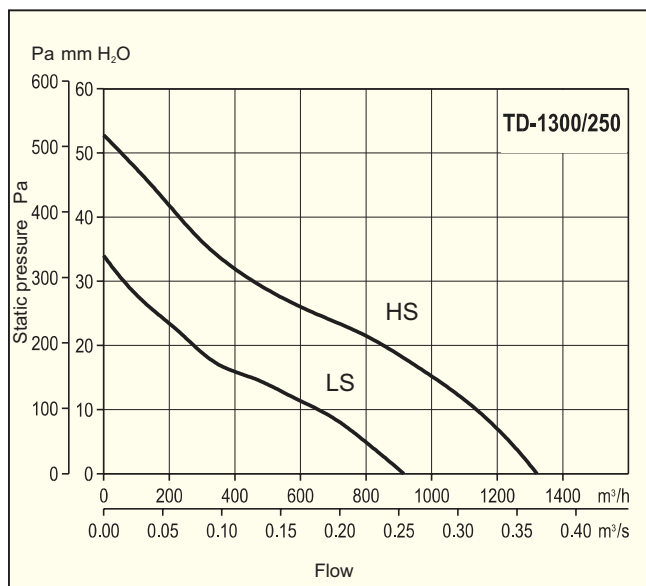
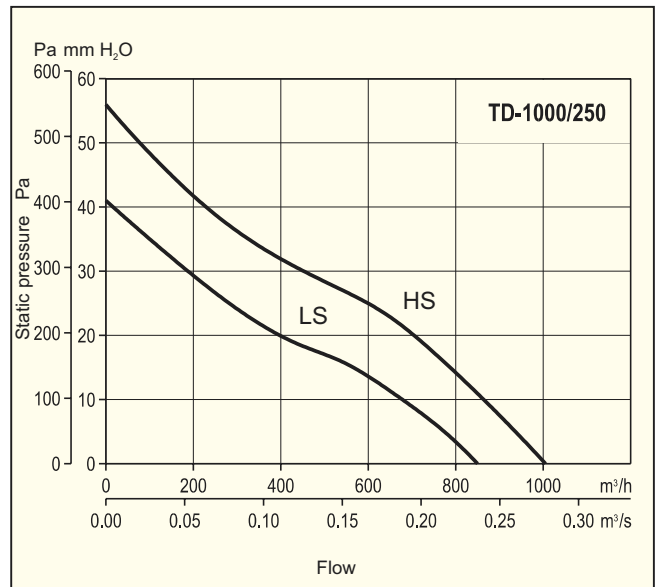
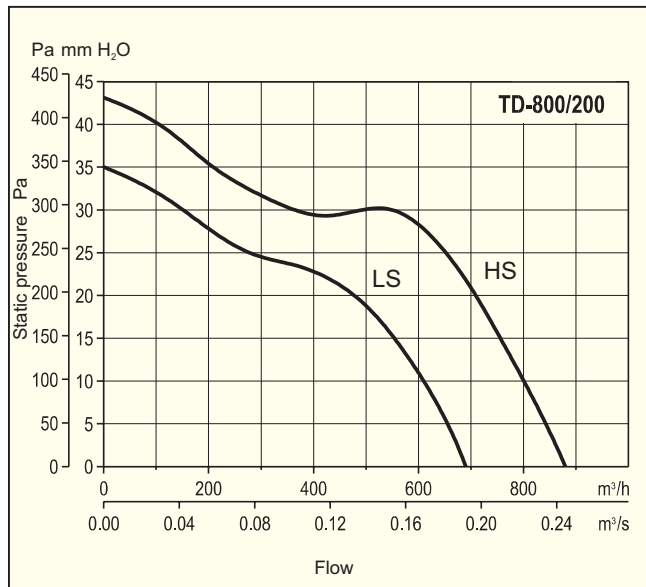
**Performance curves**

HS - High speed

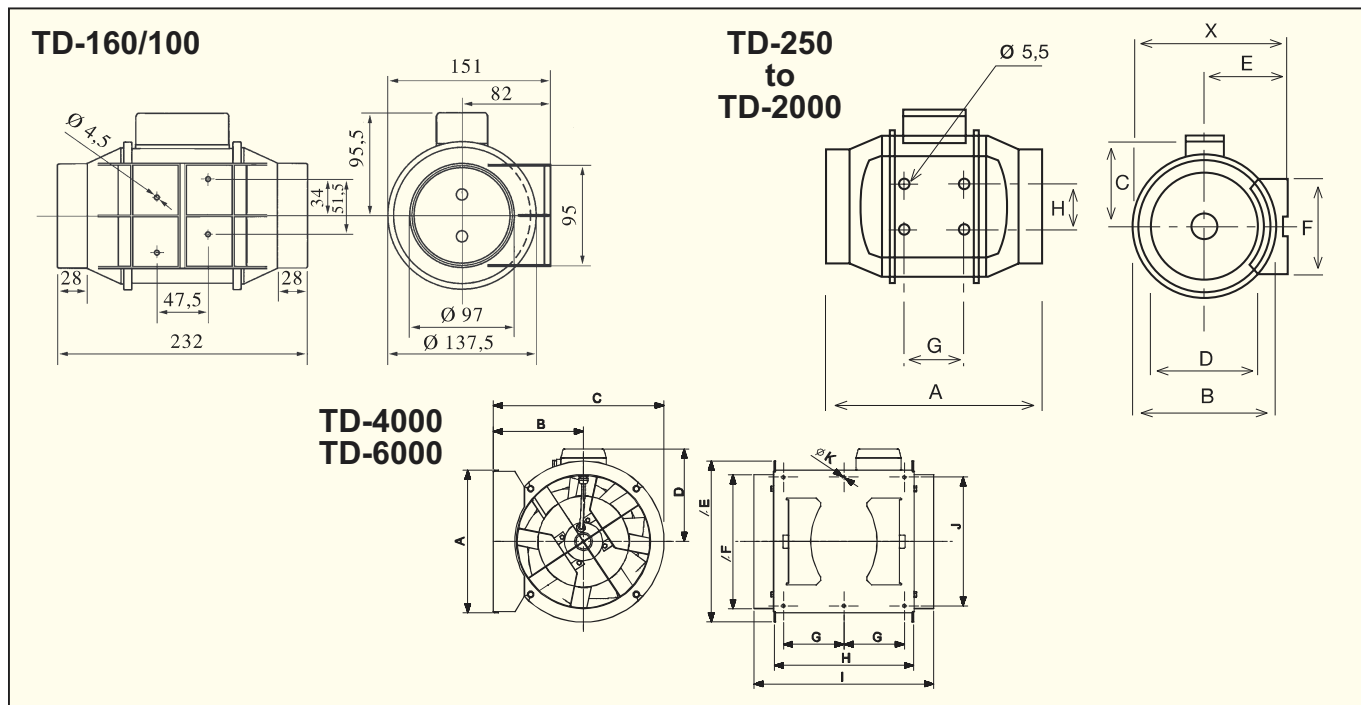
LS - Low speed



Performance curves



Dimensions in mm



Type	X	A	ØB	C	ØD	E	F	G	H
TD-250/100	188	303	176	115	97	100	90	80	60
TD-350/125	188	258	176	115	123	100	90	80	60
TD-500/150	212	295	200	127	147	112	130	80	60
TD-500/160	212	275	200	127	157	112	130	80	60
TD-800/200N	232,5	302	217	141	198	124	140	100	94
TD-800/200	232,5	302	217	141	198	124	140	100	94
TD-1000/250	291	386	272	192	248	155	168	145	140
TD-1300/250	291	386	272	192	248	155	168	145	140
TD-2000/315	356	450	336	224	312	188	210	182	178

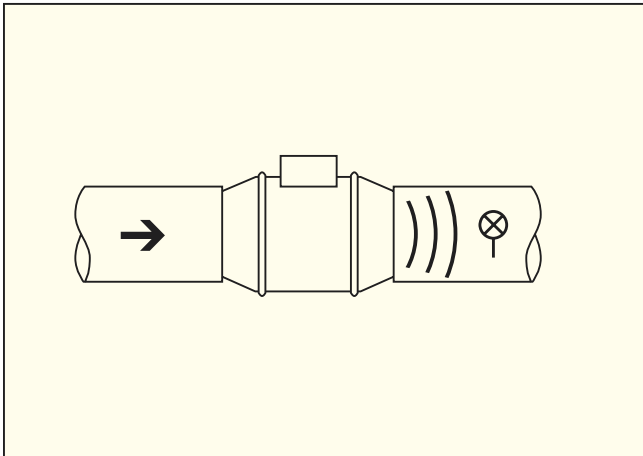
Type	A	B	C	D	ØE	ØF	G	H	I	J	ØK
TD-4000/355	377	238	451	224	426	354	150	368	474	340	8,5
TD-6000/400	407	249	492	267	487	399	160	425	547	370	8,5

Construction

		160	250	350	500	800	800N	1000	1300	2000	4000	6000
Casing	polipropylene	•	•	•	•	•	•					
	steel							•	•	•	•	•
Impeller	ABS	•	•	•	•	•						
	aluminium						•	•	•	•	•	•
Electrical insulation		II	II	II	II	II	II	I	I	I	I	I
Thermal overload protection	fuse type	•	•	•								
	automatic				•	•	•	•	•	•	•	•
Ball bearings		•	•	•	•	•	•	•	•	•	•	•
Speed control	1-speed										•	•
	2-speed	•	•	•	•	•	•	•	•	•		

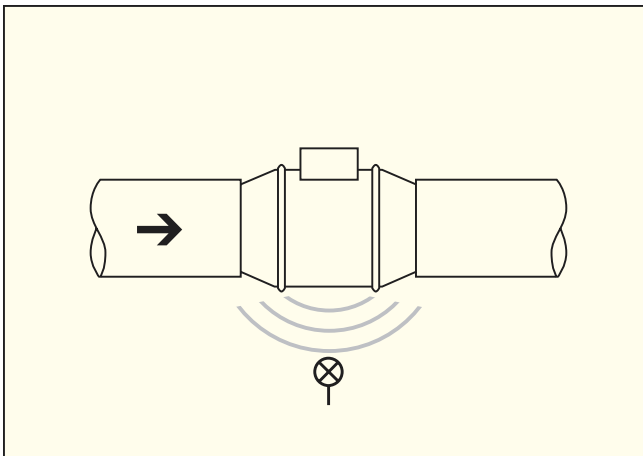
### Acoustic performance characteristics

Sound power level spectrum (dB (A)) at octave average frequencies (Hz), measured at fan discharge.



Frequency dB (A) \ Hz	63	125	250	500	1000	2000	4000	8000
TD-160/100	30	30	39	49	52	42	37	27
TD-250/100	28	47	46	53	52	47	39	33
TD-350/125	35	47	46	53	54	50	41	33
TD-500/150	32	35	55	57	59	62	56	48
TD-500/160	32	35	55	57	59	62	56	48
TD-800/200N	37	42	62	64	66	64	60	52
TD-800/200	37	47	61	63	68	67	64	54
TD-1000/250	35	45	58	66	72	69	62	54
TD-1300/250	37	52	64	67	75	73	66	61
TD-2000/315	41	57	66	71	77	74	67	62
TD-4000/355	40	49	61	66	73	70	66	57
TD-6000/400	43	56	67	72	76	74	69	60

Acoustic power level spectrum (dB (A)) at octave average frequencies (Hz), measured outside fan casing.



Frequency dB (A) \ Hz	63	125	250	500	1000	2000	4000	8000
TD-160/100	30	29	37	47	43	39	33	24
TD-250/100	27	46	45	44	43	43	32	25
TD-350/125	33	46	46	47	47	45	33	24
TD-500/150	25	32	43	39	44	53	42	29
TD-500/160	25	32	43	39	44	53	42	29
TD-800/200N	26	32	48	47	52	53	44	31
TD-800/200	29	36	47	46	54	57	48	33
TD-1000/250	23	34	44	46	58	57	46	43
TD-1300/250	22	36	39	47	60	59	52	47
TD-2000/315	29	41	52	55	64	63	57	53
TD-4000/355	31	49	55	55	63	57	51	40
TD-6000/400	30	53	59	55	61	55	54	45





VENT 100 to VENT 315

**Construction**

In-Line fans designed for circular ducting Ø100 to Ø315mm. Casing in galvanized steel sheet, impeller with backward curved blades. Balanced according to ISO 1940.

**Motor**

Single-phase, external rotor motor with ball bearing, 220-240V, 50/60Hz with permanent capacitor, self-resetting thermal protection and jack panel. Enclosure IP44, insulation class B.

VENT-355L-T and VENT-400L-T has three phase motor with ball bearings, 230/400V, 50/60Hz.

Wiring diagram, see page 236.



VENT 355 and VENT 400

**Accessories**



Duct filter  
DF  
page 24



Duct filter  
DFK  
page 25



Duct heater  
DH  
page 19



Backdraught  
shutter CAR  
page 27



Antivib. coupling  
ACOP PL  
page 26



2-speed switch  
REB  
page 230



Speed controller  
RMB  
page 230



Humidistat  
HIG-2  
page 231



Air quality sensor  
SQA  
page 231



Thermostat  
TS, TK  
page 231

**Technical specification**

Type	Voltage V	Speed rpm	Maximum power W	Maximum current A	Maximum duty m³/h	Sound pressure level* dB(A)	Maximum temperature °C	Weight kg	Article number
VENT-100B	230	2100	48	0,22	235	38	40	3	112 208 103
VENT-100L	230	2500	78	0,33	290	47	60	3	112 208 101
VENT-125B	230	1900	44	0,21	280	39	40	3	112 208 107
VENT-125L	230	2450	80	0,35	410	47	60	3	112 208 105
VENT-150B	230	2100	70	0,30	560	46	60	5	112 208 132
VENT-150L	230	2700	120	0,53	700	50	60	5	112 208 130
VENT-160B	230	2200	70	0,30	600	45	60	5	112 208 112
VENT-160L	230	2750	130	0,55	760	51	60	5	112 208 110
VENT-200B	230	2250	125	0,50	830	47	60	5	112 208 117
VENT-200L	230	2600	170	0,72	1000	52	60	5	112 208 115
VENT-250B	230	2300	130	0,55	935	49	60	6	112 208 122
VENT-250L	230	2750	180	0,80	1100	54	60	6	112 208 120
VENT-315B	230	2300	235	1,00	1440	52	50	8	112 208 127
VENT-315L	230	2700	350	1,45	1890	55	50	8	112 208 125
VENT-355L	230	1350	280	1,20	2650	60	40	17	112 208 135
VENT-400L	230	1250	400	1,60	3380	61	40	22	112 208 140
VENT-355L-T	230/400	1375	290	1,4/0,8	2650	60	40	17	112 208 137
VENT-400L-T	230/400	1360	450	1,9/1,1	3380	61	40	22	112 208 142

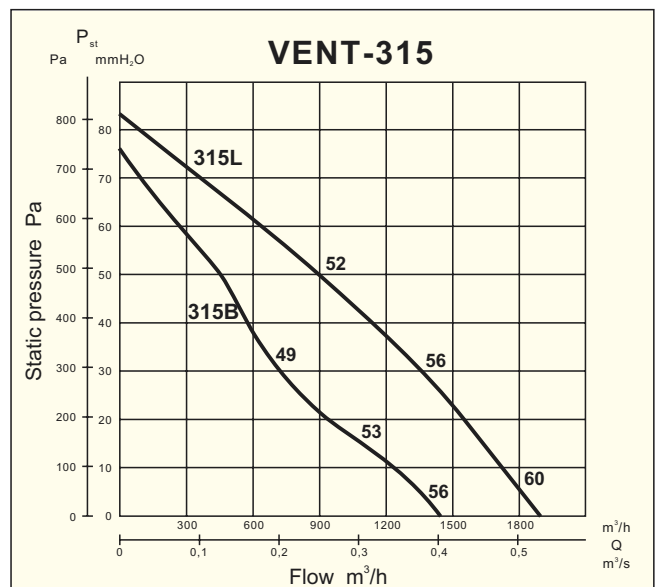
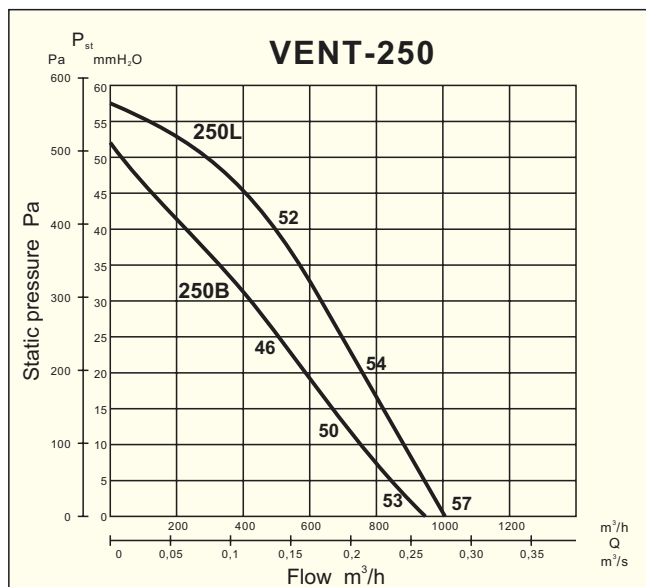
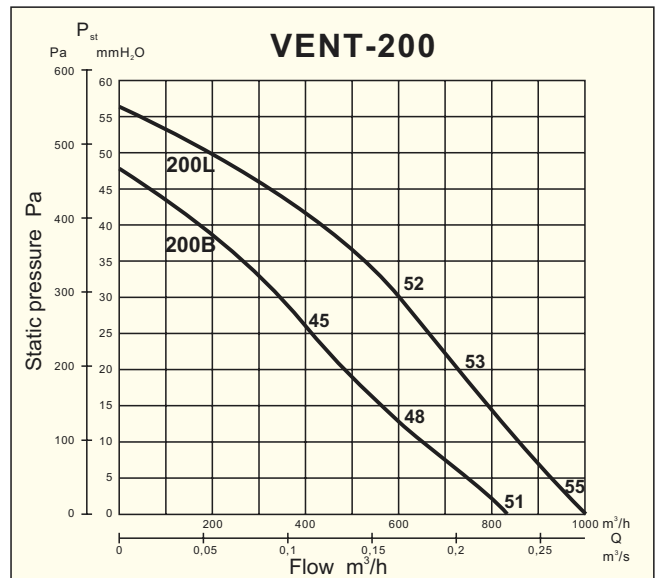
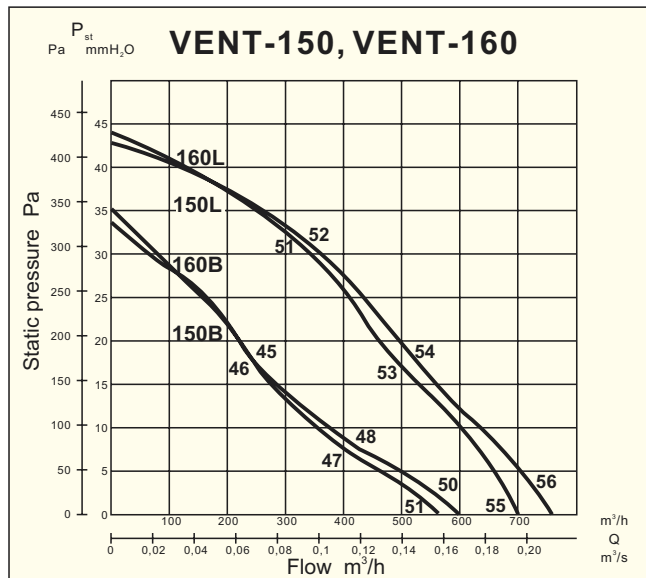
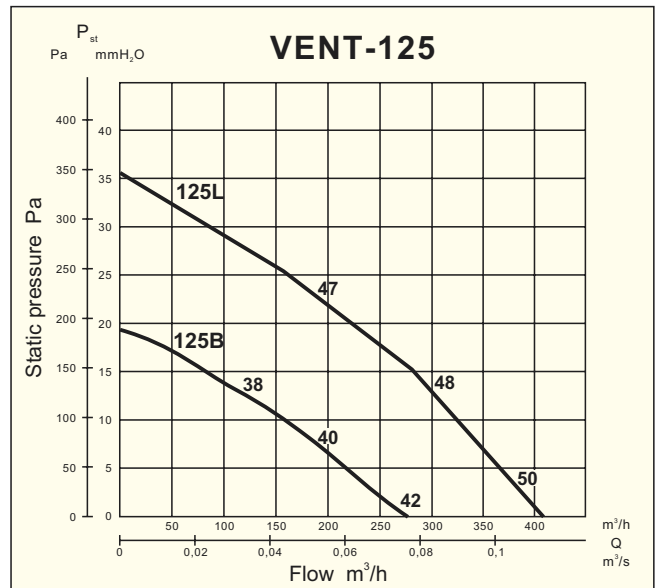
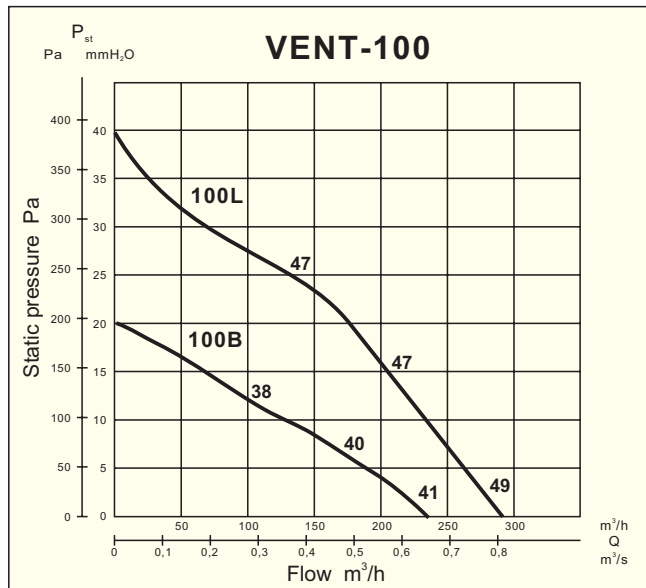
\* - 3m distance with fan ducted.

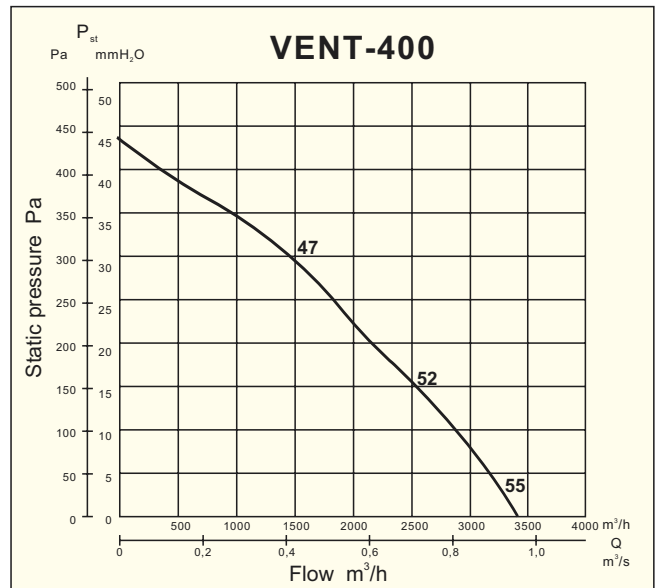
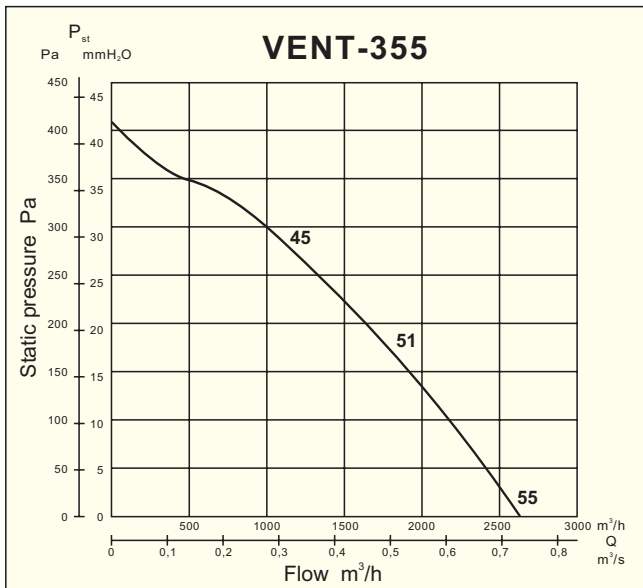
**Acoustics performance characteristics**

Type	LwA	63	125	250	500	1000	2000	4000	8000	TOT
100L	inlet	44	53	63	60	67	61	52	41	70
	outlet	42	48	67	61	63	61	55	44	70
	radiated	42	44	53	51	46	45	40	33	56
100B	inlet	37	43	54	49	59	54	48	39	61
	outlet	38	42	56	48	53	53	49	38	60
	radiated	36	33	32	36	40	38	34	26	45
125L	inlet	38	47	59	67	65	62	56	44	70
	outlet	38	45	61	64	63	63	56	46	69
	radiated	37	43	45	51	47	45	42	33	54
125B	inlet	33	43	55	57	57	55	51	41	62
	outlet	34	41	57	53	55	56	52	41	62
	radiated	34	36	35	38	41	39	37	28	46
150L	inlet	40	45	63	73	69	64	61	46	75
	outlet	40	45	63	66	67	64	61	47	72
	radiated	40	37	46	59	51	50	43	30	60
150B	inlet	36	44	58	70	64	60	56	40	71
	outlet	36	43	55	62	62	59	56	40	67
	radiated	36	38	40	53	46	45	41	29	55
160L	inlet	39	45	63	74	70	67	63	48	77
	outlet	43	45	61	67	68	65	62	49	72
	radiated	43	36	44	60	52	51	45	32	61
160B	inlet	35	41	56	69	63	60	56	42	71
	outlet	35	42	54	63	61	59	57	42	67
	radiated	35	37	37	52	45	45	42	29	54

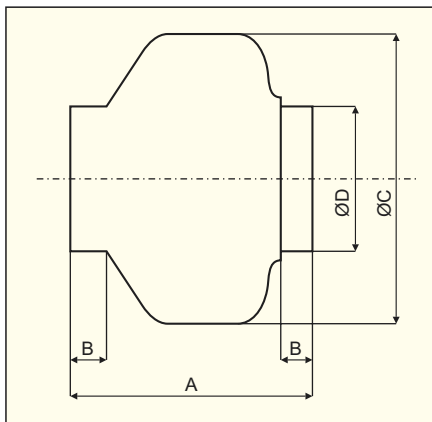
Type	LwA	63	125	250	500	1000	2000	4000	8000	TOT
200L	inlet	42	52	63	70	69	68	66	60	75
	outlet	43	51	63	70	69	69	68	59	75
	radiated	43	48	40	51	53	52	49	39	58
200B	inlet	41	53	60	67	66	64	63	52	72
	outlet	42	51	61	65	66	66	65	53	72
	radiated	42	42	34	46	48	53	46	37	56
250L	inlet	43	57	67	71	72	70	70	60	78
	outlet	42	53	67	73	75	75	72	62	80
	radiated	36	52	37	53	53	51	50	38	59
250B	inlet	42	53	62	68	69	66	66	57	74
	outlet	39	48	62	70	70	69	67	59	76
	radiated	38	43	36	52	48	50	48	42	56
315L	inlet	45	58	70	74	75	76	71	66	81
	outlet	57	58	72	76	77	77	72	68	83
	radiated	51	54	49	56	61	59	56	48	65
315B	inlet	44	59	68	70	71	70	67	60	77
	outlet	44	51	71	72	75	74	69	64	80
	radiated	43	43	47	50	52	55	53	43	59
355L	inlet	40	57	68	71	71	67	59	48	76
	outlet	42	59	62	69	70	68	60	50	74
	radiated	41	55	43	50	55	51	42	29	59
400L	inlet	42	61	69	72	67	66	63	50	76
	outlet	47	63	66	70	69	68	64	51	75
	radiated	45	58	45	52	52	50	46	30	61

Performance curves

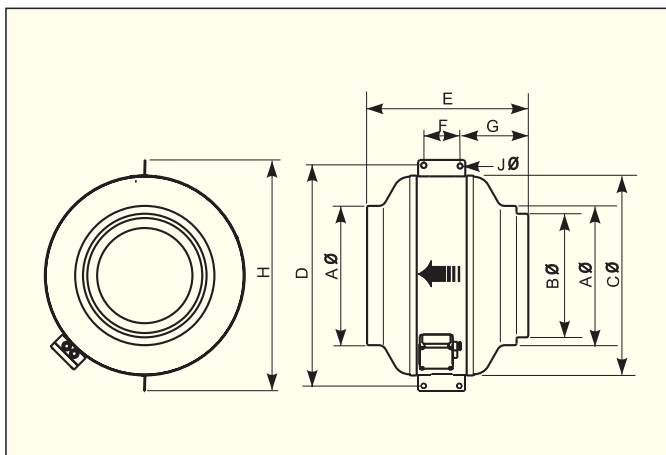




Dimensions in mm



Type	A	B	ØC	ØD
VENT-100	194	23	243	98
VENT-125	195	27	243	123
VENT-150	214	24	333	147
VENT-160	222	28	333	157
VENT-200	223	25	333	198
VENT-250	206	27	333	248
VENT-315	230	25	401	312



Type	A	B	C	D	E	F	G	H	J
VENT-355	354	314	508	583	410	100	170	587	10,5
VENT-400	399	354	568	623	441	100	185	647	10,5



**Construction**

In-line fan designed for installation in rectangular ducting. Casing in welded steel sheet, powder coated. Backward curved impellers.

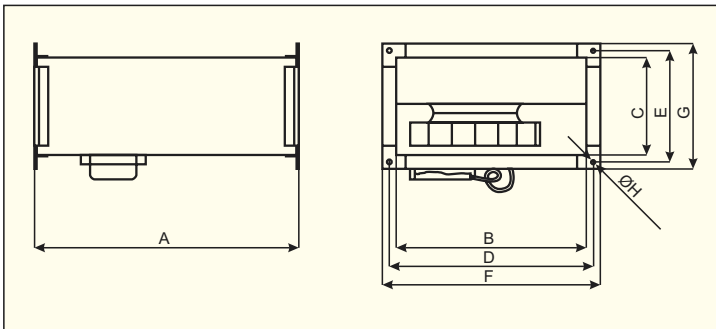
**Motor**

220-240V, 50Hz single-phase external rotor motor with capacitor suitable for speed control or 400V, 50Hz three phase. Enclosure IP44, insulation class B. Special voltage or frequency improved enclosure and motors with thermal protection may be supplied on request.

Wiring diagram, see page 236.



**Dimensions in mm**



Type	A	B	C	D	E	F	G	ØH
190	402	298	148	320	170	340	190	9
220	502	398	198	420	220	440	240	9
280	532	498	248	520	270	540	290	9
315	565	500	298	522	320	540	338	9
355	725	600	348	622	370	640	388	9
400	725	600	348	622	370	640	388	9
450	725	700	400	722	422	740	440	9
500	880	800	500	822	522	840	540	9
560	1000	1000	500	1022	522	1040	540	9

**Accessories**



Electronic regulator REB page 230



Speed controller RMB page 230



Duct heater RH page 21



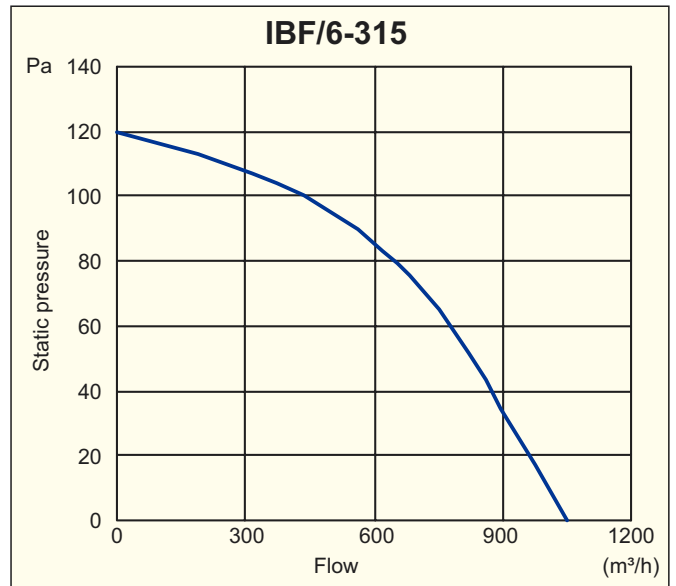
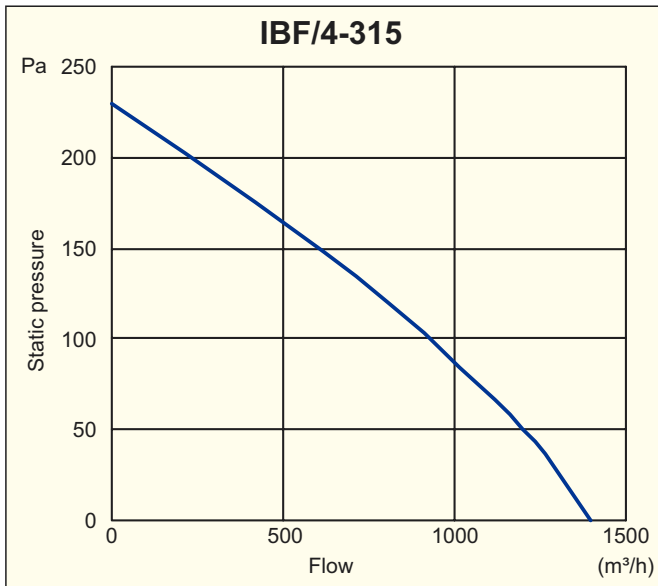
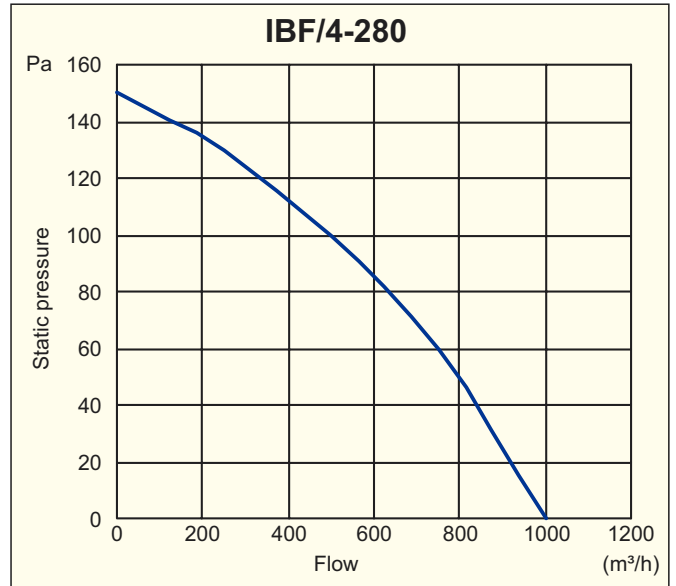
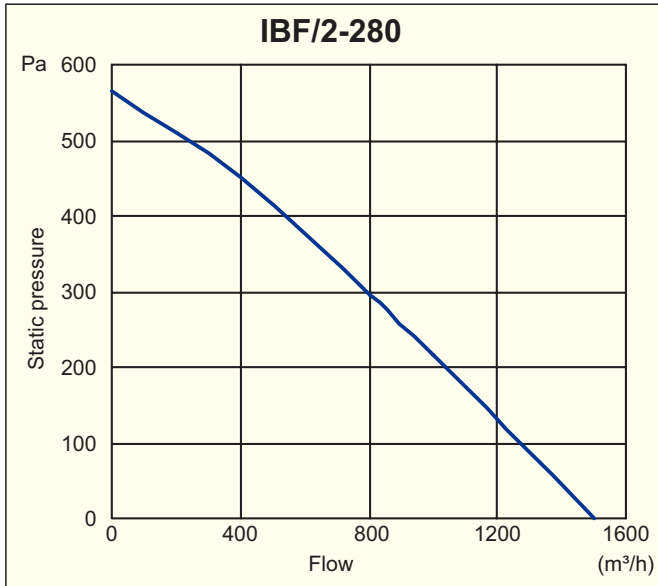
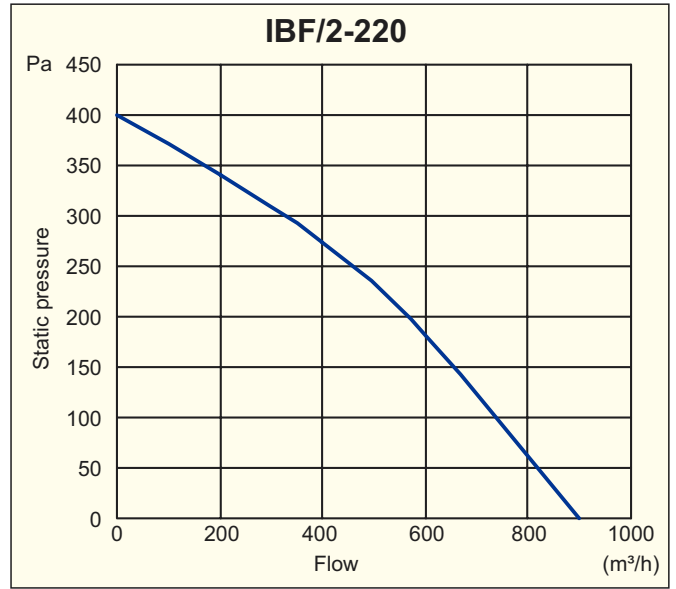
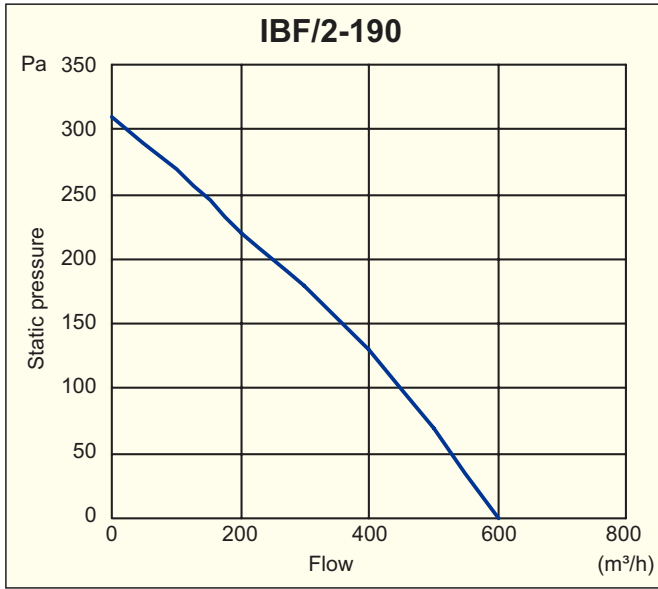
Silencer RCS page 23

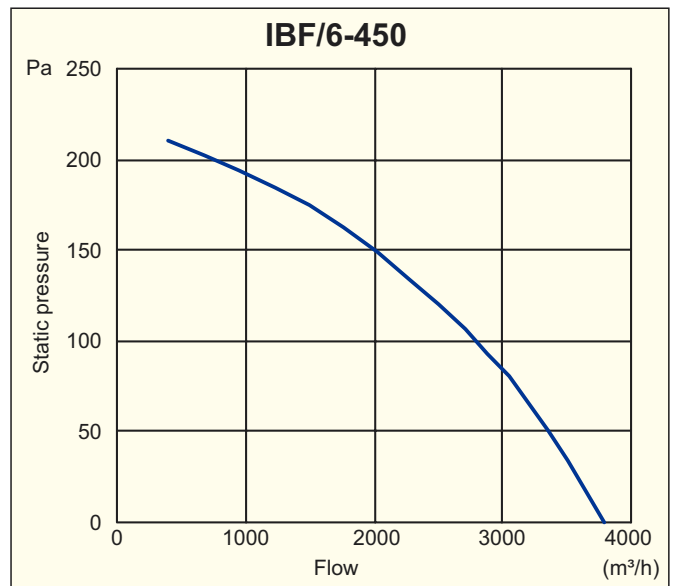
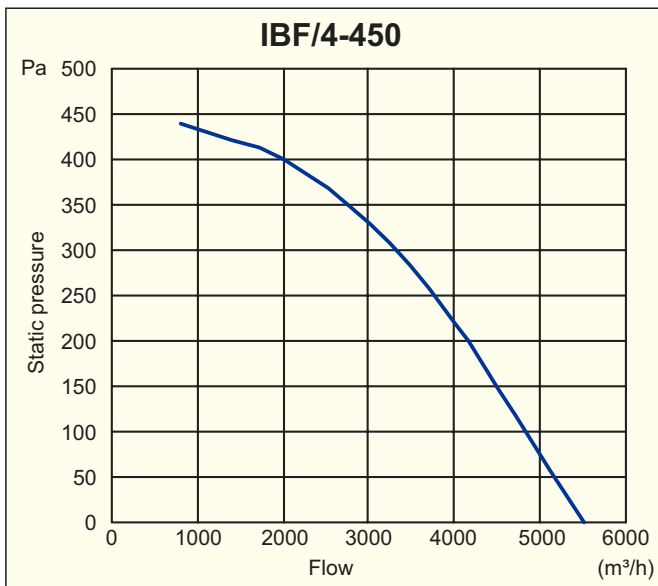
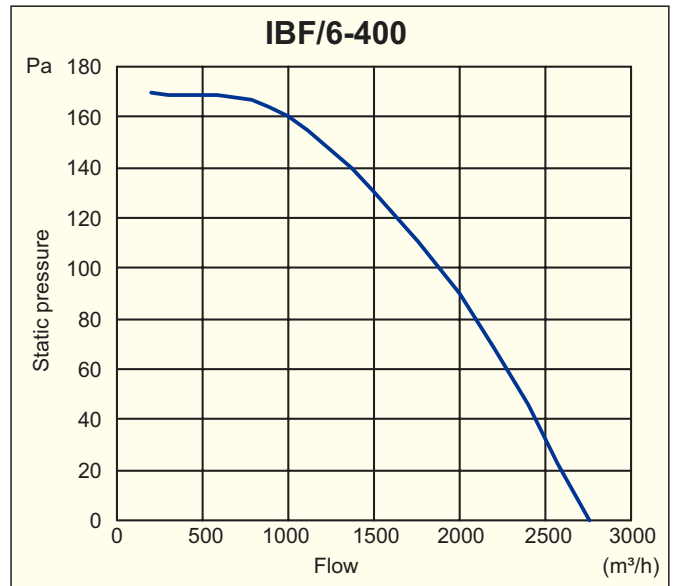
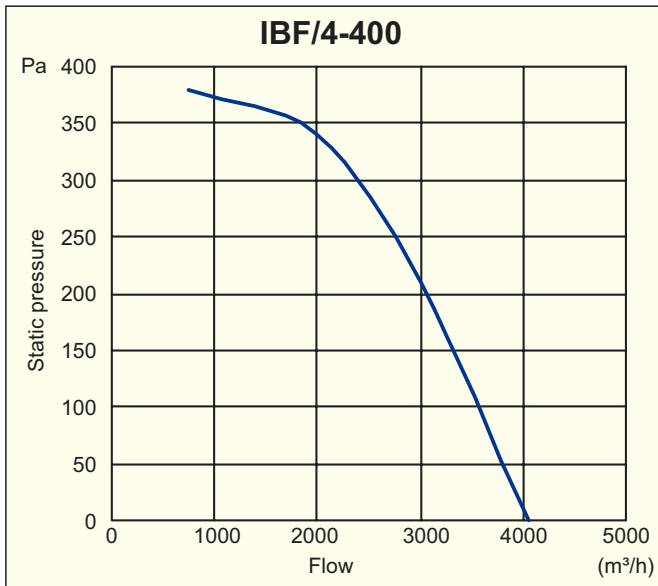
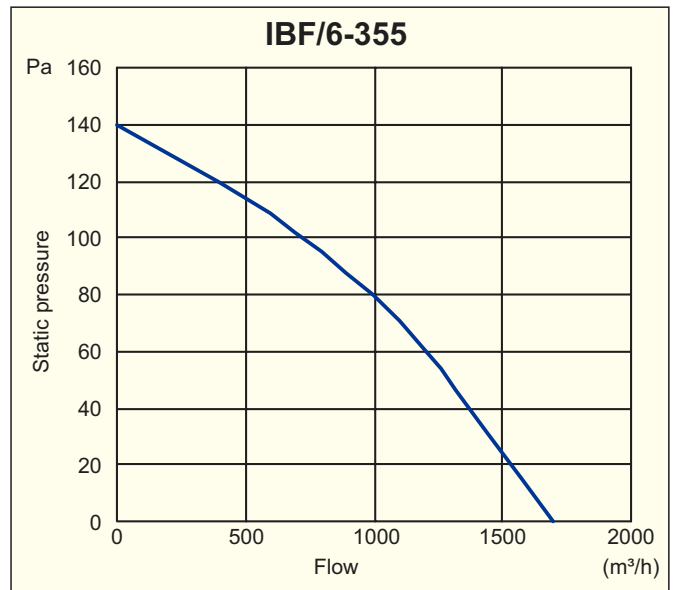
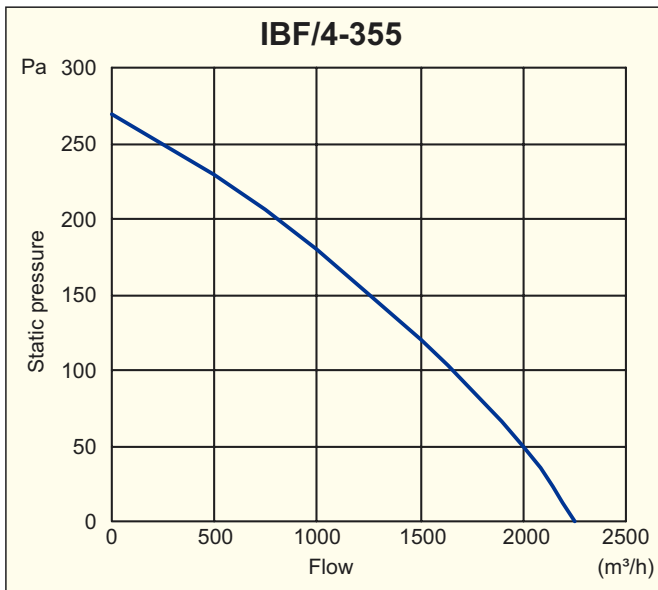
## Data

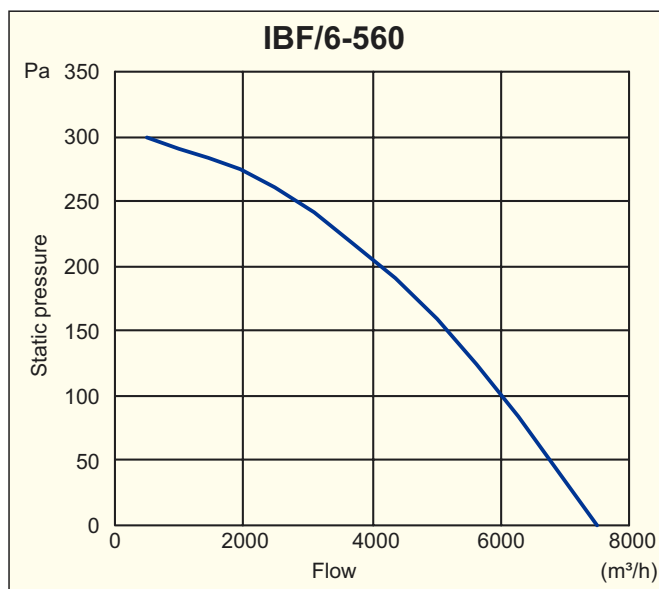
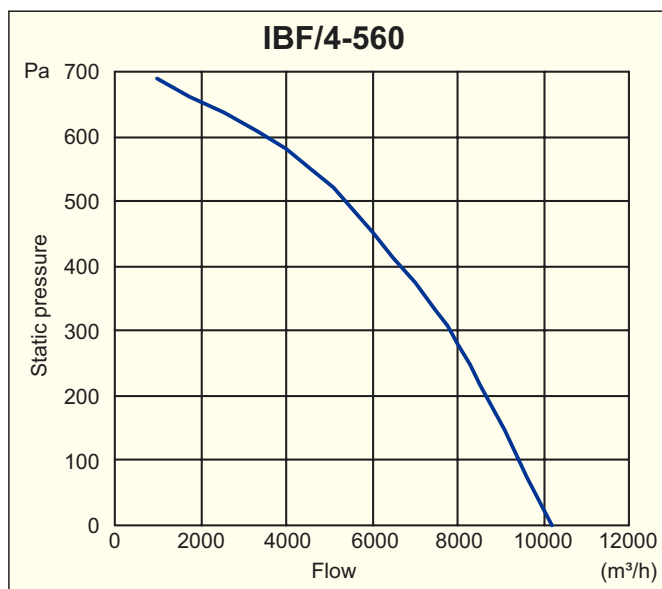
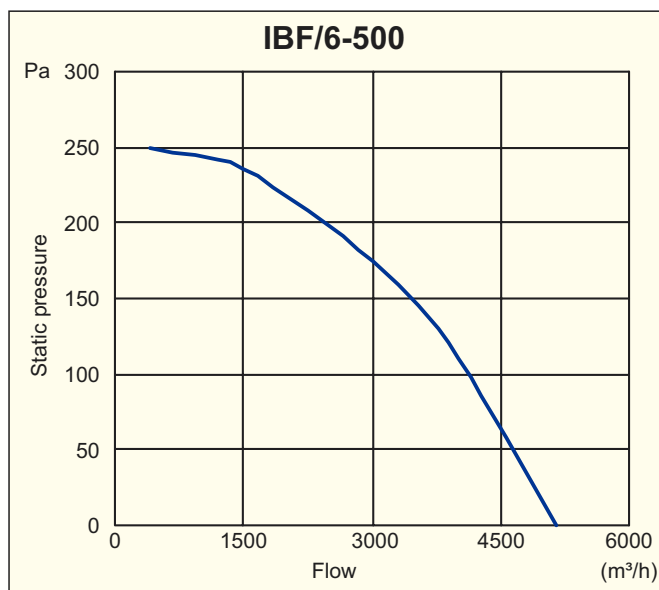
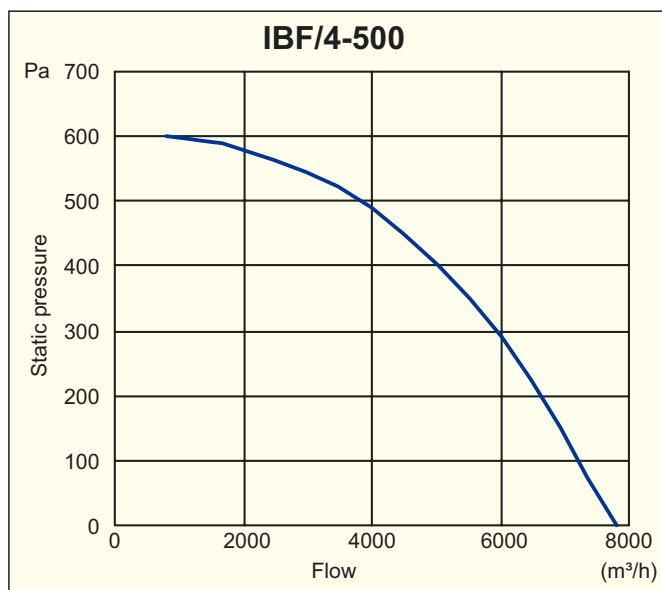
Type	Motor power W	Speed rpm	Voltage V	Maximum current A	Maximum duty m³/h	Maximum pressure Pa	Sound pressure level dB(A)	Weight kg	Article number
IBF/2-190	85	2400	230	0,34	600	300	64	7,5	113921100
IBF/2-220	110	2790	230	0,53	900	400	71	12	113921200
IBF/2-280	260	1850	230	1,1	1500	540	76	16	113921300
IBF/4-280	90	1400	230	0,4	1000	150	61	15,5	113921400
IBF/4-315S	120	1440	230	0,56	1400	230	66	22	113921500
IBF/4-355S	230	1400	230	1,16	2250	270	68	33	113921600
IBF/6-315S	47	965	230	0,18	1050	120	51	22	113921550
IBF/6-355S	66	875	230	1,16	1700	140	55	33	113921650
IBF/4-315T	120	1400	400	0,48	1400	230	66	22	113921560
IBF/4-355T	230	1400	400	1,1	2250	270	68	33	113921660
IBF/4-400S	520	1355	230	2,2	4050	380	78	35	113921670
IBF/4-400T	460	1345	400	0,85	4050	380	78	35	113921680
IBF/6-400S	160	880	230	1,6	2750	170	67	35	113921690
IBF/6-400T	160	890	400	0,36	2750	170	67	35	113921700
IBF/4-450S	740	1280	230	3,2	5500	440	83	85	113921710
IBF/4-450T	690	1230	400	1,3	5500	440	83	85	113921720
IBF/6-450S	240	840	230	1,05	3800	210	74	85	113921730
IBF/6-450T	250	880	400	0,6	3800	210	74	85	113921740
IBF/4-500S	1300	1320	230	5,7	7800	600	83	122	113921750
IBF/4-500T	1200	1320	400	2,2	7800	600	83	117	113921760
IBF/6-500S	380	820	230	1,65	5150	250	73	110	113921770
IBF/6-500T	390	850	400	0,81	5150	250	73	110	113921780
IBF/4-560T	1800	1230	400	3,41	10200	690	88	155	113921790
IBF/6-560S	670	810	230	3	7500	300	78	155	113921800
IBF/6-560T	690	850	400	1,5	7500	300	78	150	113921810

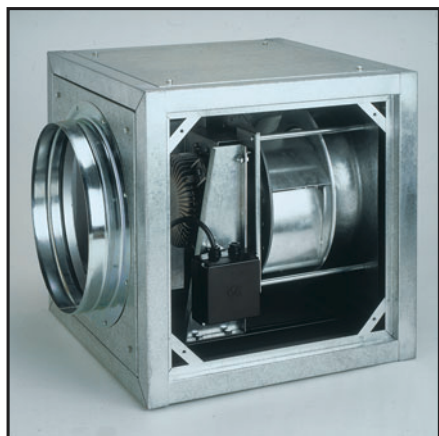


Performance curves









## Construction

In-line fan designed for installation in circular ducting from Ø200 to Ø710 mm. Insulated casing in galvanized steel sheet. Impeller in galvanized steel sheet with backward curved blades. Dynamic balanced according to ISO 1940.

## Motor

220–240V, 50Hz single-phase or 230/400V, 50Hz three phase asynchronous motor, thermal protection with terminals of the thermal trip are brought out to the terminal box. Enclosure IP55 according to UNE 20–11 and IEC 34–5 (waterproof, dustproof design), insulation class F for environmental temperature +70°C. The motor is designed according to IEC 34–1 and dynamically balanced according to ISO 1940. Speed controllable by variation of the supply voltage by means of transformer or electrical regulator. Special voltage or frequency and improved enclosure can be supplied on request.

Wiring diagram, see page 235.

## Technical specification

Type	Speed rpm	Motor power W	Maximum current A		Maximum duty m <sup>3</sup> /h	Sound level* dB (A)			Weight kg	Article number
			230V	400V		Outlet	Inlet	Radiated		
<b>SINGLE-PHASE</b>										
CVAB/4-700/200	1375	62	0,30	-	690	46	44	32	26	112 208 415
CVAB/4-1200/250	1340	115	0,57	-	1150	51	47	35	30	112 208 418
CVAB/4-1500/250	1380	160	0,72	-	1520	54	52	42	38	112 208 421
CVAB/4-2600/355	1350	275	1,20	-	2600	60	55	42	46	112 208 425
CVAB/4-3800/355	1380	570	2,60	-	3750	63	60	48	62	112 208 428
CVAB/4-5600/400	1380	1100	5,30	-	5600	70	66	52	94	112 208 431
<b>THREE-PHASE</b>										
CVAT/4-700/200	1375	62	-	0,17	690	46	44	32	26	112 208 435
CVAT/4-1200/250	1340	115	-	0,35	1150	51	47	35	30	112 208 438
CVAT/4-1500/250	1380	160	-	0,50	1520	54	52	42	38	112 208 441
CVAT/4-2600/355	1350	275	-	0,80	2600	60	55	42	46	112 208 445
CVAT/4-3800/355	1380	570	-	1,50	3750	63	60	48	62	112 208 448
CVAT/4-5600/400	1380	1100	-	1,80	5600	70	66	52	94	112 208 451
CVAT/4-9000/500	1475	2050	-	4,80	8800	76	75	60	105	112 208 455
CVAT/6-6000/500	960	900	-	3,30	5700	67	65	53	105	112 208 458
CVAT/6-10000/630	975	1500	-	3,90	10000	69	69	53	120	112 208 461
CVAT/6-14000/630	965	2500	-	5,40	14000	74	73	58	160	112 208 465
CVAT/6-17000/710	965	3900	-	6,90	17100	78	76	60	220	112 208 468

\* distance 1.5m

## Accessories



Duct filter  
DF  
page 24



Duct filter  
DFK  
page 25



Duct heater  
DH  
page 19



Speed switch  
REB  
page 230



Speed controller  
RMB  
page 230



Humidistat  
HIG-2  
page 231

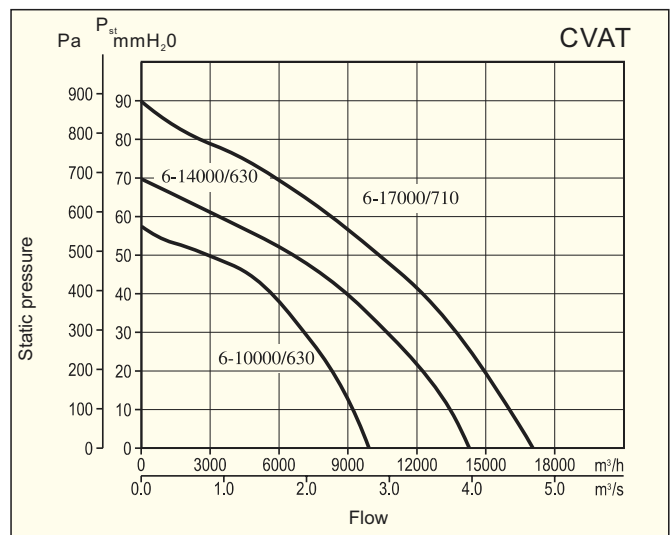
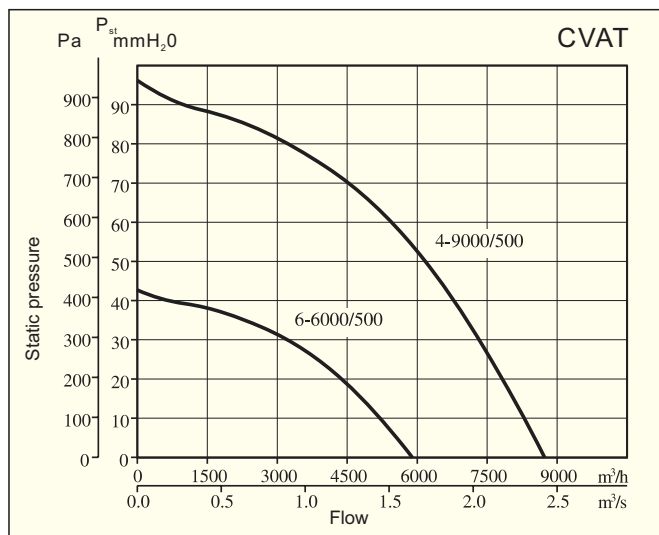
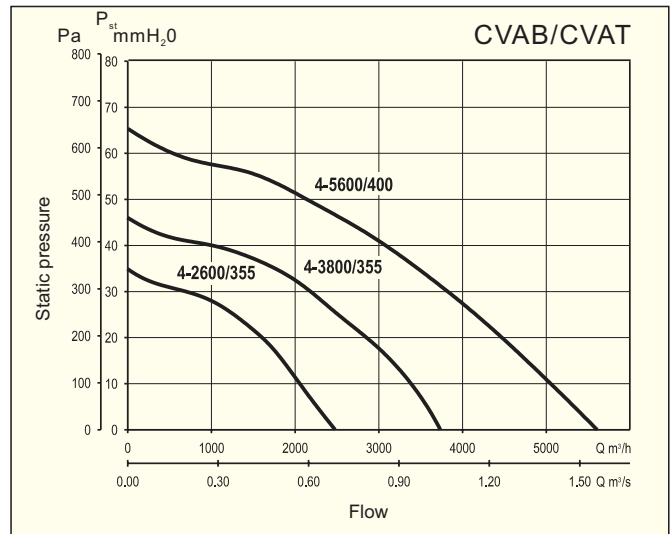
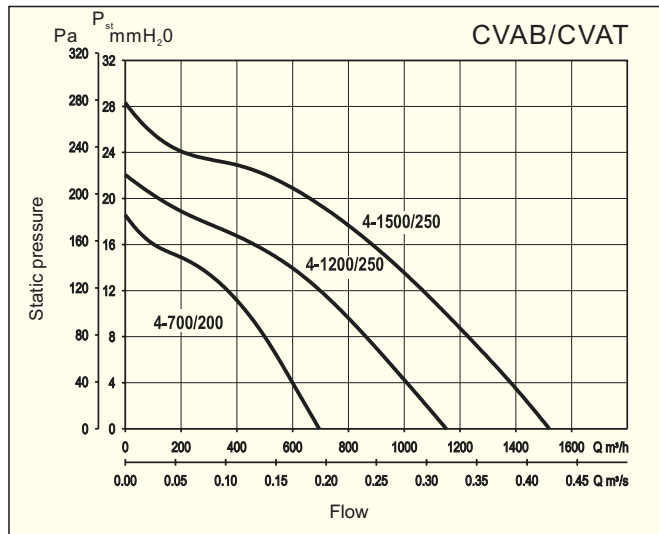


Air quality sensor  
SQA  
page 231

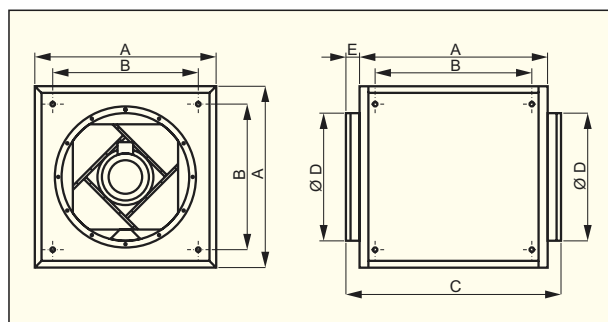


Thermostat  
TS, TK  
page 231

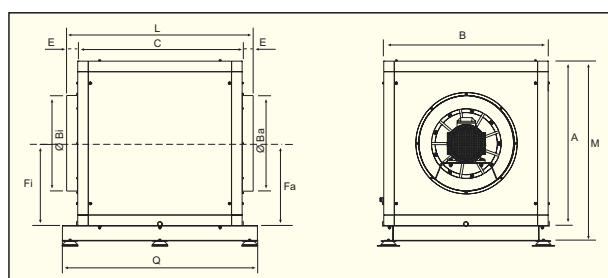
Performance curves



Dimensions in mm



Type	A	B	C	ØD	E
CVA□/4-700/200	400	270	530	200	65
CVA□/4-1200/250	450	320	580	250	65
CVA□/4-1500/250	500	370	630	250	65
CVA□/4-2600/355	550	390	680	355	65
CVA□/4-3800/355	650	490	780	355	65
CVA□/4-5600/400	800	640	930	400	65



Type	A	B	C	E	L	M	Q	ØBi	ØBa	Fi	Fa
CVAT/4-9000/500	860	860	860	55	970	940	1020	500	500	430	430
CVAT/6-6000/500	860	860	860	55	970	940	1020	500	500	430	430
CVAT/6-10000/630	920	920	920	55	1030	1000	1080	630	630	460	460
CVAT/6-14000/630	980	980	980	55	1090	1060	1140	630	630	490	490
CVAT/6-17000/710	1037	1037	1037	55	1147	1117	1197	710	710	518,5	518,5



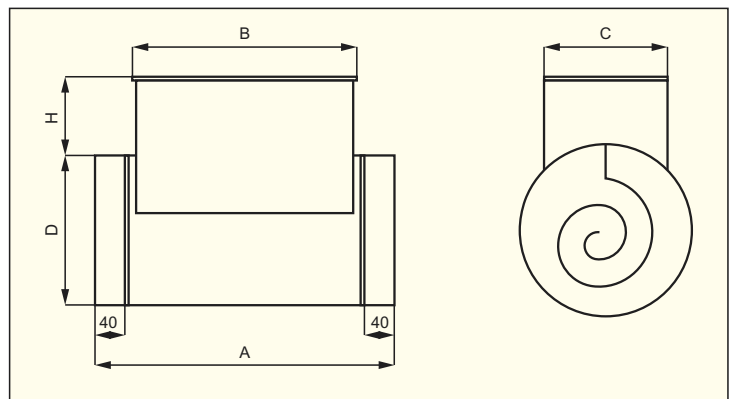
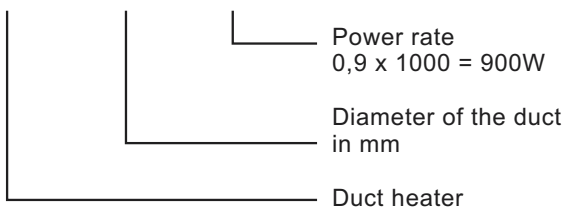
### Construction

Duct heaters designed for installation directly in ventilation ducts (Ø100 to 400mm). Casing in welded steel sheet, powder coated. The heating elements are designed in stainless material (SS2337). Duct heaters should not be dimensioned for higher outlet temperature than 40°C. The air speed through the heaters should not be lower than 1,5m/s.

Wiring diagram, see page 236, 237.

### Model numbering system

**DH - 125 / 09**



Type	Motor power kW	Voltage V	Dimensions in mm					Number of element rows	Article number
			A	B	C	D	H		
DH-100/03	0,3	230	380	280	98	100	105	1 x 300W	113 981 100
DH-125/09	0,9	230	380	280	105	125	105	3 x 300W	113 981 150
DH-160/15	1,5	230	380	280	135	160	105	3 x 500W	113 981 200
DH-160/20	2,0	230	380	280	135	160	105	4 x 500W	113 981 250
DH-200/20	2,0	230	400	300	165	200	105	4 x 500W	113 981 300
DH-200/30	3,0	3x400	400	300	165	200	105	3 x 1000W	113 981 330
DH-200/45	4,5	3x400	400	300	165	200	105	3 x 1500W	113 981 350
DH-200/60	6,0	3x400	400	300	165	200	105	3 x 2000W	113 981 360
DH-250/30	3,0	3x400	400	300	195	250	75	3 x 1000W	113 981 430
DH-250/45	4,5	3x400	400	300	195	250	75	3 x 1500W	113 981 450
DH-250/60	6,0	3x400	400	300	195	250	75	3 x 2000W	113 981 460
DH-250/90	9,0	3x400	400	300	195	250	75	6 x 1500W	113 981 490
DH-315/30	3,0	3x400	400	300	230	315	75	3 x 1000W	113 981 530
DH-315/45	4,5	3x400	400	300	230	315	75	3 x 1500W	113 981 550
DH-315/60	6,0	3x400	400	300	230	315	75	3 x 2000W	113 981 560
DH-315/90	9,0	3x400	400	300	230	315	75	6 x 1500W	113 981 590
DH-315/120	12,0	3x400	400	300	230	315	75	6 x 2000W	113 981 592
DH-355/60	6,0	3x400	440	340	230	355	75	3 x 2000W	113 981 660
DH-355/90	9,0	3x400	440	340	230	355	75	3 x 3000W	113 981 690
DH-355/120	12,0	3x400	440	340	230	355	75	6 x 2000W	113 981 692
DH-355/150	15,0	3x400	340	230	355	355	75	3x2kW + 3x3kW	113 981 694
DH-400/60	6,0	3x400	340	230	400	400	75	3 x 2000W	113 981 788
DH-400/90	9,0	3x400	440	340	230	400	75	3 x 3000W	113 981 790
DH-400/120	12,0	3x400	440	340	230	400	75	6 x 2000W	113 981 792
DH-400/150	15,0	3x400	440	340	230	400	75	3x2kW + 3x3kW	113 981 795
DH-400/180	18,0	3x400	400	300	230	400	75	6 x 3000W	113 981 797

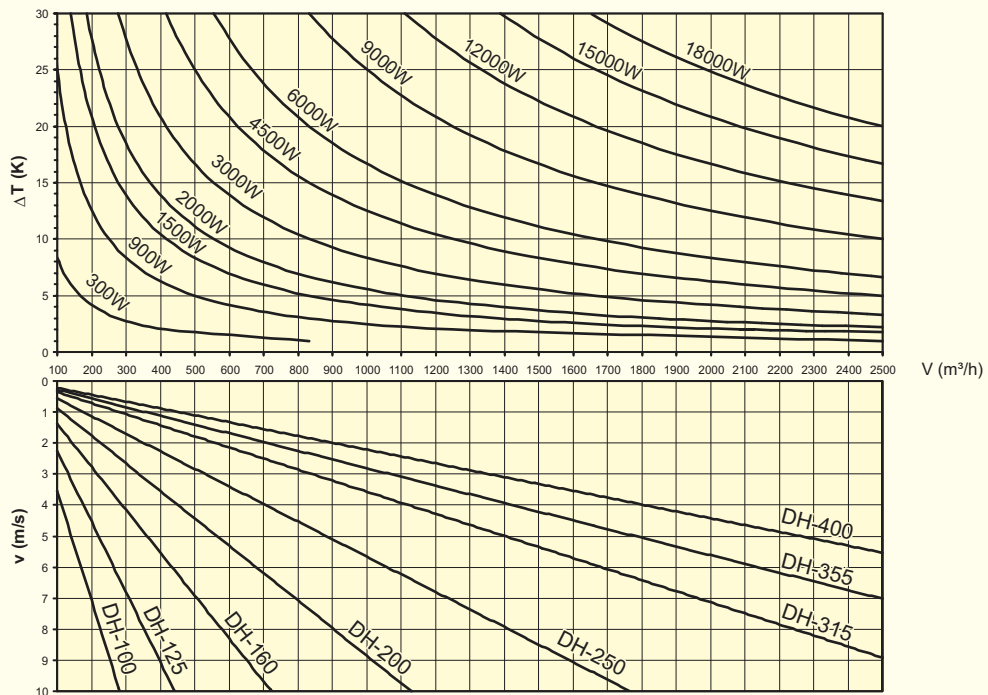
### Accessories



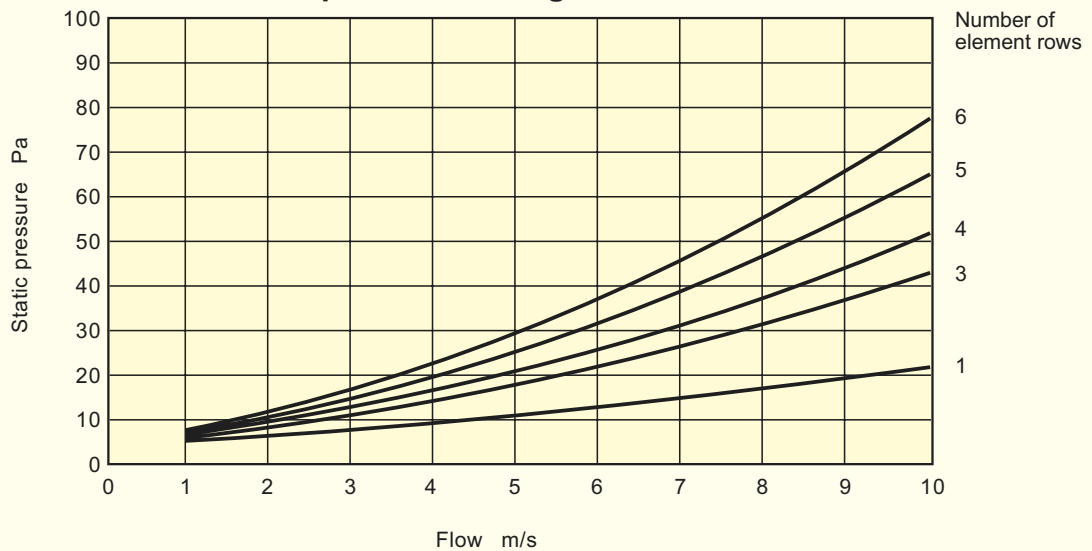
Thermostat  
TS, TK  
page 231



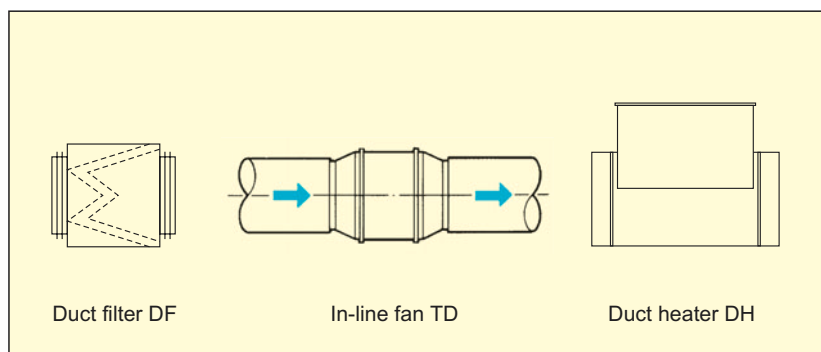
### Selection of duct heater DH



### Loss of air pressure through duct heater DH



### Recommended assembly



### Calculation of power requirement

$$P = Q \cdot 0,36 \cdot \Delta T$$

P - Power [W]

Q - Flow [m<sup>3</sup>/h]

$\Delta T$  - rise in temperature [C]



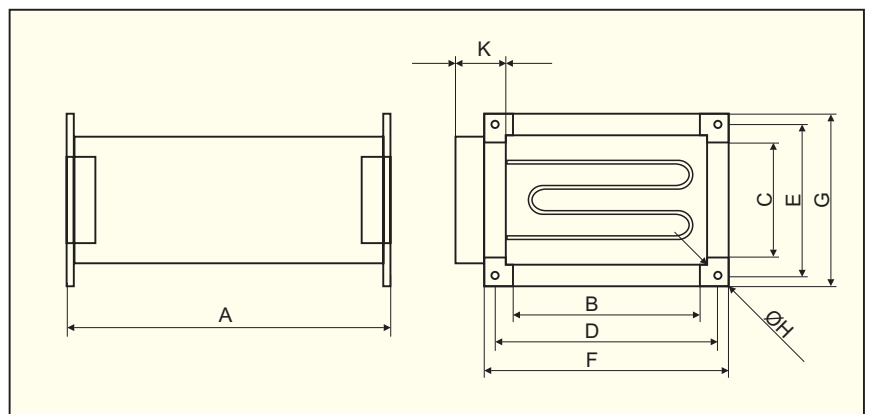
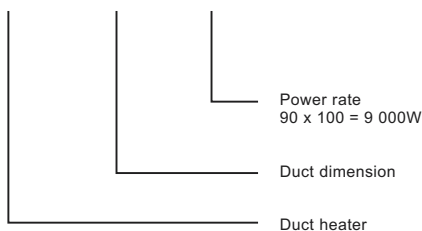
## Construction

Duct heaters designed for installation directly in rectangular ventilation ducts. Casing in welded steel sheet and powder coated. The heating radiators are designed in stainless material (SS2337). Duct heaters have as a standard an automatic and a manual thermal protection. The duct heaters should not be dimensioned for higher outlet temperature than 40°C. The air speed through the heaters should not be lower than 1,5m/s.

Wiring diagram, see page 236, 237.

## Model numbering system

### RH - 40/20 - 90



## Data

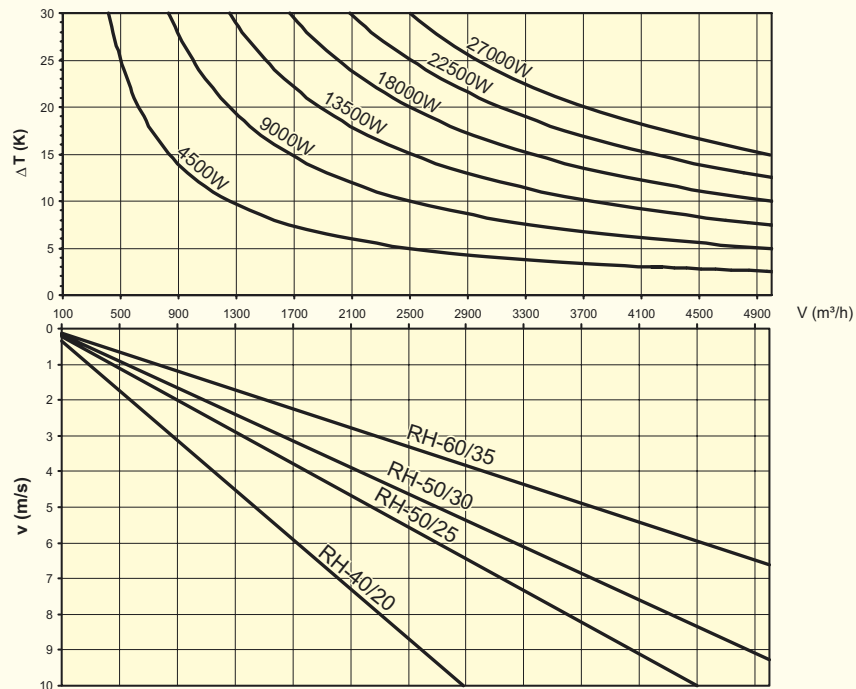
Type	Motor power kW	Voltage V	Dimensions in mm									Number of element rows	Article number
			A	B	C	D	E	F	G	ØH	K		
RH-40/20-45	4,5	3x400	312	398	198	420	220	440	240	9	90	3x1500W	113 982 424
RH-40/20-90	9,0	3x400	502									6x1500W	113 982 425
RH-50/25-90	9,0	3x400	322	498	248	520	270	540	290	9	90	6x1500W	113 982 525
RH-50/25-180	18,0	3x400	532									6x3000W	113 982 528
RH-50/30-135	13,5	3x400	532	500	298	522	320	540	338	9	90	3x3000W+3x1500W	113 982 537
RH-50/30-180	18,0	3x400	532	500	298	522	320	540	338	9	90	6x3000W	113 982 538
RH-60/35-225	22,5	3x400	682	600	348	622	370	640	338	9	90	3x1500W+6x3000W	113 982 635
RH-60/35-270	27,0	3x400	682	600	348	622	370	640	388	9	90	9x3000W	113 982 638

## Accessories

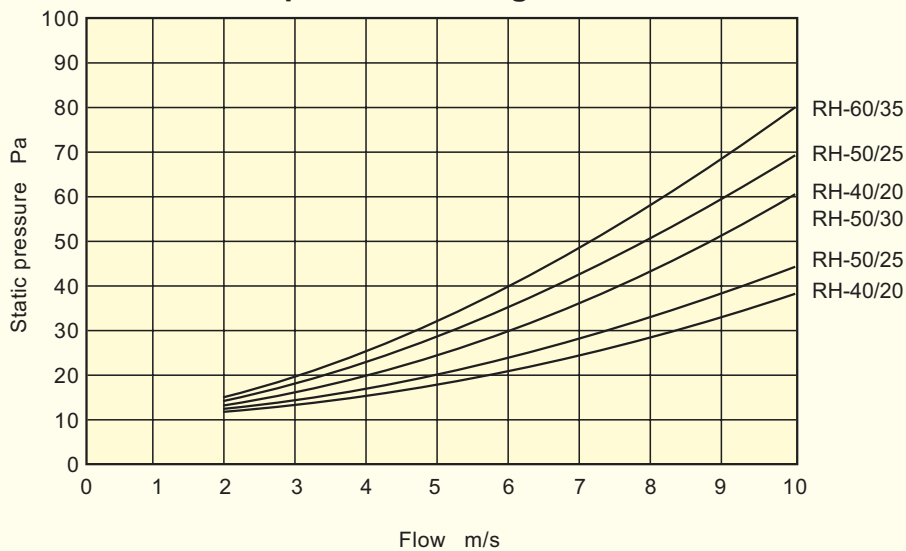


Thermostat  
TS, TK  
page 231

### Selection of duct heater RH



### Loss of air pressure through duct heater RH



### Calculation of power requirement

$$P = Q \cdot 0,36 \cdot \Delta T$$

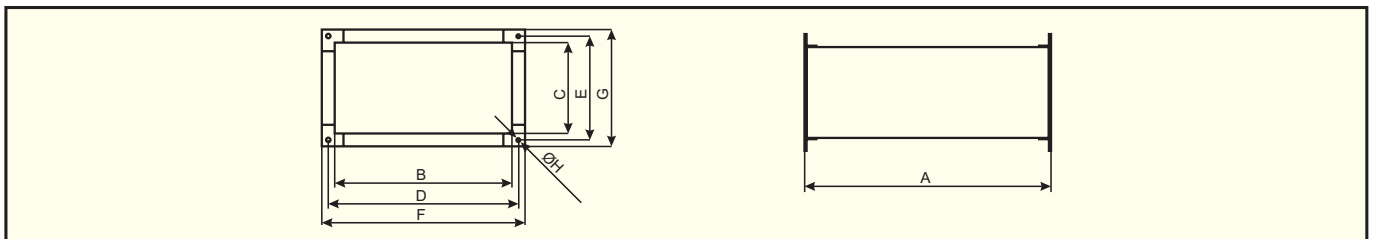
P - Power [W]

Q - Flow [m<sup>3</sup>/h]

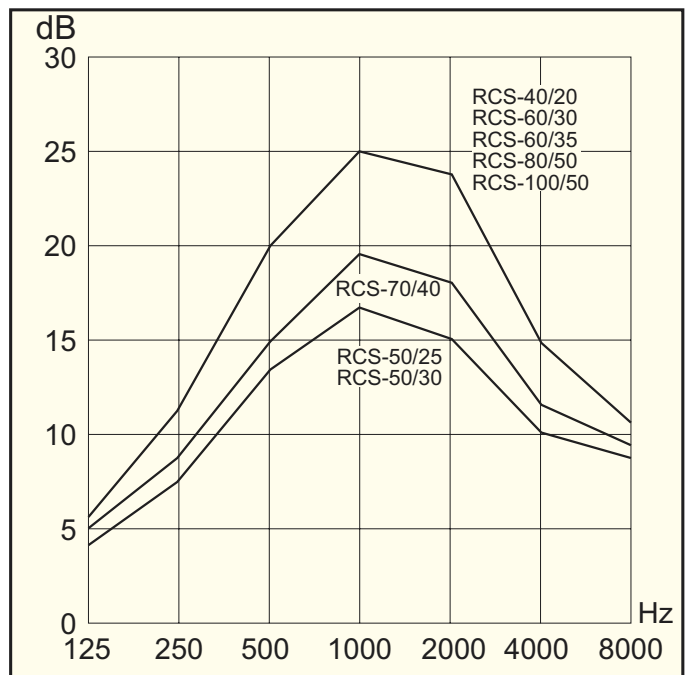
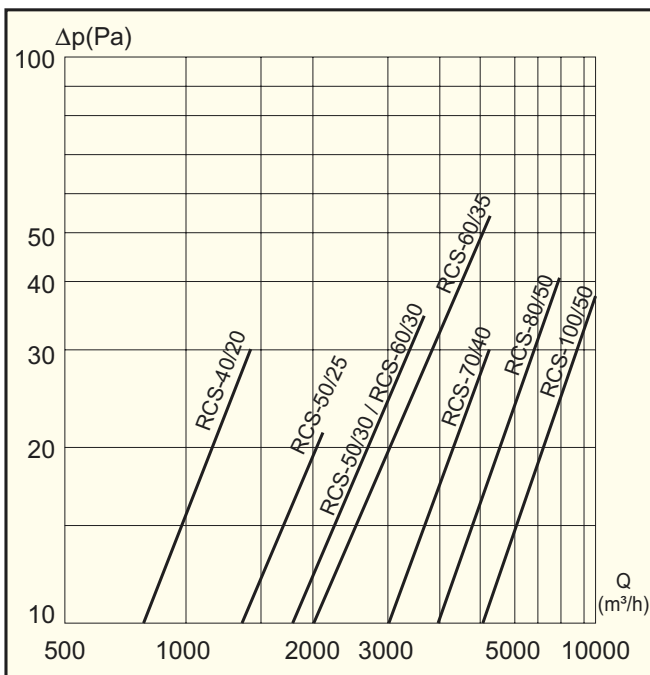
$\Delta T$  - rise in temperature [C]



Silencer for duct systems adapted for IBF.



Type	A	B	C	D	E	F	G	ØH	Art. number
RCS-40/20	1000	400	198	440	220	440	240	9	213 985 910
RCS-50/25	1000	500	248	520	270	540	290	9	213 985 920
RCS-50/30	1000	500	298	520	320	540	340	9	213 985 930
RCS-60/30	1000	600	298	620	320	640	340	9	213 985 940
RCS-60/35	1000	600	348	620	370	640	390	9	213 985 950
RCS-70/40	1000	700	398	720	420	740	440	9	213 985 960
RCS-80/50	1000	800	498	820	520	840	540	9	213 985 970
RCS-100/50	1000	1000	498	1020	520	1040	540	9	213 985 980

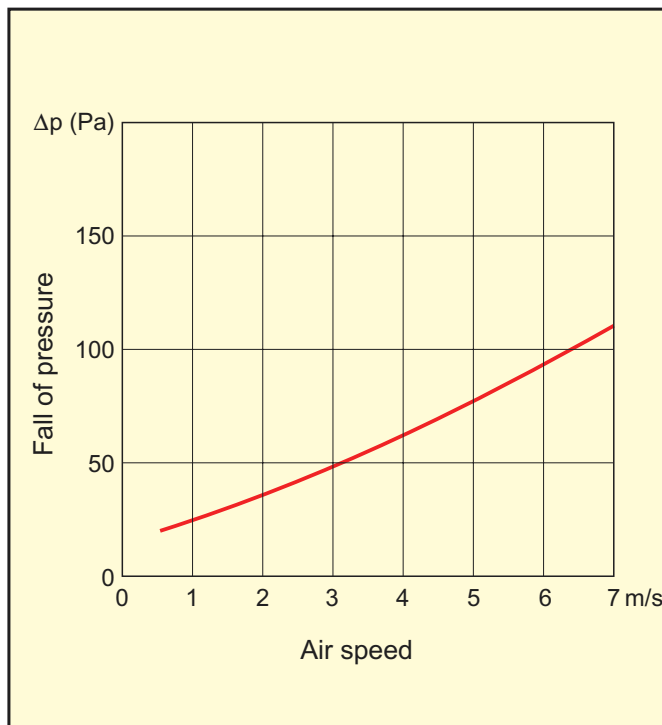




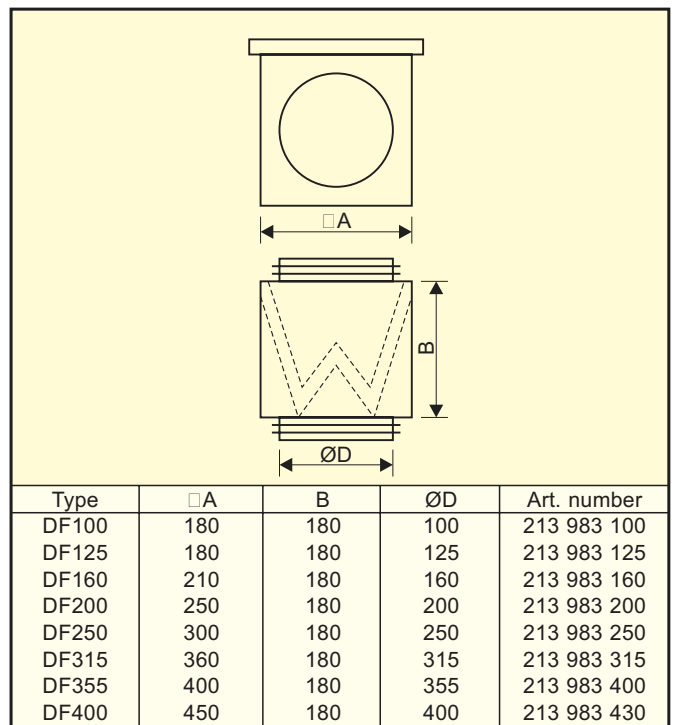
**Construction**

Duct filter DF adapted to cylindrical ventilation ducts in standard dimensions (100 - 400 mm). Casing in powder coated steel sheet with rubber packed sleeve couplings and closing with clamp lock. Standard RAL9010. Filter insert class EU3. Duct filters in other dimensions, materials, and classes can be delivered on request.

**Performance curve**



**Dimensions in mm**

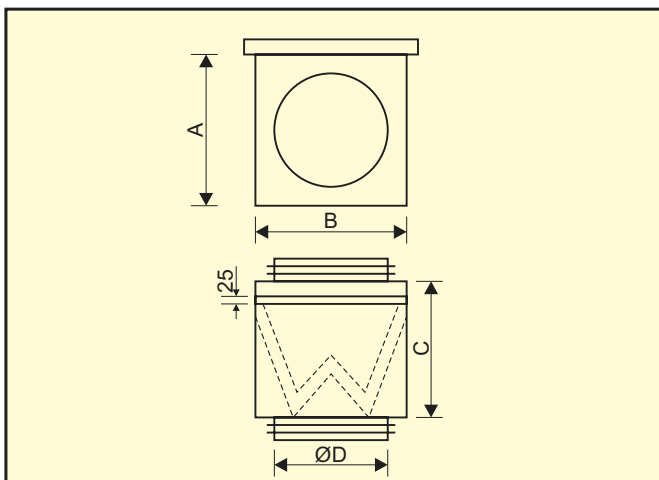




### Construction

Duct filter DFK adapted to cylindrical ventilation ducts in standard dimensions (100-560 mm). Casing in powder coated steel sheet with rubber packed sleeve couplings and closing with clamp lock. Standard RAL9010. Bag insert EU3, EU5 or EU7.

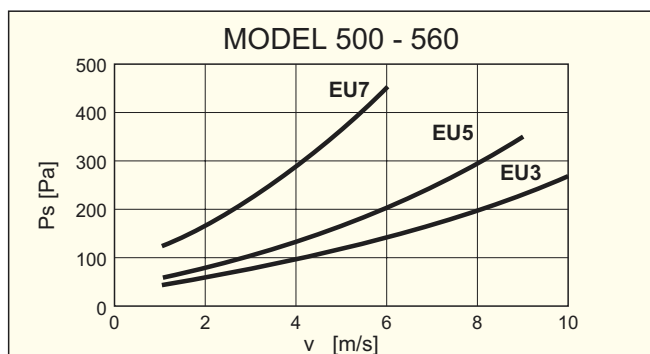
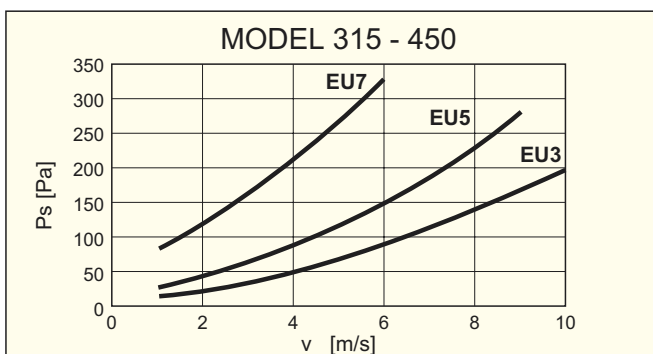
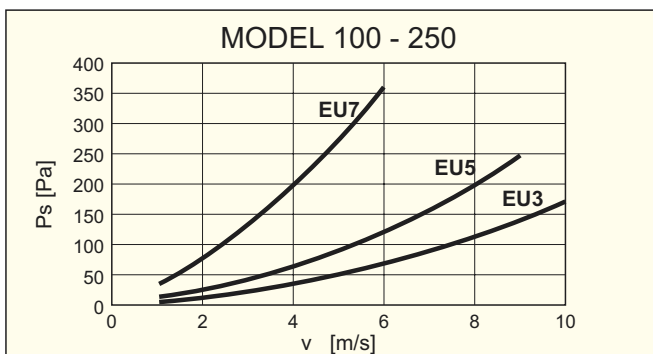
### Dimensions in mm



Type	A	B	C	ØD	Art. num.
DF-K 100	290	290	450	100	213983600
DF-K 125	290	290	450	125	213983610
DF-K 160	290	290	450	160	213983620
DF-K 200	290	290	450	200	213983630
DF-K 250	290	290	450	250	213983640
DF-K 315	493	595	600	315	213983650
DF-K 355	493	595	600	355	213983660
DF-K 400	493	595	600	400	213983670
DF-K 450	493	595	600	450	213983680
DF-K 500	595	595	600	500	213983690
DF-K 560	595	595	600	560	213983700

Type	Filter class		
	EU3	EU5	EU7
DF-K 100 ... DF-K 250	213983800	213983805	213983810
DF-K 315 ... DF-K 450	213983830	213983835	213983840
DF-K 500 ... DF-K 560	213983845	213983850	213983855

### Performance curves

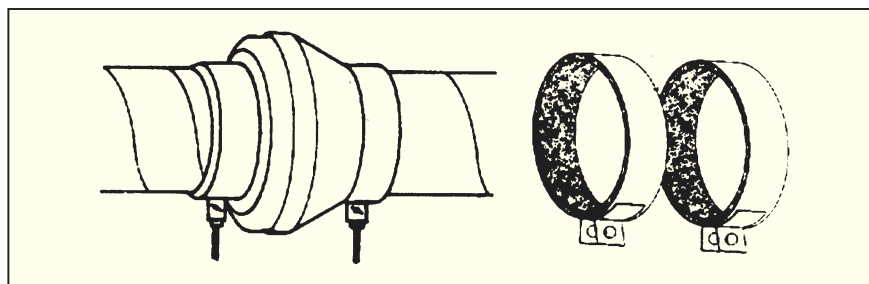


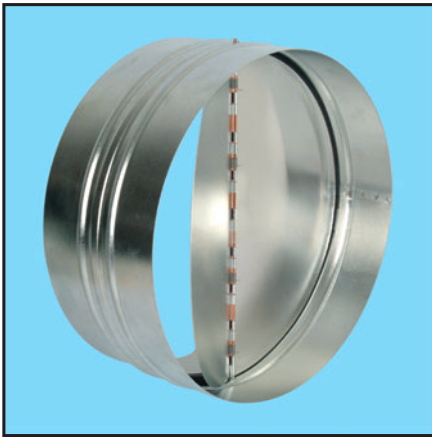


**ACOP PL**

Antivibration coupling for circular ventilation ducts.

Type	Nominal diameter [mm]	Article number
ACOP PL 100	100	112930810
ACOP PL 125	125	112930815
ACOP PL 160	160	112930820
ACOP PL 200	200	112930825
ACOP PL 250	250	112930830
ACOP PL 315	315	112930835
ACOP PL 355	355	112930840
ACOP PL 400	400	112930845

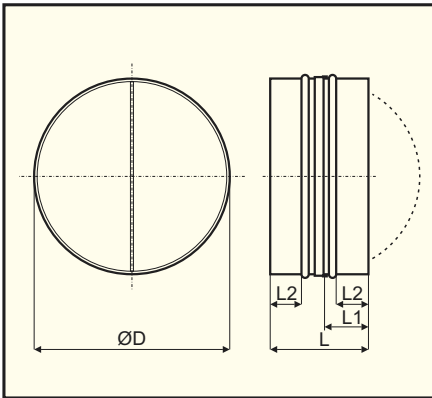




## Construction

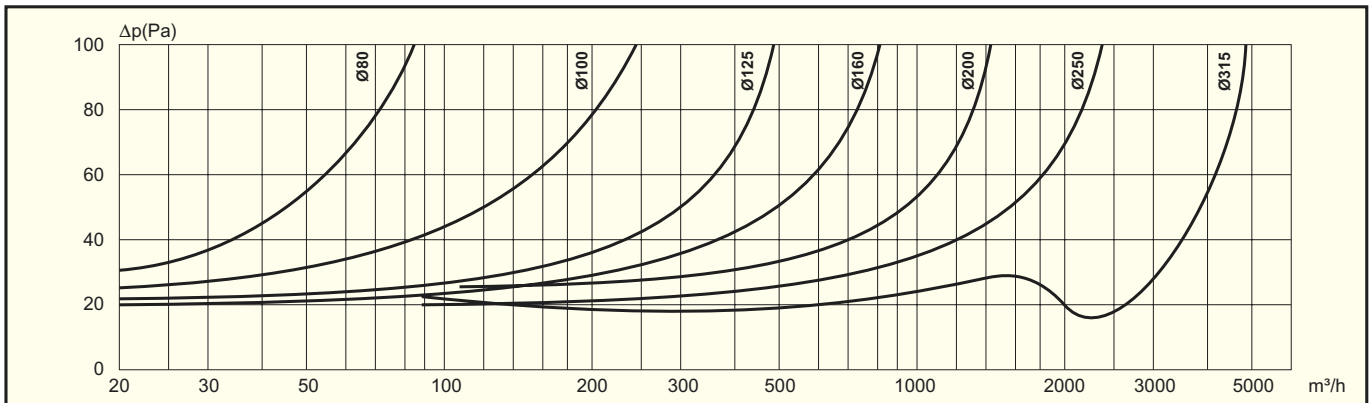
Backdraught shutters CAR are designed for installation in circular ventilation ducts.

## Dimensions in mm

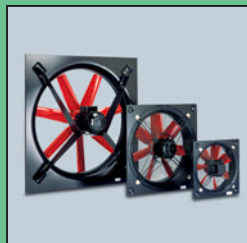


Type	ØD	L	L1	L2	Art. number
CAR-100	100	80	32		112 930 100
CAR-125	125	100	42		112 930 125
CAR-150	150	120	52		112 930 150
CAR-160	160	120	52		112 930 160
CAR-200	200	140	62		112 930 200
CAR-250	250	140	62		112 930 250
CAR-315	315	140	62	45	112 930 315

## Performance curves







In-Line Fans

Axial-flow Fans Wall Versions

Axial-flow Fans Cased Versions

Roof Fans

Fans "ATEX"

Centrifugal Fans VISP/VASP

Centrifugal Fans

Side Channel Blowers

Chip Extractors

Domestic Fans

Accessories

Electric Diagrams

General Information

Index

<b>HXM</b>	<b>30</b>
<b>COMPACT</b>	<b>31</b>
<b>AFW</b>	<b>40</b>



**Construction**

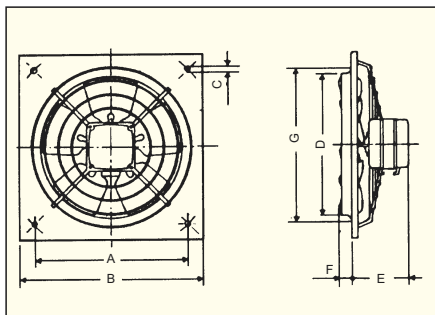
Axial-flow fan for wall mounting. Impeller of punched aluminium sheet, wall plate in galvanized steel sheet. Can be mounted in various directions.

**Motor**

220-240V, 50Hz single-phase shade pole motor with self-lubricating bearing. Enclosure IP40 or IP00 (HXM-400). Insulation class B. Variable speed control with transformer or electronic regulator. Thermal protection may be supplied on request.

**Data**

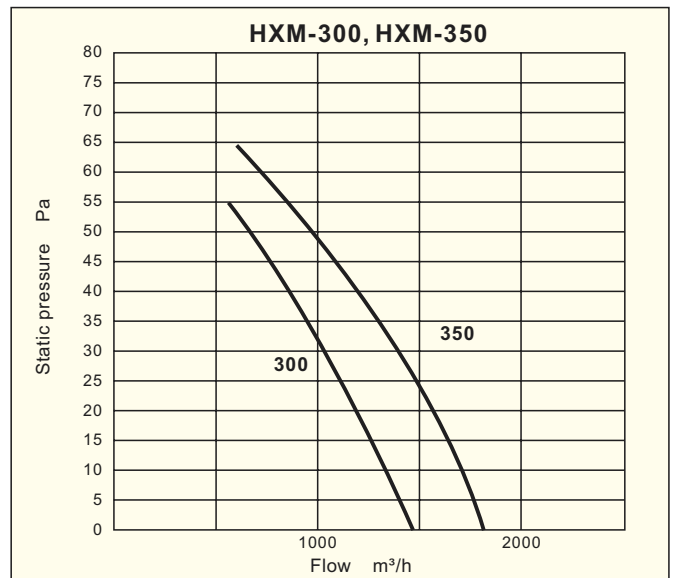
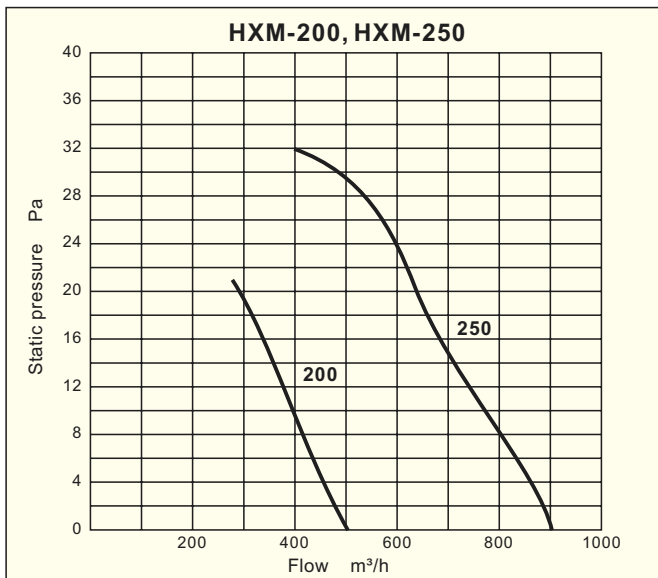
Type	Speed rpm	Motor power W	Maximum current A	Maximum duty m <sup>3</sup> /h	Sound level dB(A)	Weight kg	Article number
HXM-200	1 300	32	0,22	500	36	1,7	112 150 101
HXM-250	1 300	46	0,31	900	42	2,5	112 150 201
HXM-300	1 300	55	0,40	1 400	48	3,1	112 150 301
HXM-350	1 300	65	0,50	1 800	53	4,4	112 150 401



**Dimensions in mm**

Type	A	B	C	D	E	F	G
HXM-200	222,0	266	9,0	205	82,5	19,0	211
HXM-250	275,5	333	9,0	255	92,5	31,0	261
HXM-300	336,5	400	10,5	305	92,5	35,5	311
HXM-350	390,0	465	10,5	361	105,5	34,5	371

**Performance curves**



**Accessories**



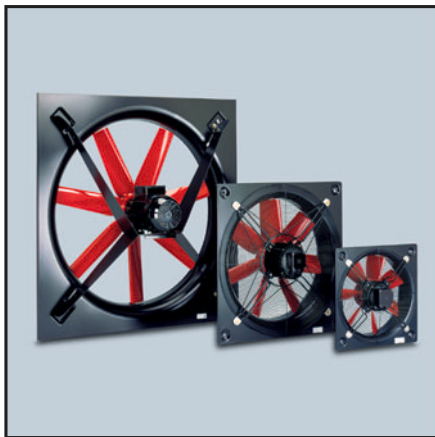
PER-W  
page 68



PER-CN  
page 68



REB  
page 230



HCFT, HCFB

### Construction

Motor with painted cast aluminum casing. Impellers made of injection moulded plastic reinforced with anchored fiberglass, UV stable (HCFT/HCFB), or die casted in aluminium (HCBT/HCBB). Dynamic balanced according to ISO 1940. Adjustable impellers in plastic or aluminium can be supplied on request. For wall installation the fan can be mounted on a plate formed from a steel sheet stamping and is equipped with a steel wire finger proof guard. The motor and the unique construction of the impeller give compact solidity and allow wall- and duct-mounting in all variable positions.

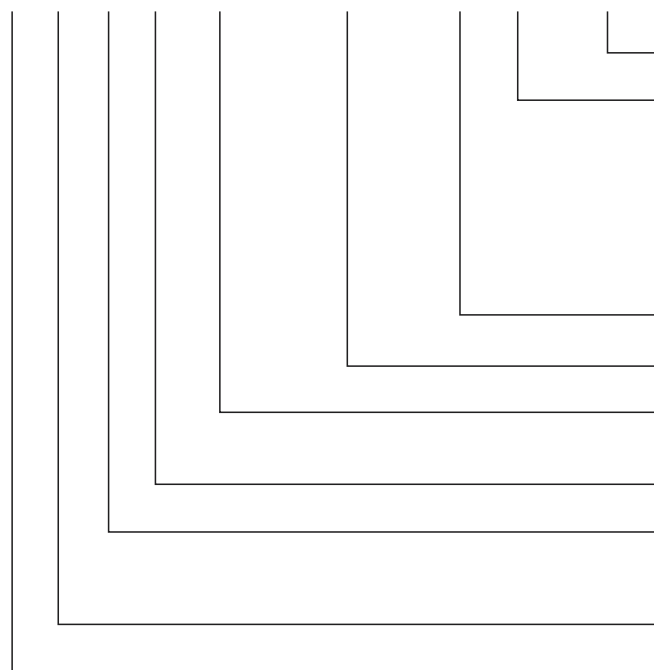
### Motor

380–415V, 50Hz three-phase alt. 220–240V, 50Hz single-phase asynchronous motor, thermal protection with outgoing leads to the terminal box. Enclosure IP65 according to UNE 20–11 and IEC 34–5 (waterproof, dustproof design). Insulation class F for a maximum

environmental temperature of +70°C. The motor is designed according to IEC 34–1 and is dynamic balanced according to ISO 1940. Speed controllable by variation of the supply voltage by means of transformer or electric regulator. Special voltage or frequency, improved enclosure and three-phase motors for "Y" resp. "Δ" – running can be supplied on request.

Wiring diagram, see page 234.

### Model numbering system



- Special version
  - A** = air direction motor - impeller for wall mounting
  - B** = air direction impeller - motor, standard for duct mounting
  - Ex** = explosion proof motor EExe II T3
  - L** = weather proof enclosure      **M** = extended lead (830mm long)
  - N** = without frame
  - PN** = deep support without frame
  - S** = motor and impeller only
  - W** = remote terminal box      **X** = support without safety guard
- Blade angle      **H** = high (approx 34°)      **L** = low (approx 22°)
- Nominal diameter in mm
- Speed:    2 = approx 2900rpm 50Hz    4 = approx 1400rpm 50Hz  
           6 = approx 900rpm 50Hz        8 = approx 700rpm 50Hz
- Type of motor:      **T** = three-phase      **B** = single-phase
- Impeller:            **F** = fixed blades impeller, standard  
                           **G** = adjustable blade impellers  
                           **B** = impeller in aluminium
- C** = compact series
- Fan mounting:      **H** = wall mounted      **T** = case duct mounted

### Accessories



PER-W  
page 68



PER-CN  
page 68



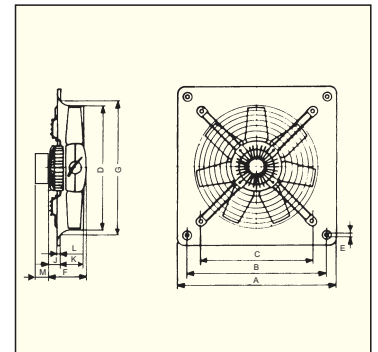
REB  
page 230



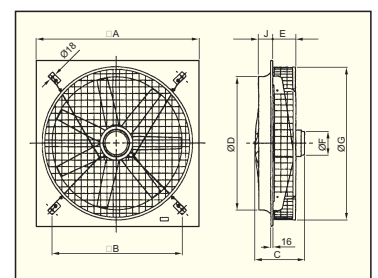
RMB, RMT  
page 230

## Dimensions in mm

Type	A	B	C	ØD	ØE	F				ØG	J				K	L	M	
						/2	/4	/6	/8		/2	/4	/6	/8			HCFT	HCFB
250	315	260	220	254	10	122	122			294	59	59			53	12	40	65
315	400	330	280	315	10		122			329		32			68	12	40	65
355	450	380	315	355	10		129	129		371		45	45		75	12	40	65
400	500	420	355	400	10		129	129		422		40,5	40,5		78	12	40	65
450	560	480	400	450	10		150	150	150	476		48	48	48	91	12	40	65
500	630	560	450	500	10		150	150	150	536		44,5	44,5	44,5	97	12	40	65
560	710	630	510	560	10		218,5	150	150	596		110,5	42	42	98,5	12	40	65
630	800	710	580	630	12		218,5	150	150	674		110,5	41	41	103	12	40	65
710	900	800	636	710	12		218,5	218,5	218,5	733		134	134	134	91,5	16,5	40	65



Type	□	□	Ø	J	E	Ø	C						ØF					
							/4		/6		/8		/4		/6		/8	
							L	H	L	H	L	H	L	H	L	H	L	H
HCFT-800	1000	800	800	92	189	926	345	380	310	345	310	345	181	203	162	181	162	181
HCFT-1000	1250	1000	1000	110	174	1154	380	380	345	380	345	380	203	203	181	203	181	203



\* blade angle H = high (approx 34°)  
L = low (approx 22°)

## Acoustic characteristics Sound pressure level dB(A)

### 2-POLE

Type \ Hz	63	125	250	500	1000	2000	4000	8000
2-250	50	61	68	73	74	74	67	58

### 4-POLE

Type \ Hz	63	125	250	500	1000	2000	4000	8000
4-250	44	50	57	58	60	59	53	42
4-315	37	47	57	61	66	63	57	48
4-355	39	59	56	65	70	66	61	52
4-400	41	62	58	67	74	70	66	43
4-450	40	65	62	68	77	71	67	58
4-500	50	68	67	73	79	77	72	61
4-560	47	72	70	82	82	79	74	65
4-630	52	75	73	81	86	83	77	68
4-710	56	78	76	84	89	86	81	71
4-800/L	61	83	81	89	95	91	86	77
4-800/H	64	86	84	92	98	94	89	80
4-1000/L	68	90	88	96	102	98	93	84
4-1000/H	71	93	91	99	105	101	96	87

### 6-POLE

Type \ Hz	63	125	250	500	1000	2000	4000	8000
6-355	39	45	46	52	53	54	48	37
6-400	34	46	49	59	60	60	53	41
6-450	35	50	52	61	64	62	56	45
6-500	39	52	55	63	67	65	59	49
6-560	41	55	60	67	71	70	64	53
6-630	43	59	62	70	71	69	67	56
6-710	51	65	68	77	80	79	73	62
6-800/L	56	70	73	82	85	84	78	67
6-800/H	58	72	75	84	87	86	80	69
6-1000/L	63	77	80	89	92	91	85	74
6-1000/H	66	80	83	92	95	94	88	77

### 8-POLE

Type \ Hz	63	125	250	500	1000	2000	4000	8000
8-450	42	42	47	55	57	58	49	39
8-500	42	42	51	56	59	59	52	42
8-560	46	46	55	60	62	62	55	45
8-630	45	48	57	63	63	64	58	46
8-710	57	57	64	71	73	73	65	55
8-800/L	61	61	69	75	77	77	70	60
8-800/H	63	63	71	77	79	79	72	62
8-1000/L	68	68	76	82	84	84	77	67
8-1000/H	72	72	80	86	88	88	81	71

Technical specification HCFT / HCFB

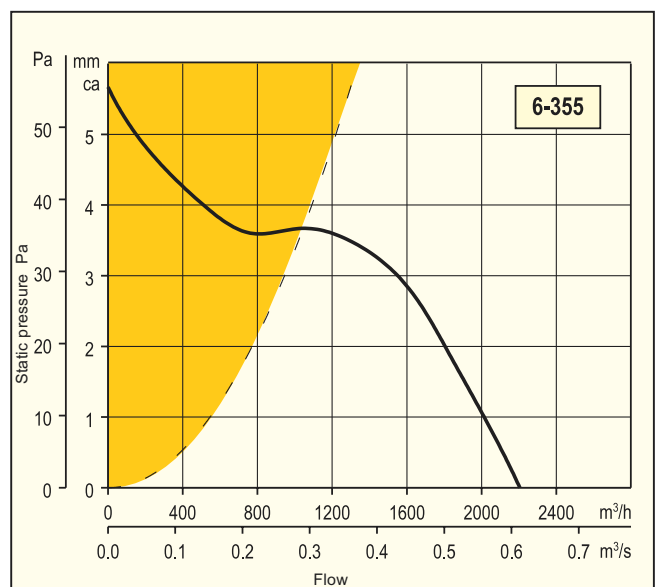
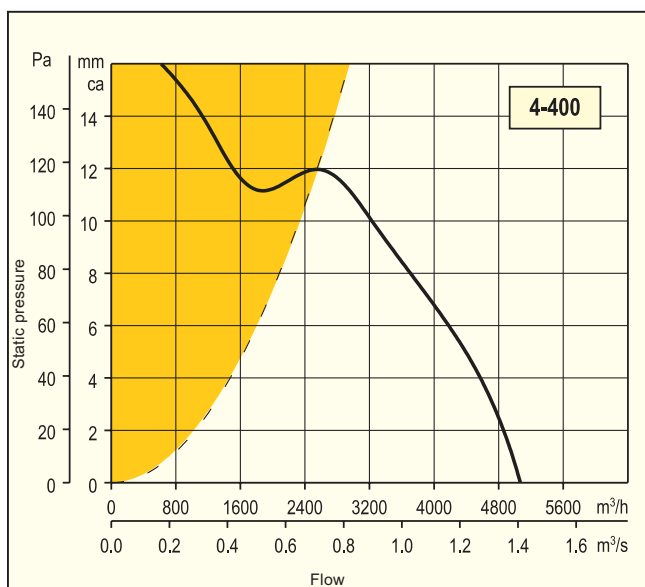
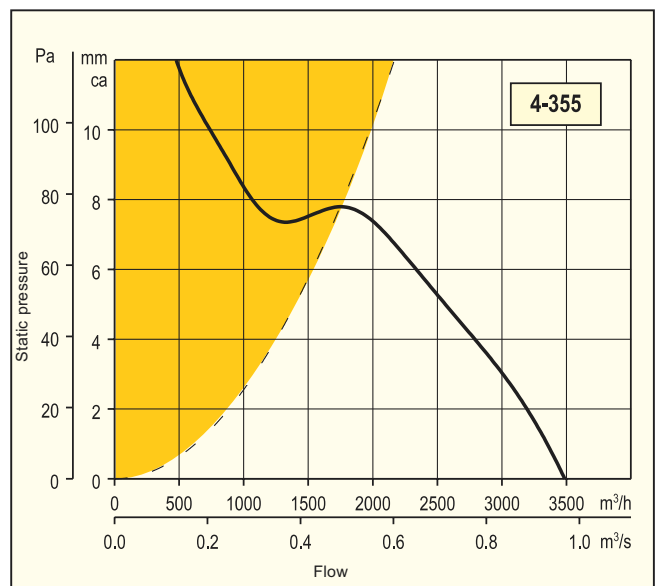
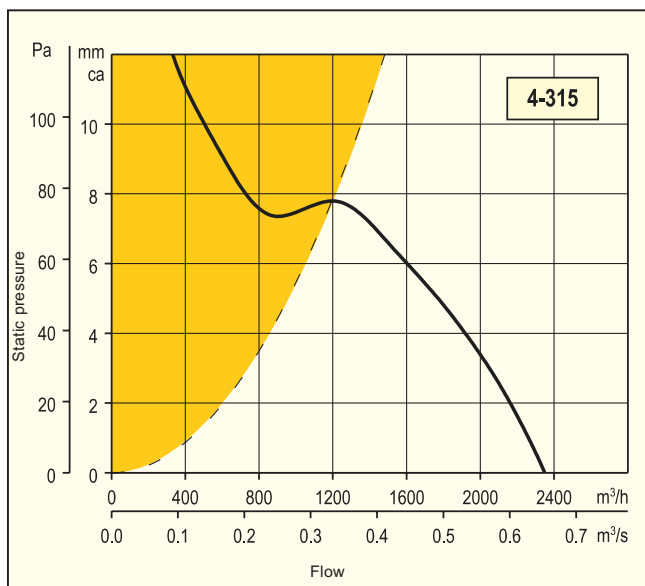
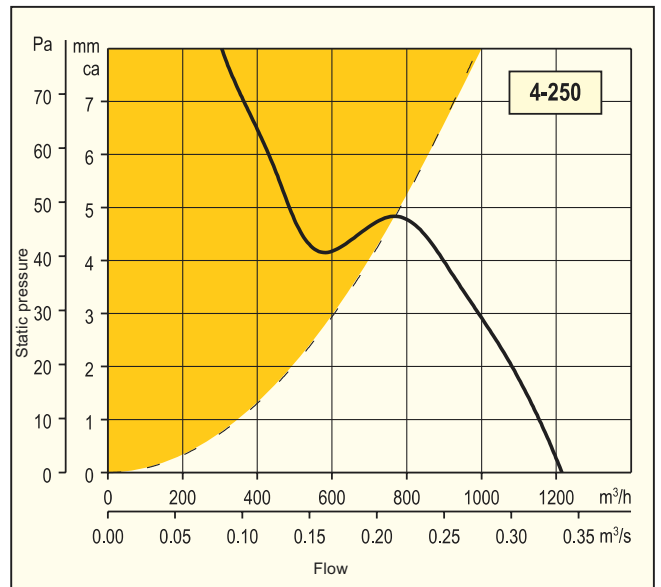
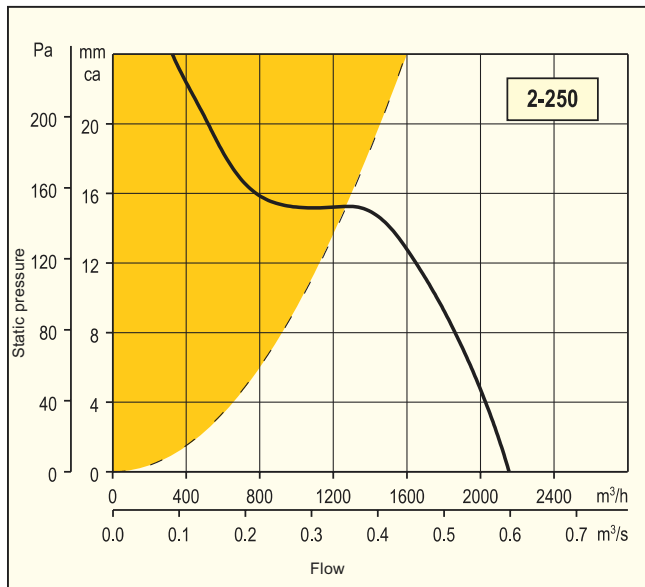
	Number of poles	Type	Speed	Maximum power absorbed W	Maximum current A		Duty at free discharge (max) m³/h	Sound pressure level dB (A)	Weight kg	Speed regulation device	Article number
		Wall version	rpm		230 V	400 V					
SINGLE-PHASE	2	HCFB/2-250/H	2500	250	1,2	—	2160	65	4,4	—	112 300 885
	4	HCFB/4-250/H	1330	60	0,3	—	1215	52	4,4	REB-1	112 300 995
		HCFB/4-315/H	1300	100	0,6	—	2350	54	6,5	REB-1	112 301 051
		HCFB/4-355/H	1225	200	1,0	—	3490	58	7,6	REB-2,5	112 301 151
		HCFB/4-400/H	1200	340	1,6	—	5070	60	9,0	REB-2,5	112 301 251
		HCFB/4-450/H	1290	480	2,3	—	6760	65	13,0	REB-2,5	112 301 361
		HCFB/4-500/H	1290	650	3,0	—	9200	68	15,4	REB-5N	112 301 451
		HCFB/4-560/H	1250	980	4,9	—	12480	71	21,3	REB-5N	112 301 551
	6	HCFB/4-630/H	1200	1700	7,6	—	17060	72	25,0	—	112 301 651
		HCFB/6-355/H	800	90	0,5	—	2210	50	7,6	REB-1	112 303 051
		HCFB/6-400/H	750	110	0,6	—	3400	52	9,0	REB-1	112 303 151
		HCFB/6-450/H	835	220	1,2	—	4550	53	13,0	REB-2,5	112 303 251
		HCFB/6-500/H	840	290	1,6	—	5820	56	15,4	REB-2,5	112 303 351
		HCFB/6-560/H	900	420	2,4	—	7870	59	21,3	REB-2,5	112 303 451
		HCFB/6-630/H	800	510	2,6	—	10750	60	25,0	REB-5N	112 303 551
	8	HCFB/6-710/H	900	1300	5,7	—	17570	66	27,0	—	112 303 651
		HCFB/8-450/H	625	130	0,7	—	3500	48	13,0	REB-1	112 306 251
		HCFB/8-500/H	605	160	0,9	—	4660	49	16,0	REB-1	112 306 351
HCFB/8-560/H		610	240	1,3	—	5990	51	21,3	REB-2,5	112 306 451	
HCFB/8-630/H		585	320	1,7	—	8340	52	25,0	REB-2,5	112 306 551	
		HCFB/8-710/H	625	480	2,4	—	11960	60	27,0	—	112 306 651
THREE-PHASE	2	HCFT/2-250/H	2500	250	—	0,5	2160	65	5,0	—	112 289 035
	4	HCFT/4-250/H	1330	60	—	0,2	1220	52	4,4	RMT-1,5	112 209 895
		HCFT/4-315/H	1300	150	—	0,3	2350	54	6,5	RMT-1,5	112 300 051
		HCFT/4-355/H	1260	200	—	0,5	3490	58	7,6	RMT-1,5	112 300 151
		HCFT/4-400/H	1350	300	—	0,8	5070	60	9,0	RMT-1,5	112 300 251
		HCFT/4-450/H	1230	500	—	1,0	6760	65	13,0	RMT-1,5	112 300 351
		HCFT/4-500/H	1350	660	—	1,6	9200	68	16,0	RMT-3,5	112 300 451
		HCFT/4-560/H	1320	1210	—	2,3	12480	71	22,0	RMT-3,5	112 300 551
		HCFT/4-630/H	1420	1550	—	3,0	17060	72	25,0	—	112 300 651
		HCFT/4-710/H	1350	2200	—	4,0	22150	75	27,0	—	113 300 710
		HCFT/4-800/L	1420	2300	—	3,8	24960	79	37,0	—	112 300 711
		HCFT/4-800/H	1430	4200	—	7,3	32600	82	52,0	—	112 300 715
	6	HCFT/4-1000/L	1400	4400	—	7,1	42000	84	67,0	—	112 300 721
		HCFT/4-1000/H	1460	7200	—	12,0	54000	87	95,0	—	112 300 725
		HCFT/6-355/H	875	90	—	0,3	2210	50	7,6	RMT-1,5	112 302 051
		HCFT/6-400/H	830	110	—	0,3	3400	52	9,0	RMT-1,5	112 302 151
		HCFT/6-450/H	835	190	—	0,5	4550	53	13,0	RMT-1,5	112 302 251
		HCFT/6-500/H	840	250	—	0,5	5820	56	16,0	RMT-1,5	112 302 351
		HCFT/6-560/H	900	410	—	0,9	8260	59	22,0	RMT-1,5	112 302 451
		HCFT/6-630/H	810	460	—	1,2	11000	60	25,0	RMT-1,5	112 302 551
		HCFT/6-710/H	920	1100	—	2,8	16500	66	27,0	—	113 302 701
		HCFT/6-800/L	900	1180	—	2,2	19370	70	31,0	—	112 302 711
		HCFT/6-800/H	940	1220	—	2,5	22000	72	36,0	—	112 302 715
	8	HCFT/6-1000/L	940	1400	—	3,2	28000	75	54,0	—	112 302 721
		HCFT/6-1000/H	950	2330	—	4,4	36400	78	62,0	—	112 302 725
		HCFT/8-450/H	660	130	—	0,4	3500	51	13,0	RMT-1,5	112 304 051
		HCFT/8-500/H	625	150	—	0,4	4660	53	15,4	RMT-1,5	112 304 151
		HCFT/8-560/H	610	230	—	0,6	5990	55	21,3	RMT-1,5	112 304 251
HCFT/8-630/H		635	310	—	0,8	8340	57	25,0	RMT-1,5	112 304 301	
HCFT/8-710/H		670	450	—	1,2	11960	60	27,0	—	112 304 361	
HCFT/8-800/L		710	580	—	1,3	14000	63	63,0	—	112 305 365	
HCFT/8-800/H		690	700	—	1,7	17160	65	64,0	—	112 304 371	
HCFT/8-1000/L		700	720	—	1,7	20490	68	68,0	—	112 304 375	
HCFT/9-1000/H		725	1100	—	2,7	27040	72	71,0	—	112 304 381	

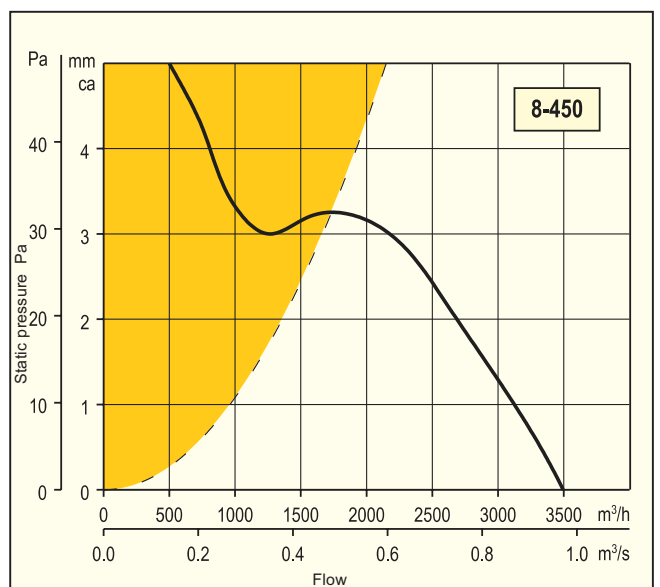
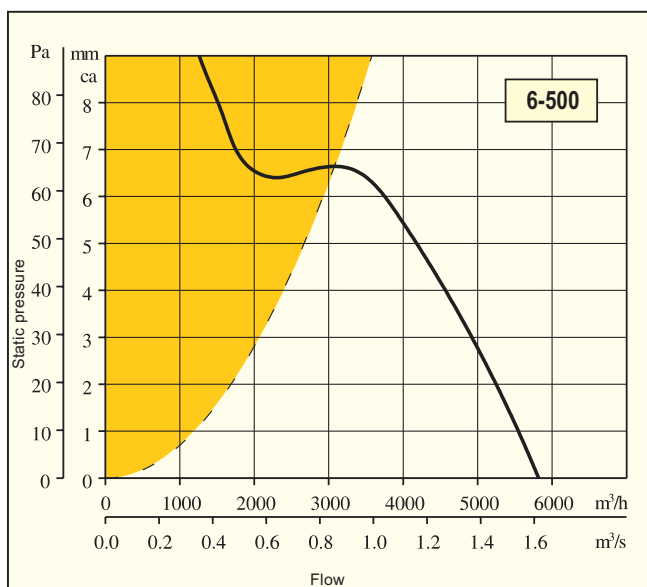
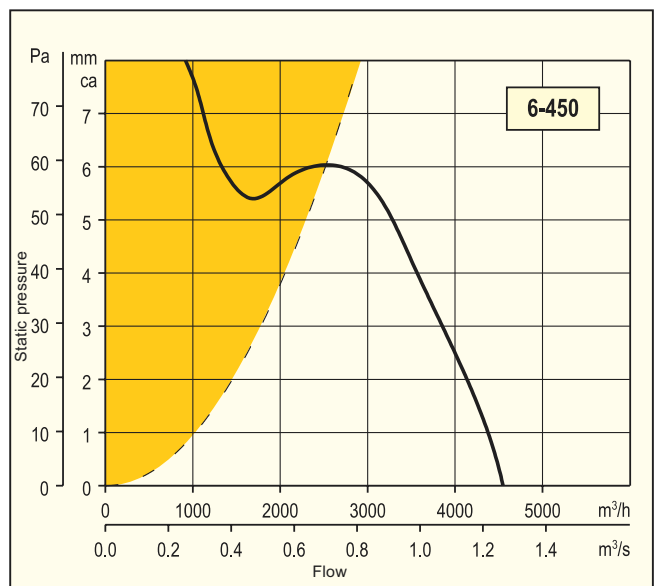
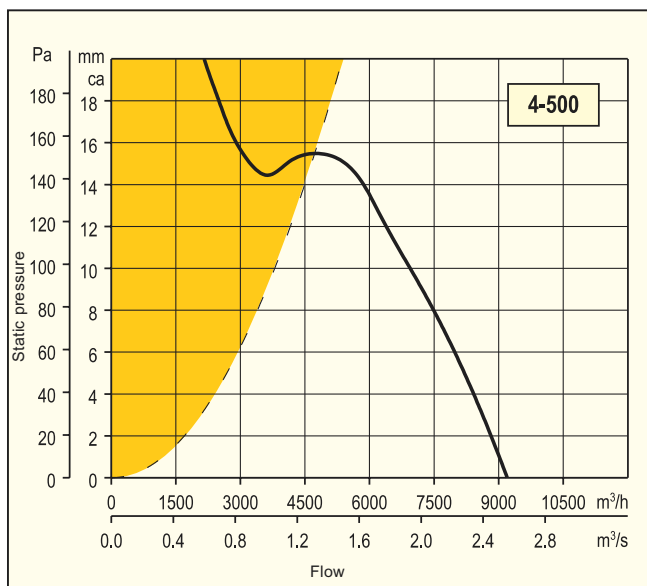
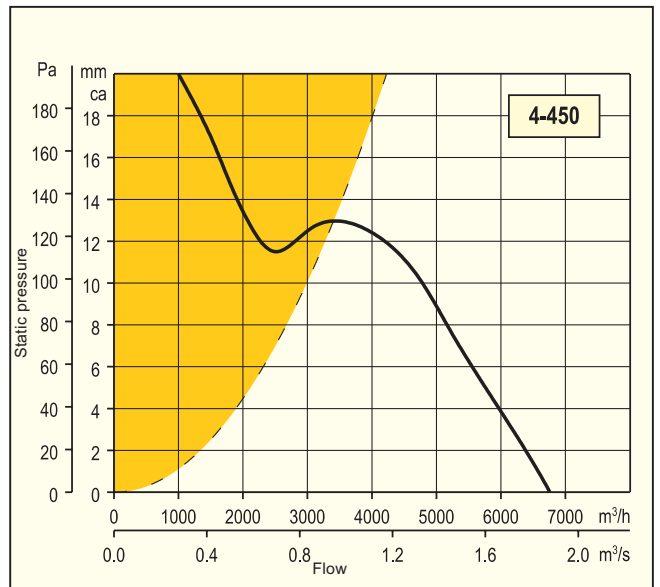
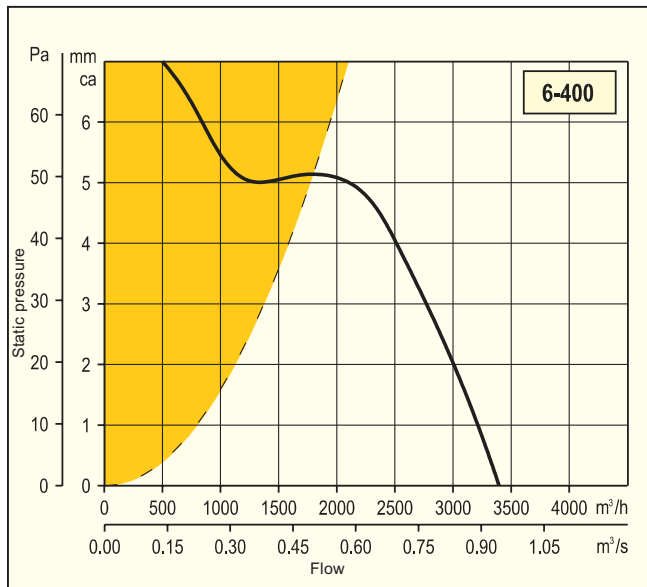


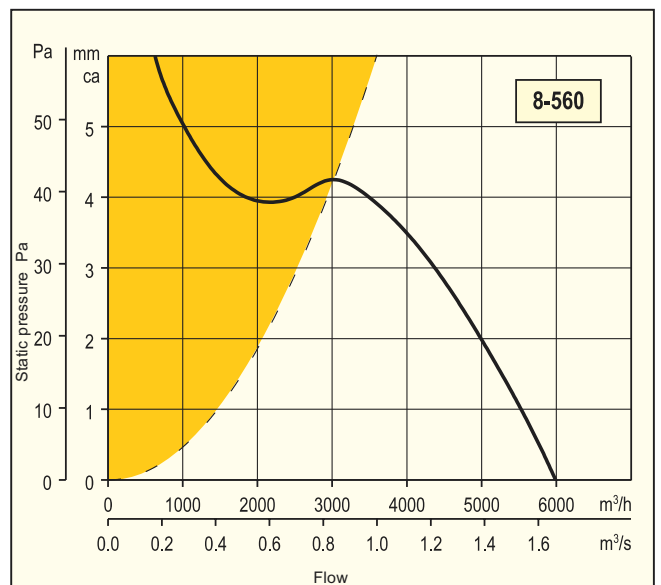
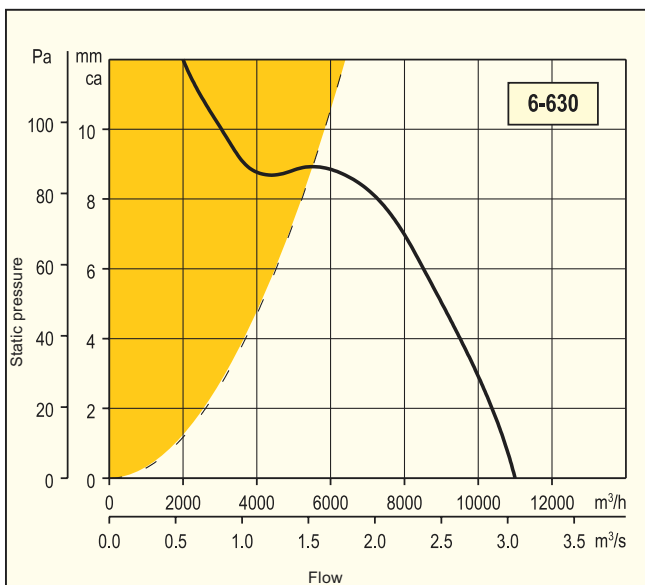
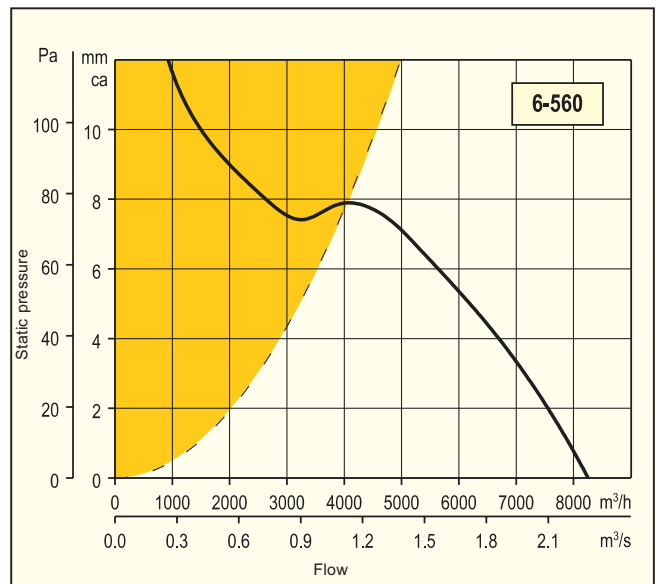
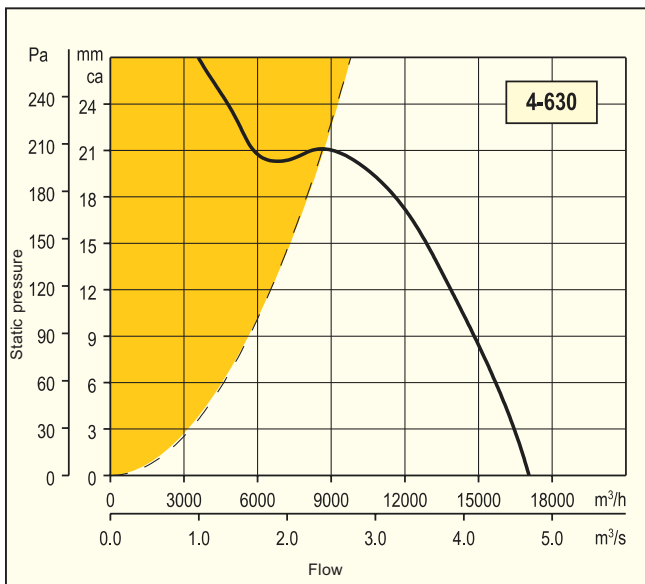
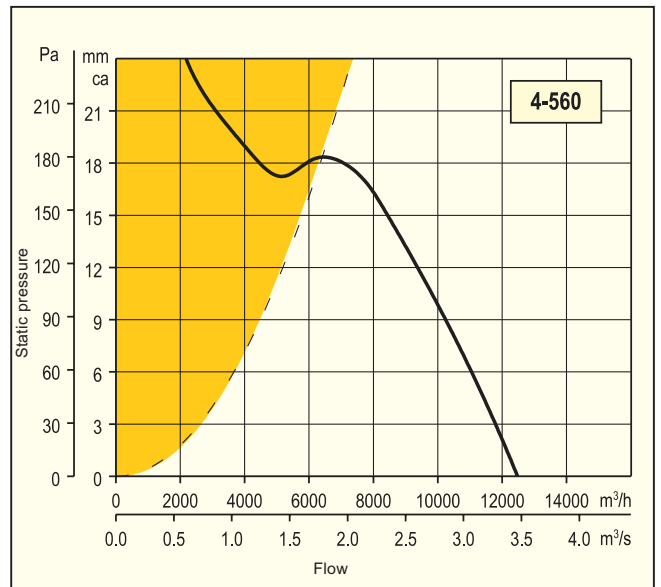
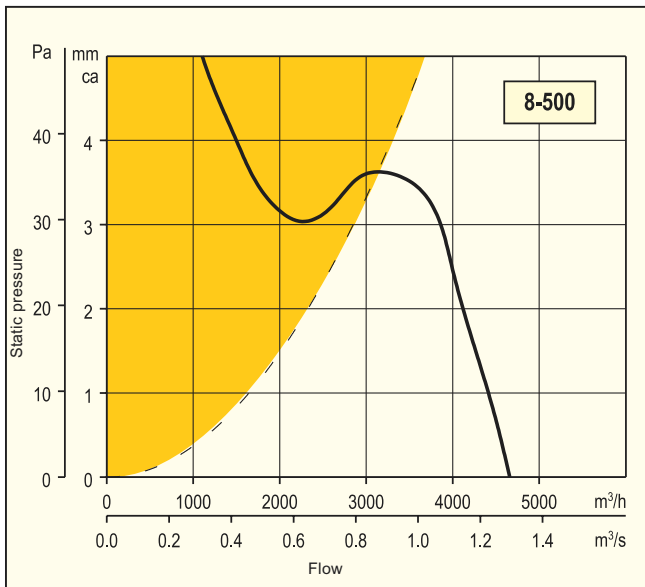
Technical specification HCBT / HCBB

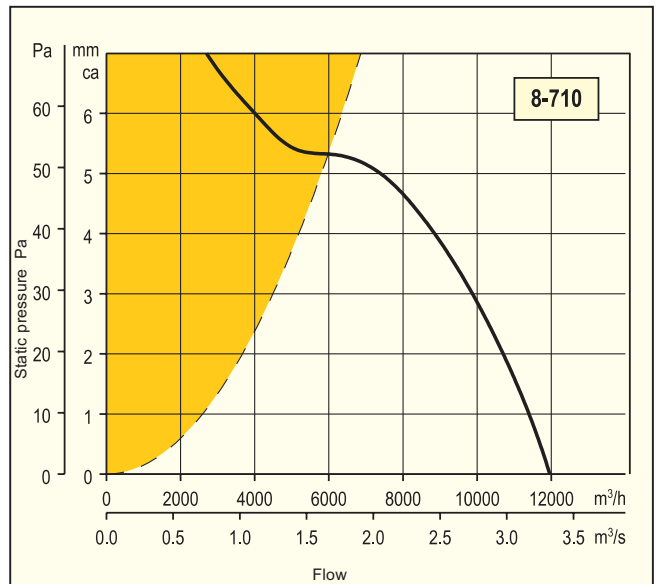
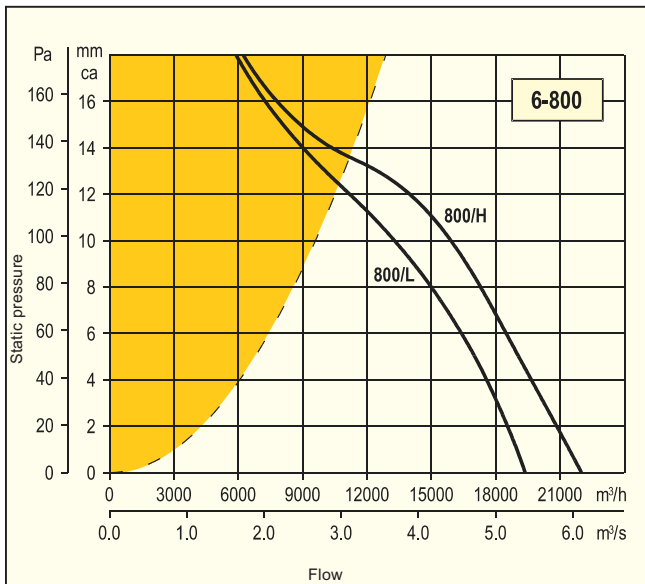
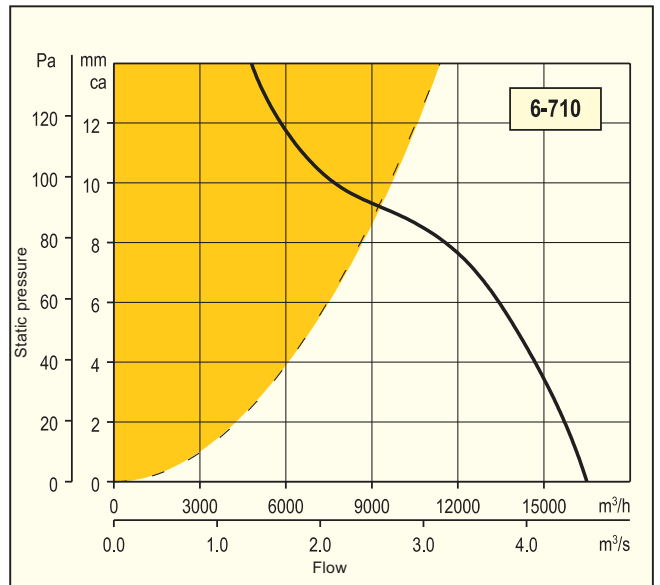
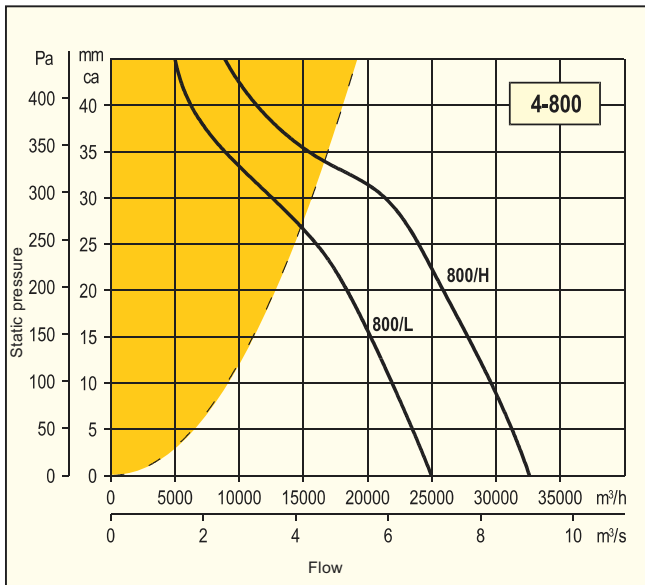
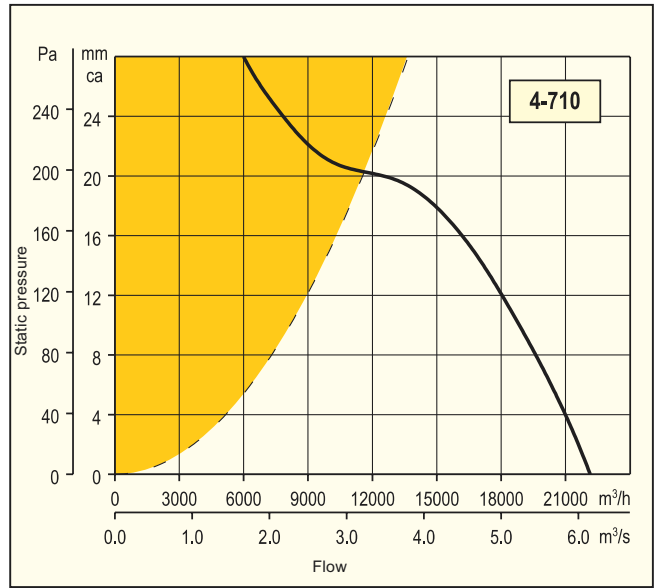
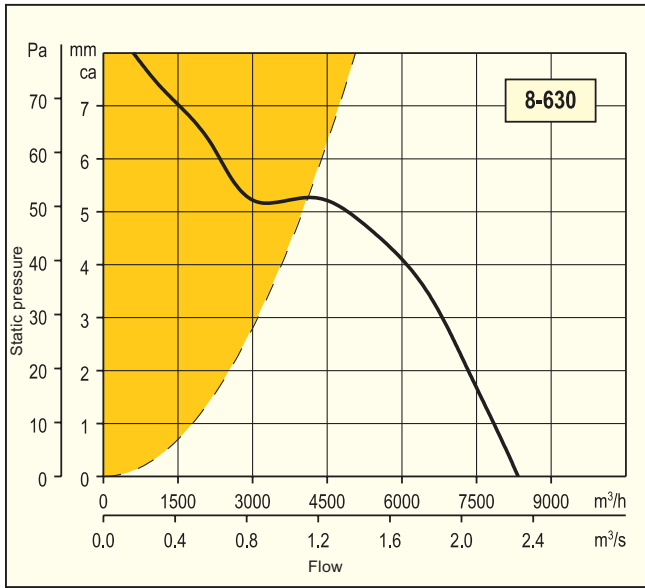
	Number of poles	Type	Speed rpm	Maximum power absorbed W	Maximum current A		Sound pressure level dB (A)	Duty at free discharge (max) m³/h	Weight kg	Speed regulation device	Article number	
		Wall version			230 V	400 V						
SINGLE-PHASE	2	HCBB/2-250/H	2500	250	1,2	—	65	2160	5	—	112 300 881	
	4	HCBB/4-250/H	1330	60	0,3	—	52	1215	5	REB-1	112 300 991	
		HCBB/4-315/H	1300	100	0,6	—	54	2350	7	REB-1	112 301 071	
		HCBB/4-355/H	1225	200	1,0	—	58	3490	8	REB-2,5	112 301 171	
		HCBB/4-400/H	1200	340	1,6	—	60	5070	9	REB-2,5	112 301 271	
		HCBB/4-450/H	1290	480	2,3	—	65	6760	13	REB-2,5	112 301 371	
		HCBB/4-500/H	1290	650	3,0	—	68	9200	16	REB-5N	112 301 471	
		HCBB/4-560/H	1250	980	4,9	—	71	12480	22	REB-5N	112 301 571	
		HCBB/4-630/H	1200	1700	7,6	—	72	17060	25	—	112 301 671	
	6	HCBB/6-355/H	800	90	0,5	—	50	2210	8	REB-1	112 303 071	
		HCBB/6-400/H	750	110	0,6	—	52	3400	9	REB-1	112 303 171	
		HCBB/6-450/H	835	220	1,2	—	53	4550	13	REB-2,5	112 303 271	
		HCBB/6-500/H	840	290	1,6	—	56	5820	16	REB-2,5	112 303 371	
		HCBB/6-560/H	900	420	2,4	—	59	7870	22	REB-2,5	112 303 471	
		HCBB/6-630/H	800	510	2,6	—	60	10750	25	REB-5N	112 303 571	
		HCBB/6-710/H	900	1300	5,7	—	66	17570	27	—	112 303 671	
	8	HCBB/8-450/H	625	130	0,7	—	46	3500	13	REB-1	112 306 271	
		HCBB/8-500/H	605	160	0,9	—	49	4660	16	REB-1	112 306 371	
		HCBB/8-560/H	610	240	1,3	—	52	5990	22	REB-2,5	112 306 471	
		HCBB/8-630/H	585	320	1,7	—	53	8340	25	REB-2,5	112 306 571	
		HCBB/8-710/H	625	480	2,4	—	59	11960	27	—	112 306 671	
	THREE-PHASE	2	HCBT/2-250/H	2500	250	0,9	0,5	65	2160	5	—	112 289 075
		4	HCBT/4-250/H	1330	60	0,3	0,2	52	1220	5	RMT-1,5	112 209 875
			HCBT/4-315/H	1300	150	0,6	0,3	54	2350	7	RMT-1,5	112 300 071
			HCBT/4-355/H	1260	200	0,8	0,5	58	3490	8	RMT-1,5	112 300 171
HCBT/4-400/H			1350	300	1,4	0,8	60	5070	9	RMT-1,5	112 300 271	
HCBT/4-450/H			1230	500	1,7	1,0	65	6760	13	RMT-1,5	112 300 371	
HCBT/4-500/H			1350	660	2,7	1,6	68	9200	16	RMT-3,5	112 300 471	
HCBT/4-560/H			1320	1210	3,9	2,3	71	12480	22	RMT-3,5	112 300 571	
HCBT/4-630/H			1420	1550	5,2	3,0	72	17060	25	—	112 300 671	
HCBT/4-710/H			1350	2200	7,0	4,0	75	22150	27	—	112 300 770	
HCBT/4-800/L			1420	2300	6,6	3,8	79	24960	37	—	112 300 771	
HCBT/4-800/H			1430	4200	12,6	7,3	82	32600	52	—	112 300 775	
HCBT/4-1000/L			1400	4400	12,3	7,1	84	42000	67	—	112 300 776	
HCBT/4-1000/H		1460	7200	20,5	12,0	87	54000	95	—	112 300 777		
6		HCBT/6-355/H	875	90	0,5	0,3	50	2210	8	RMT-1,5	112 302 071	
		HCBT/6-400/H	830	110	0,5	0,3	52	3400	9	RMT-1,5	112 302 171	
		HCBT/6-450/H	835	190	0,8	0,5	53	4550	13	RMT-1,5	112 302 271	
		HCBT/6-500/H	840	250	0,9	0,5	56	5820	16	RMT-1,5	112 302 371	
		HCBT/6-560/H	900	410	1,6	0,9	59	8260	22	RMT-1,5	112 302 471	
		HCBT/6-630/H	810	460	2,0	1,2	60	11000	25	RMT-1,5	112 302 571	
		HCBT/6-710/H	920	1100	4,9	2,8	66	16500	27	—	112 302 770	
		HCBT/6-800/L	900	1180	3,9	2,2	70	19370	31	—	112 302 771	
		HCBT/6-800/H	940	1220	4,3	2,5	72	22000	36	—	112 302 775	
		HCBT/6-1000/L	940	1400	5,6	3,2	75	28000	54	—	112 302 776	
HCBT/6-1000/H		950	2330	7,6	4,4	78	36400	62	—	112 302 777		
8		HCBT/8-450/H	660	130	0,7	0,4	46	3500	13	RMT-1,5	112 304 071	
		HCBT/8-500/H	625	150	0,7	0,4	49	4660	16	RMT-1,5	112 304 171	
		HCBT/8-560/H	610	230	1,0	0,6	52	5990	22	RMT-1,5	112 304 271	
		HCBT/8-630/H	635	310	1,3	0,8	53	8340	25	RMT-1,5	112 304 372	
		HCBT/8-710/H	970	150	2,0	1,2	59	11960	27	—	112 304 373	
		HCBT/8-800/L	710	580	2,2	1,3	63	14000	63	—	112 304 374	
	HCBT/8-800/H	690	700	3,0	1,7	65	17160	64	—	112 304 376		
	HCBT/8-1000/L	700	720	3,0	1,7	68	20490	68	—	112 304 377		
	HCBT/8-1000/H	725	1100	4,6	2,7	72	27040	71	—	112 304 378		

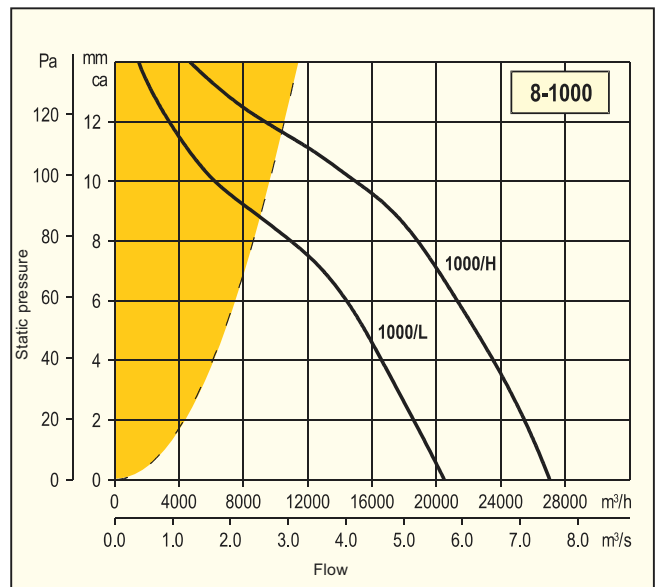
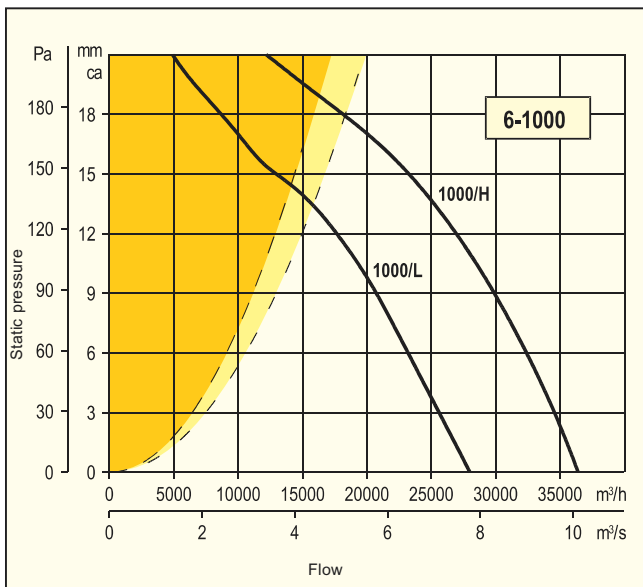
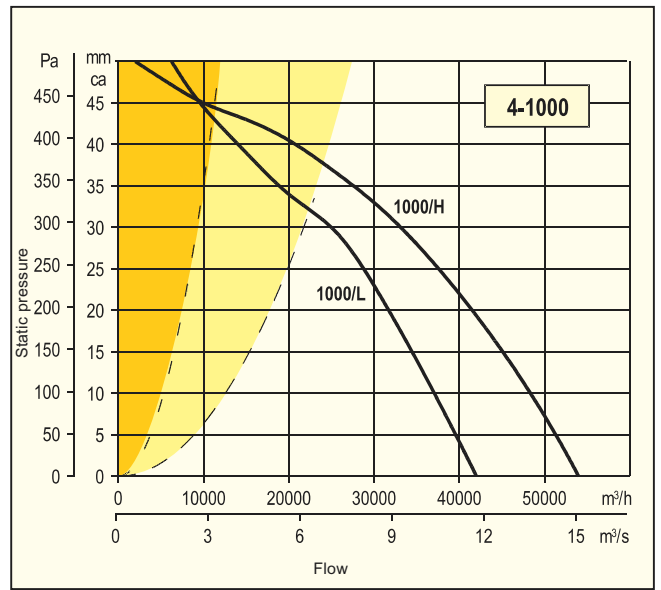
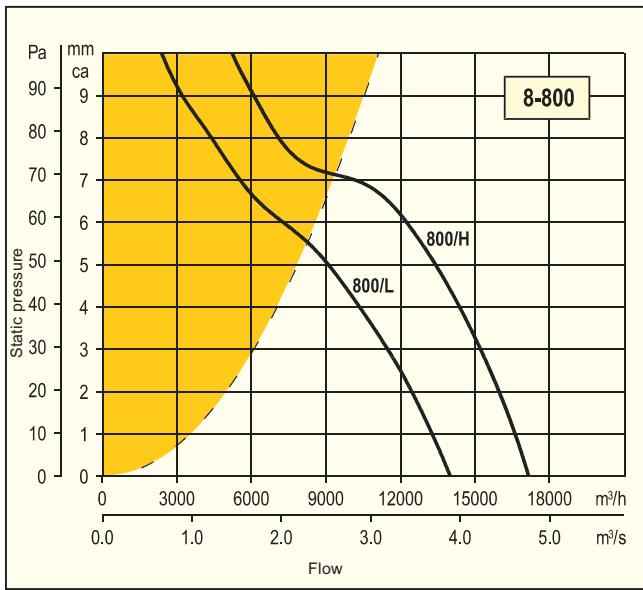
**Performance curves**













**Construction**

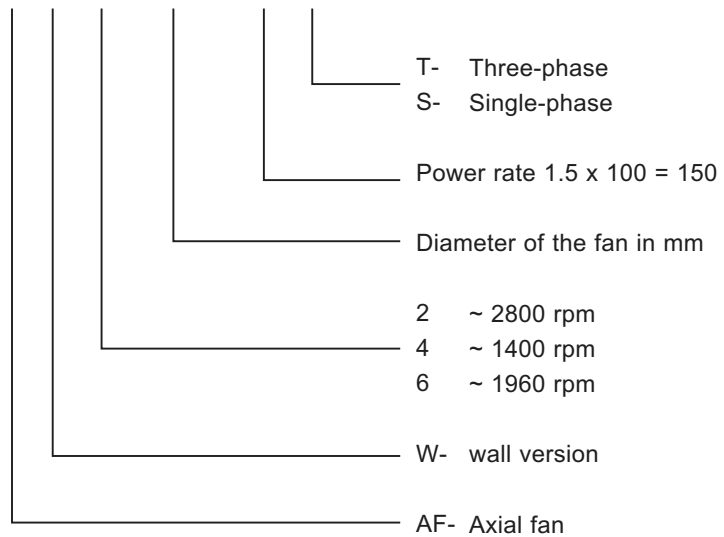
Axial-flow fan for wall mounting. Impeller of polyamide reinforced with anchored fiberglass. Wall plate formed from a steel sheet stamping. The motor and the unique construction of the impeller give compact solidity and allow wall- and duct-mounting in all variable positions.

**Motor**

220-240/380-420V, 50 Hz (380-420/660-690V over 3kW) three-phase or 220-240V, 50Hz single-phase asynchronous motor with squirrel cage rotor, in accordance with IEC72 and IEC34-1. Insulation class F, enclosure IP55. Special voltage or frequency, improved enclosure IP65, explosion proof motor may be supplied on request. Wiring diagram, see page 235.

**Model numbering system**

**AFW / 2 - 400 - 150 T**



**Accessories**



PER-W  
page 68



PER-CN  
page 68



REB  
page 230



RMB, RMT  
page 230

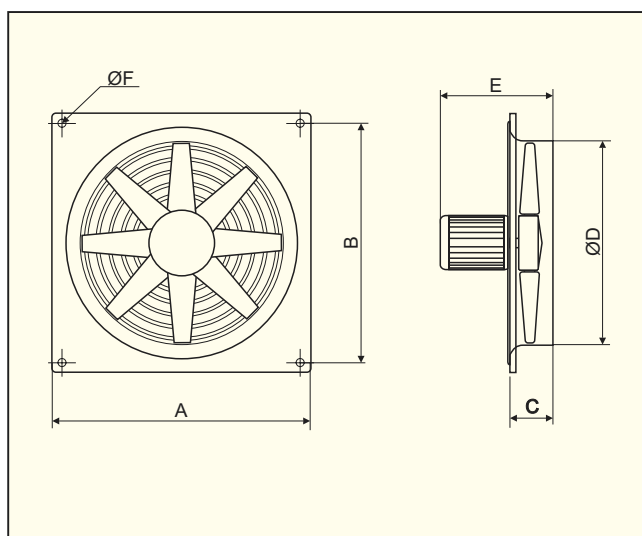
**Data**

Type	Speed rpm	Voltage V	Rated output kW	Rated current A	Sound level dB (A)*	Max Flow m³/h	Weight kg	Article number
AFW/2-250-025S	2850	230V	0,25	1,8	72	2250	9	213 909 250
AFW/2-315-037S	2860	230V	0,37	2,5	74	3400	10	213 909 315
AFW/2-355-055S	2860	230V	0,55	3,4	77	4500	11	213 909 355
AFW/2-250-025T	2760	400V	0,25	0,65	72	2250	9	213 910 250
AFW/2-250-037T	2800	400V	0,37	1,0	72	2600	10	213 910 253
AFW/2-315-037T	2800	400V	0,37	1,0	74	3400	12	213 910 315
AFW/2-315-075T	2800	400V	0,75	1,9	77	5000	18	213 910 317
AFW/2-355-055T	2790	400V	0,55	1,35	77	4500	14	213 910 355
AFW/2-355-110T	2780	400V	1,1	2,5	78	5700	22	213 910 358
AFW/2-400-150	2800	400V	1,5	3,4	80	7800	30	213 910 400
AFW/2-450-220	2800	400V	2,2	4,7	81	9500	38	213 910 450
AFW/2-450-300	2800	400V	3,0	6,5	81	12000	38	213 910 455
AFW/2-500-300	2800	400V	3,0	6,5	81	15000	40	213 910 500
AFW/4-560-150	1440	400V	1,5	4,3	82	14000	33	213 910 560
AFW/4-630-220	1420	400V	2,2	4,8	82	18200	41	213 910 630
AFW/4-710-400	1440	400V	4,0	8,1	83	25500	45	213 910 710

\* distance 1m

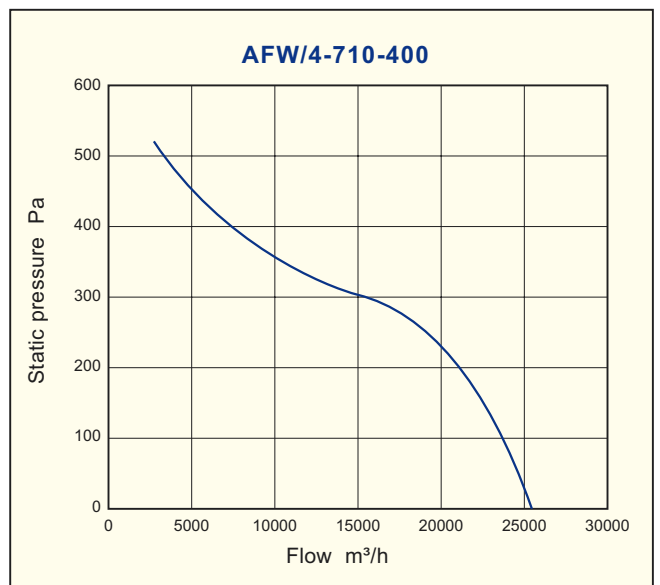
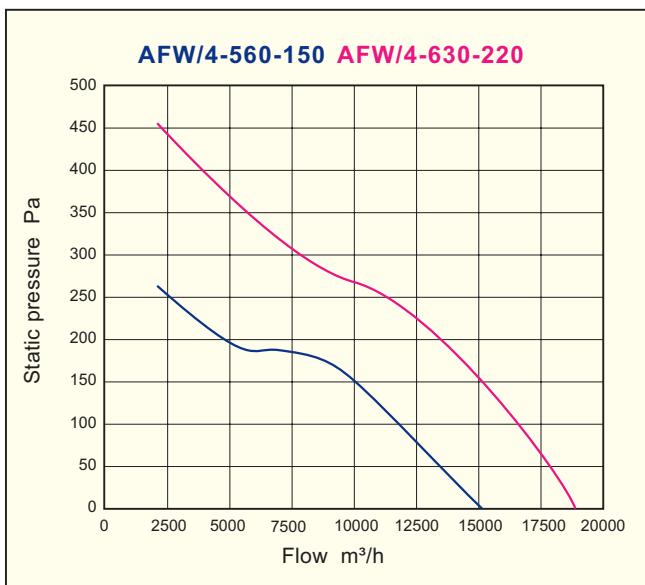
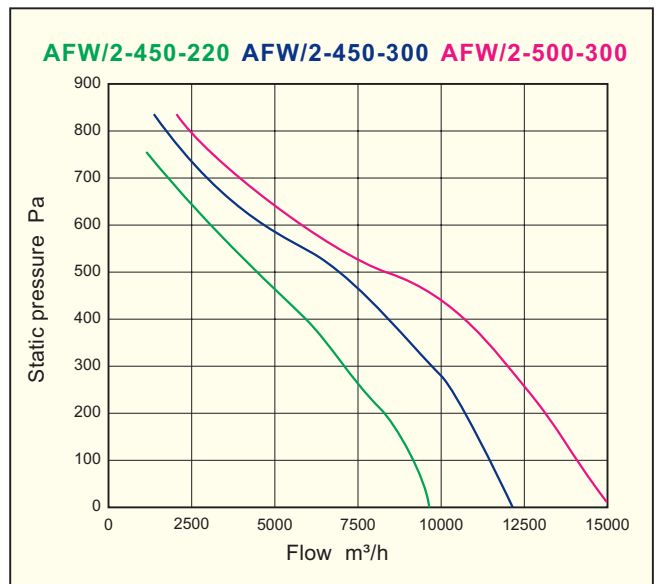
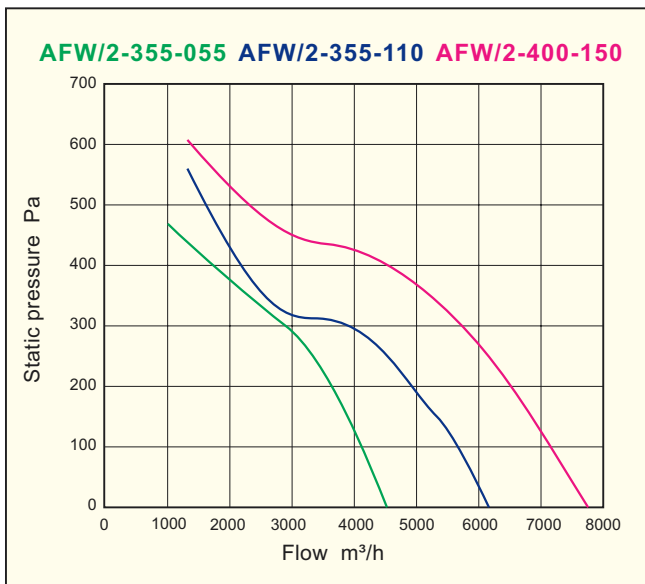
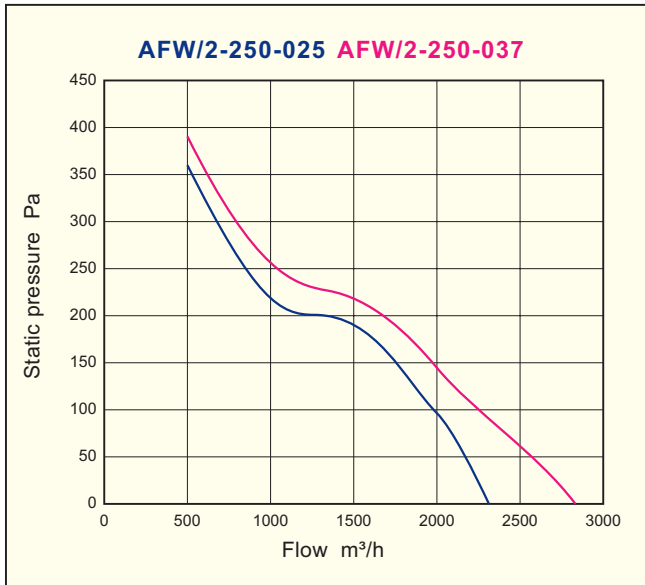
**Dimensions in mm**

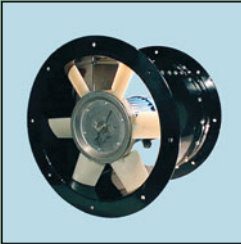
Type	A	B	C	D	E	F
AFW/2-250-025	315	260	65	254	275	10
AFW/2-250-037	315	260	65	254	290	10
AFW/2-315-037	400	330	80	315	300	10
AFW/2-315-075	400	330	80	315	320	10
AFW/2-355-055	450	380	87	355	320	10
AFW/2-355-110	450	380	87	355	320	10
AFW/2-400-150	500	420	90	400	350	10
AFW/2-450-220	560	480	103	450	390	10
AFW/2-450-300	560	480	103	450	390	10
AFW/2-500-300	630	560	110	500	400	10
AFW/4-560-150	710	630	110	560	400	10
AFW/4-630-220	800	710	115	630	425	10
AFW/4-710-400*	900	800	110	710	430	10,5





**Performance curves**





<b>COMPACT</b>	<b>44</b>
<b>TCBBx2, TCBTx2</b>	<b>52</b>
<b>AFC</b>	<b>54</b>
<b>AFC - VB</b>	<b>58</b>
<b>AFC - HT</b>	<b>60</b>
<b>AFD</b>	<b>61</b>
<b>AFH</b>	<b>63</b>
<b>AFS</b>	<b>65</b>
<b>AFK</b>	<b>67</b>
<b>Accessories</b>	<b>68</b>

**In-Line Fans**

**Axial-flow Fans Wall Versions**

**Axial-flow Fans Cased Versions**

**Roof Fans**

**Fans "ATEX"**

**Centrifugal Fans VISP/VASP**

**Centrifugal Fans**

**Side Channel Blowers**

**Chip Extractors**

**Domestic Fans**

**Accessories**

**Electric Diagrams**

**General Information**

**Index**



TCFT, TCFB

### Construction

Motor with painted cast aluminum casing. Impellers made of injection moulded plastic reinforced with anchored fiberglass, UV stable (TCFT/TCFB), or die casted in aluminium (TCBT/TCBB). Dynamic balanced according to ISO 1940. Adjustable impellers in plastic or aluminium can be supplied on request. For duct installation the fan is mounted in a casing of steel sheet. The motor and the unique construction of the impeller give compact solidity and allow wall- and duct-mounting in all variable positions.

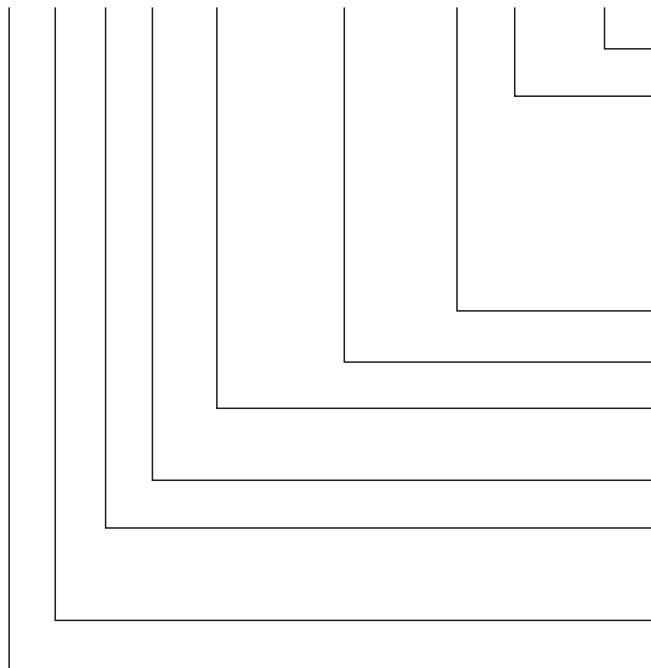
### Motor

380–415V, 50Hz three-phase alt. 220–240V, 50Hz single-phase asynchronous motor, thermal protection with outgoing leads to the terminal box. Enclosure IP65 according to UNE 113 and IEC 34–1 (size /4-710 and 800 are IP55). Insulation class F for a maximum

environmental temperature of +70°C. The motor is designed according to IEC 34–1 and is dynamic balanced according to ISO 1940. Speed controllable by variation of the supply voltage by means of transformer or electric regulator (not size /4-560, -4-630, 710 and 800). Special voltage or frequency, improved enclosure can be supplied on request.

Wiring diagram, see page 235.

### Model numbering system



Special version

- A** = air direction motor - impeller for wall mounting
- B** = air direction impeller - motor, standard for duct mounting
- Ex** = explosion proof motor EExe II T3
- L** = weather proof enclosure      **M** = extended lead (830mm long)
- S** = motor and impeller only

Blade angle      **H** = high (approx 34°)      **L** = low (approx 22°)

Nominal diameter in mm

Speed:    2 = approx 2900rpm 50Hz    4 = approx 1400rpm 50Hz  
             6 = approx 900rpm 50Hz      8 = approx 700rpm 50Hz

Type of motor:      **T** = three-phase      **B** = single-phase

Impeller:            **F** = fixed blades impeller, standard  
                             **G** = adjustable blade impellers  
                             **B** = impeller in aluminium

**C** = compact series

Fan mounting:      **H** = wall mounted      **T** = case duct mounted

### Accessories



ACOP  
page 68



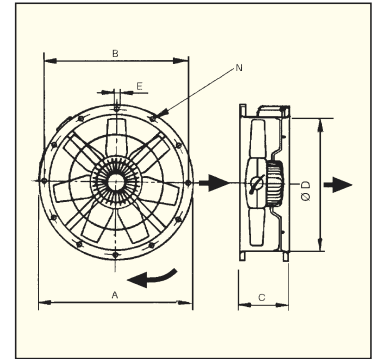
REB  
page 230



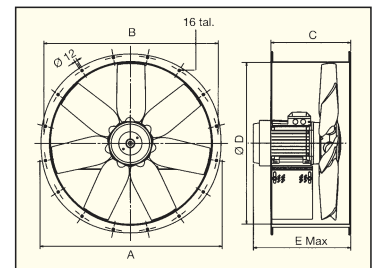
RMB, RMT  
page 230

Dimensions in mm

Type	ØA	B	C	ØD	ØE	Number of holes N
250	327	292	170	254	10	4
315	386	355	170	315	10	8
355	426	395	170	355	10	8
400	487	450	170	400	12	8
450	537	500	180	450	12	8
500	595	560	180	500	12	12
560	655	630	240	560	12	12
630	725	690	240	630	12	12
710 (6/8 p)	806	770	240	710	12	16



Type	ØA	B	C	ØD	E		
					4 p	6 p	8 p
710/L (4 p)	806	770	350	710	405	-	-
710/H (4 p)	806	770	350	710	426	-	-
800/L	896	860	350	800	419	398	398
800/K	896	860	350	800	415	419	398
800/G	896	860	350	800	471	415	419
800/H	896	860	350	800	471	415	419



Acoustic characteristics Sound pressure level dB(A)

2-POLE

Type \ Hz	63	125	250	500	1000	2000	4000	8000
2-250/H	50	61	68	73	74	74	67	58

6-POLE

Type \ Hz	63	125	250	500	1000	2000	4000	8000
6-355/H	39	45	46	52	53	54	48	37
6-400/H	34	46	49	59	60	60	53	41
6-450/H	32	48	52	60	64	62	56	47
6-500/H	36	52	55	64	68	66	60	50
6-560/L	36	51	57	66	70	68	62	54
6-560/H	38	53	59	68	72	70	64	56
6-630/L	37	51	60	69	73	71	65	58
6-630/H	39	53	62	71	75	72	67	60
6-710/L	45	66	72	78	79	76	71	64
6-710/H	48	68	75	81	82	79	74	67
6-800/L	58	74	86	89	89	84	77	68
6-800/K	60	76	88	91	91	85	78	69
6-800/G	61	77	88	92	92	86	79	70
6-800/H	62	79	90	93	94	88	81	72

4-POLE

Type \ Hz	63	125	250	500	1000	2000	4000	8000
4-250/H	44	50	57	58	60	59	53	42
4-315/H	37	47	57	61	66	63	57	48
4-355/H	39	59	56	65	70	66	61	52
4-400/H	41	62	58	67	74	70	66	43
4-450/H	41	57	60	69	73	71	65	55
4-500/H	44	61	64	73	76	75	68	59
4-560/L	44	60	66	75	78	76	71	62
4-560/H	46	61	67	76	80	78	72	64
4-630/L	46	60	69	78	82	80	75	67
4-630/H	47	61	70	79	83	81	76	68
4-710/L	52	72	79	84	86	83	78	70
4-710/H	56	76	83	88	90	86	81	74
4-800/L	64	81	92	95	96	90	83	74
4-800/K	67	83	94	98	98	92	85	76
4-800/G	69	85	96	99	100	94	87	78
4-800/H	71	87	99	102	102	97	90	81

8-POLE

Type \ Hz	63	125	250	500	1000	2000	4000	8000
8-450/H	38	41	47	52	58	55	47	37
8-500/H	41	43	50	55	61	58	49	39
8-560/H	44	47	53	58	64	61	53	43
8-630/H	43	49	59	67	71	67	58	50
8-710/H	42	62	69	74	76	72	67	60
8-800/L	54	70	81	85	85	79	72	63
8-800/K	54	71	82	85	86	80	73	64
8-800/G	55	72	83	86	86	81	74	65
8-800/H	56	72	84	87	87	82	75	66

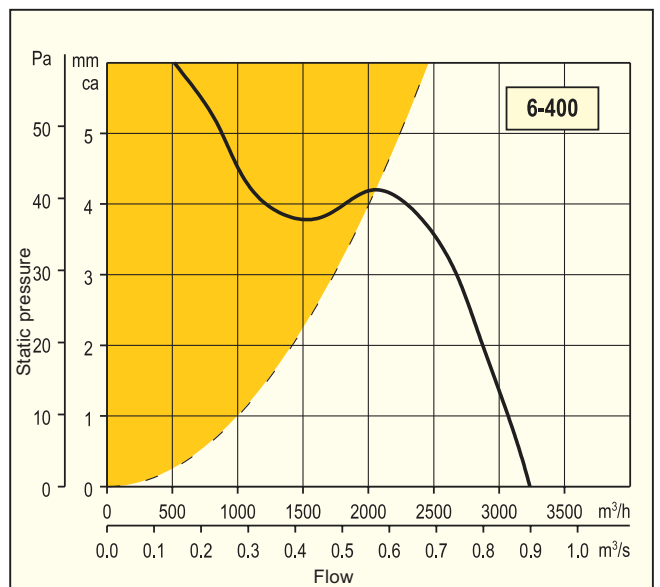
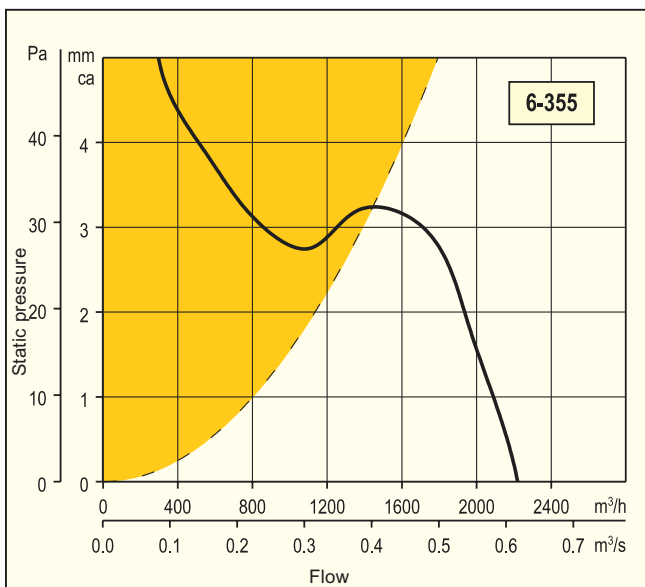
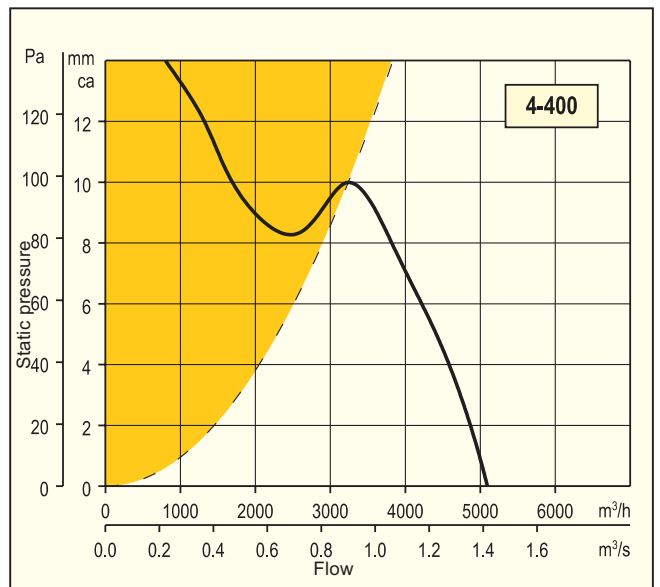
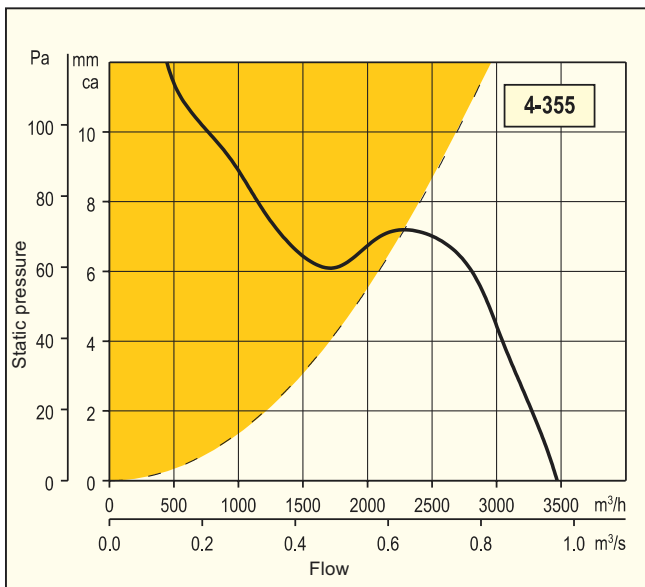
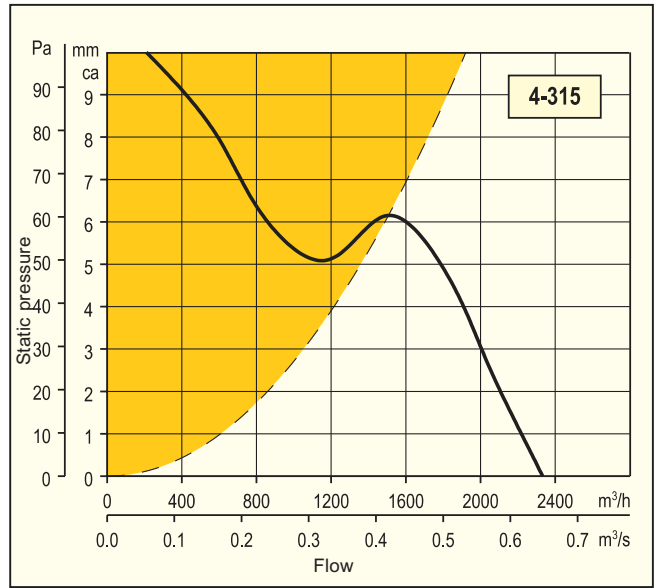
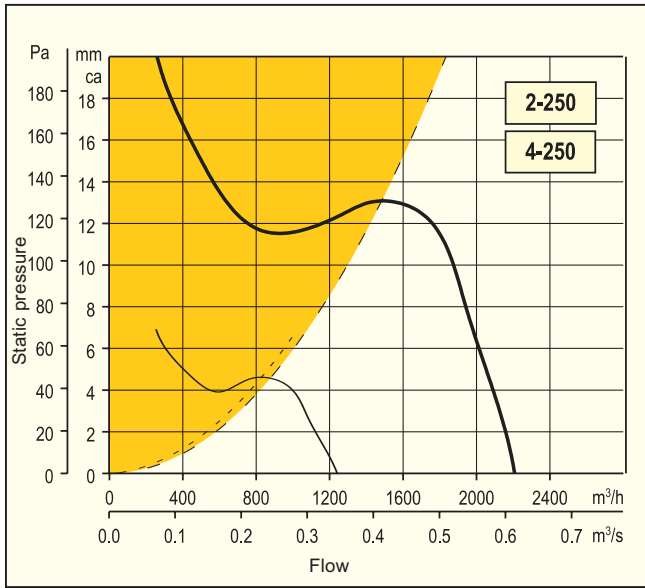
**Technical specification TCFT / TCFB**

	Number of poles	Type	Speed rpm	Maximum power W	Maximum current A		Sound pressure level dB (A)	Duty at free discharge (max) m³/h	Weight kg	Speed regulation device	Article number	
		Cased version			230 V	400 V						
<b>SINGLE-PHASE</b>	<b>2</b>											
		TCFB/2-250/H	2500	250	1,2	—	65	2160	5	—	112 350 895	
	<b>4</b>											
		TCFB/4-250/H	1330	60	0,3	—	52	1215	5	REB-1	112 350 995	
		TCFB/4-315/H	1300	100	0,6	—	54	2350	7	REB-1	112 351 051	
		TCFB/4-355/H	1225	200	1,0	—	58	3490	8	REB-2,5	112 351 151	
		TCFB/4-400/H	1200	340	1,6	—	60	5070	9	REB-2,5	112 351 251	
		TCFB/4-450/H	1290	480	2,3	—	65	6760	13	REB-2,5	112 351 351	
		TCFB/4-500/H	1290	650	3,0	—	68	9200	16	REB-5N	112 351 451	
		TCFB/4-560/H	1250	980	4,9	—	71	12480	22	REB-5N	112 351 551	
	TCFB/4-630/H	1200	1700	7,6	—	72	17060	25	—	112 351 651		
	<b>6</b>											
		TCFB/6-355/H	800	90	0,5	—	50	2210	8	REB-1	112 352 351	
		TCFB/6-400/H	750	110	0,6	—	52	3400	9	REB-1	112 352 451	
		TCFB/6-450/H	835	220	1,2	—	53	4550	13	REB-2,5	112 352 551	
		TCFB/6-500/H	840	290	1,6	—	56	5820	16	REB-2,5	112 352 651	
		TCFB/6-560/H	900	420	2,4	—	59	7870	22	REB-2,5	112 352 751	
	<b>8</b>											
TCFB/8-450/H		625	130	0,7	—	48	3500	13	REB-1	112 354 551		
TCFB/8-500/H		605	160	0,9	—	49	4660	16	REB-1	112 354 651		
TCFB/8-560/H		610	240	1,3	—	51	5990	22	REB-2,5	112 354 751		
TCFB/8-630/H	585	320	1,7	—	52	8340	25	REB-2,5	112 354 851			
<b>THREE-PHASE</b>	<b>2</b>											
		TCFT/2-250/H	2500	250	0,9	0,5	65	2160	5	—	112 330 995	
	<b>4</b>											
		TCFT/4-250/H	1330	60	0,3	0,2	52	1220	5	RMT-1,5	112 349 055	
		TCFT/4-315/H	1300	150	0,6	0,3	54	2350	7	RMT-1,5	112 350 051	
		TCFT/4-355/H	1260	200	0,8	0,5	58	3490	8	RMT-1,5	112 350 151	
		TCFT/4-400/H	1350	300	1,4	0,8	60	5070	9	RMT-1,5	112 350 251	
		TCFT/4-450/H	1230	500	1,7	1,0	65	6760	13	RMT-1,5	112 350 351	
		TCFT/4-500/H	1350	660	2,7	1,6	68	9200	16	RMT-3,5	112 350 451	
		TCFT/4-560/H	1320	1210	3,9	2,3	71	12480	22	RMT-3,5	112 350 551	
	TCFT/4-630/H	1420	1550	5,2	3,0	72	17060	25	—	112 350 651		
	<b>6</b>											
		TCFT/6-355/H	875	90	0,5	0,3	50	2210	8	RMT-1,5	112 351 751	
		TCFT/6-400/H	830	110	0,5	0,3	52	3400	9	RMT-1,5	112 351 851	
		TCFT/6-450/H	835	190	0,8	0,5	53	4550	13	RMT-1,5	112 352 041	
		TCFT/6-500/H	840	250	0,9	0,5	56	5820	16	RMT-1,5	112 352 051	
		TCFT/6-560/H	900	410	1,6	0,9	59	8260	22	RMT-1,5	112 352 151	
	TCFT/6-630/H	810	460	2,0	1,2	60	11000	25	RMT-1,5	112 352 251		
<b>8</b>												
	TCFT/8-450/H	660	130	0,7	0,4	51	3500	13	RMT-1,5	112 353 551		
	TCFT/8-500/H	625	150	0,7	0,4	53	4660	16	RMT-1,5	112 353 651		
	TCFT/8-560/H	610	230	1,0	0,6	55	5990	22	RMT-1,5	112 353 751		
TCFT/8-630/H	635	310	1,3	0,8	57	8340	25	RMT-1,5	112 353 851			

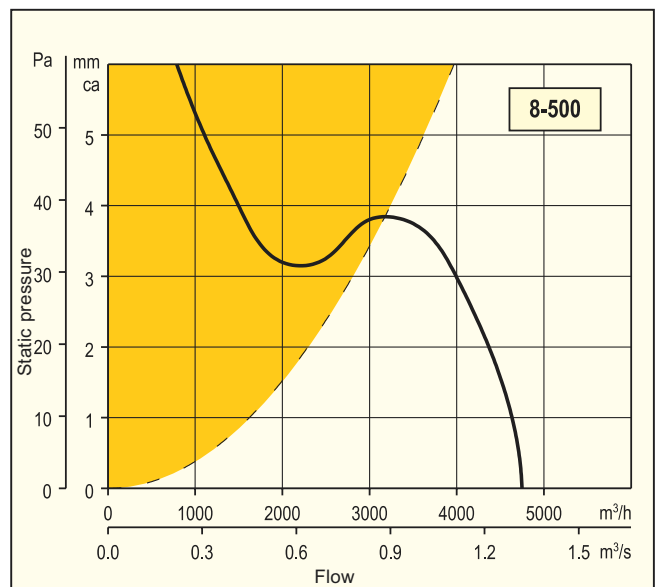
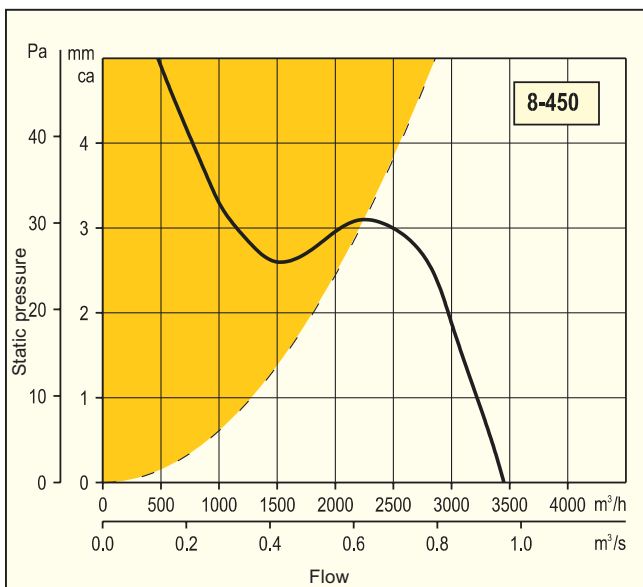
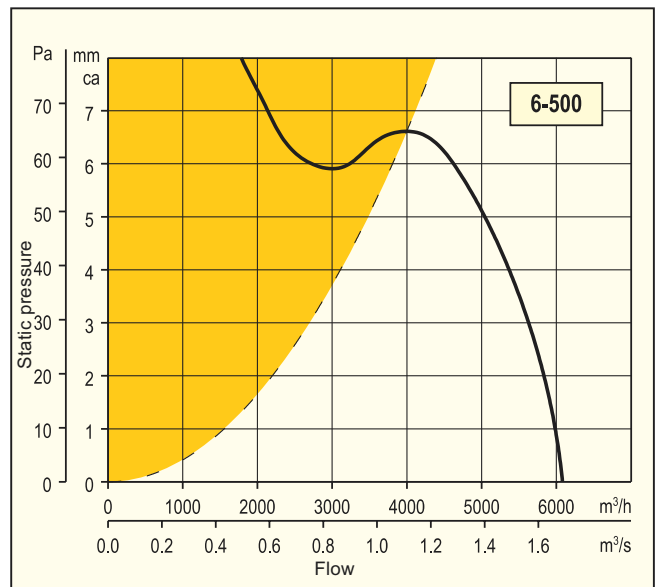
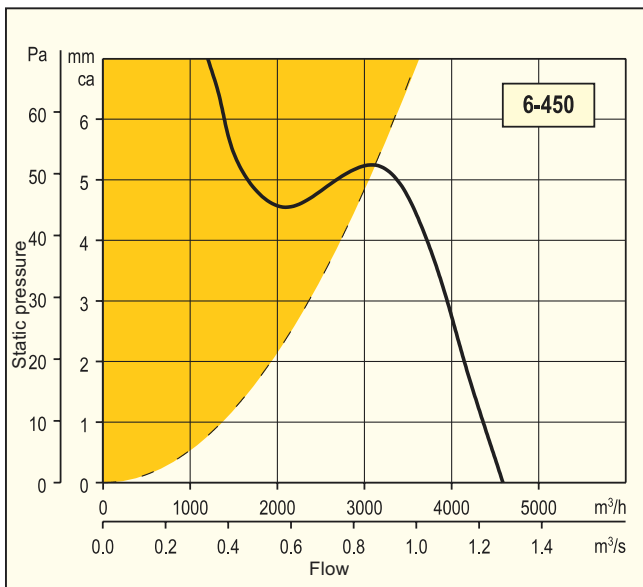
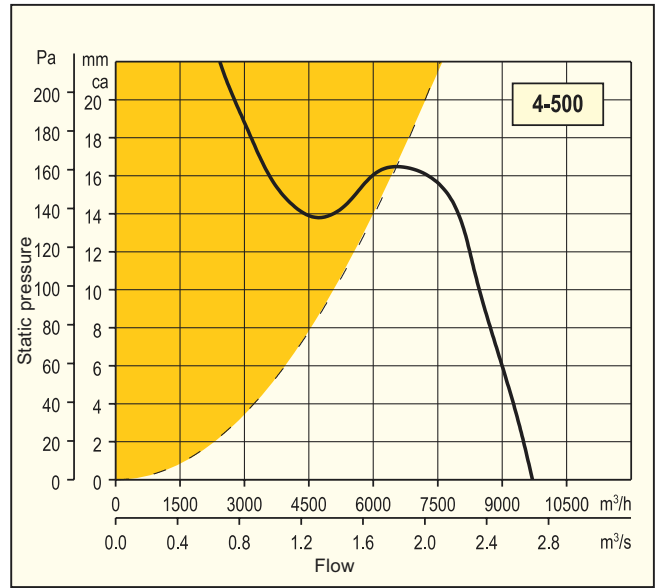
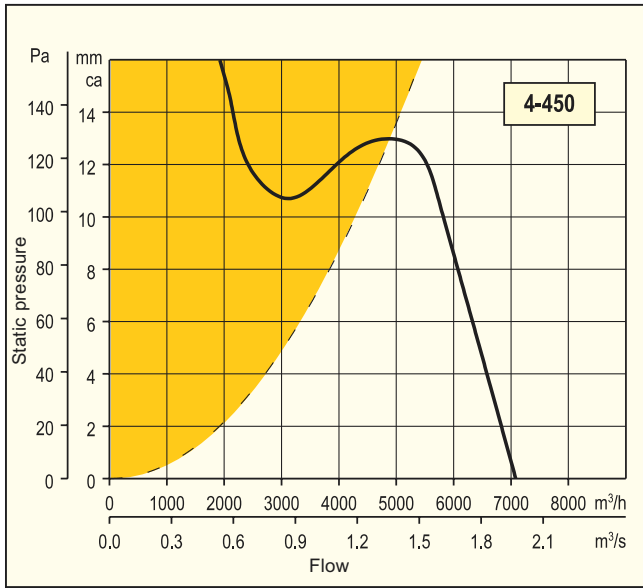
Technical specification TCBT / TCBB

	Number of poles	Type	Speed rpm	Maximum power W	Maximum current A		Sound pressure level dB (A)	Duty at free discharge (max) m³/h	Weight kg	Speed regulation device	Article number	
					230 V	400 V						
SINGLE-PHASE	2	TCBB/2-250/H	2500	240	1,2	—	65	2210	8,0	—	112 350 891	
	4	TCBB/4-250/H	1330	60	0,3	—	52	1250	8,0	REB-1	112 350 997	
		TCBB/4-315/H	1300	100	0,6	—	54	2340	11,0	REB-1	112 351 071	
		TCBB/4-355/H	1225	200	1,0	—	58	3470	13,2	REB-2,5	112 351 171	
		TCBB/4-400/H	1200	340	1,6	—	60	5100	15,5	REB-2,5	112 351 271	
		TCBB/4-450/H	1370	620	2,7	—	62	7100	21,0	REB-5	112 351 371	
		TCBB/4-500/H	1300	80	3,5	—	66	9710	25,0	REB-5	112 351 471	
		TCBB/4-560/L	1300	1240	5,8	—	67	11750	33,0	RMB-8	112 351 570	
		TCBB/4-560/H	1340	1680	7,7	—	69	13780	34,7	—	112 351 571	
	TCBB/4-630/L	1280	1800	8,4	—	70	16100	40,0	—	112 351 670		
	6	TCBB/6-355/H	800	90	0,5	—	50	2220	13,2	REB-1	112 352 371	
		TCBB/6-400/H	750	110	0,6	—	52	3240	15,5	REB-1	112 352 471	
		TCBB/6-450/H	890	240	1,2	—	53	4590	20,7	REB-2,5	112 352 571	
		TCBB/6-500/H	890	310	1,7	—	57	6100	24,8	REB-2,5	112 352 671	
		TCBB/6-560/L	900	420	2,4	—	58	7400	33,0	REB-5	112 352 770	
		TCBB/6-560/H	900	550	2,8	—	60	8680	33,5	REB-5	112 352 771	
		TCBB/6-630/L	860	640	3,1	—	60	10600	38,0	REB-5	112 352 864	
		TCBB/6-630/H	930	980	5,4	—	62	13000	38,5	RMB-8	112 352 865	
		TCBB/6-710/L	900	1050	5,5	—	66	15800	46,0	—	112 352 870	
	TCBB/6-710/H	840	1300	6,5	—	69	17800	46,0	—	112 352 871		
	8	TCBB/8-450/H	620	140	0,8	—	47	3450	20,7	REB-1	112 354 571	
		TCBB/8-500/H	595	175	1,0	—	48	4750	24,8	REB-2,5	112 354 671	
		TCBB/8-560/H	595	260	1,4	—	50	6620	33,0	REB-2,5	112 354 771	
		TCBB/8-630/H	680	440	2,1	—	57	8730	38,5	REB-2,5	112 354 871	
		TCBB/8-710/H	625	480	2,4	—	63	11000	46,0	—	112 353 865	
	THREE-PHASE	2	TCBT/2-250/H	2500	240	0,9	0,5	65	2210	8,0	—	112 330 991
		4	TCBT/4-250/H	1330	60	0,3	0,2	52	1250	8,0	RMT-1,5	112 349 056
			TCBT/4-315/H	1300	150	0,6	0,3	54	2340	11,0	RMT-1,5	112 350 071
			TCBT/4-355/H	1260	200	0,8	0,5	58	3470	13,2	RMT-1,5	112 350 171
			TCBT/4-400/H	1360	300	1,4	0,8	60	5100	15,5	RMT-1,5	112 350 271
TCBT/4-450/H			1400	630	2,7	1,6	62	7100	21,0	RMT-3,5	112 350 371	
TCBT/4-500/H			1340	880	2,9	1,7	66	9710	25,0	RMT-3,5	112 350 471	
TCBT/4-560/L			1320	1210	3,9	2,3	67	11750	33,0	RMT-8	112 350 570	
TCBT/4-560/H			1370	1520	4,9	2,8	69	13780	34,7	—	112 350 571	
TCBT/4-630/L			1330	1900	5,6	3,2	69	16100	39,0	—	112 350 580	
TCBT/4-630/H			1360	2200	7,1	4,0	70	18200	40,0	—	112 350 581	
TCBT/4-710/L			1420	2500	8,4	4,8	73	21590	46,0	—	112 350 670	
TCBT/4-710/H			1450	3400	11,1	6,4	76	25500	54,0	—	112 350 671	
TCBT/4-800/L			1450	3700	11,2	6,5	82	29200	65,0	—	112 350 770	
TCBT/4-800/K			1450	5000	-	9,0	84	33300	68,0	—	112 350 772	
TCBT/4-800/G		1460	6900	-	11,6	87	38400	81,0	—	112 350 774		
TCBT/4-800/H		1460	8800	-	15,0	89	43200	89,0	—	112 350 776		
6		TCBT/6-355/H	875	90	0,5	0,3	50	2220	13,2	RMT-1,5	112 351 771	
		TCBT/6-400/H	830	110	0,5	0,3	52	3240	15,5	RMT-1,5	112 351 871	
		TCBT/6-450/H	890	200	0,9	0,5	53	4590	20,7	RMT-1,5	112 352 071	
		TCBT/6-500/H	870	270	1,0	0,6	57	6100	24,8	RMT-1,5	112 352 081	
		TCBT/6-560/L	900	410	1,6	0,9	58	7400	33,0	RMT-3,5	112 352 170	
		TCBT/6-560/H	870	470	1,7	1,0	60	8680	33,5	RMT-3,5	112 352 171	
		TCBT/6-630/L	890	620	2,2	1,3	60	10600	38,0	RMT-3,5	112 352 240	
		TCBT/6-630/H	950	860	4,9	2,8	62	13000	38,5	RMT-8	112 352 241	
		TCBT/6-710/L	900	1080	5,7	3,3	66	15800	46,0	—	112 352 264	
		TCBT/6-710/H	910	1300	5,2	3,0	69	17800	46,0	—	112 352 265	
		TCBT/6-800/L	950	1500	5,7	3,3	74	20700	57,0	—	112 352 361	
		TCBT/6-800/K	965	1800	7,1	4,1	76	23100	64,0	—	112 352 364	
		TCBT/6-800/G	960	2500	9,0	5,2	79	26100	68,0	—	112 352 366	
		TCBT/6-800/H	980	2900	10,7	6,2	80	29800	80,0	—	112 352 368	
	8	TCBT/8-450/H	665	140	0,8	0,5	47	3450	20,7	RMT-1,5	112 353 571	
		TCBT/8-500/H	615	165	1,0	0,6	50	4750	24,8	RMT-1,5	112 353 671	
TCBT/8-560/H		595	250	1,2	0,7	52	6620	33,0	RMT-1,5	112 353 771		
TCBT/8-630/H		980	380	1,9	1,1	57	8730	38,5	RMT-3,5	112 353 871		
TCBT/8-710/H		920	540	2,1	1,2	63	11000	46,0	—	112 353 881		
TCBT/8-800/L		700	650	3,1	1,8	67	14000	54,0	—	112 353 891		
TCBT/8-800/K		710	870	4,3	2,5	69	16600	57,0	—	112 353 892		
TCBT/8-800/G		720	1100	4,8	2,8	72	19500	61,0	—	112 353 894		
TCBT/8-800/H		720	1340	6,2	3,6	74	22500	64,0	—	112 353 896		

**Performance curves**

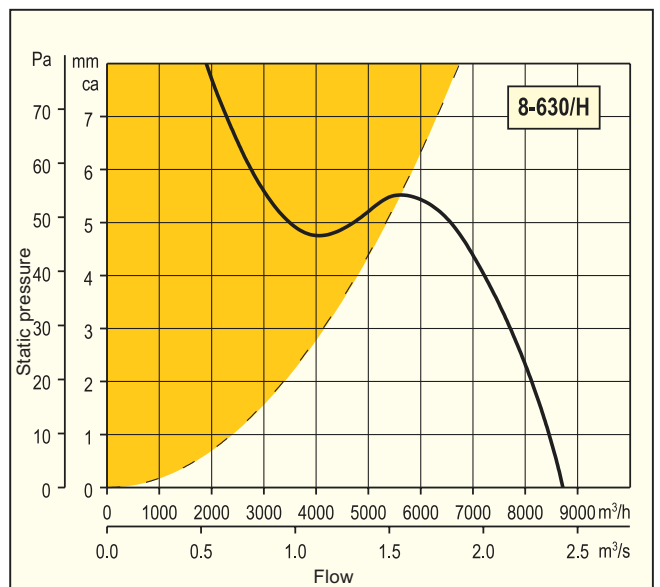
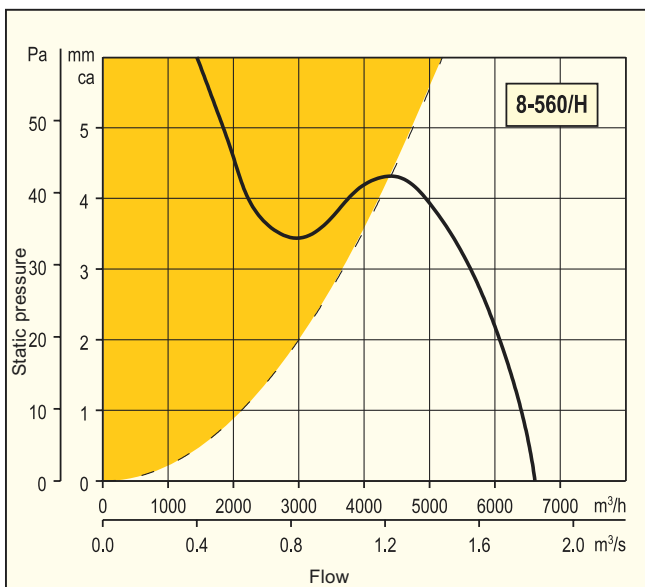
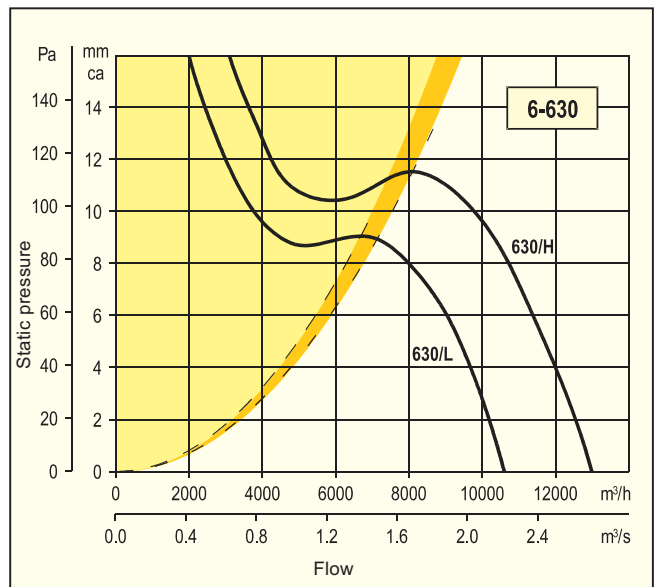
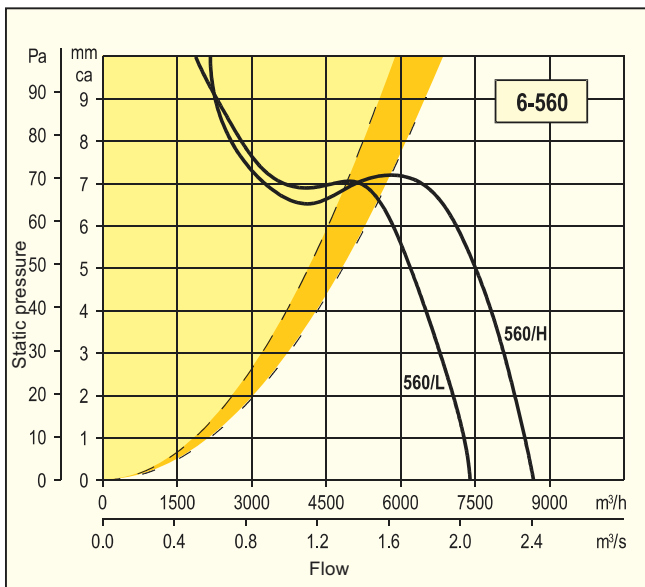
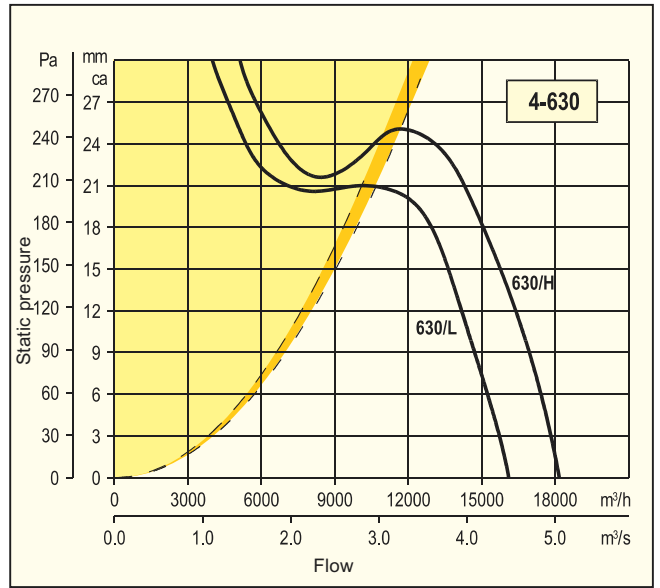
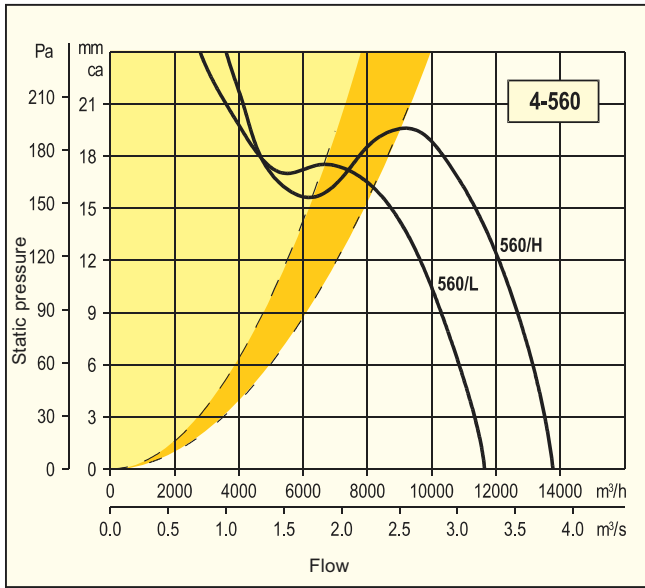


**Performance curves**

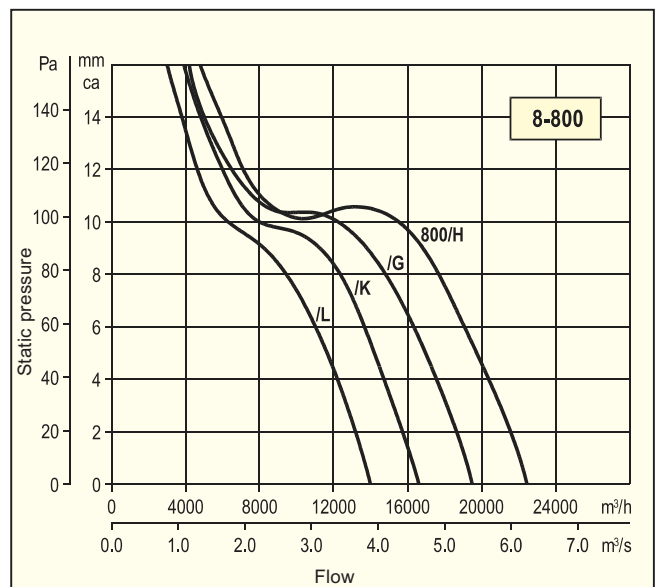
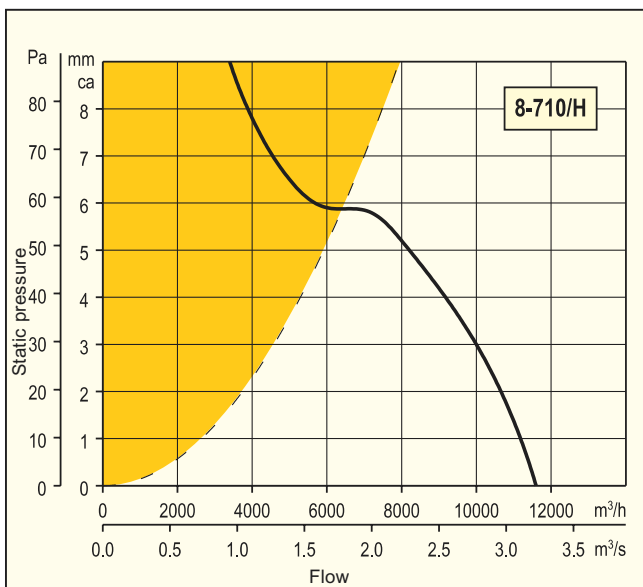
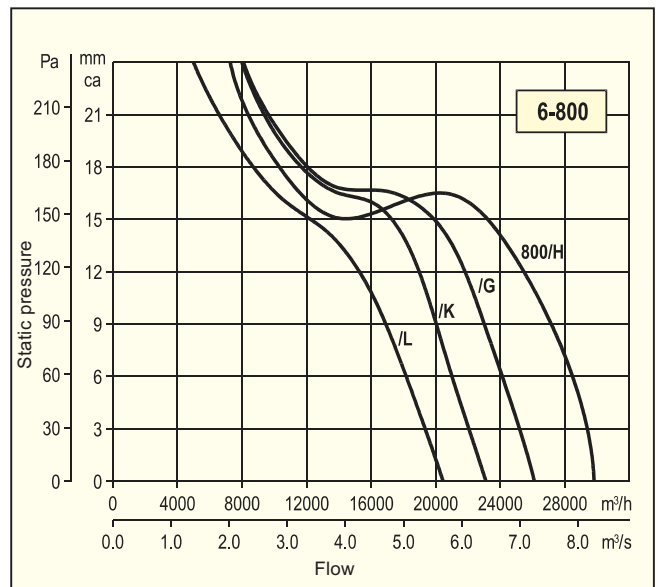
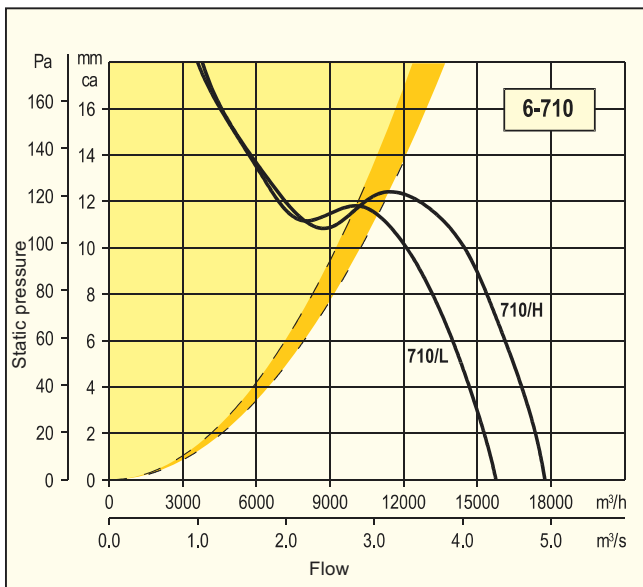
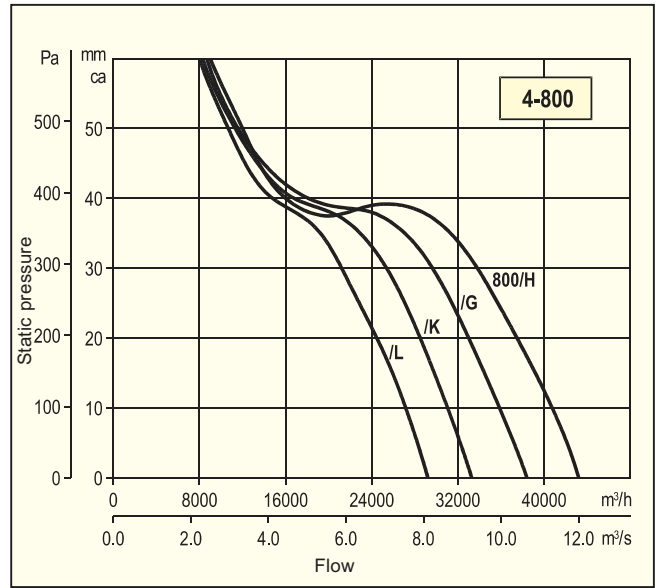
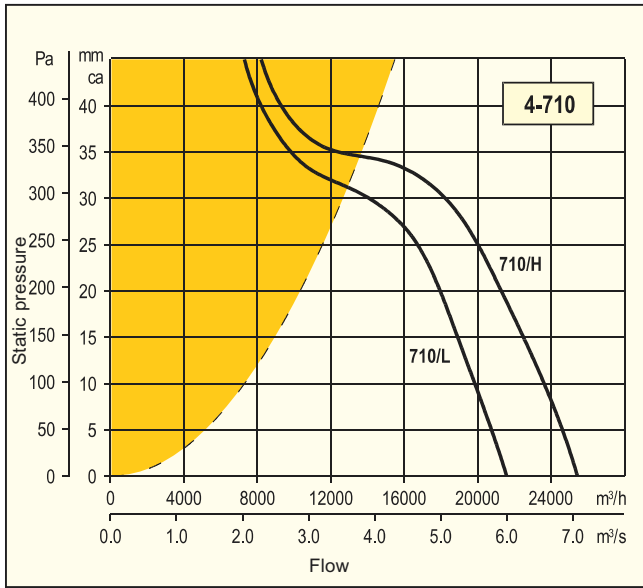




**Performance curves**



**Performance curves**





TCBBx2, TCBTx2

### Construction

Axial fan in cased version with casing of welded steel sheet and two contrarotating impellers made in die casted aluminium, dynamically balanced according to ISO1940.

### Motor

Two 380-415V, 50Hz three-phase alt. two 220-240V, 50Hz single-phase asynchronous motor, thermal protection with outgoing leads to the thermal box. Enclosure IP65, insulation class F. Size 450 and 500 are speed controlled by means of transformer or electric regulator. Special voltage or frequency, improved enclosure and three-phase motors for „Y” resp. „Δ” running can be supplied on request.

Wiring diagram, see page 235.

### Data

Type	Speed rpm	Maximum power absorbed kW	Maximum current A	Sound level* dB (A)	Maximum duty m³/h	Weight kg	Article number
TCBBx2/4-450	1370	1,24	5,40	74	6900	42	112 355 450
TCBBx2/4-500	1300	1,70	7,30	76	9400	50	112 355 500
TCBBx2/4-560	1340	3,25	15,50	78	14300	66	112 355 560
TCBBx2/4-630	1280	3,90	19,00	79	18200	80	112 355 630
TCBTx2/4-450	1400	1,25	3,40	74	6900	42	112 356 450
TCBTx2/4-500	1340	1,75	3,60	76	9400	50	112 356 500
TCBTx2/4-560	1360	3,12	5,80	78	14300	66	112 356 560
TCBTx2/4-630	1370	4,20	8,00	79	18200	80	112 356 630

\* - inlet

### Acoustic characteristic Sound pressure level dB(A)

Type	Working point m³/h	63	125	250	500	1000	2000	4000	8000	Total
450 inlet	6600	46	73	85	82	85	79	72	64	90
	5850	46	73	84	81	83	79	71	64	88
	4300	58	70	80	80	83	79	71	64	87
450 outlet	6600	63	75	86	85	87	82	74	67	92
	5850	53	73	85	84	87	81	74	67	91
	4300	58	70	82	83	86	82	74	67	90
500 inlet	9000	48	78	87	85	87	81	74	67	92
	7500	52	76	85	85	85	80	73	65	90
	6000	60	73	83	82	85	80	73	66	89
500 outlet	9000	65	76	87	88	90	84	77	70	94
	7500	62	75	86	87	88	83	76	69	92
	6000	59	72	86	85	88	83	76	69	92
560 inlet	13720	50	85	87	88	91	85	78	73	95
	10800	57	79	83	86	89	84	78	72	93
	9000	63	79	81	86	89	84	78	72	92
560 outlet	13720	74	86	85	91	94	88	81	75	97
	10800	70	82	84	88	92	87	81	74	95
	9000	74	81	85	89	92	87	81	74	95
630 inlet	17500	51	85	91	89	93	87	80	74	97
	15600	55	85	85	88	91	86	80	73	95
	12000	64	80	84	88	90	86	80	73	94
630 outlet	17500	73	87	88	93	95	89	83	77	99
	15600	71	87	86	91	94	89	83	76	98
	12000	67	84	86	90	94	89	84	76	97

### Accessories

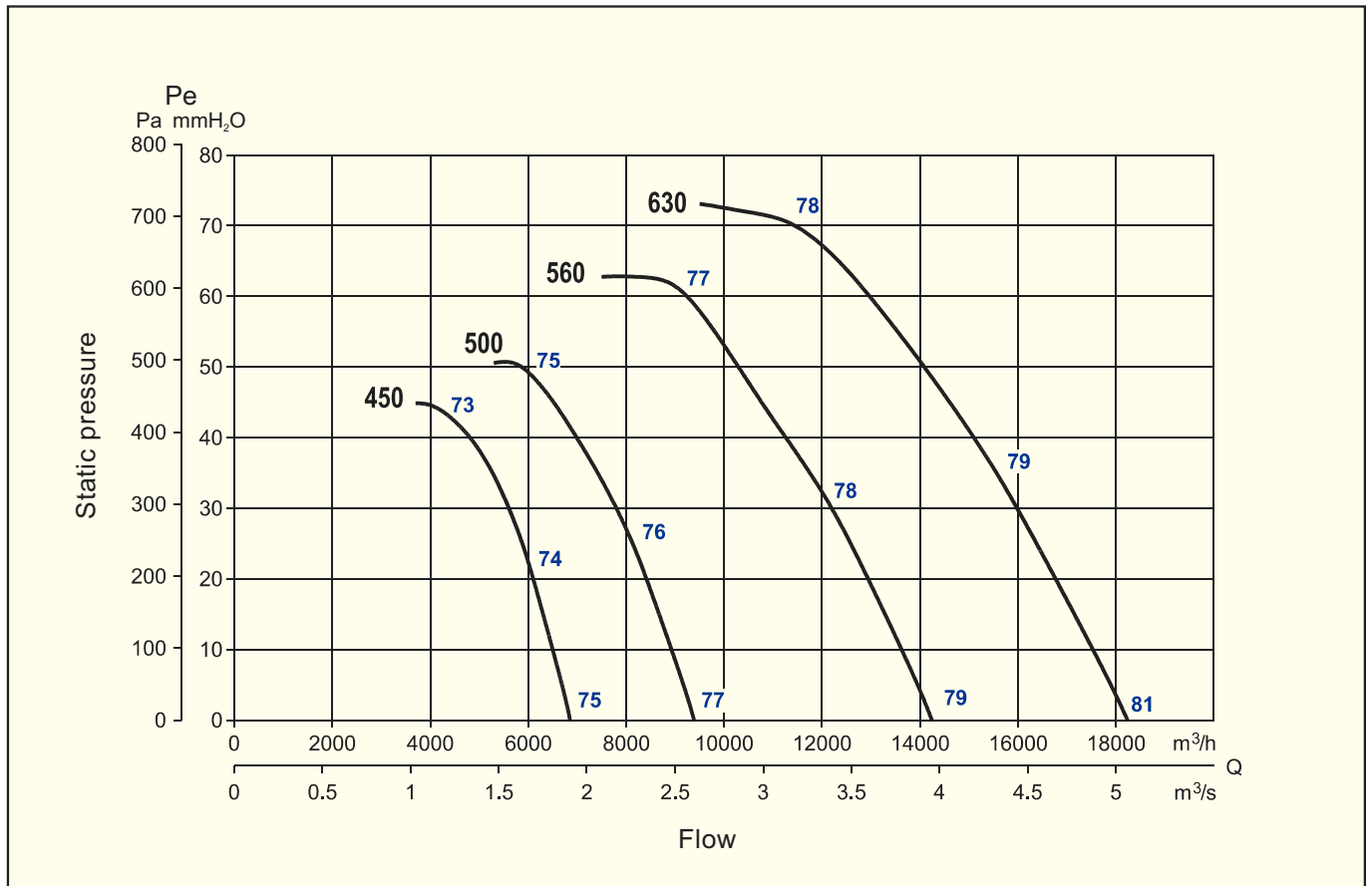


ACOP  
page 68

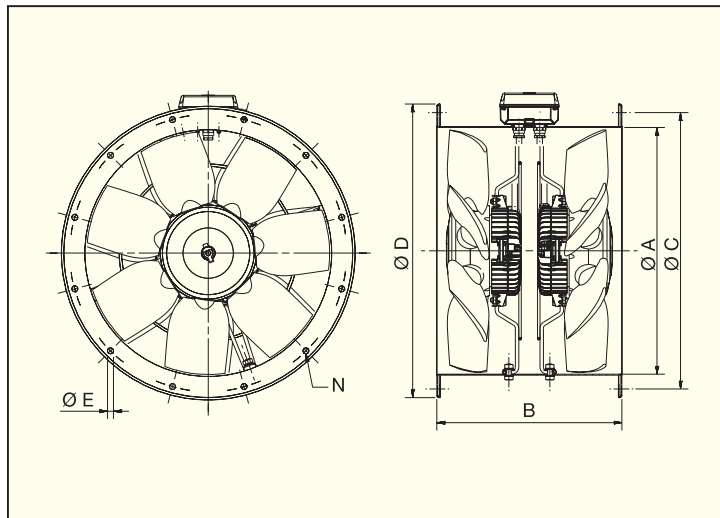


RMB, RMT  
page 230

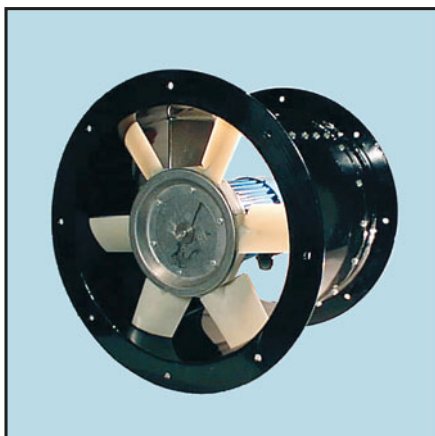
Performance curves



Dimensions in mm



Type	ØA	B	ØC	ØD	ØE	No. of holes N
450	537	375	500	450	12	8
500	595	375	550	500	12	12
560	655	520	620	560	12	12
630	725	520	660	630	12	12



**Construction**

Axial fan designed for installation in a ducted system. Casing of rolled and electro-welded steel sheet, powder coated RAL9005. Impeller in polypropylene. Casing in acid-proof steel or galvanized steel and impellers in fiberglass reinforced polyamide, in die-cast aluminium or steel sheet may be supplied on request.

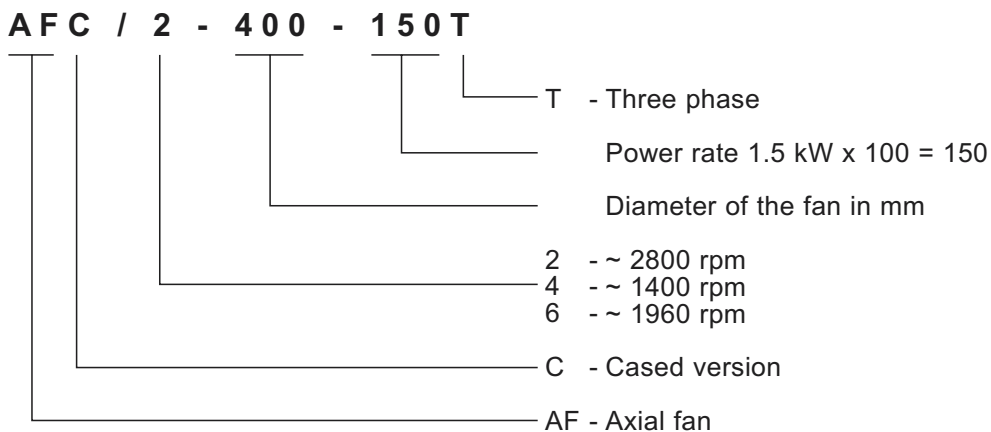
**Motor**

220-240/380-420V, 50 Hz (380-420/660-690V over 3kW) three-phase or 220-240V, 50Hz single-phase asynchronous motor with squirrel cage rotor, in accordance with IEC72 and IEC34-1. Insulation class F, enclosure IP55. Special voltage or frequency, improved enclosure IP65, explosion proof motor may be supplied on request. Wiring diagram, see page 235.

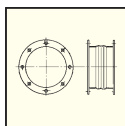
AFC MOBILE REV



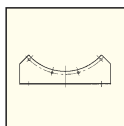
**Model numbering system**



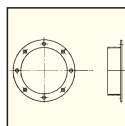
**Accessories**



Sleeve  
AFC  
page 69



AFC  
page 69



Sleeve coupling  
AFC  
page 69



Protection net  
AFC  
page 69



PER-CN  
page 68

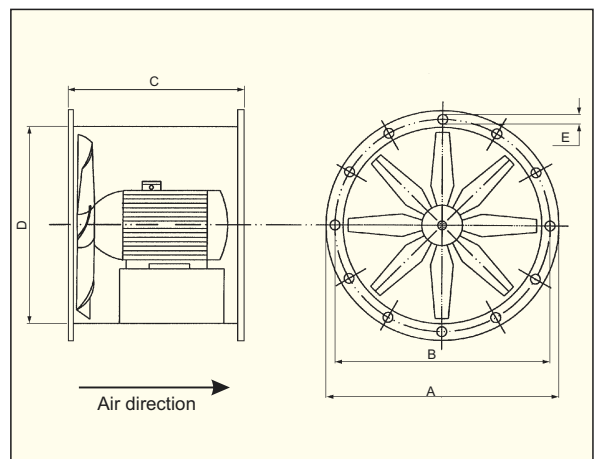
## Technical specification

Type	Speed rpm	Voltage V	Motor power kW	Maximum current A	Sound level* dB (A)	Maximum duty m³/h	Weight kg	Article number
AFC/2-250-025S	2850	230V	0,25	1,8	72	2250	15	213 912 250
AFC/2-315-037S	2860	230V	0,37	2,5	74	3400	17	213 912 315
AFC/2-355-055S	2860	230V	0,55	3,4	77	4500	30	213 912 355
AFC/2-250-025T	2760	400V	0,25	0,65	72	2250	15	213 911 250
AFC/2-250-037T	2800	400V	0,37	1,0	72	2600	15	213 911 253
AFC/2-315-037T	2800	400V	0,37	1,0	74	3400	17	213 911 315
AFC/2-315-075T	2800	400V	0,75	1,9	77	5000	20	213 911 317
AFC/2-355-055T	2790	400V	0,55	1,35	77	4500	30	213 911 355
AFC/2-355-110T	2780	400V	1,1	2,5	78	5700	35	213 911 356
AFC/2-400-150	2800	400V	1,5	3,4	80	7800	37	213 911 400
AFC/2-450-220	2800	400V	2,2	4,7	81	9500	57	213 911 450
AFC/2-450-300	2800	400V	3,0	6,5	81	12000	57	213 911 453
AFC/2-500-300	2800	400V	3,0	6,5	81	15000	60	213 911 500
AFC/4-560-150	1440	400V	1,5	4,3	82	14000	65	213 911 560
AFC/4-630-220	1420	400V	2,2	4,8	82	18200	75	213 911 630
AFC/4-710-400	1440	400V	4,0	8,1	83	25500	80	213 911 710
AFC/4-800-400	1440	400V	4,0	8,1	83	30000	85	213 911 800
AFC/4-900-400	1440	400V	4,0	8,1	83	32500	90	213 911 900
AFC/4-900P-750	1440	400V	7,5	14,4	83	43500	108	213 911 905
AFC/4-1000-1100	1440	400V	11,0	21,2	83	55000	160	213 911 910
AFC/6-1250-1100	960	400V	11,0	22,2	84	75000	230	213 911 912
AFC/6-1500-1100	960	400V	11,0	22,2	85	80000	350	213 911 915
AFC/8-2000-1100	700	400V	11,0	25,1	88	120000	500	213 911 920

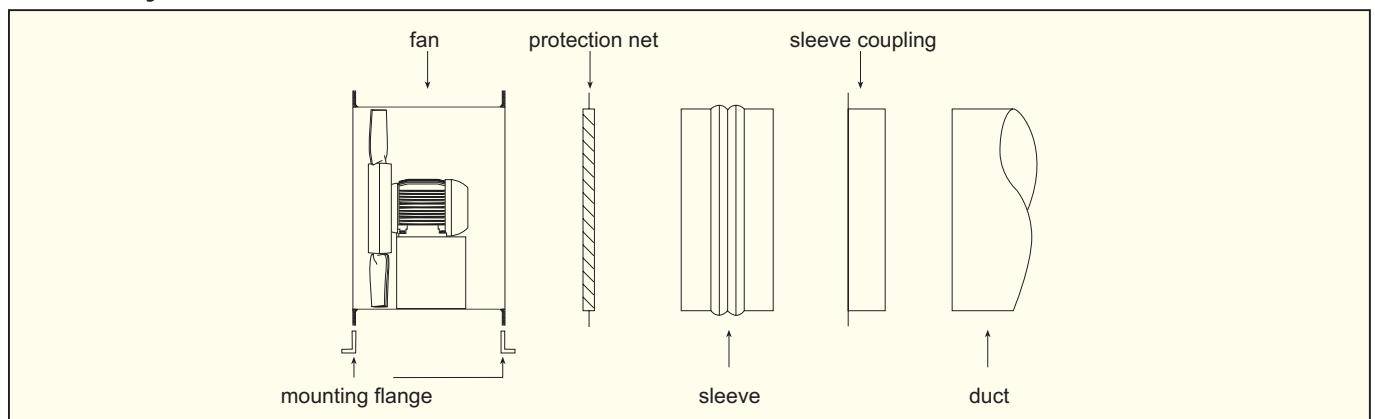
\* - distance 1 m

## Dimensions in mm

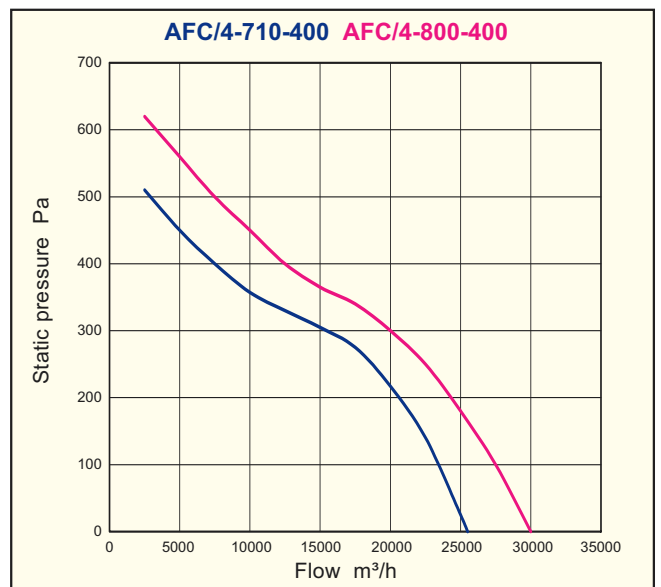
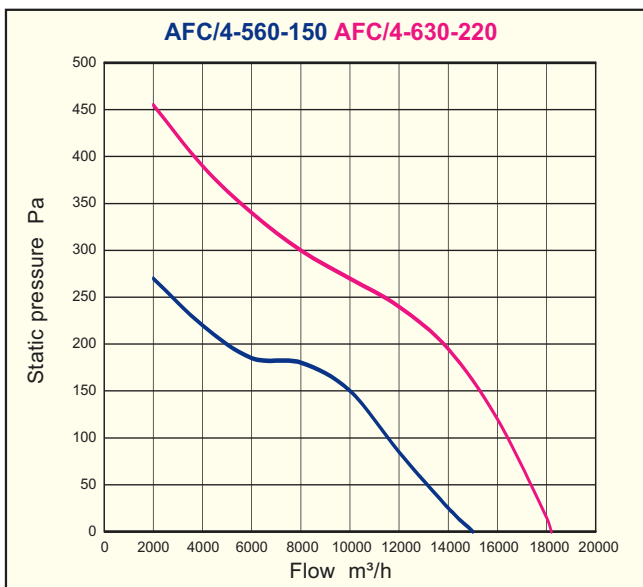
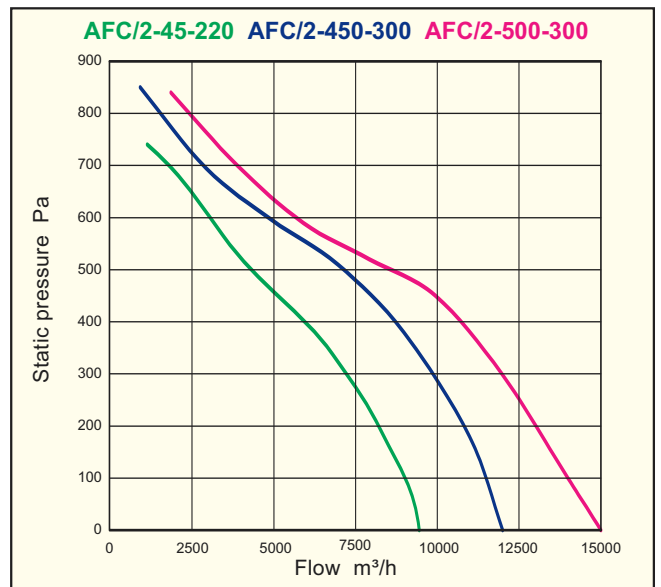
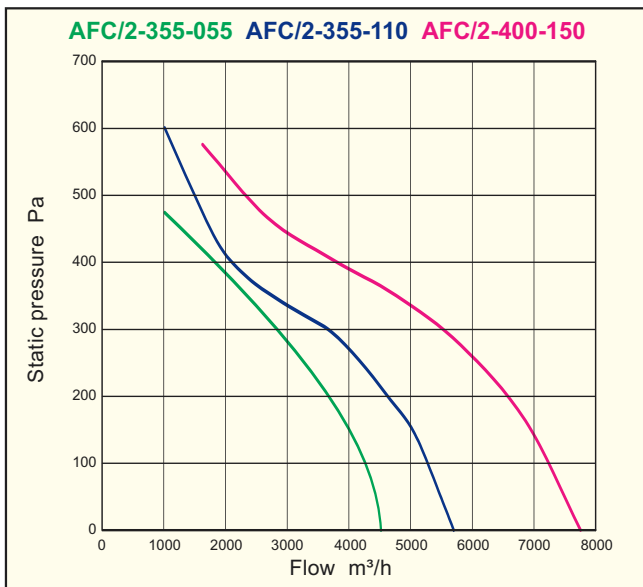
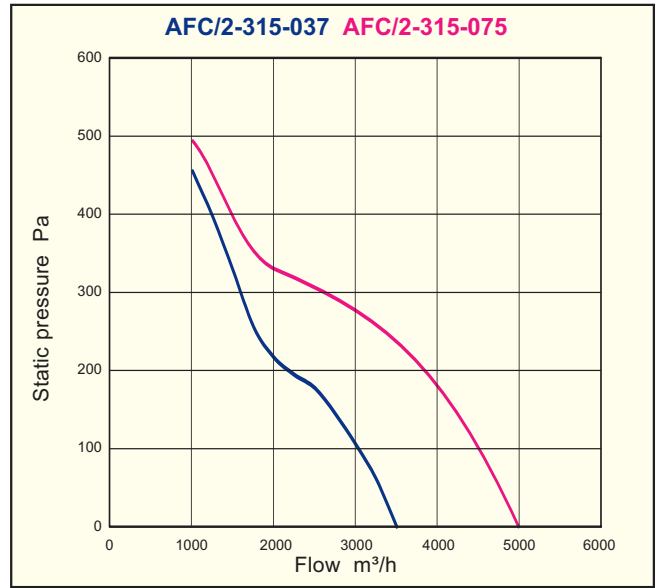
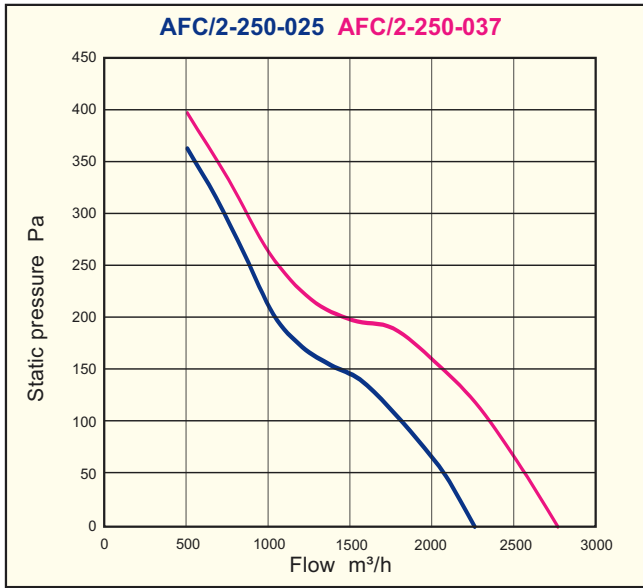
Type	A	B	C	D	E	Number of holes
AFC/2-250-037	310	280	300	250	8	8
AFC/2-315-110	375	345	330	315	8	8
AFC/2-355-110	426	395	380	355	10	8
AFC/2-400-150	500	450	380	400	10	8
AFC/2-450-□	550	500	430	450	10	8
AFC/2-500-300	600	550	450	500	12	12
AFC/4-560-150	660	610	450	560	12	12
AFC/4-630-220	736	690	500	630	12	12
AFC/4-710-400	810	760	470	710	12	12
AFC/4-800-400	900	850	480	800	12	12
AFC/4-900-400	1000	950	490	900	12	12
AFC/4-900P-750	1000	950	570	900	12	12
AFC/4-1000-1100	1100	1050	730	1000	12	12
AFC/6-1250-1100	1350	1310	750	1250	12	16
AFC/6-1500-1100	1700	1600	750	1500	16	24
AFC/8-2000-1100	2200	2100	1010	2000	16	24

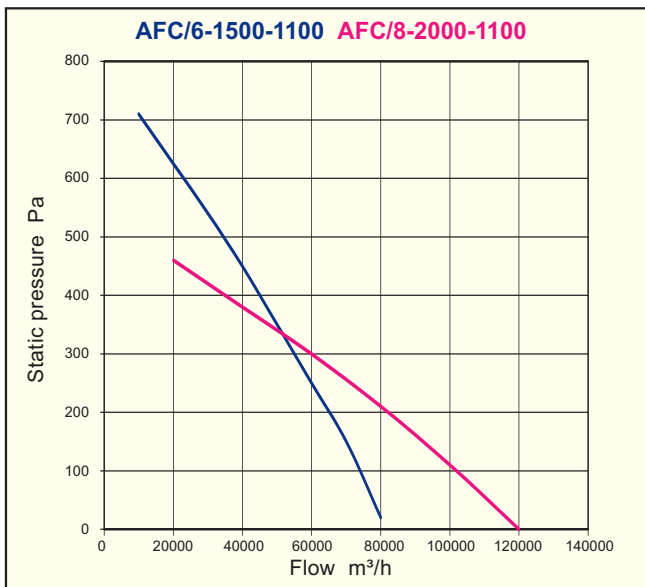
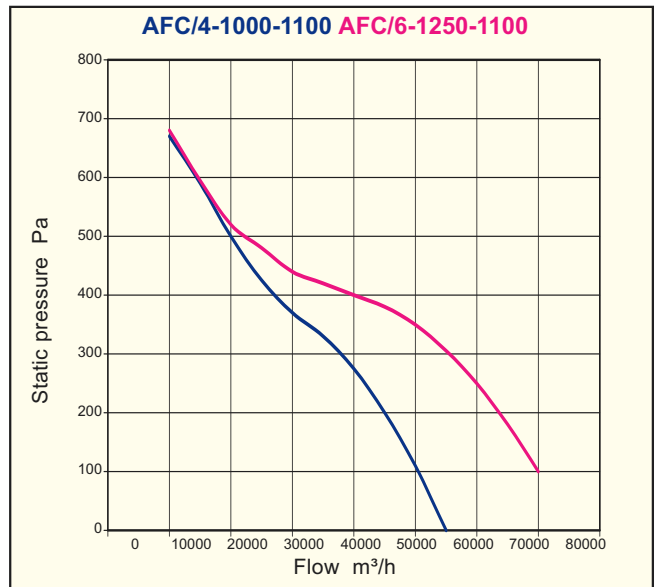
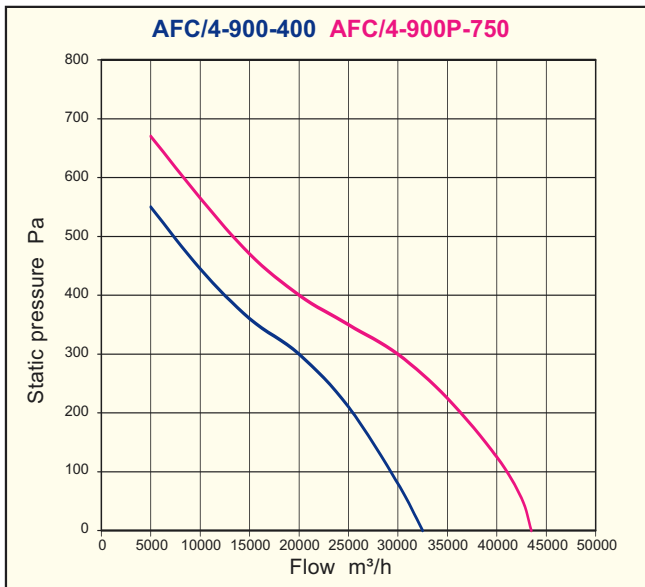


## Assembly instructions



Performance curves









**Construction**

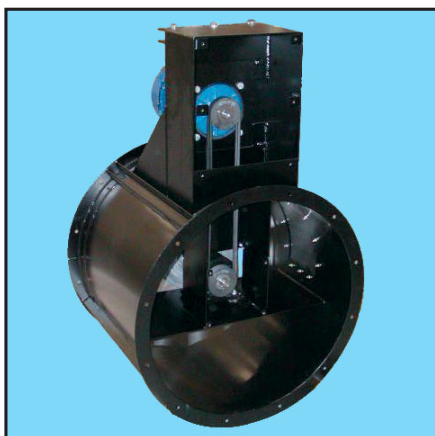
Belt driven axial-flow fan for installation in a ducted system. Casing of powder coated steel sheet, RAL9005. Impellers in fiberglass reinforced polyamide. Casing in acid-proof steel or galvanized steel and impellers in die-cast aluminium or steel sheet may be supplied on request. Maximum allowed temperature for transported air is -20°C to 100°C.

For performance curves see AFC.

**Motor**

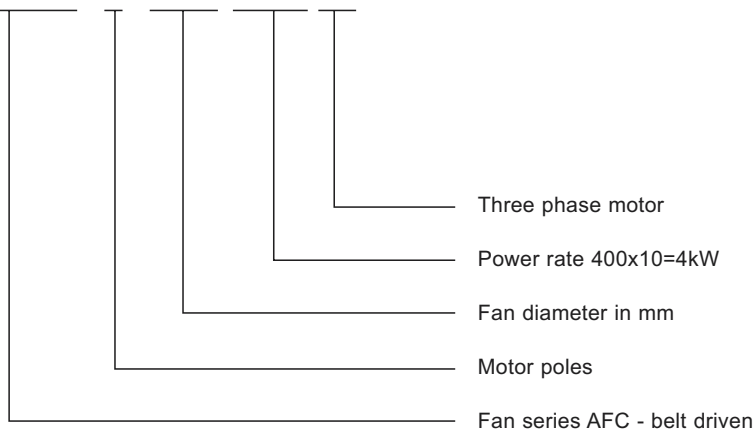
220-240/380-420V, 50Hz (380-420/660-690V over 3kW) three phase or 220-240V, 50Hz single-phase asynchronous motor with squirrel cage rotor, in accordance with IEC 72 and IEC 34-1. Insulation class F, enclosure IP55. Special voltage or frequency, improved enclosure IP65, explosion proof motor may be supplied on request.

Wiring diagram see page 235.

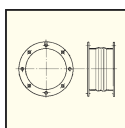


**Model numbering system**

**AFC-VB/4-710-400 T**

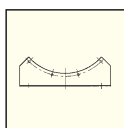


**Accessories**



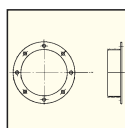
Sleeve AFC

page 69



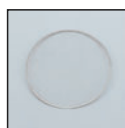
Stand AFC

page 69



Coupling

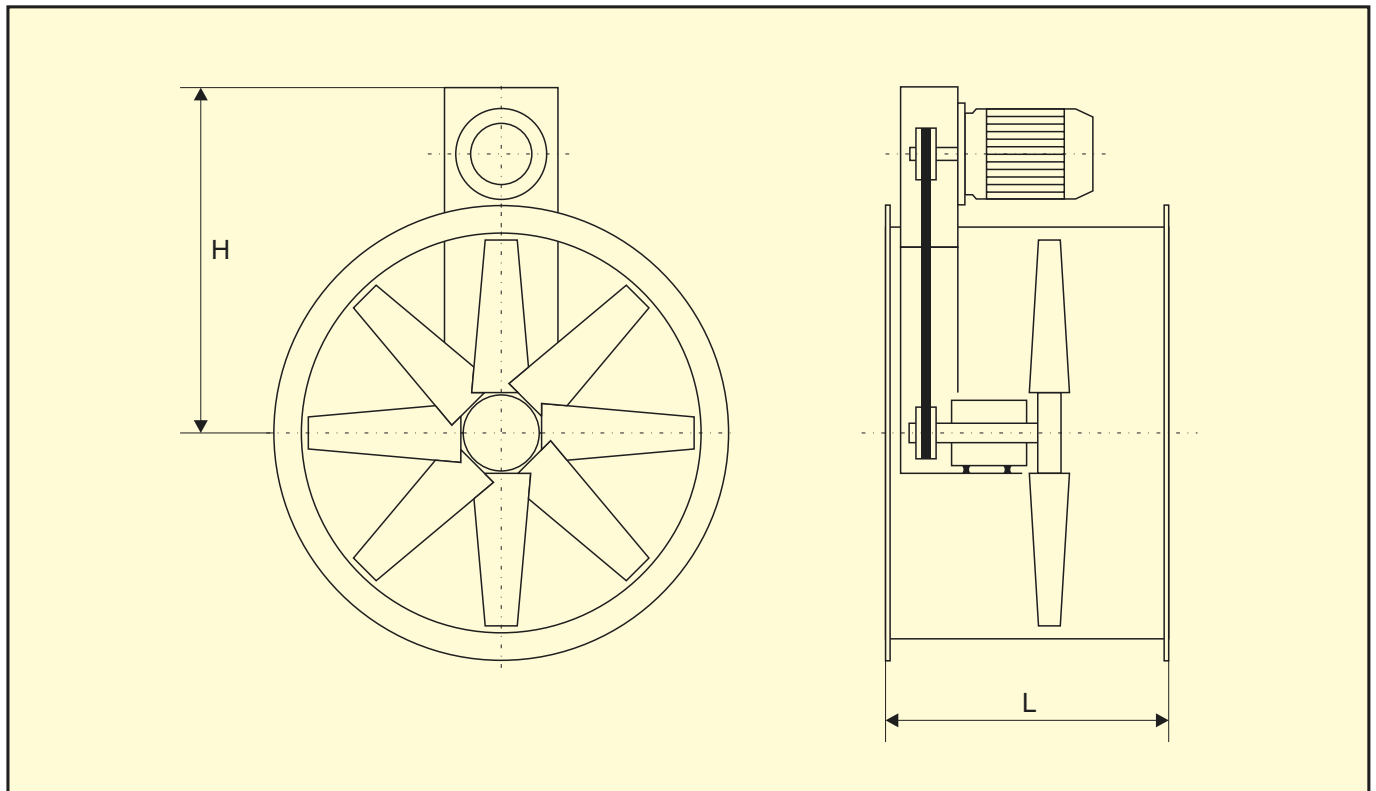
page 69



Protection net

page 69

**Data and dimensions in mm**



For characteristics see AFC.

**Data**

Type	Voltage V	Motor power kW	Maximum current A	L	H	Article number
AFC-VB/2-400-150	400	1,5	3,4	480	480	213917100
AFC-VB/2-450-300	400	3	6,5	500	540	213917110
AFC-VB/2-500-300	400	3	6,5	500	570	213917120
AFC-VB/4-560-150	400	1,5	4,3	500	600	213917130
AFC-VB/4-630-220	400	2,2	4,8	660	670	213917140
AFC-VB/4-710-400	400	4	8,1	810	660	213917150
AFC-VB/4-800-400	400	4	8,1	850	750	213917160
AFC-VB/4-900-400	400	4	8,1	1000	900	213917170
AFC-VB/4-900-750	400	7,5	14,4	1000	900	213917180
AFC-VB/4-1000-1100	400	11	21,2	1205	1004	213917190



**Construction**

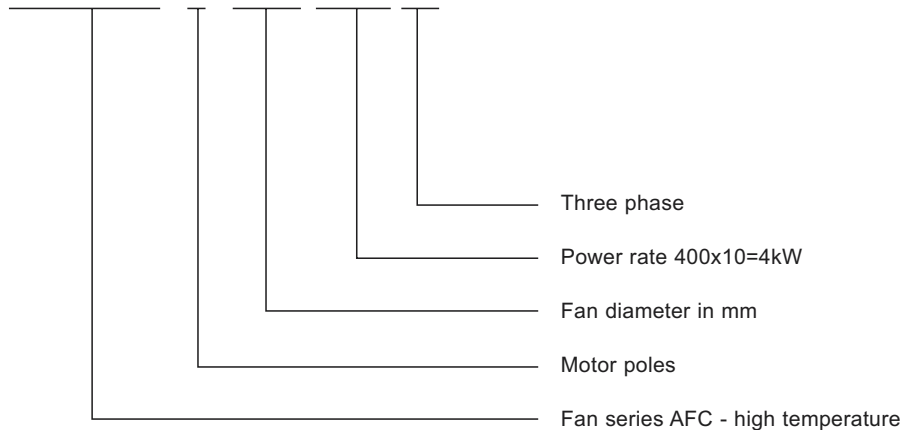
Axial fan designed for installation in a ducted system. Casing of steel sheet, powder coated RAL7042. Made for temperatures up to 90°C continuous running (100°C 10 min/h). Impeller in die-cast aluminium. Casing in acid-proof steel or galvanized steel may be supplied on request. For performance curves see AFC.

**Motor**

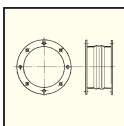
220-240/380-420V, 50Hz (380-420/660-690V over 3kW) three-phase or 220-240V, 50Hz single-phase asynchronous motor with squirrel cage rotor. Insulation class F, enclosure IP55. Special voltage or frequency, improved enclosure IP65, may be supplied on request. Wiring diagram see page 235.

**Model numbering system**

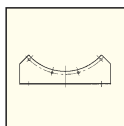
**AFC-HT/4-710-400 T**



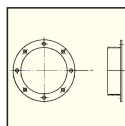
**Accessories**



Sleeve  
AFC  
page 69



Stand  
AFC  
page 69



Coupling  
page 69



Protection  
net  
page 69



**Construction**

Axial-flow fan in cased version with casing welded of acid-proof steel and reversible impeller in die casted aluminium, dynamically balanced according to ISO1940. The fan is suitable for usage in environments with very high humidity.

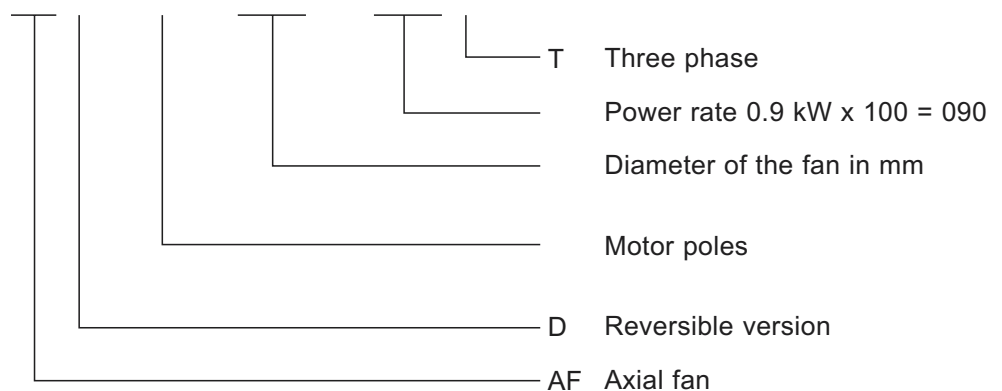
**Motor**

220-240/380-420V, 50 Hz (380-420/660-720V over 3kW) three-phase or 220-240V, 50Hz single-phase asynchronous motor with squirrel cage rotor, in accordance with IEC72 and IEC34-1. Insulation class H, enclosure IP55. Special voltage or frequency, improved enclosure IP65, explosion proof motor may be supplied on request. Wiring diagram, see page 235.



**Model numbering system**

**AFD / 2 - 600 - 090 T**

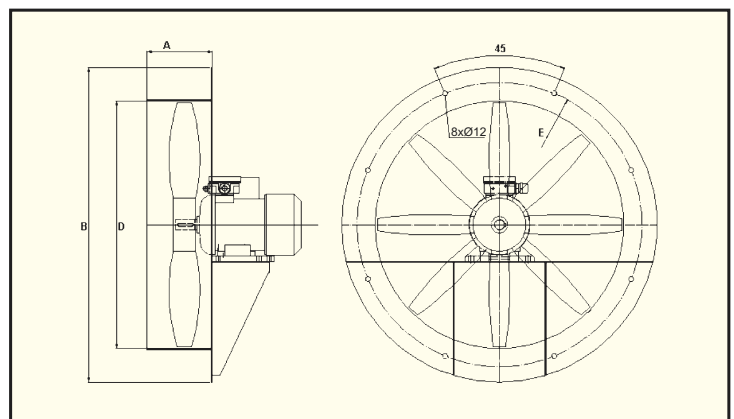


**Data**

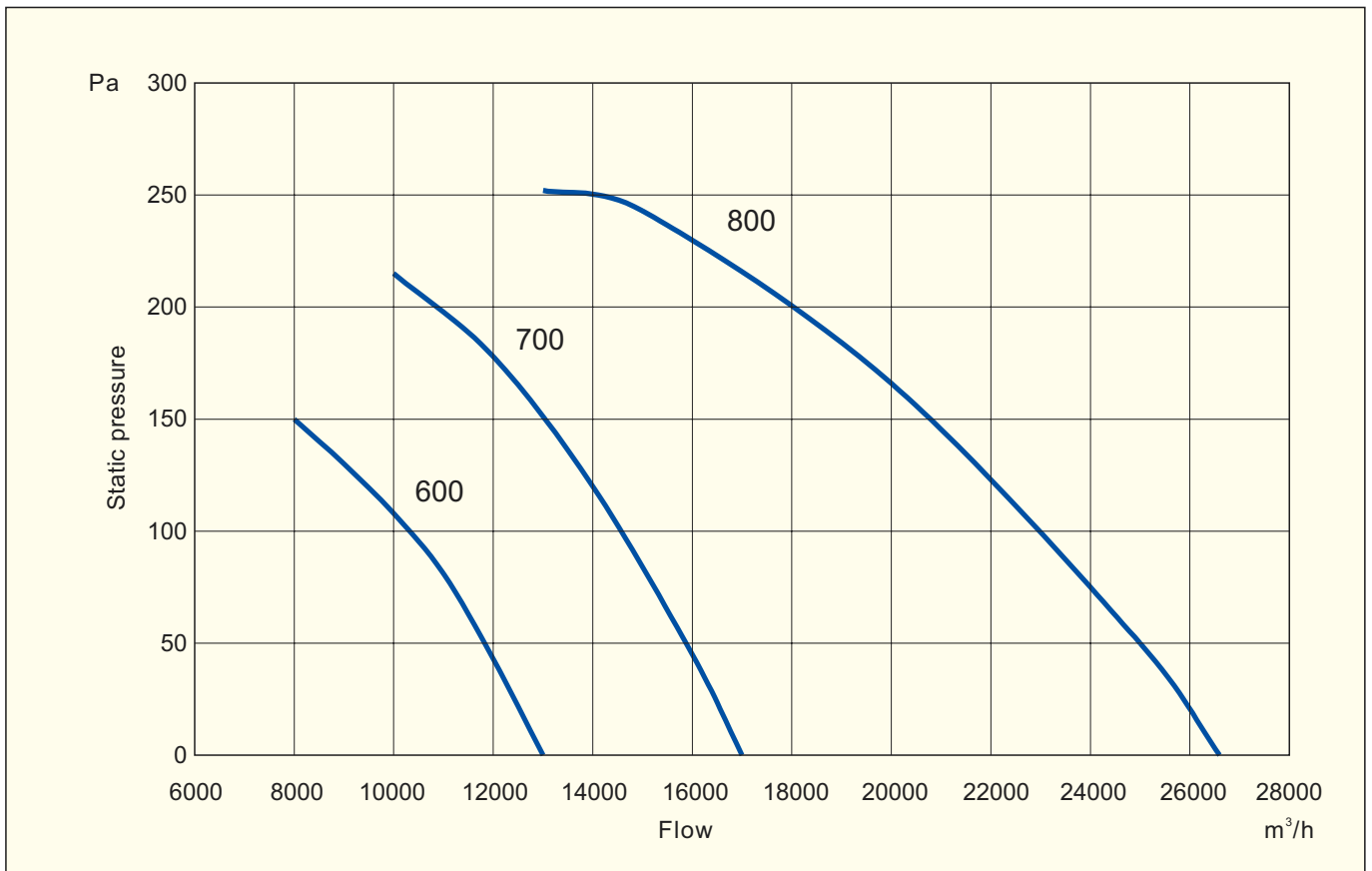
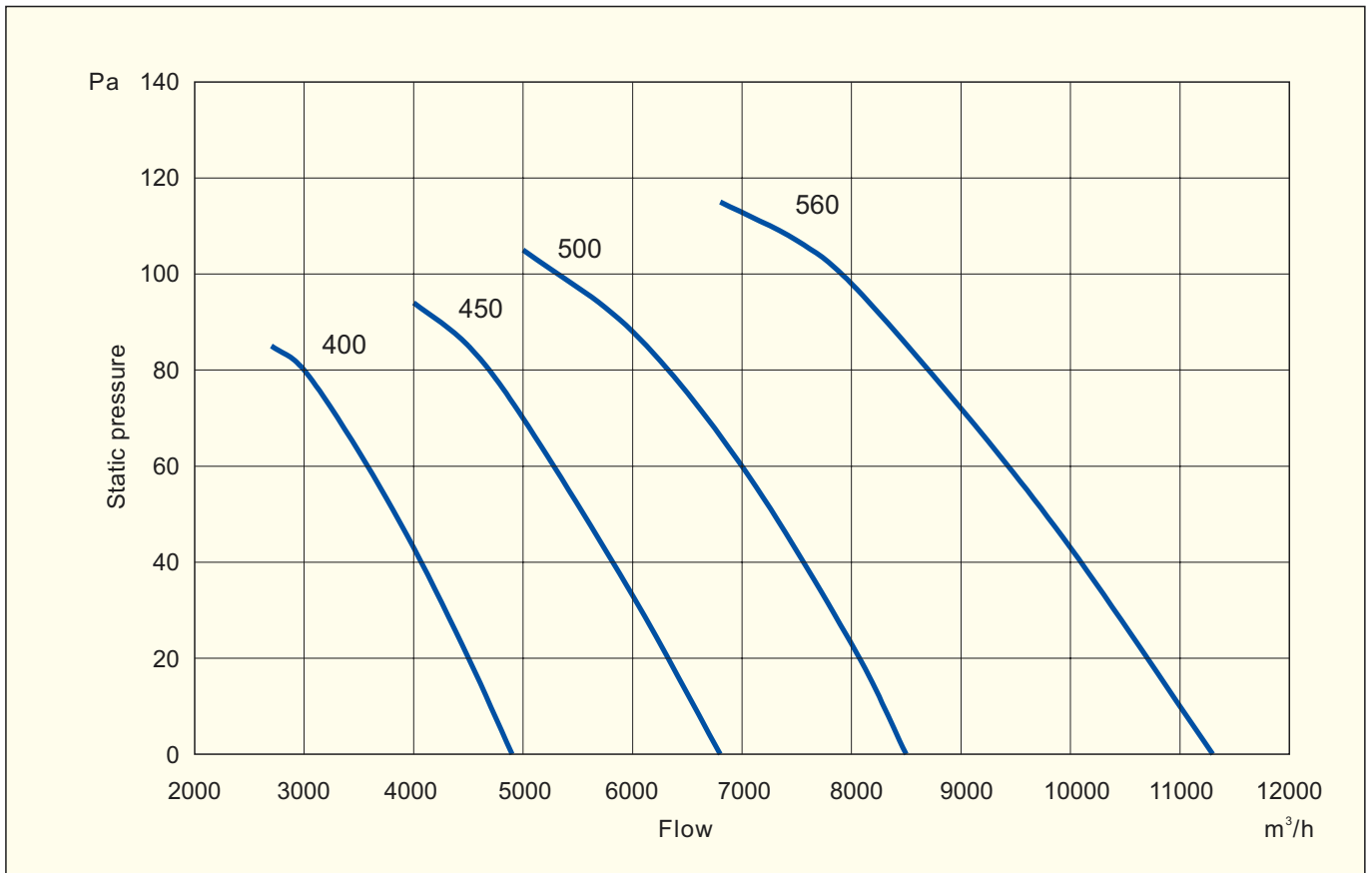
Type	Speed rpm	Motor power kW	Voltage V	Maximum current A	Maximum duty m³/h	Article number
AFD/4-400-025T	1400	0,25	400	0,71	4 900,00	213 913 400
AFD/4-450-037T	1400	0,37	400	0,98	6 800,00	213 913 450
AFD/4-500-055T	1400	0,55	400	1,5	8 500,00	213 913 500
AFD/4-560-090T	1400	0,90	400	2,4	11 300,00	213 913 560
AFD/4-600-090T	1450	0,90	400	2,4	13 000,00	213 913 600
AFD/4-700-220T	1420	2,2	400	4,8	17 000,00	213 913 700
AFD/4-800-300T	1420	3,0	400	6,5	26 600,00	213 913 800

**Dimensions in mm**

Type	A	B	D	E
400	100	500	410	450
450	100	550	460	500
500	100	600	510	550
560	100	660	570	610
600	160	775	610	700
700	160	875	710	800
800	160	975	810	900



Performance curves





### Construction

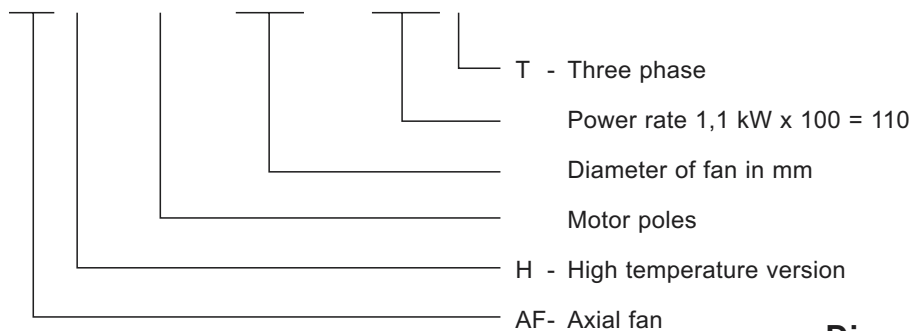
Bifurcated axial fan in tubular version, with motor placed in a chamber, isolated from the air stream. Design allows continuous transportation of gases with max. temp. 150°C. Casing of rolled and electro-welded steel sheet, powder coated. Impeller in die-casted aluminium. Casings in acid-proof steel or galvanized steel and impellers in steel sheet may be supplied on request.

### Motor

220-240/380-420V, 50Hz (380-420/660-720V over 3kW) three-phase or 220-240V, 50Hz single-phase asynchronous motor with squirrel cage rotor, in accordance with IEC72 and IEC-34-1. Insulation class F, enclosure IP55. Special voltage or frequency, improved enclosure IP65, explosion proof motor may be supplied on request. Wiring diagram, see page 235.

### Model numbering system

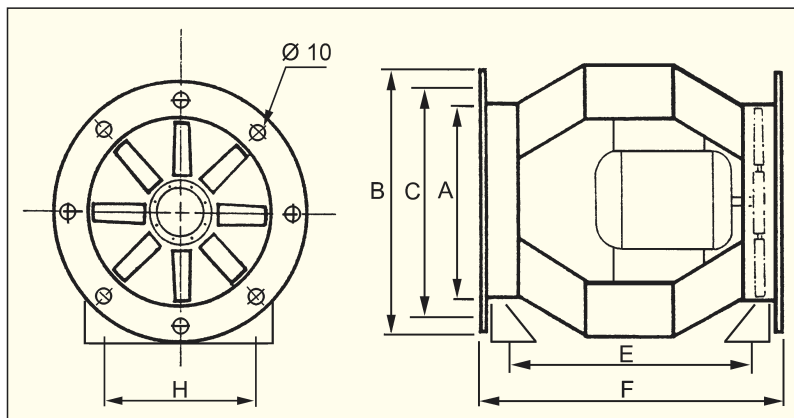
**AFH / 2 - 400 - 110 T**



### Maximum allowed temperature

+150°C - continuous running

+200°C - temporary running



### Dimensions in mm

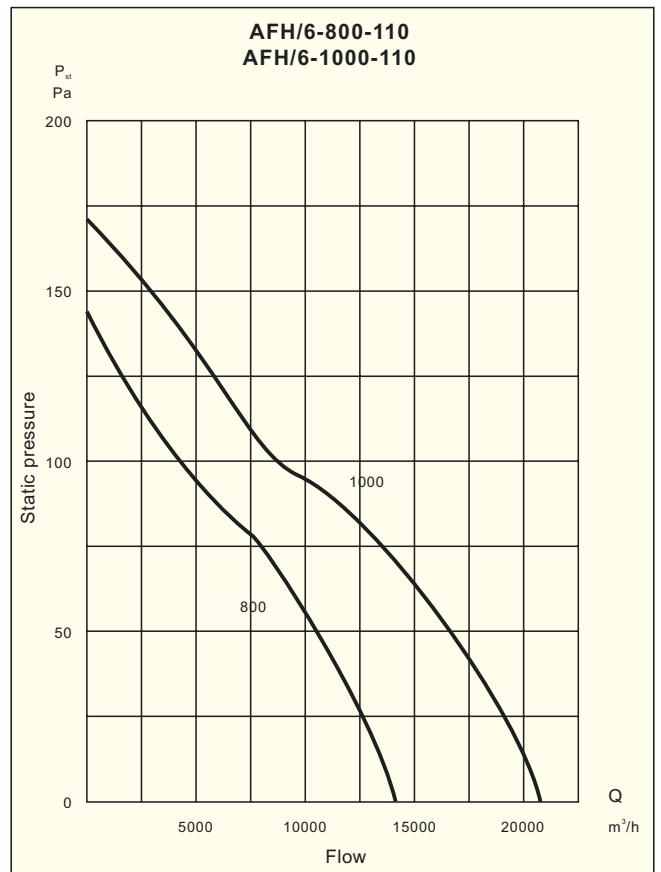
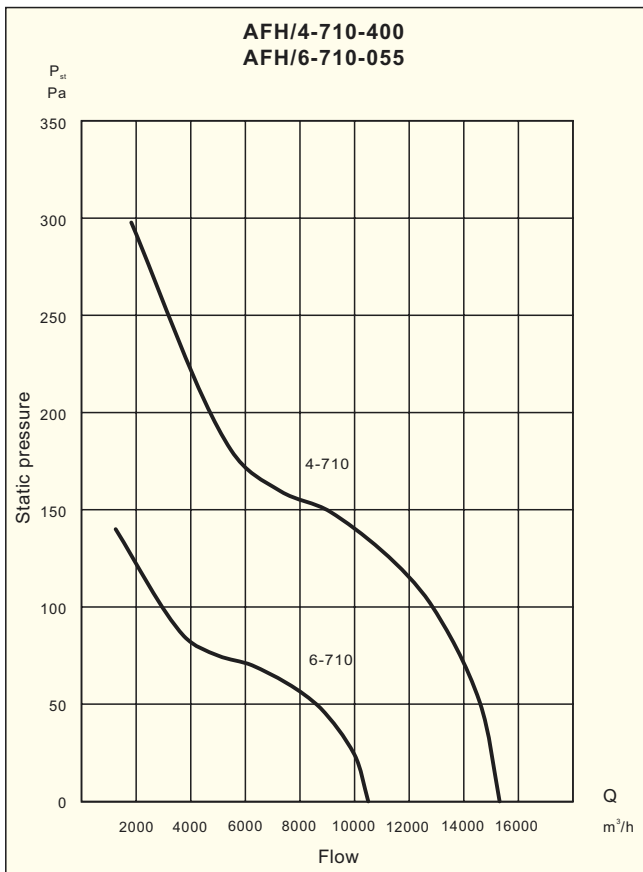
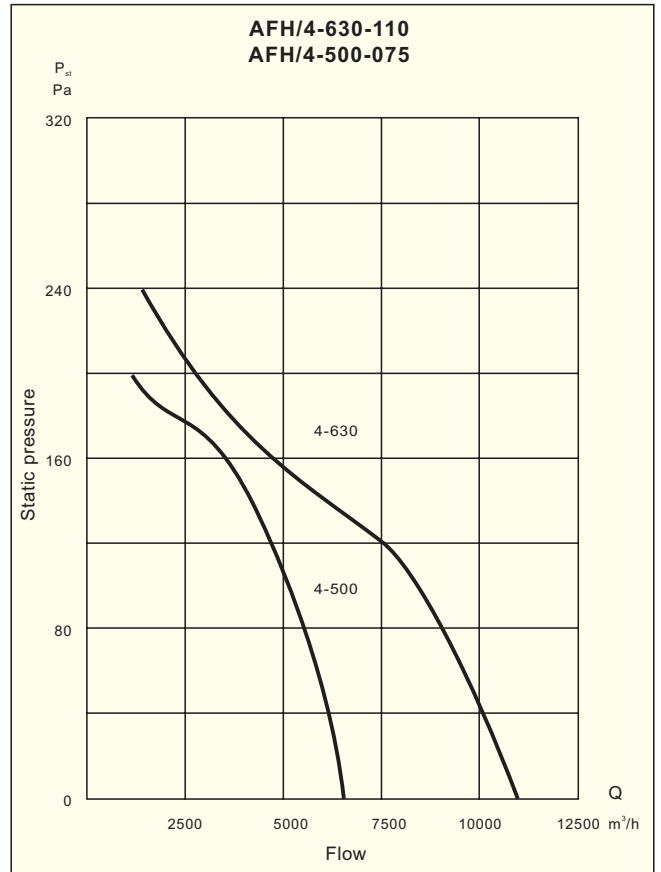
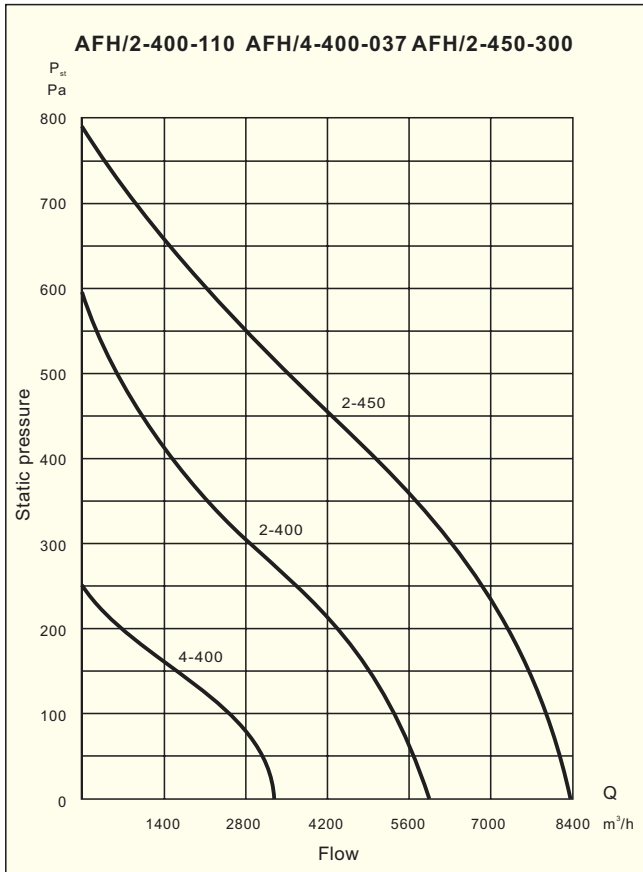
Type	A	B	C	E	F	H	No. of holes
AFH-400	400	504	460	422	580	200	8
AFH-450	450	554	500	572	640	340	8
AFH-500	500	606	556	662	730	280	8
AFH-630	630	736	686	662	730	340	12
AFH-710	710	830	766	702	770	310	12
AFH-800	800	906	856	702	830	370	12
AFH-1000	1000	1106	1056	1150	1270	550	12

### Technical specification

Type	Speed rpm	Motor power kW	Maximum current (400 V) A	Maximum duty m³/h	Sound level * dB (A)	Article number
AFH/2-400-110 S	2800	1,10	2,50	6150	83	113 912 090
AFH/2-400-110 T	2800	1,10	2,50	6150	83	113 912 100
AFH/4-400-037 T	1400	0,37	1,07	3300	74	113 912 110
AFH/2-450-300 T	2800	3,00	6,50	8400	85	113 912 300
AFH/4-500-075 T	1400	0,75	1,81	6300	76	113 912 400
AFH/4-630-110 T	1400	1,10	2,70	10800	78	113 912 500
AFH/4-710-400 T	1400	4,00	8,30	15300	80	113 912 610
AFH/6-710-055 T	920	0,55	1,65	10500	75	113 912 600
AFH/6-800-110 T	920	1,10	2,90	14400	76	113 912 700
AFH/6-1000-110 T	920	1,10	2,90	20080	81	113 912 800

\* - distance 3 m

Performance curves





**Construction**

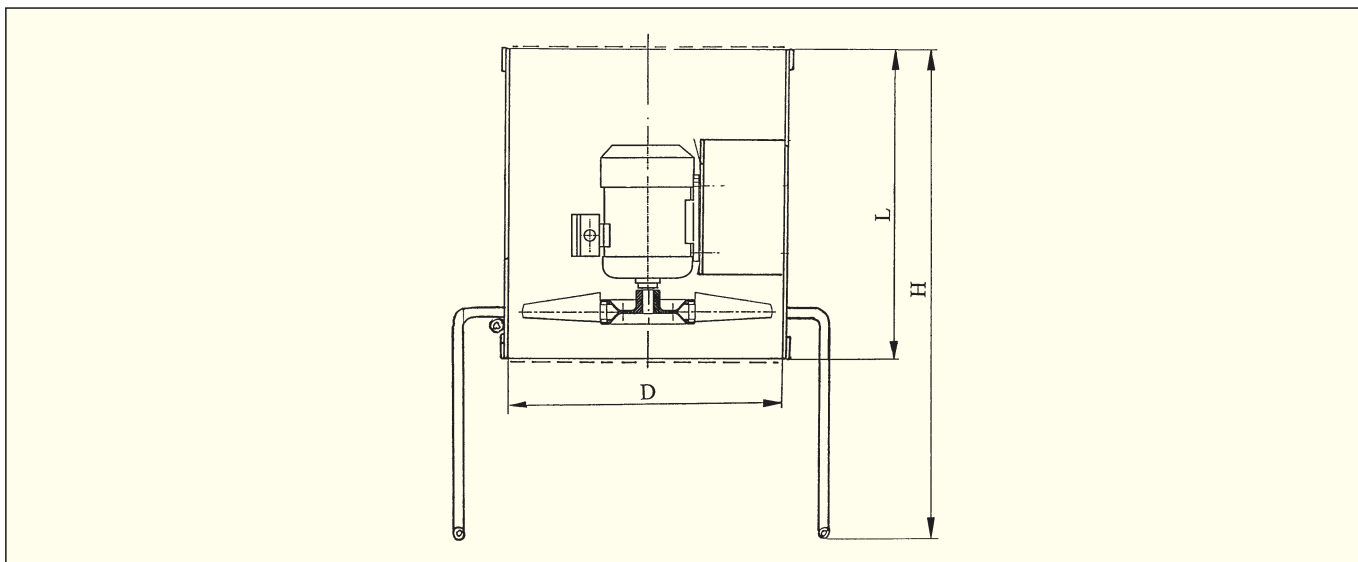
Axial-flow fan with vertical stand, casing in welded steel sheet, fan blades in fiberglass reinforced polypropylene with a hub in aluminium, dynamically balanced according to ISO1940, wire guards on the inlet and outlet. The fan is provided with a protection nets and a pre-assembled switch with a speed regulator. The fan can be used as a local cooler, dryer, exhauster or temperature balancer.

**Motor**

220-240V, 50Hz single-phase asynchronous motor. Enclosure IP55, class F insulation. Special voltage or frequency, and enclosure may be supplied on request.

Wiring diagram, see page 235.

**Dimensions in mm**



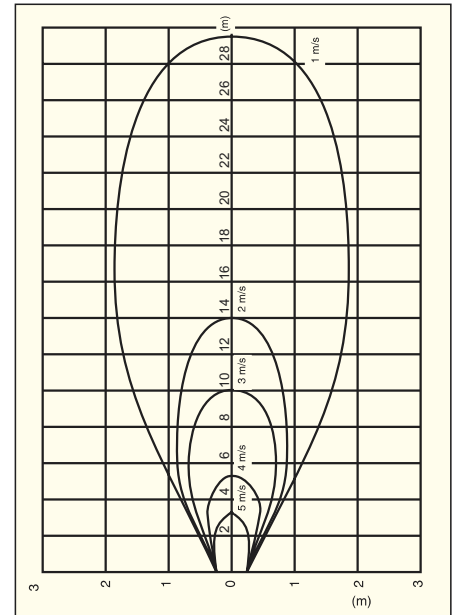
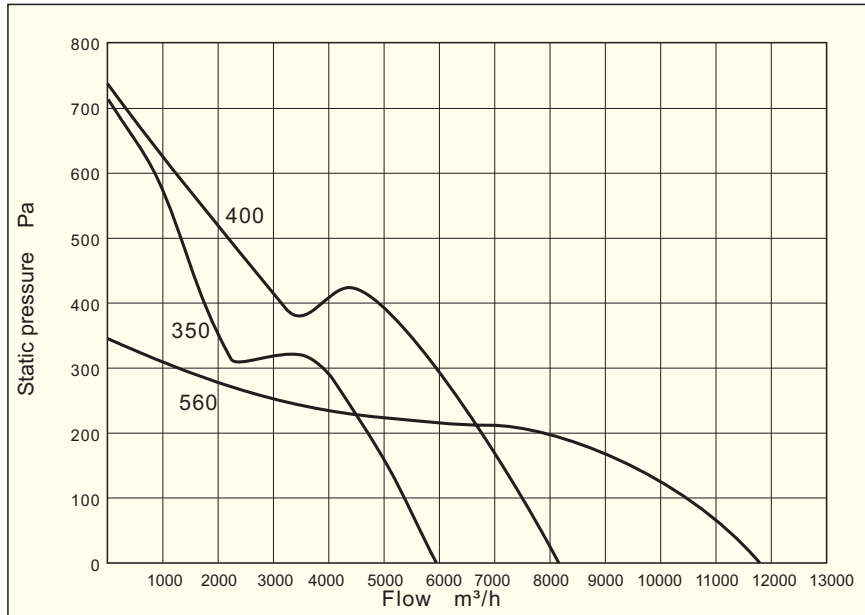
Type	D	L	H
AFS/2-350-055S	360	400	665
AFS/2-400-110S	410	410	680
AFS/4-560-110S	580	460	790

**Data**

Type	Speed rpm	Motor power kW	Maximum current A	Voltage V	Maximum flow m <sup>3</sup> /h	Sound pressure level dB (A)	Weight kg	Article number
AFS/2-350-055S	2860	0,55	3,4	230	5750	78	24	213 914 535
AFS/2-400-110S	2800	1,10	7,9	230	8000	80	26	213 914 540
AFS/4-560-110S	2860	1,10	7,0	230	12000	77	37	213 914 560



**Performance curves**





**Construction**

Axial-flow fan for duct mounting with a casing in welded steel sheet, fan blades in fiberglass reinforced polypropylene with a hub in aluminium, dynamically balanced according to ISO1940, wire guards on the inlet and outlet. The fan is provided with a stand and a pre-assembled switch with a speed regulator. The fan can be used as a local cooler, dryer, exhauster or temperature balancer.

**Motor**

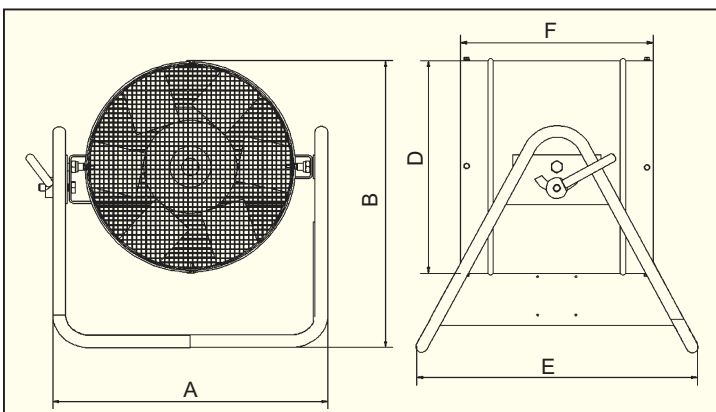
220–240V, 50Hz single-phase asynchronous motor according to UNE-113 and IEC34-1, with a thermal motor protection type Klixon. Enclosure IP55, class F insulation. Special voltage or frequency, and enclosure may be supplied on request. Wiring diagram, see page 235.

**Data**

Type	Speed rpm	Voltage V	Motor power kW	Maximum current A	Maximum duty m³/s	Sound level* dB (A)	Article number
AFK-315	1420	230	0,12	1,0	0,7	61	213 914 315
AFK-355	1420	230	0,18	1,4	1	62	213 914 355
AFK-400	1420	230	0,37	2,8	1,5	65	213 914 400
AFK-450	1420	230	0,55	3,8	2	69	213 914 450
AFK-500	1420	230	0,55	3,8	2,5	71	213 914 500
AFK-560	1420	230	0,55	3,8	3	72	213 914 560

\* - distance 1 m

**Dimensions in mm**

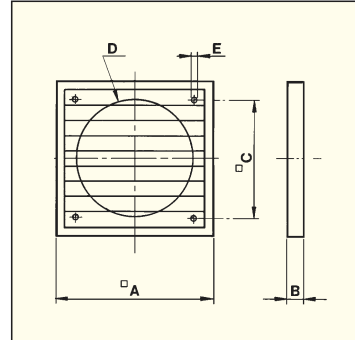


Type	A	B	D	E	F
AFK-315	430	450	315	400	300
AFK-355	470	500	355	450	320
AFK-400	520	560	400	500	350
AFK-450	570	600	450	650	400
AFK-500	620	700	500	650	400
AFK-560	680	800	560	700	500

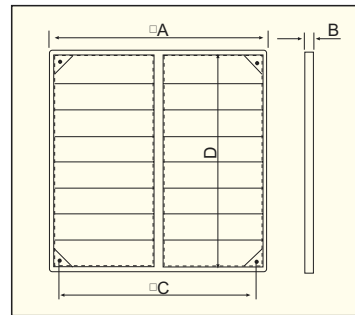


**PER-W**

**Louvre shutters in plastic**



Type	A	B	C	ØD	ØE
PER-100 W	123	12	90	98	4
PER-125 W	158	15	110	130	4
PER-160 W	178	20	130	152	4
PER-200 W/N	245	20	190	210	5
PER-250 W/N	299	25	235	260	5
PER-300 W/N	347	26	274	310	5
PER-350 W/N	397	26	310	360	5
PER-400 W/N	460	26	364	423	5
PER-450 W/N	501	31	395	460	5
PER-500 W/N	549	31	445	510	5

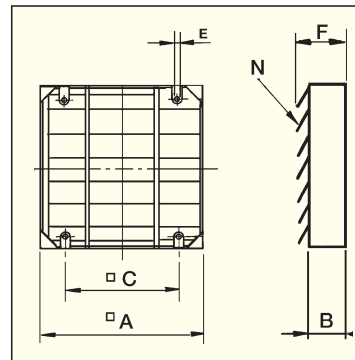


Type	A	D	C	B
PER-560 W/N	610	567	530	30
PER-650 W/N	701	660	626	31
PER-710 W/N	749	710	663	31
PER-800 W	840	800	772	40
PER-1000 W	1040	1000	972	40

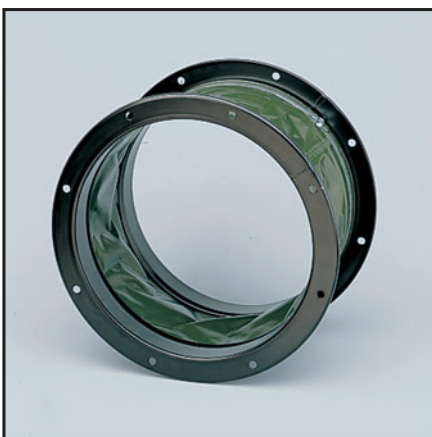


**PER-CN**

**Louvre shutters in aluminium sheet**

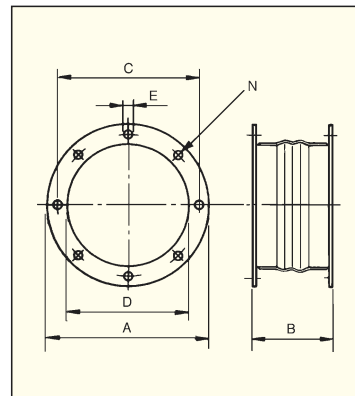


Type	A	B	C
PER-250 CN	333	40	287
PER-355 CN	398	40	352
PER-400 CN	451	40	405
PER-450 CN	504	40	458
PER-500 CN	557	40	511
PER-630 CN	700	50	590
PER-710 CN	800	50	690
PER-800 CN	900	50	790
PER-1000 CN	1100	50	990

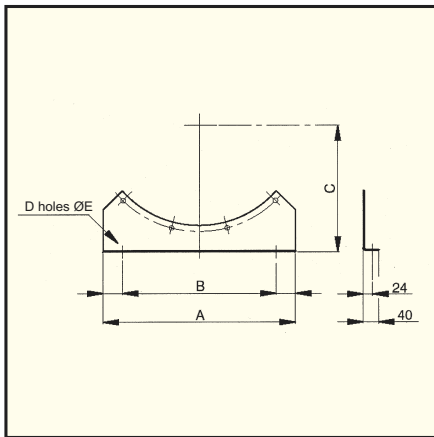


**ACOP**

**Flexible flange connector**

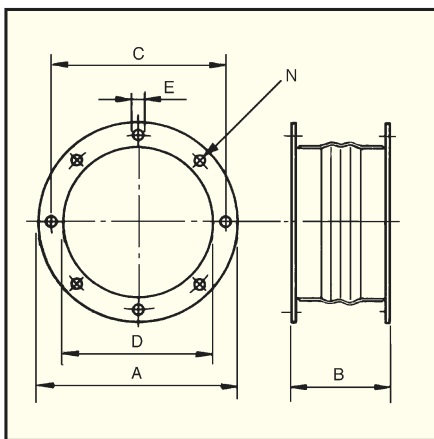


Type	ØA	B Max.	B Min.	ØC	ØD	ØE	N - No of holes
ACOP-250	323	200	110	292	250	10	4
ACOP-315	386	220	110	355	315	10	8
ACOP-355	426	220	110	395	355	10	8
ACOP-400	487	236	126	450	400	12	8
ACOP-450	537	236	126	500	450	12	8
ACOP-500	595	248	138	560	500	12	12
ACOP-560	655	298	138	620	560	12	12
ACOP-630	725	298	138	690	630	12	12
ACOP-710	806	298	138	770	710	12	16
ACOP-800	896	300	138	860	800	12	16



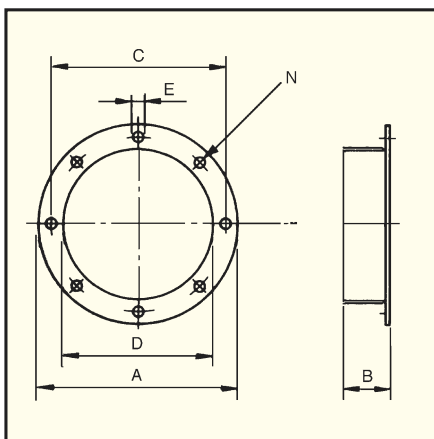
**Mounting base AFC**

Type	A	B	C	D	E
250	250	150	205	2	10
315	315	215	237	2	10
355	355	255	257	2	10
400	400	300	280	2	10
450	450	350	305	2	10
500	500	400	334	2	10
560	560	460	364	2	10
630	630	480	400	2	10
710	710	550	445	2	10
800	800	660	485	3	14
900	900	760	550	3	14
1000	1000	860	600	3	14
1250	1250	950	750	3	14



**Sleeve AFC**

Type	A	Bmax	Bmin	C	D	E	N - No of holes
250	305	200	110	280	250	8	8
315	370	200	110	345	315	8	8
355	420	200	110	395	355	10	8
400	495	250	125	450	400	10	8
450	545	250	125	500	450	10	8
500	595	250	125	550	500	12	12
560	655	300	150	610	560	12	12
630	731	300	150	690	630	12	12
710	805	300	150	760	710	12	12
800	895	300	150	850	800	12	12
900	995	300	150	950	900	12	12
1000	1095	300	150	1050	1000	12	12



**Sleeve coupling AFC**

Type	A	B	C	D	E	N - Number of holes
250	305	55	280	250	8	8
315	370	55	345	315	8	8
355	420	55	395	355	10	8
400	495	60	450	400	10	8
450	545	60	500	450	10	8
500	595	60	550	500	12	12
560	655	75	610	560	12	12
630	731	75	690	630	12	12
710	805	75	760	710	12	12
800	895	75	850	800	12	12
900	995	75	950	900	12	12
1000	1095	75	1050	1000	12	12
1250		75				
1500		75				
2000		75				

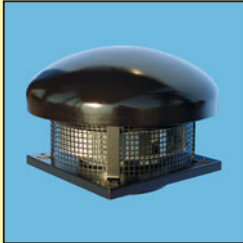


**Protection net AFC**

Protection nets for inlets and outlets for axial fan AFC may be delivered on request.

Lined area for notes with horizontal ruling lines.





<b>RF</b>	<b>72</b>
<b>RFV</b>	<b>75</b>
<b>RBH</b>	<b>77</b>
<b>CTH..., CTV...</b>	<b>79</b>
<b>Accessories</b>	<b>86</b>

**In-Line Fans**

**Axial-flow Fans Wall Versions**

**Axial-flow Fans Cased Versions**

**Roof Fans**

**Fans "ATEX"**

**Centrifugal Fans VISP/VASP**

**Centrifugal Fans**

**Side Channel Blowers**

**Chip Extractors**

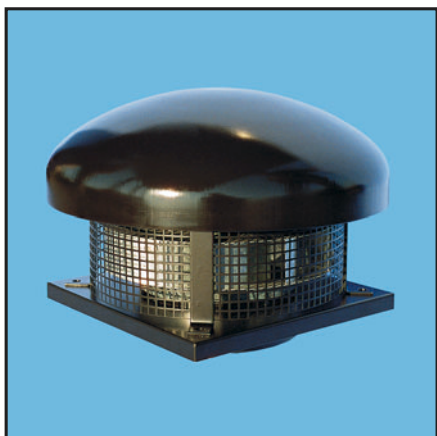
**Domestic Fans**

**Accessories**

**Electric Diagrams**

**General Information**

**Index**



**Construction**

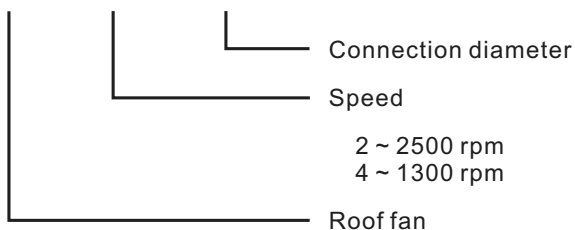
Roof fan for horizontal discharge with cowl pressed of steel sheet. Base welded of steel sheet. All the metallic parts are protected with black powder paint RAL9005. Backward curved impeller. Cowls and bases in other materials may be supplied on request.

**Motor**

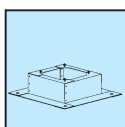
220-240V, 50Hz single-phase external rotor motor with capacitor, suitable for speed control. Enclosure IP44, insulation class B. Special voltage or frequency, improved enclosure and motors with thermal protection may be supplied on request. Wiring diagram, see page 236.

**Model numbering system**

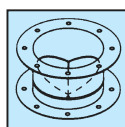
**R F / 2 - 125**



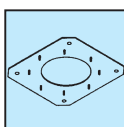
**Accessories**



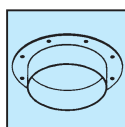
RS  
page 86



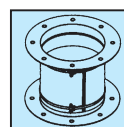
JCA  
page 85



JPA  
page 85



JBR  
page 85



JAE  
page 85



ACOP PL  
page 26



REB  
page 230



RMB  
page 230



HIG-2  
page 231



SQA  
page 231

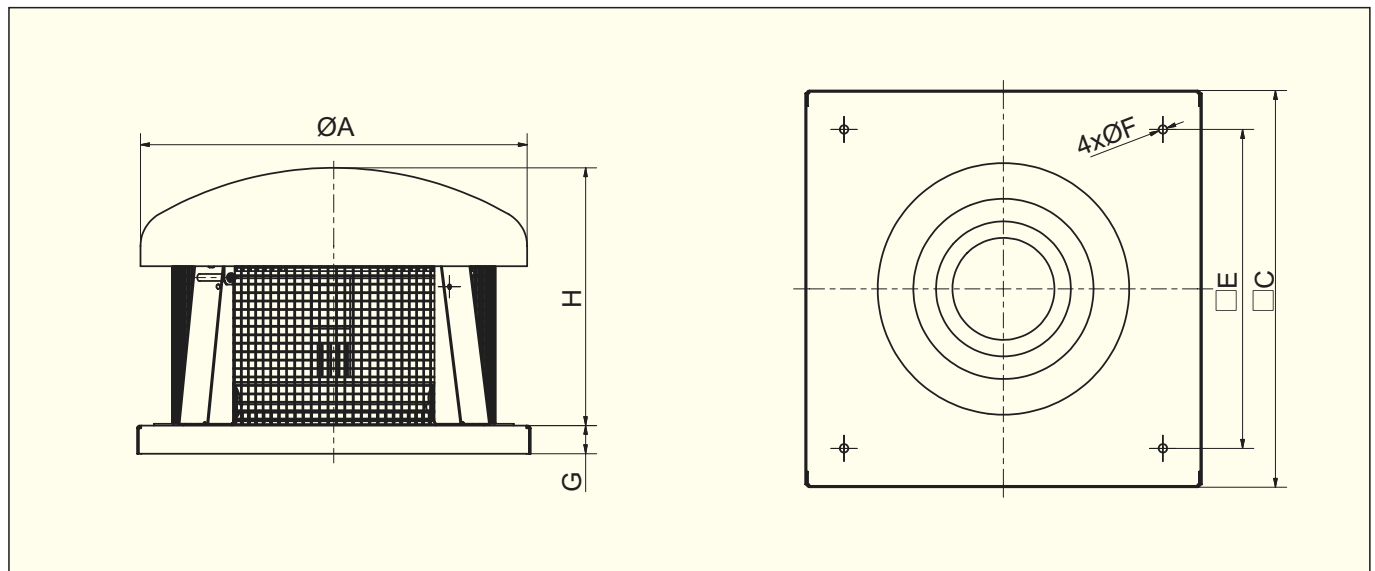


TS, TK  
page 231

**Technical specification**

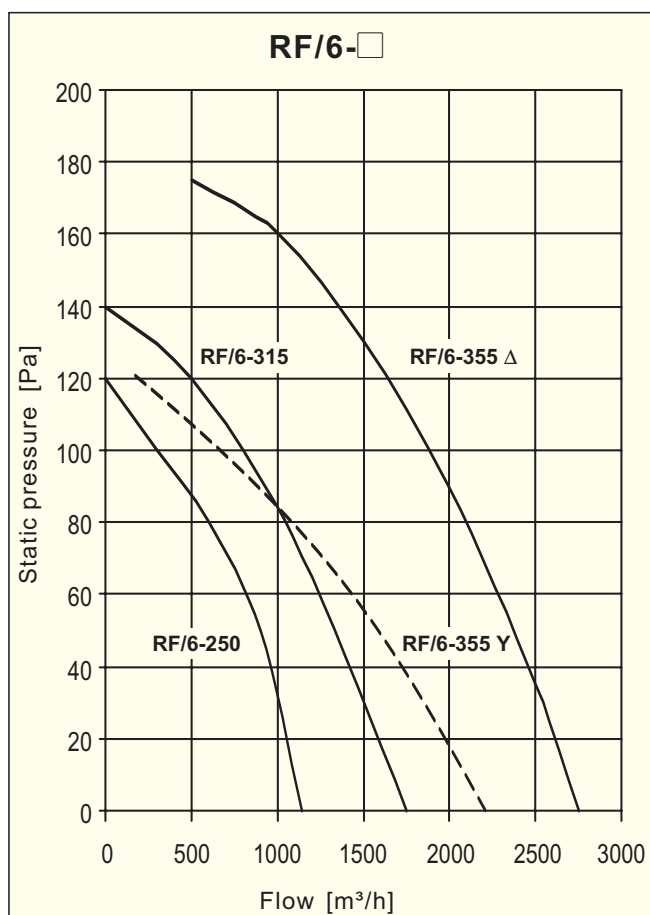
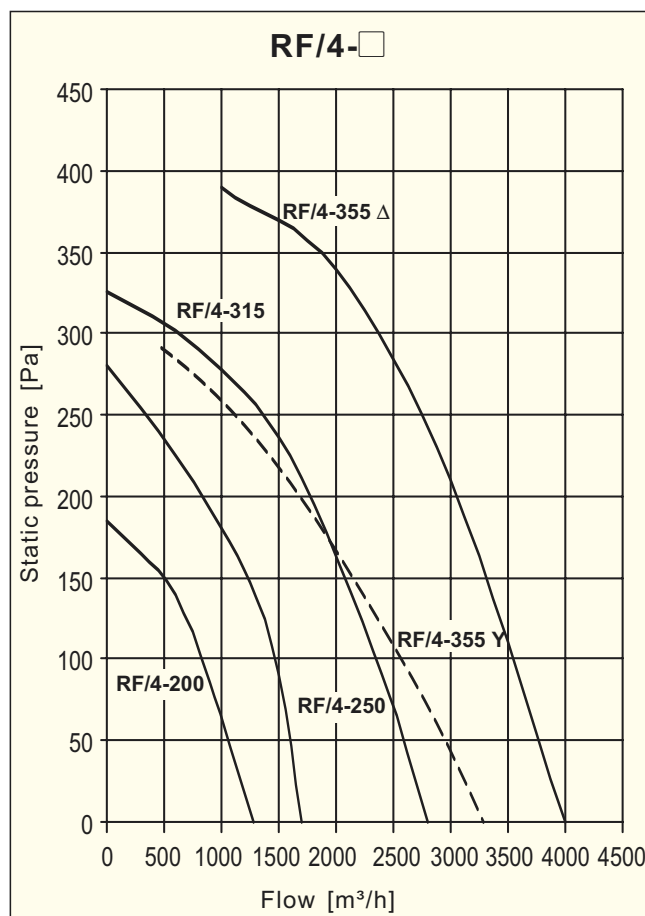
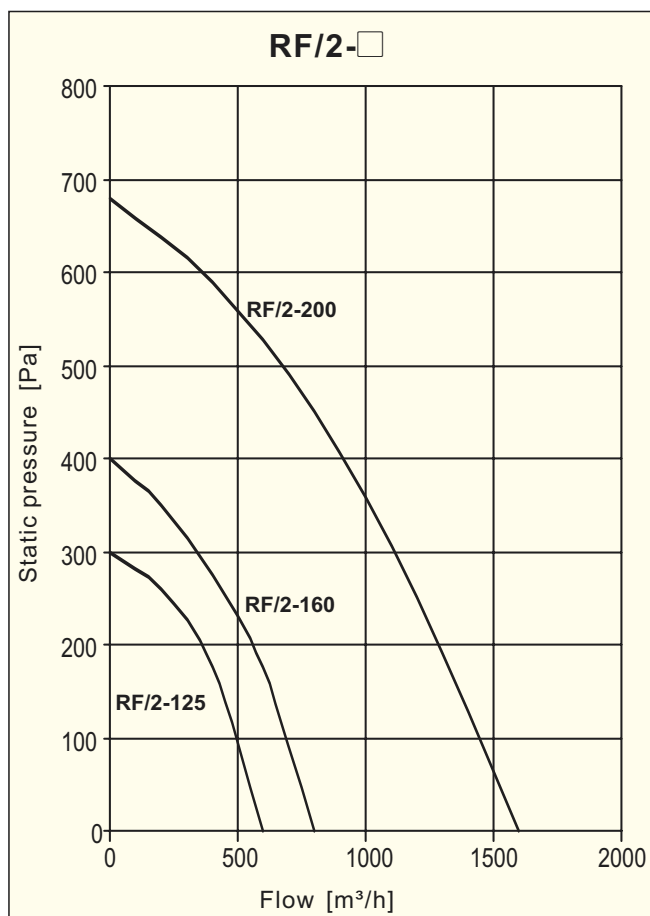
Type	Speed rpm	Motor power W	Voltage V	Maximum current A	Maximum duty m³/h	Sound pressure level dB(A)	Weight kg	Article number
RF/2-125	2400	85	230	0,34	600	68	7,5	213 900 125
RF/2-160	2790	110	230	0,53	820	76	8,0	213 900 160
RF/2-200	1850	260	230	1,10	1590	76	11,0	213 900 200
RF/4-200	1400	90	230	0,40	1280	60	11,0	213 900 210
RF/4-250S	1400	120	230	0,56	1700	63	14,0	213 900 250
RF/4-250T	1400	120	400	0,48	1700	63	14,0	213 900 260
RF/4-315S	1400	230	230	1,16	2800	65	16,0	213 900 315
RF/4-315T	1400	230	400	1,10	2800	65	16,0	213 900 320
RF/6-250	965	47	230	0,18	1140	63	14,0	213 900 270
RF/6-315	875	66	230	0,33	1750	64	16,0	213 900 330
RF/4-355S	1355	520	230	1,64	4050	78	25,0	213 900 355
RF/4-355T	1345	460	400 Δ	1	4050	78	25,0	213 900 360
	1065	325	400 Y	0,7	3300	71	25,0	
RF/6-355S	880	160	230	0,7	2750	67	25,0	213 900 370
RF/6-355T	890	160	400 Δ	0,4	2750	67	25,0	213 900 380
	690	105	400 Y	0,3	2200	64	25,0	

**Dimensions in mm**



Type	$\varnothing A$	B	$\square C$	$\varnothing D$	$\square E$	$\varnothing F$	G	H	I
RF/2-125	360	220	300	125	245	10	20	170	50
RF/2-160	360	220	300	160	245	10	20	170	50
RF/2-200	400	290	300	200	245	10	20	240	50
RF/4-200	400	290	300	200	245	10	20	240	50
RF/ $\square$ -250	460	329	435	248	330	12	20	279	50
RF/ $\square$ -315	460	357	435	312	330	12	20	307	50
RF/ $\square$ -355	550	-	560	-	450	12	40	337	-







### Construction

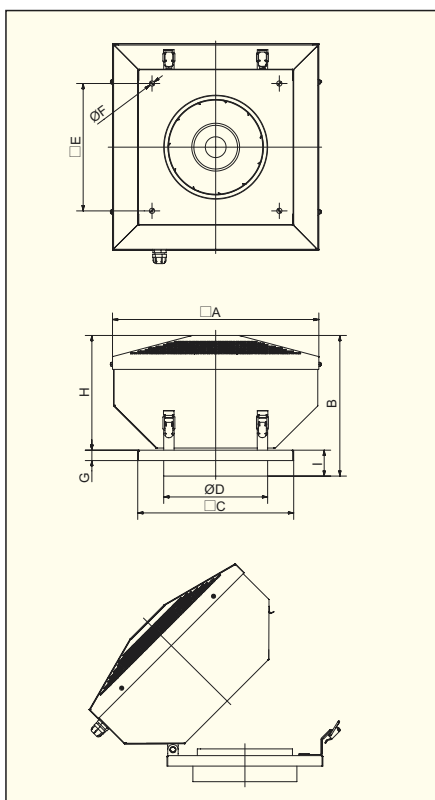
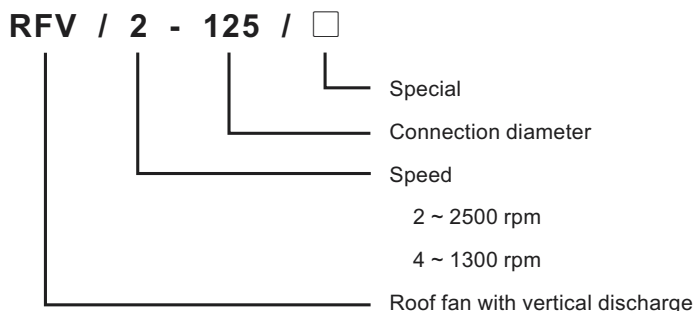
Roof fan for vertical discharge with welded casing and base of steel sheet, powder coated RAL5010. Backward curved impeller. The design of the fan enables a cover to be removed for easy inspection, service and duct cleaning. Casings and bases in other materials may be supplied on request.

### Motor

220-240V, 50Hz single-phase external rotor motor with capacitor, suitable for speed control. Enclosure IP44, insulation class B. Special voltage or frequency, improved enclosure and motors with thermal protection may be supplied on request. Wiring diagram, see page 236.



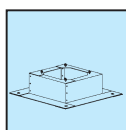
### Model numbering system



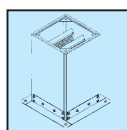
### Dimensions in mm

Type	□ A	B	□ C	Ø D	□ E	Ø F	G	H	I
RFV-125	307	217	300	125	245	10	20	167	50
RFV-160	307	217	300	160	245	10	20	167	50
RFV-200	397	285	300	200	245	10	20	235	50
RFV-250	459	324	435	248	330	12	20	273	52
RFV-315	459	351	435	312	330	12	20	300	52

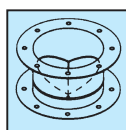
### Accessories



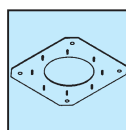
RS  
page 86



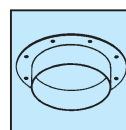
RSA  
page 86



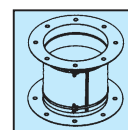
JCA  
page 85



JPA  
page 85



JBR  
page 85



JAE  
page 85



REB  
page 230



RMB  
page 230



HIG-2  
page 231



SQA  
page 231



TS, TK  
page 231

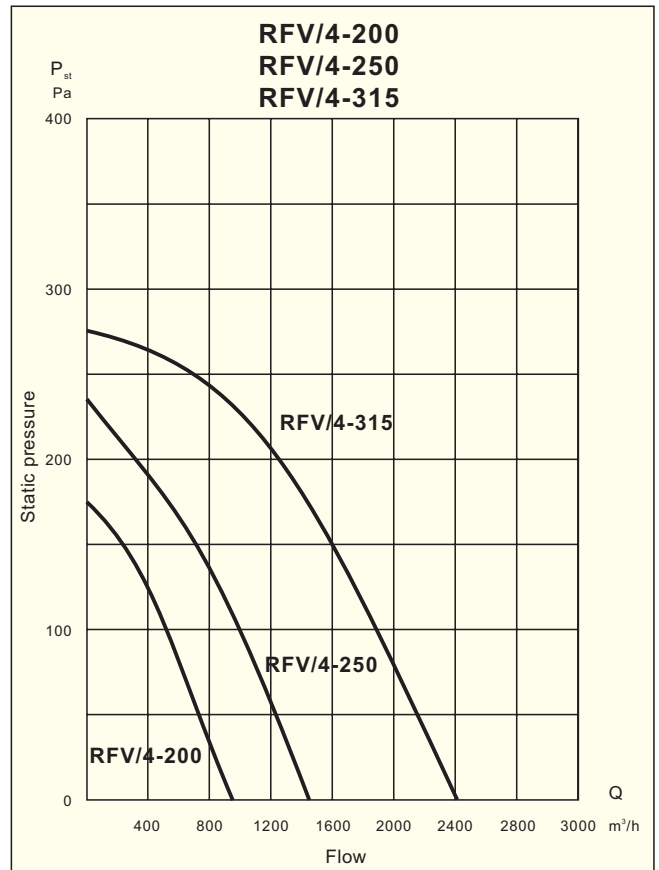
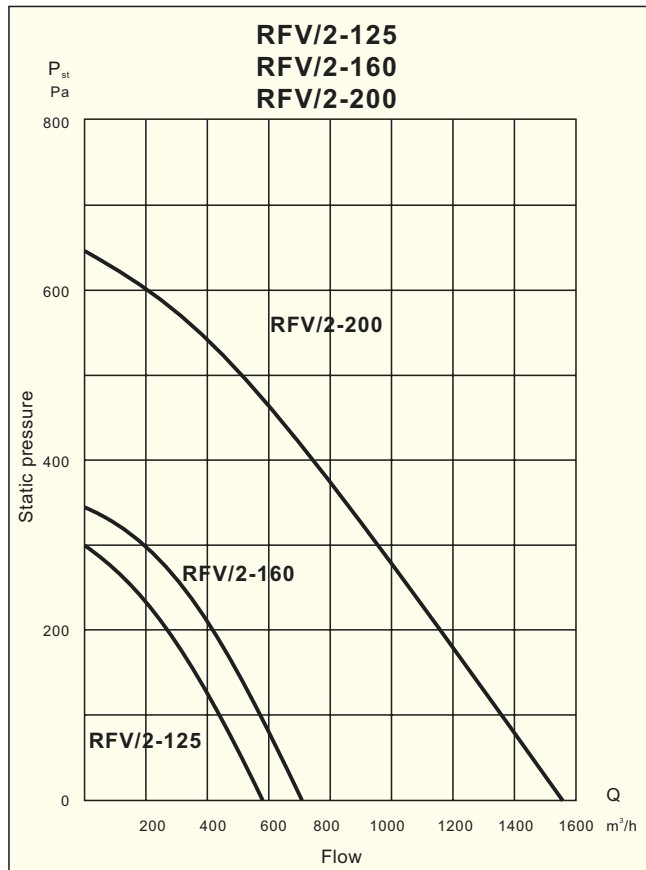


ACOP PL  
page 26

**Data**

Type	Speed rpm	Motor power W	Voltage V	Maximum current A	Maximum duty m³/h	Sound level dB(A)	Weight kg	Article number
RFV/2-125	2400	85	230	0,34	580	62	7,5	213 900 135
RFV/2-160	2790	110	230	0,53	730	68	8,0	213 900 165
RFV/2-200	1850	260	230	1,10	1550	69	11,0	213 900 205
RFV/4-200	1400	90	230	0,40	1250	55	11,0	213 900 215
RFV/4-250S	1400	120	230	0,56	1650	58	14,0	213 900 255
RFV/4-250T	1400	120	400	0,48	1650	58	14,0	213 900 265
RFV/4-315S	1400	230	230	1,16	2800	59	16,0	213 900 325
RFV/4-315T	1400	230	400	1,10	2800	59	16,0	213 900 335

**Performance curves**





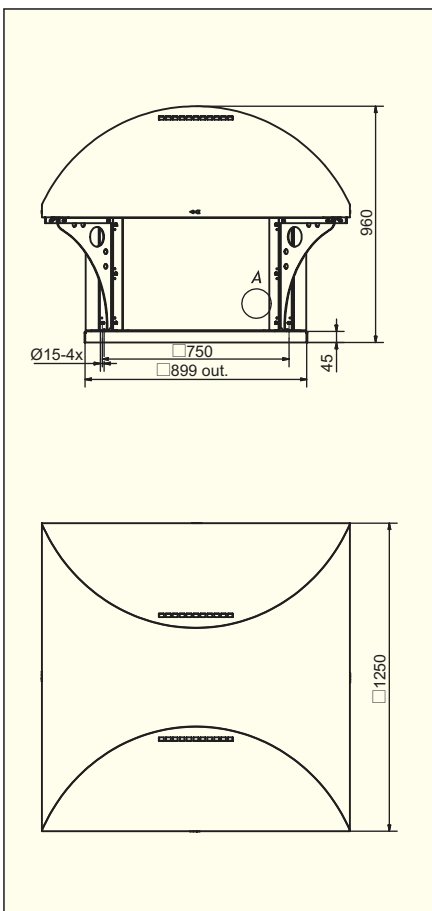
**Construction**

Roof fan for horizontal discharge, suitable for buildings with low degree of polluted air. Casing and base made of steel sheet, powder coated RAL9006. Impeller made of aluminium.

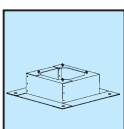
**Motor**

400V, 50Hz three-phase asynchronous motor, enclosure IP55, insulation class F. Special voltage or frequency, improved enclosure and motors with thermal protection may be supplied on request.

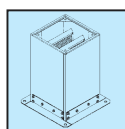
Wiring diagram, see page 236.



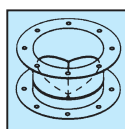
**Accessories**



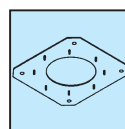
RS  
page 86



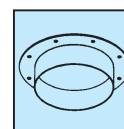
RSA  
page 86



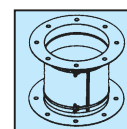
JCA  
page 85



JPA  
page 85



JBR  
page 85

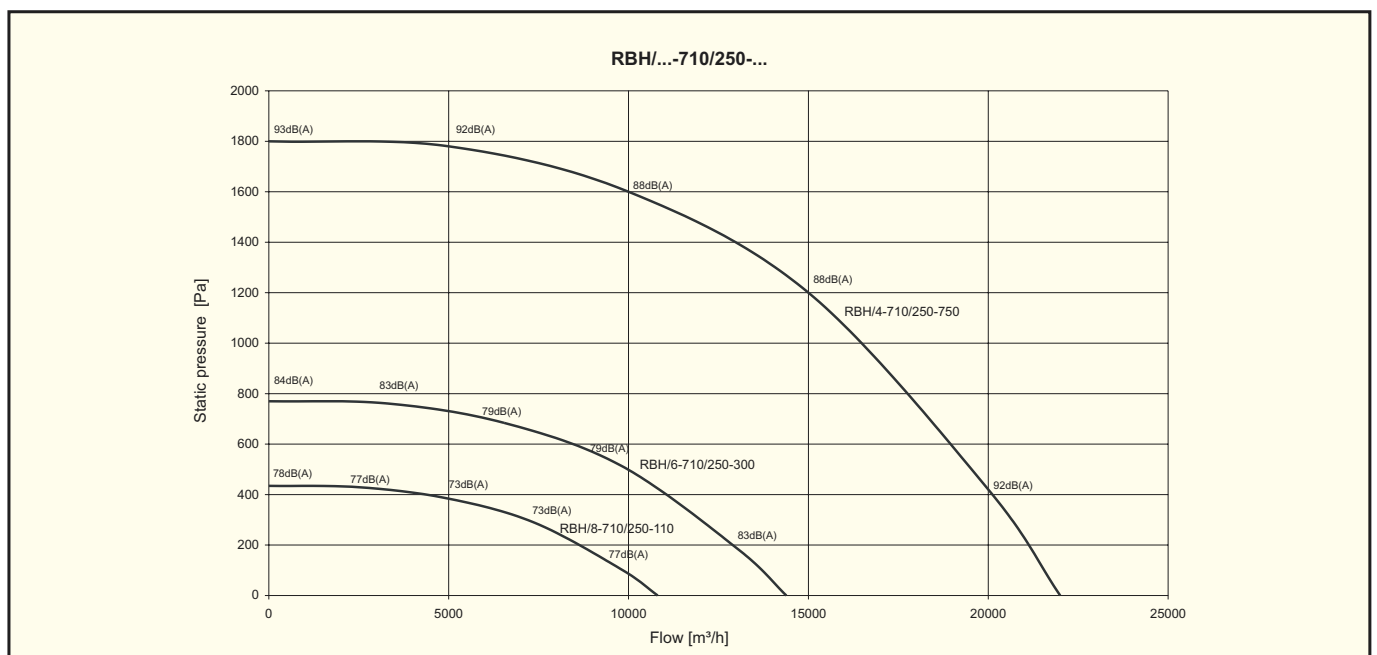
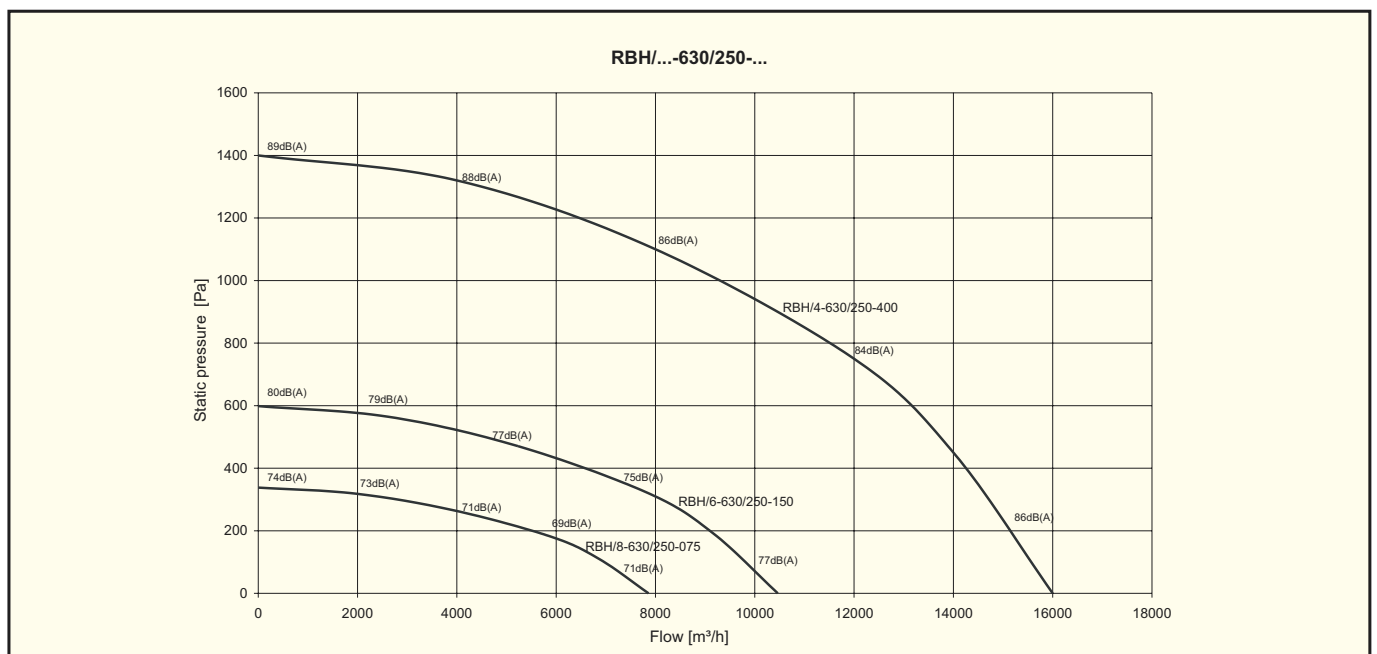


JAE  
page 85

**Data**

Type	Speed rpm	Motor power kW	Maximum current A	Voltage V	Maximum duty m <sup>3</sup> /h	Maximum pressure Pa	Weight kg	Article number
RBH/8-630-075	710	0,75	2,2	400	7800	330	205	213 900 505
RBH/6-630-150	945	1,5	3,8	400	10400	600	205	213 900 510
RBH/4-630-400	1445	4,0	8,1	400	16000	1400	220	213 900 515
RBH/8-710-110	710	1,1	3,3	400	10800	440	235	213 900 555
RBH/6-710-300	960	3,0	6,9	400	14300	750	235	213 900 560
RBH/4-710-750	1455	7,5	14,4	400	22000	1800	250	213 900 565

**Performance curves**





Products certified 400°C/2h

### Construction

Roof fan for horizontal (CTHB-CTHT) or vertical (CTVB-CTVT) installation designed for continuous running in high temperatures:

- type CTVB/4-180 and CTVB/4-225 -40° to +200°C
- type CTHB/4-180 and CTHB/4-225 -40° to +200°C
- other models -40° to +120°C

Backward curved impellers manufactured in galvanized steel sheet. Base manufactured from galvanized steel sheet. Spun aluminium cowls.

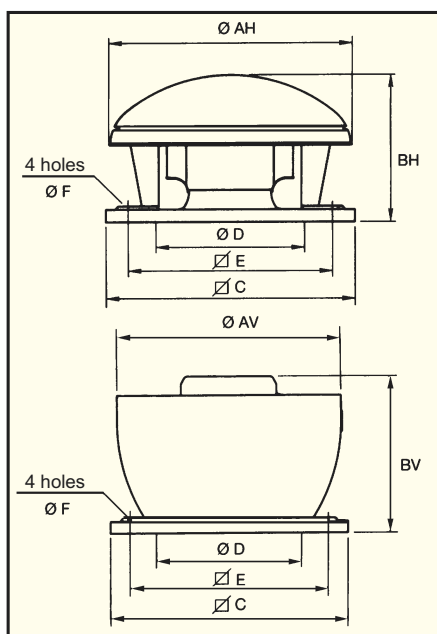
### Motor

400V, 50Hz three-phase alt. 230V, 50Hz single-phase asynchronous induction motor. Enclosure IP55, insulation class F. Three-phase designs from sizes 140 to 400 are suitable for speed control. Motors for special voltage, three-phase motors for "Y" resp. "Δ" running and 2-speed motors may be supplied on request.

Wiring diagram, see page 235.

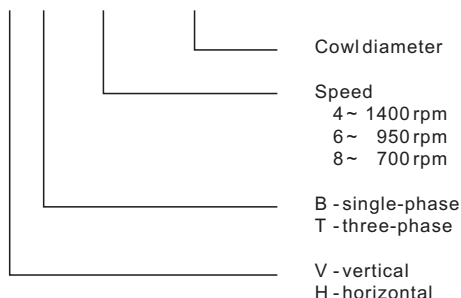
### Accessories

Roof fittings, roof inlets, variable speed controls.



### Model numbering system

#### CTVB / 4 - 140



### Dimensions in mm

Type	Ø AH	Ø AV	BH	BV	□ C	Ø D	□ E	Ø F
140	415	421	277	359	300	180	245	10
180	415	421	292	374	300	180	245	10
200	561	556	340	404	435	250	330	12
225	561	556	383	452	435	250	330	12
250	762	750	425	522	560	355	450	12
315	762	750	469	564	560	355	450	12
400	850	850	532	608	630	400	535	12
450	962	950	713	741	710	500	590	14
500	1214	1216	824	832	905	630	750	14
560	1214	1216	874	832	905	630	750	14
630	1336	1327	1029	1053	1100	710	840	14

### Accessories



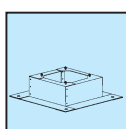
REB

page 230



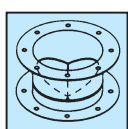
RMB

page 230



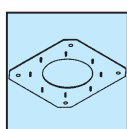
JBS

page 85



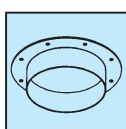
JCA

page 85



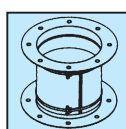
JPA

page 85



JBR






























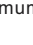

page 85



JAE






























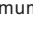

page 85

## Data

Type	Speed rpm	Maximum power absorbed W	Maximum current A	Maximum duty m³/h	Sound pressure level at 2/3 Qmax * dB(A)		Weight kg	Article number
					Inlet	Outlet		
SINGLE-PHASE 230V								
4-POLE, SINGLE-PHASE								
CTHB/4-140	1370	60	0,32	800	46	52	7,5	112 700 001
CTHB/4-180	1330	50	0,33	990	46	52	8,0	112 700 011
CTHB/4-200	1320	120	0,60	1450	49	55	14,2	112 700 021
CTHB/4-225 	1350	170	0,90	2100	53	59	17	112 700 031
CTHB/4-250 	1320	280	1,40	3100	57	62	28	112 700 041
CTHB/4-315 	1375	590	2,70	4900	60	66	32	112 700 051
CTHB/4-400 	1380	1100	5,30	7000	67	73	42,5	112 700 061
6-POLE, SINGLE-PHASE								
CTHB/6-200	940	80	0,40	970	38	45	14,2	112 700 101
CTHB/6-225 	890	90	0,40	1400	42	48	17	112 700 111
CTHB/6-250 	940	100	0,57	2000	45	52	28	112 700 121
CTHB/6-315 	840	170	0,81	3200	49	55	32	112 700 131
CTHB/6-400 	950	350	1,60	4500	56	62	42,5	112 700 141
SINGLE-PHASE 400V								
4-POLE, THREE-PHASE								
CTHT/4-140	1375	60	0,17	800	46	52	7,5	112 700 201
CTHT/4-180	1330	70	0,17	990	46	52	8,0	112 700 211
CTHT/4-200	1330	130	0,35	1450	49	55	14,2	112 700 221
CTHT/4-225 	1360	170	0,50	2100	53	59	17	112 700 231
CTHT/4-250 	1400	300	0,80	3100	57	62	28	112 700 241
CTHT/4-315 	1410	620	1,50	4900	60	66	32	112 700 251
CTHT/4-400 	1350	920	1,80	7000	67	73	42,5	112 700 261
CTHT/4-450 	1440	2000	4,60	10200	71	76	67	112 700 271
6-POLE, THREE-PHASE								
CTHT/6-200	940	80	0,24	970	38	45	14,2	112 700 301
CTHT/6-225 	900	90	0,23	1400	42	48	17	112 700 311
CTHT/6-250 	950	100	0,41	2000	45	52	28	112 700 321
CTHT/6-315 	900	180	0,50	3200	49	55	32	112 700 331
CTHT/6-400 	925	350	1,00	4500	56	62	42,5	112 700 341
CTHT/6-450 	940	850	3,50	6900	59	66	67	112 700 351
CTHT/6-500 	965	1400	4,30	10500	63	69	104	112 700 361
CTHT/6-560 	950	2400	5,30	16000	66	73	118	112 700 371
CTHT/6-630 	950	3700	8,30	21000	70	76	156	112 700 381
8-POLE, THREE-PHASE								
CTHT/8-450 	700	700	2,10	5000	55	61	67	112 700 400
CTHT/8-500 	725	770	2,40	7500	55	62	104	112 700 401
CTHT/8-560 	730	1100	3,60	11500	58	65	118	112 700 411
CTHT/8-630 	735	1650	4,90	15000	62	69	156	112 700 421
2-SPEED, THREE-PHASE								
CTHT/4/8-315 	1400/700	370/230	1,10/0,90	4900/2400	60/45	66/51	33	
CTHT/4/8-400 	1400/700	560/260	1,30/1,10	7000/3500	67/52	73/58	44	
CTHT/4/8-450 	1400/700	2400/600	6,10/2,50	10200/5100	71/55	76/61	69	
CTHT/6/12-450 	950/490	500/190	2,00/1,00	6900/3400	59/44	66/51	72	
CTHT/6/12-500 	980/490	1520/430	4,50/2,20	10500/5300	63/48	69/54	109	
CTHT/6/12-630 	960/480	4100/730	8,10/2,60	21000/10500	70/55	76/61	161	

\* The values of sound levels are values measured dB(A) at the fan discharge side and at the maximum volume (Qmax) and two thirds maximum volume (2/3 Qmax).

**Data**

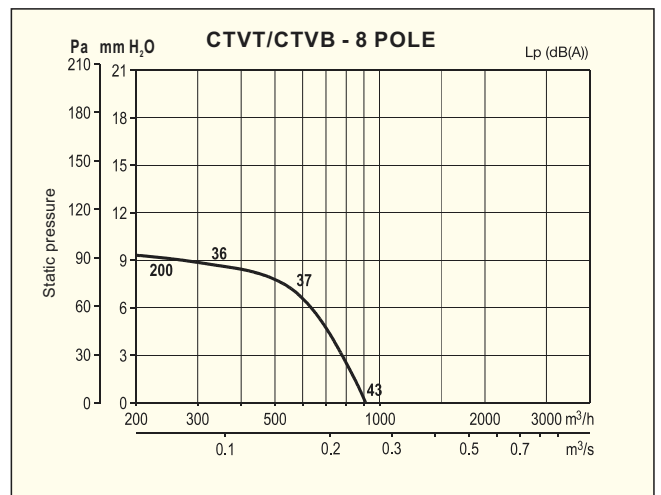
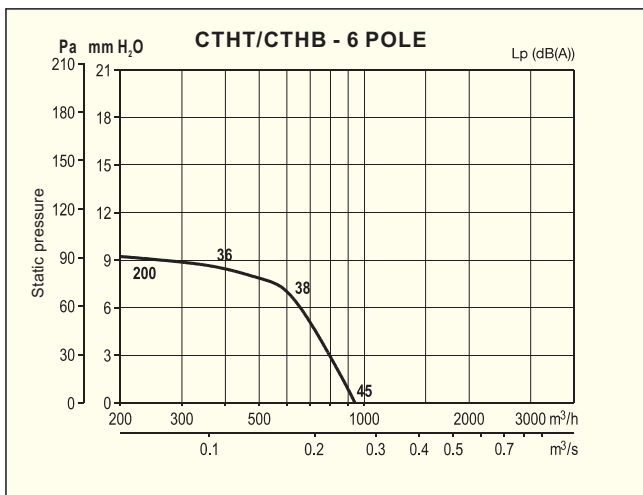
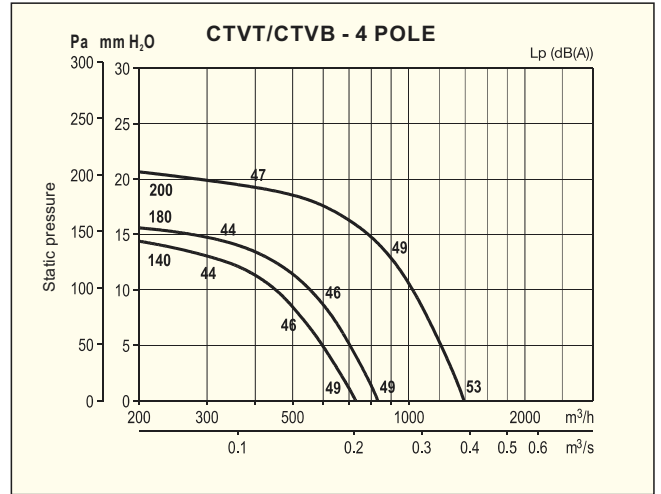
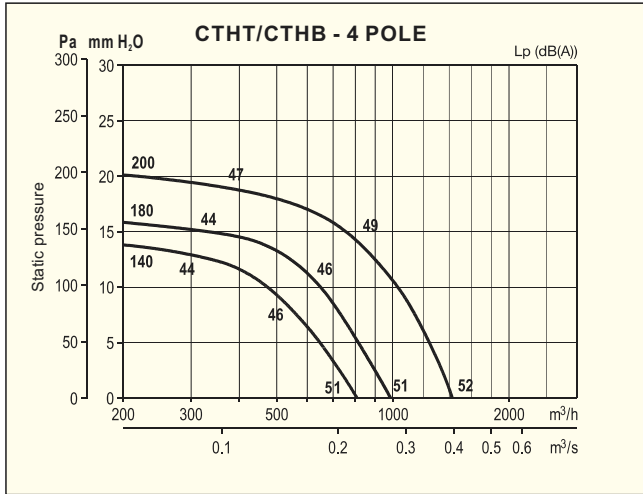
Type	Speed rpm	Maximum power absorbed W	Maximum current A	Maximum duty m³/h	Sound pressure level at 2/3 Qmax * dB(A)		Weight kg	Article number
					Inlet	Outlet		
<b>SINGLE-PHASE 230V</b>								
<b>4-POLE, SINGLE-PHASE</b>								
CTVB/4-140	1375	60	0,30	750	46	49	10,0	112 700 501
CTVB/4-180	1330	60	0,30	900	46	49	10,5	112 700 511
CTVB/4-200	1330	100	0,60	1350	49	53	17,0	112 700 521
CTVB/4-225 	1350	130	0,71	2000	53	56	19,8	112 700 531
CTVB/4-250 	1325	250	1,20	2950	56	60	35	112 700 541
CTVB/4-315 	1390	570	2,70	4700	60	64	39	112 700 551
CTVB/4-400 	1390	1100	5,30	6800	67	70	50	112 700 561
<b>6-POLE, SINGLE-PHASE</b>								
CTVB/6-200	940	80	0,40	900	38	42	17,0	112 700 601
CTVB/6-225 	890	90	0,40	1300	41	45	19,8	112 700 611
CTVB/6-250 	940	100	0,57	1850	45	49	35	112 700 621
CTVB/6-315 	870	160	0,80	3000	48	53	39	112 700 631
CTVB/6-400 	960	340	1,60	4300	55	59	50	112 700 641
<b>THREE-PHASE 400V</b>								
<b>4-POLE, THREE-PHASE</b>								
CTVT/4-140	1400	60	0,18	750	46	49	10,0	112 700 701
CTVT/4-180	1350	60	0,18	900	46	49	10,5	112 700 711
CTVT/4-200	1340	130	0,44	1350	49	53	17,0	112 700 721
CTVT/4-225 	1360	180	0,47	2000	53	56	19,8	112 700 731
CTVT/4-250 	1400	300	0,80	2950	56	60	35	112 700 741
CTVT/4-315 	1410	400	1,40	4700	60	64	39	112 700 751
CTVT/4-400 	1330	1000	1,80	6800	67	70	50	112 700 761
CTVT/4-450 	1440	2100	4,30	8990	70	74	75	112 700 771
<b>6-POLE, THREE-PHASE</b>								
CTVT/6-200	950	80	0,24	900	38	42	17,0	112 700 801
CTVT/6-225 	900	90	0,23	1300	41	45	19,8	112 700 811
CTVT/6-250 	950	100	0,41	1850	45	49	35	112 700 821
CTVT/6-315 	910	160	0,44	3000	48	53	39	112 700 831
CTVT/6-400 	930	350	1,00	4300	55	59	50	112 700 841
CTVT/6-450 	950	800	3,50	6300	59	63	75	112 700 851
CTVT/6-500 	975	1500	3,70	10000	62	66	115	112 700 861
CTVT/6-560 	950	2400	5,50	15000	66	70	129	112 700 871
CTVT/6-630 	950	3900	8,30	19500	70	74	168	112 700 881
<b>8-POLE, THREE-PHASE</b>								
CTVT/8-450 	690	700	1,50	4800	55	59	75	112 700 900
CTVT/8-500 	700	770	2,40	7100	54	58	115	112 700 901
CTVT/8-560 	730	1100	3,30	10000	58	62	129	112 700 911
CTVT/8-630 	735	1650	4,90	13500	61	66	168	112 700 921
<b>2-SPEED, THREE-PHASE</b>								
CTVT/4/8-315 	1400/700	370/320	1.10/0.90	4700/2100	60/45	64/49	40	
CTVT/4/8-400 	1400/700	560/260	1.30/1.10	6800/3300	67/52	70/55	52	
CTVT/4/8-450 	1400/700	2400/600	6.10/2.50	10000/4500	70/55	74/59	77	
CTVT/6/12-450 	960/490	500/190	2.00/1.00	6300/2800	59/44	63/48	80	
CTVT/6/12-500 	980/490	1520/340	4.50/2.20	10000/4800	62/47	66/51	134	
CTVT/6/12-630 	960/480	4100/730	8.10/2.60	19500/9500	70/54	74/59	173	

\* The values of sound levels are values measured dB(A) at the fan discharge side and at the maximum volume (Qmax) and two thirds maximum volume (2/3 Qmax).



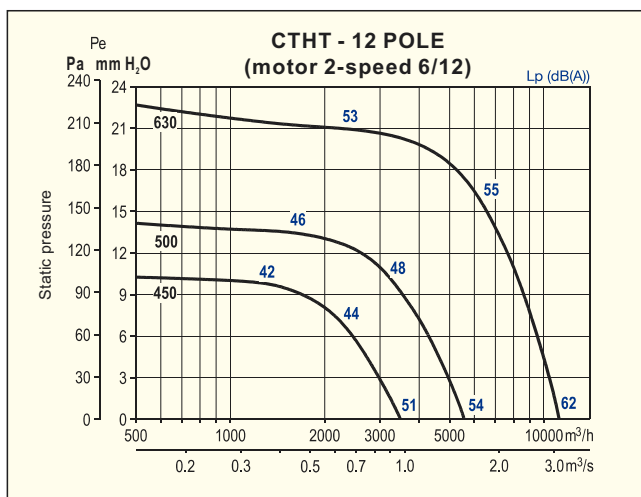
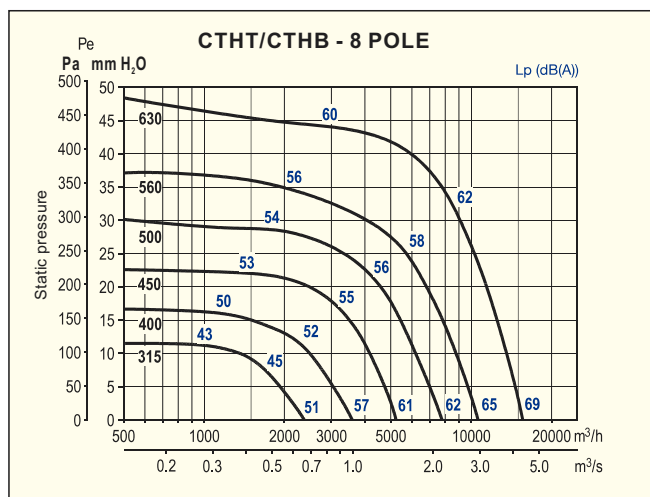
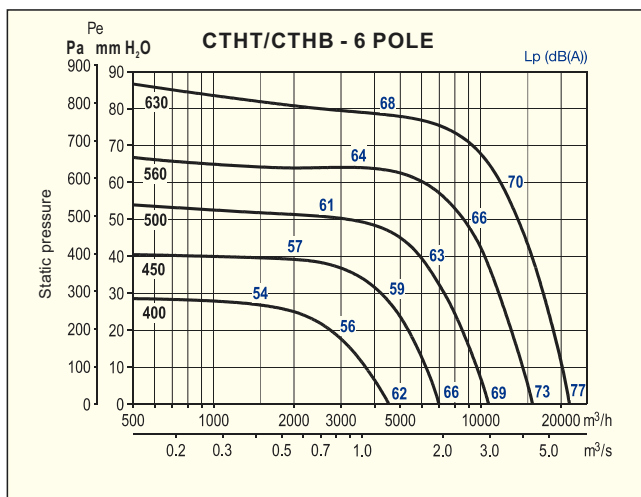
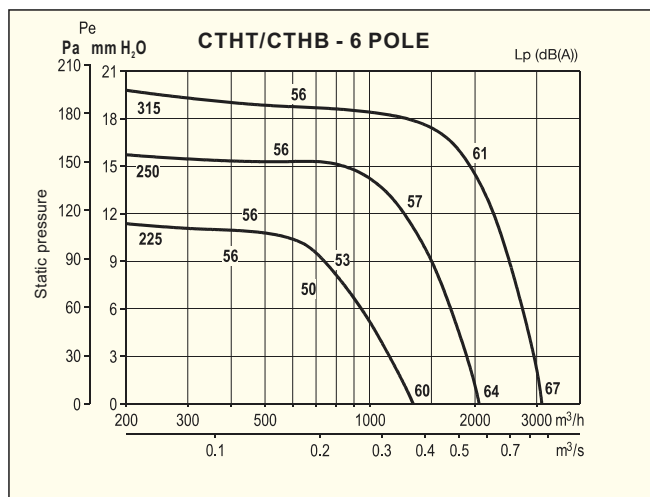
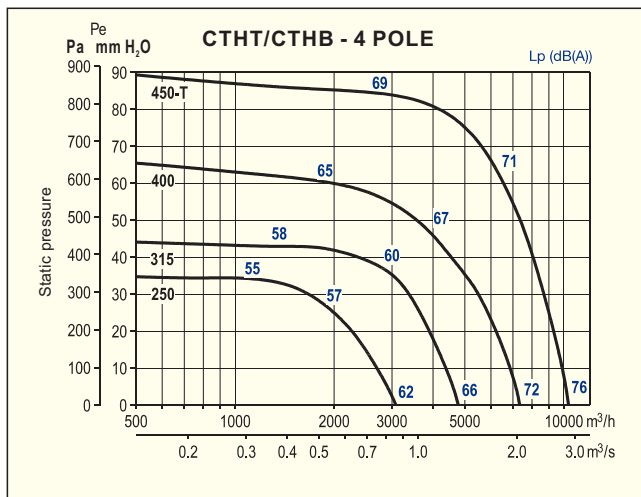
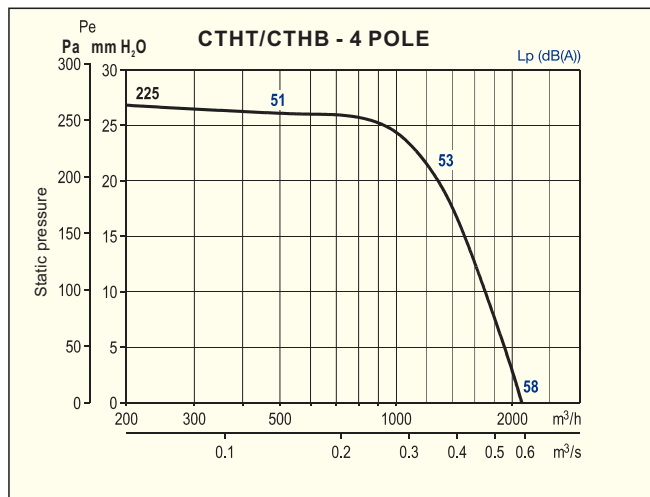
**Performance curves**

The values of sound are sound pressure levels measured at 1,5 m in the free field conditions, at the fan inlet side.



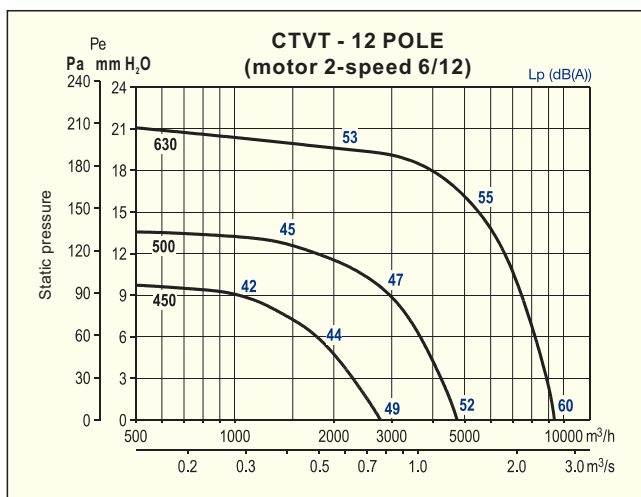
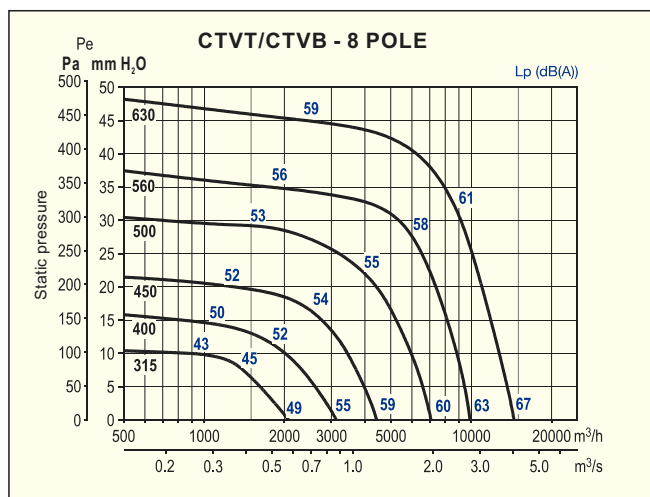
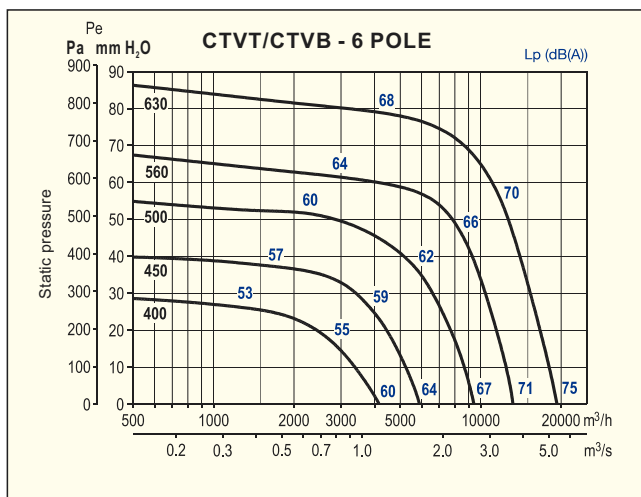
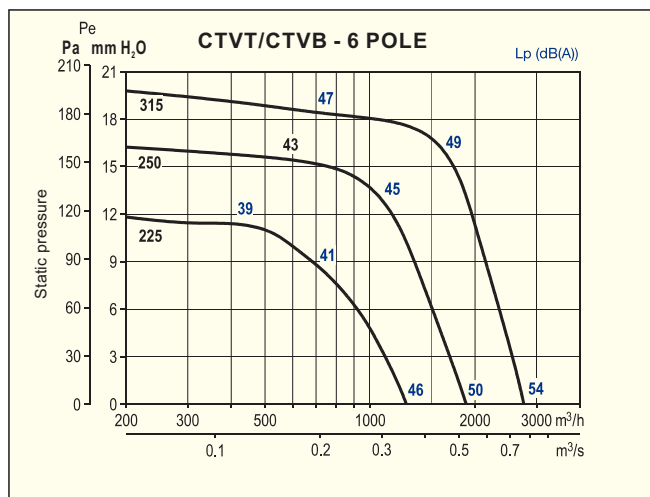
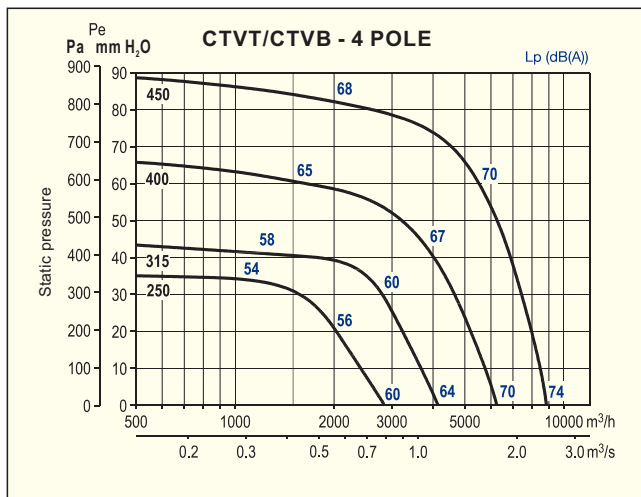
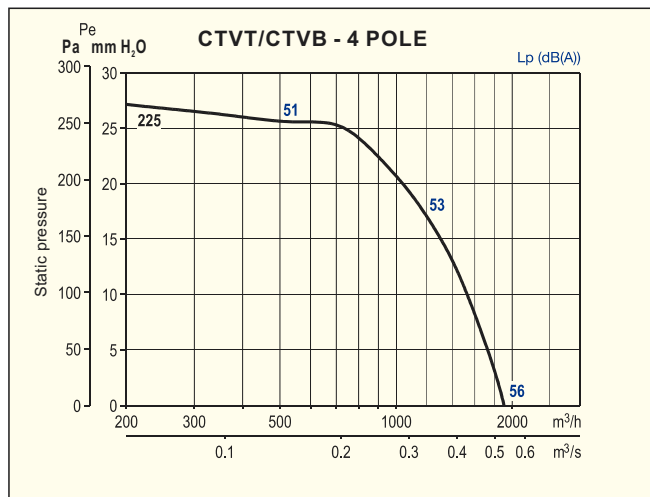
**Performance curves**

The values of sound are sound pressure levels measured at 1,5 m in the free field conditions, at the fan inlet side.

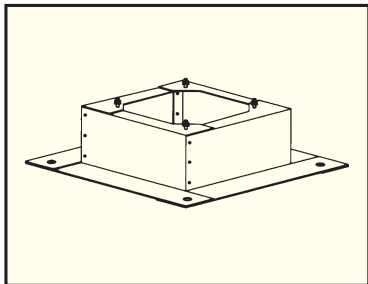


### Performance curves

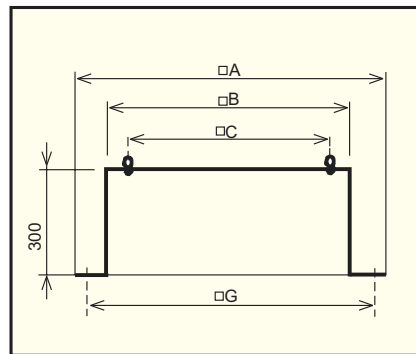
The values of sound are sound pressure levels measured at 1,5 m in the free field conditions, at the fan inlet side.



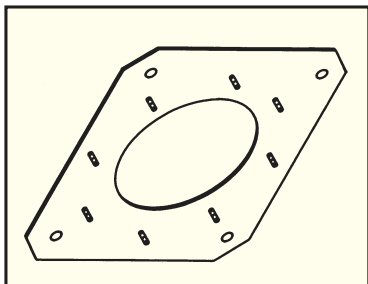
**Flat roof upstands JBS**



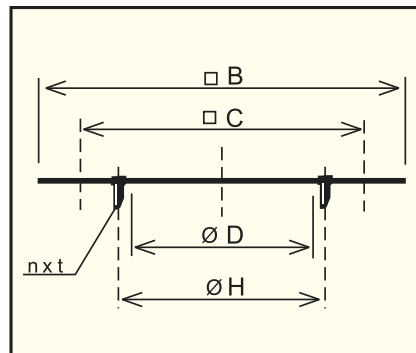
Type	Type JBS	□A	□B	□C	□G
140 180	300	470	289	245	380
200 225	435	600	419	330	510
250 315	560	725	544	450	635
400	630	795	614	535	705
450	710	875	694	590	785
500 560	905	1065	884	750	975
630	1100	1260	1079	840	1170



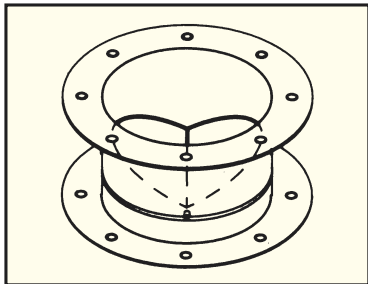
**Adapter plate JPA**



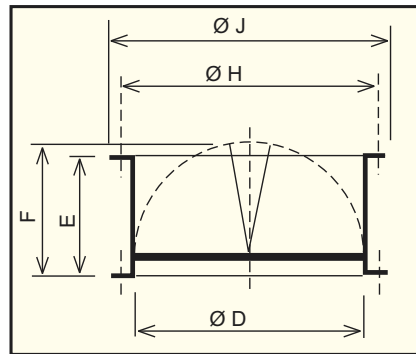
Type	Type JPA	□B	□C	∅D	nxt	∅H
140 180	300	289	245	182	4xM6	205
200 225	435	419	330	252	4xM8	280
250 315	560	544	450	358	8xM8	395
400	630	614	535	403	8xM10	450
450	710	694	590	503	12xM10	560
500 560	905	884	750	633	12xM10	690
630	1100	1079	840	713	16xM10	770



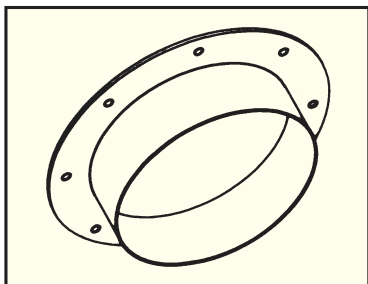
**Back-draught shutter JCA**



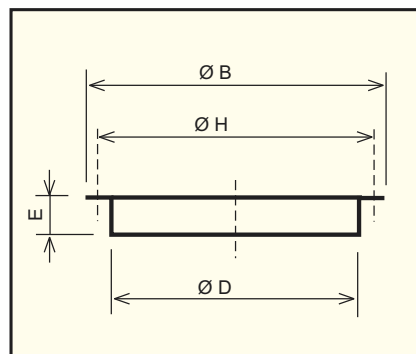
Type	Type JCA	∅D	E	F	∅H	∅J
140 180	300	182	100	124	205	219
200 225	435	252	145	174	280	300
250 315	560	358	210	227	395	415
400	630	403	240	250	450	474
450	710	503	285	300	560	581
500 560	905	633	345	365	690	714
630	1100	713	295	390	770	794



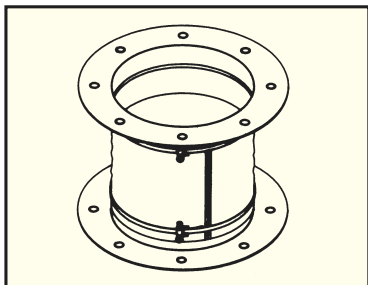
**Flange JBR**



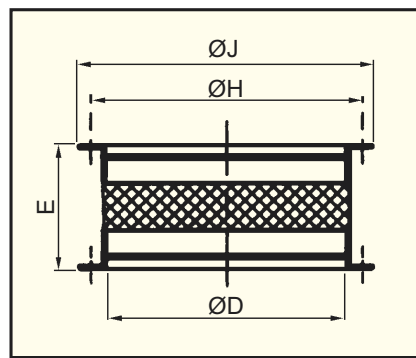
Type	Type JBR	∅D	E	∅H	∅J
140 180	300	182	55	205	219
200 225	435	252	55	280	300
250 315	560	358	55	395	415
400	630	403	63	450	474
450	710	503	69	560	581
500 560	905	633	69	690	714
630	1100	713	69	770	797

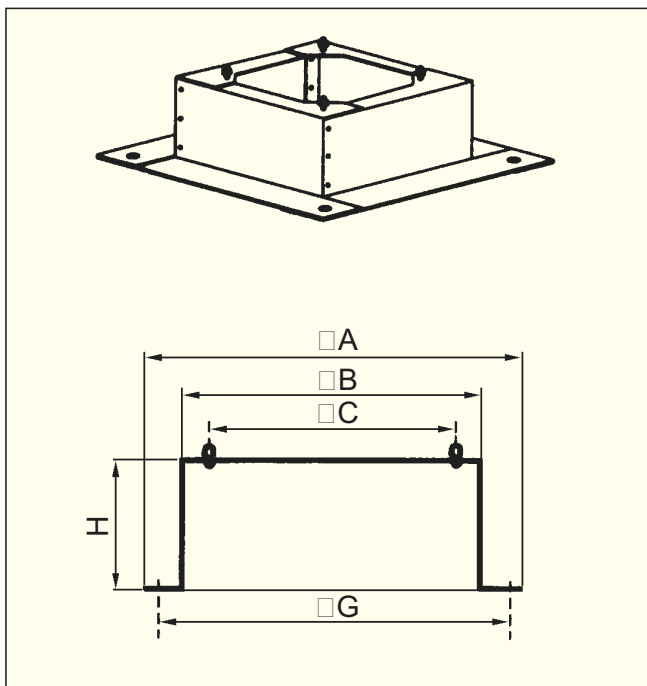


**Flexible coupling JAE**



Type	Type JAE	∅D	E	∅H	∅J
140 180	300	182	254	205	219
200 225	435	252	254	280	300
250 315	560	358	254	395	415
400	630	403	254	450	474
450	710	503	254	560	581
500 560	905	633	254	690	714
630	1100	713	254	770	794

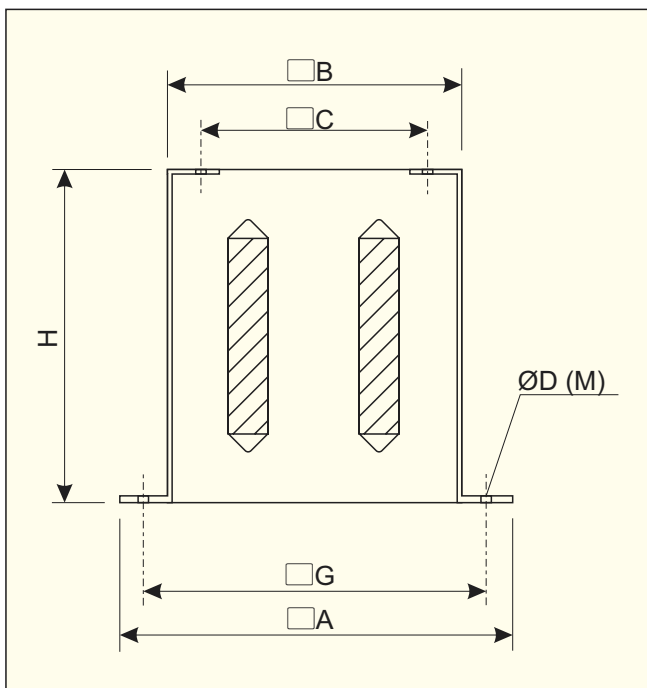




**Flat roof Up-Stand RS:**

- for flat roofs
- internal condensation protected

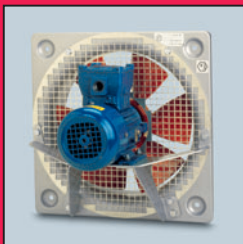
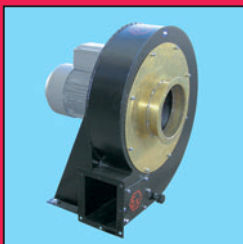
Type RS	Fan type			□A	□B	□C	□G	H
	RF	TH	CTV/CTH					
300	125, 160, 200	500, 800	140, 180	470	298	245	380	300
435	250, 315	1300	200, 225	600	419	330	510	300
560	355	2000	250, 315	725	544	450	635	300
630			400	795	614	535	705	300
710			450	875	694	590	785	300
905			500, 560	1065	884	750	975	300
1100			630	1260	1079	840	1170	400



**Acoustic Up-Stand RSA:**

- sound reducing
- for flat roofs

Type RSA	□A	□B	□C	ØD(M)	H	□G	Number of sound absorbers
300	470	290	245	13(M10)	500	380	1
435	600	419	330	15(M12)	500	510	2
560	725	545	450	15(M12)	750	635	2
630	795	615	535	15(M12)	750	705	3
710	875	695	590	18(M14)	1000	785	3
905	1065	885	750	18(M14)	1000	975	3
1100	1260	1080	840	18(M14)	1000	1170	3



<b>EGM</b>	<b>88</b>
<b>COMPACT „ATEX”</b>	<b>90</b>
<b>HDT</b>	<b>93</b>



**In-Line Fans**

**Axial-flow Fans Wall Versions**

**Axial-flow Fans Cased Versions**

**Roof Fans**

**Fans “ATEX”**

**Centrifugal Fans VISP/VASP**

**Centrifugal Fans**

**Side Channel Blowers**

**Chip Extractors**

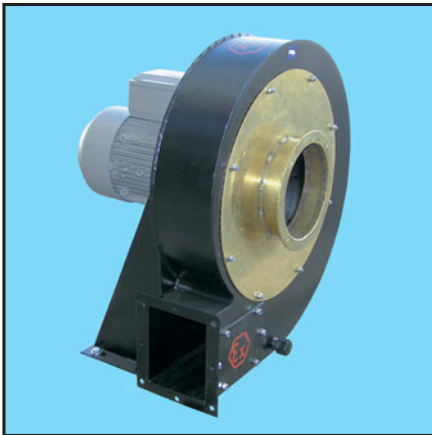
**Domestic Fans**

**Accessories**

**Electric Diagrams**

**General Information**

**Index**



### Construction

Directdriven centrifugal fans type EGM are produced according to ISO9001. The fans are constructed for group II category 2G zone 1 and/or zone 2 also category 2D zone 21 and/or zone 22. The fans have CE marking and corresponds to ATEX/94/9/EC.

Rating:

II 2G EExe II T3

or

II 2D DIP T125°C

Fans type EGM for category 2G have self cleaning impeller made of powder coated aluminum sheet. Fans type EGM for category 2D have self cleaning impeller made of powder coated steel sheet. The impellers are dynamically balanced according to ISO 1940. The casing is made of powder coated sheet steel.

Fans type EGM are adapted for air transportation for temperature -20° to +80°C. The motor ambivalent temperature -20°C to 40°C.

The fans are equipped with vibration isolators, inspection hatch and drainage.

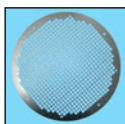
### Motor

The fans are equipped with 230/400V or 400V, 50Hz three-phase motors adapted according to the classifications.

### Accessories



Diffusor

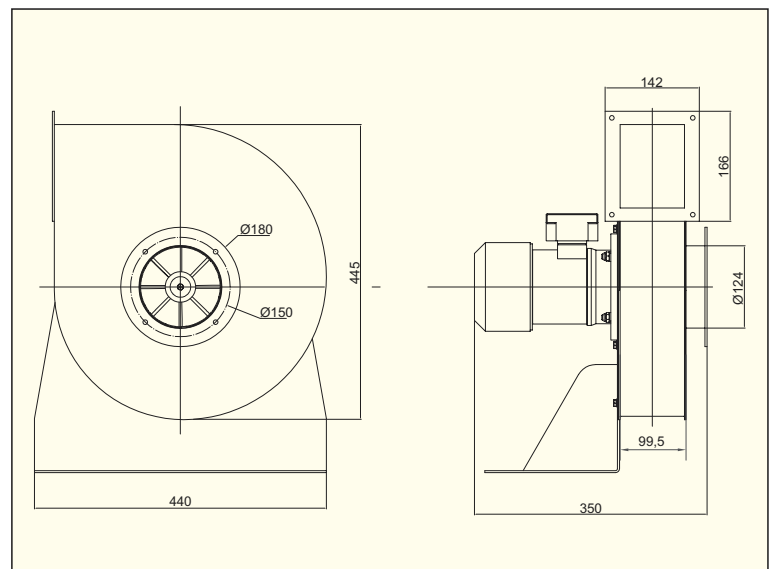
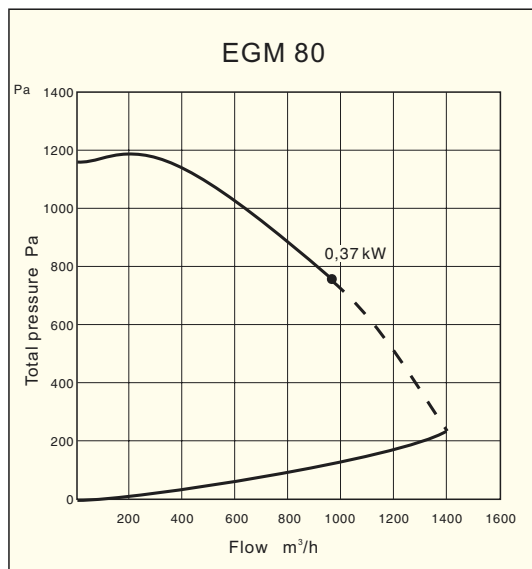


Protection net

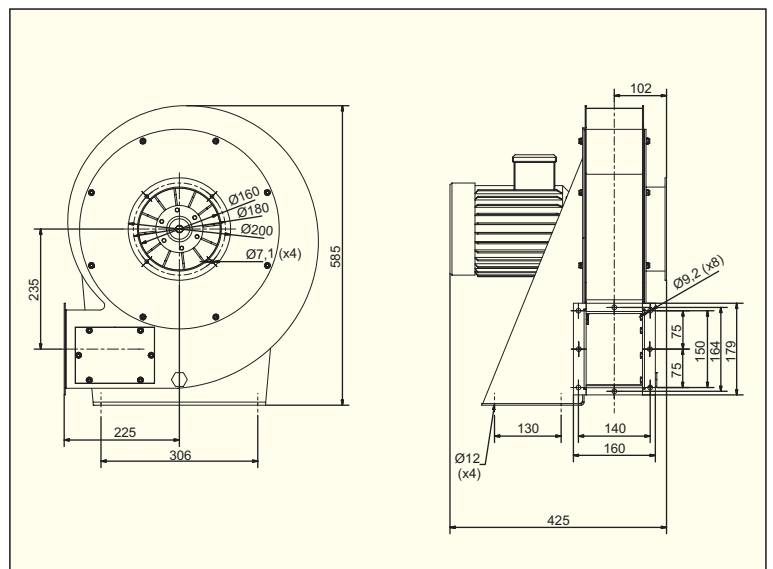
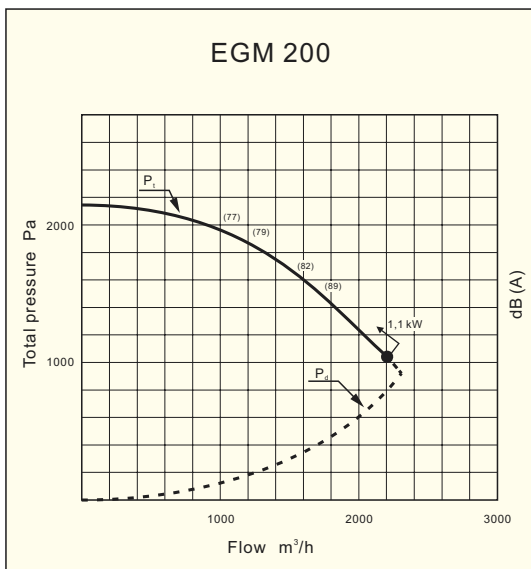
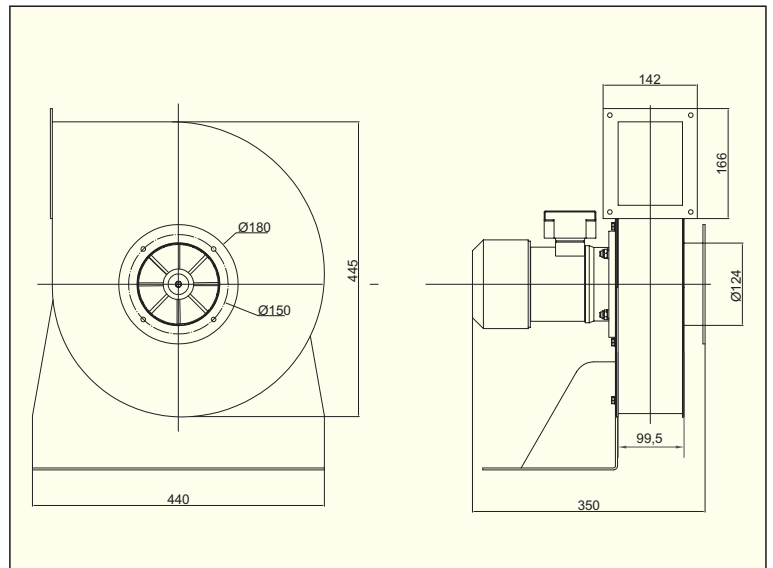
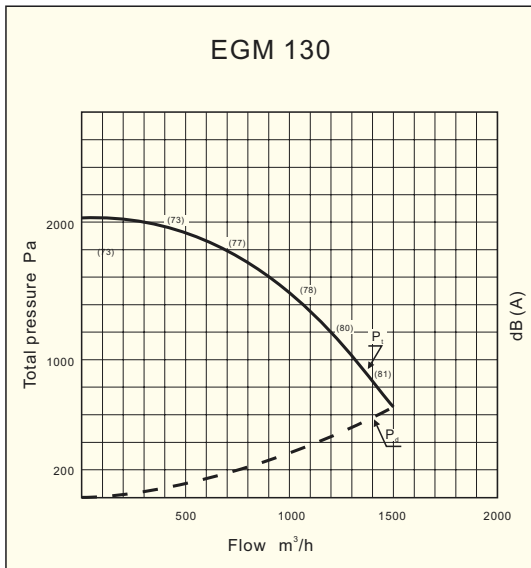
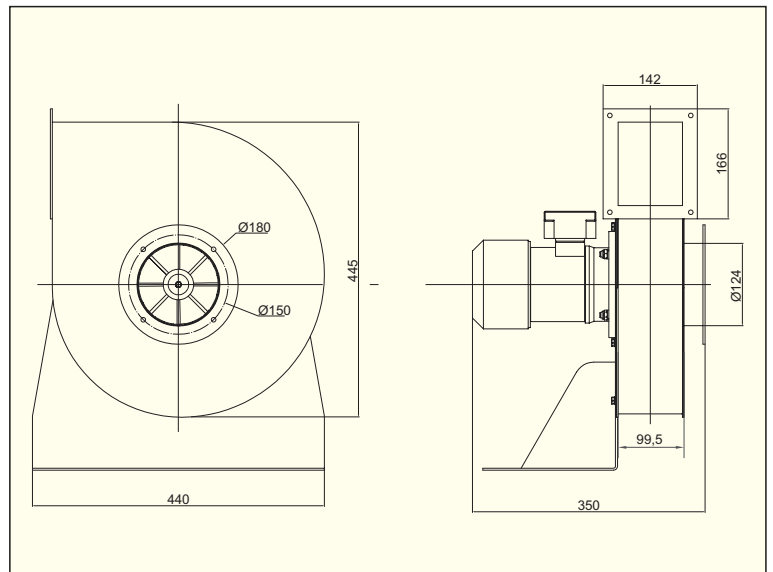
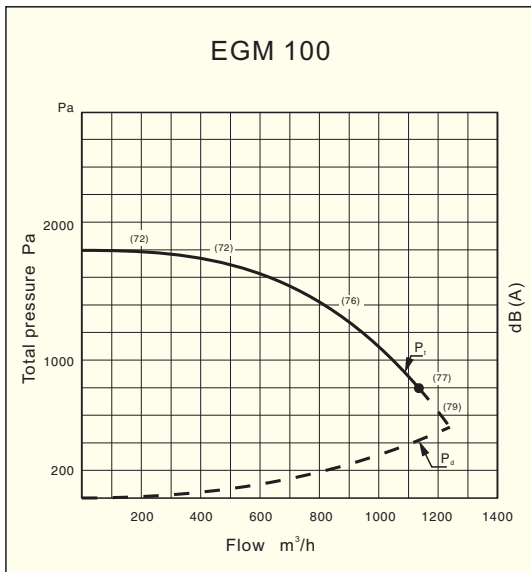
## Data

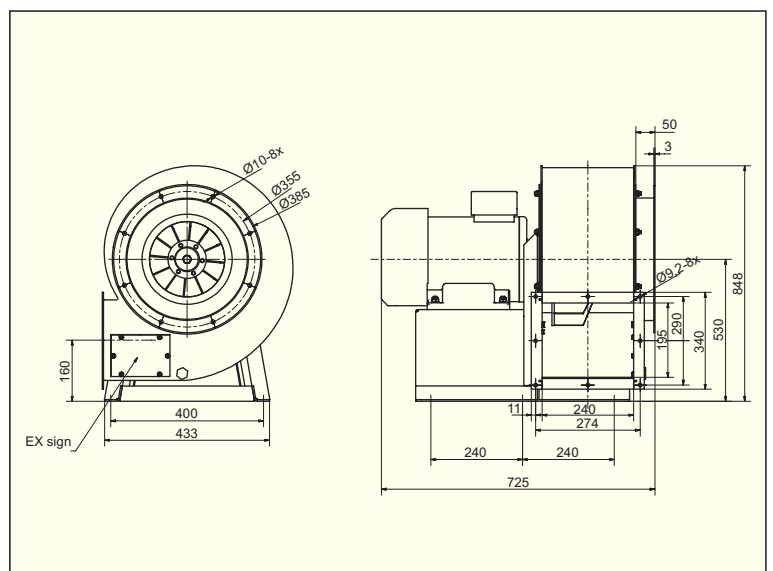
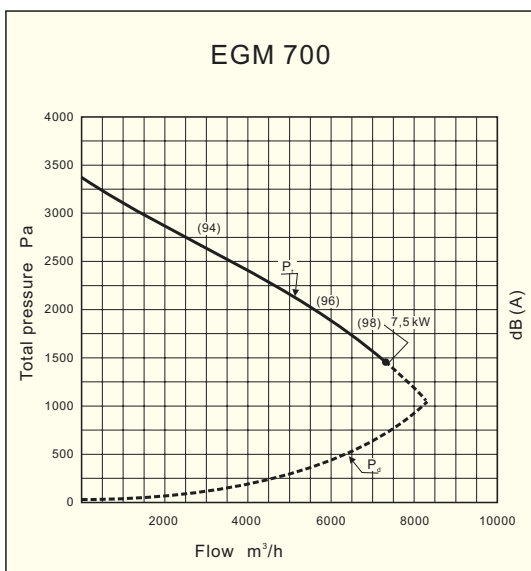
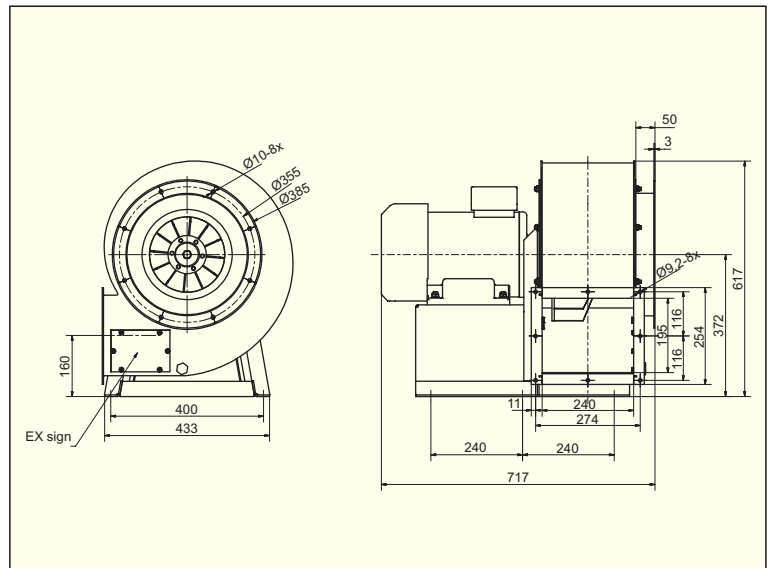
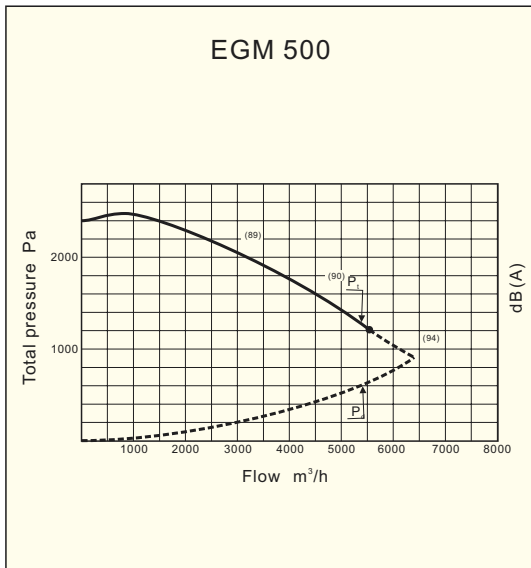
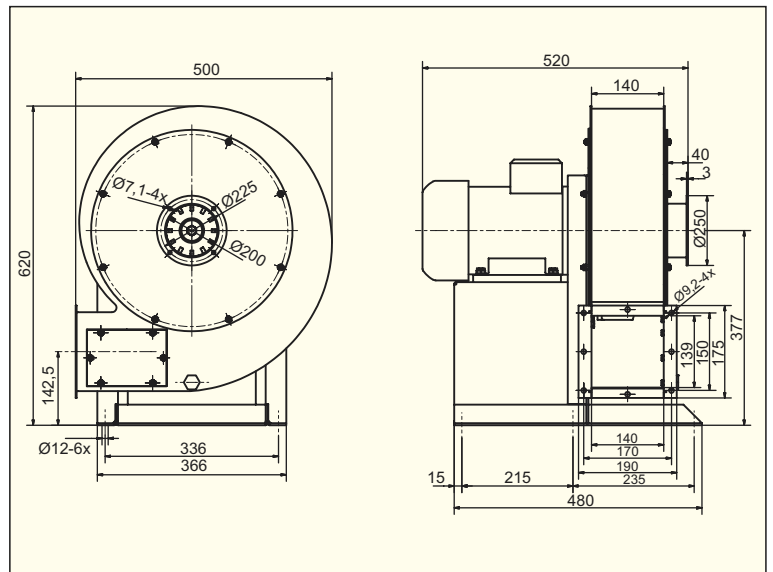
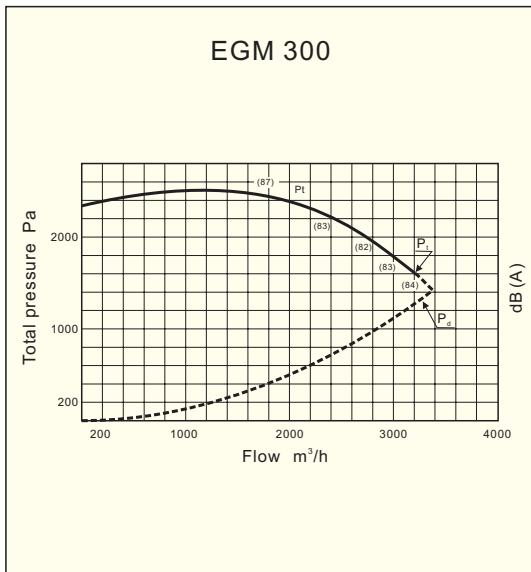
Type	ATEX	Voltage V Frequency Hz	Speed rpm	Motor power kW	Maximum current A	Maximum duty m³/h	Maximum pressure Pa	Weight kg	Sound level dB(A)*	Article number
EGM 80	2 GEEExe II T3 ATEX	230/400V,50Hz	2720	0,55	1,40	1100	1200	21	58	213260200
	2 D DIP T125 ATEX		2800		1,36					213260400
EGM 100	2 GEEExe II T3 ATEX	230/400V,50Hz	2760	0,75	1,80	1300	1800	22	76	213260210
	2 D DIP T125 ATEX		2855		1,73					213260410
EGM 130	2 GEEExe II T3 ATEX	230/400V,50Hz	2780	1,10	2,40	1500	2000	29	77	213260220
	2 D DIP T125 ATEX		2845		2,40					213260420
EGM 200	2 GEEExe II T3 ATEX	230/400V,50Hz	2850	1,50	3,50	2200	2150	37	79	213260230
	2 D DIP T125 ATEX		2860		3,25					213260430
EGM 300	2 GEEExe II T3 ATEX	400V, 50Hz	2905	2,40	4,80	3400	2400	53	83	213260240
	2 D DIP T125 ATEX		2890	3,00	6,10					213260440
EGM 500	2 GEEExe II T3 ATEX	400V, 50Hz	2915	5,50	10,40	6500	2450	81	89	213260250
	2 D DIP T125 ATEX		2925		10,30					213260450
EGM 700	2 GEEExe II T3 ATEX	400V, 50Hz	2920	7,50	12,70	8200	3400	132	94	213260260
	2 D DIP T125 ATEX		2930		13,80					213260460

## Performance curves



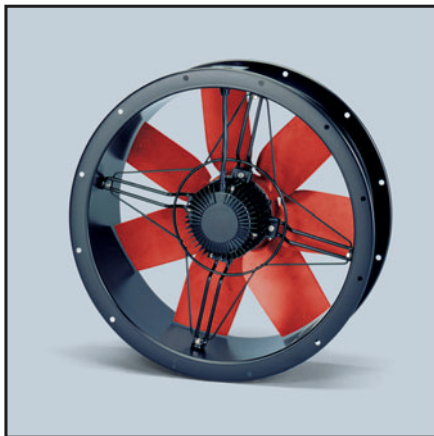








HCBT



TCBT

Axial-flow fan Compact type HCBT and TCBT with fan blades in cast aluminium may be supplied in the version meeting the requirements of DIRECTIVE 94/9/EU „ATEX’ for explosion proof equipment:

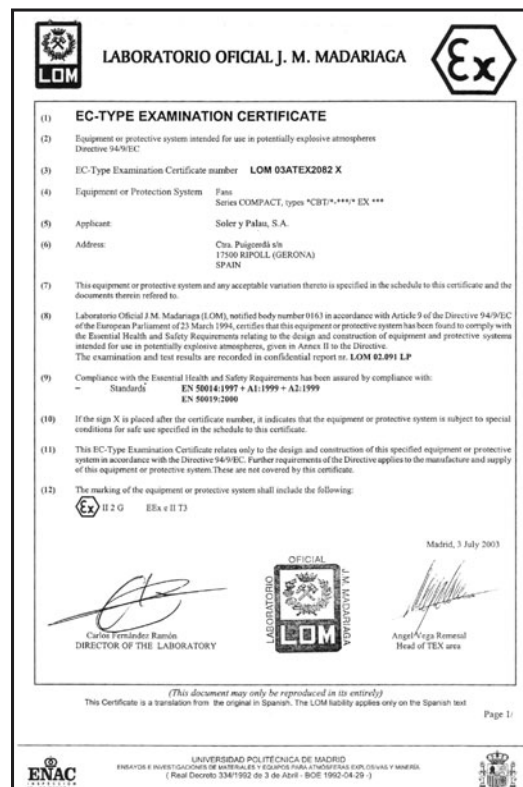
**Increased safety** **II2G EExe II T3**

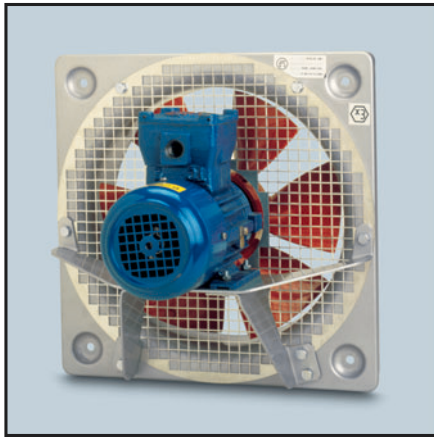
Fan type: HCBT, TCBT  
 Fan size: 315 - 1000 mm  
 Version: 4,6 and 8 poles  
 Motor: 230/400V 50Hz asynchronous motor, enclosure IP55, insulation class F  
 Working temperature: -30°C +40°C  
 Technical specification: see page 24-32 (HCBT) and page 36-43 (TCBT)

**Flameproof enclosures** **II2G EExd II BT5 or EExd II CT4**

Fan type: HCBT/...-800/ and /...-1000/  
 TCBT/4-710/ and TCBT/4-800/  
 TCBT/6-800/, TCBT/8-800/  
 Motor: 230/400V 50Hz asynchronous motor, enclosure IP55, insulation class F  
 Working temperature: -30°C +40°C  
 Technical specification: see page 24-32 (HCBT) and page 36-43 (TCBT)

**LOM 03ATEX2082 X**





## Construction

Axial-flow fan in explosion proof design, can be mounted in various directions. Impellers, wall plate and motor bracket in die-cast aluminium.

- HDB - II2G EExdIIBT4 or II2G EExdIICT4
- HDT - II2G EExdIIBT5 or II2G EExdIICT4

## Motor

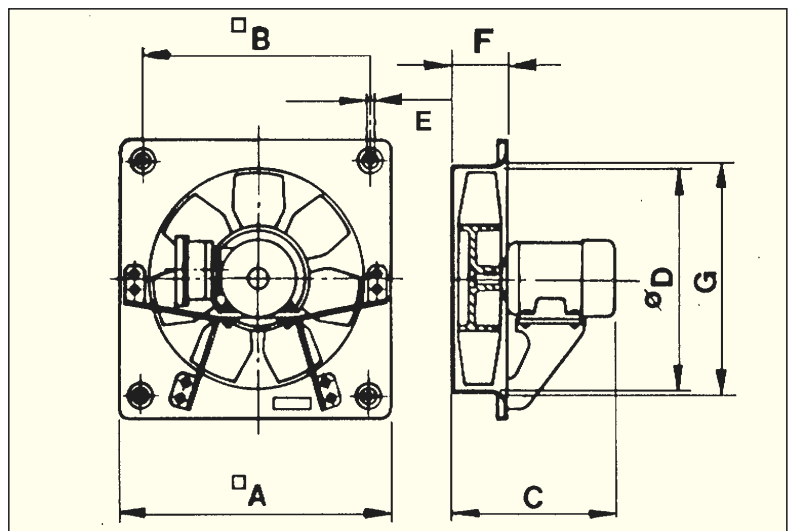
230/400V, 50Hz three-phase or 230V, 50Hz single-phase asynchronous motor in flameproof design. Insulation class F, enclosure IP55.

## Data

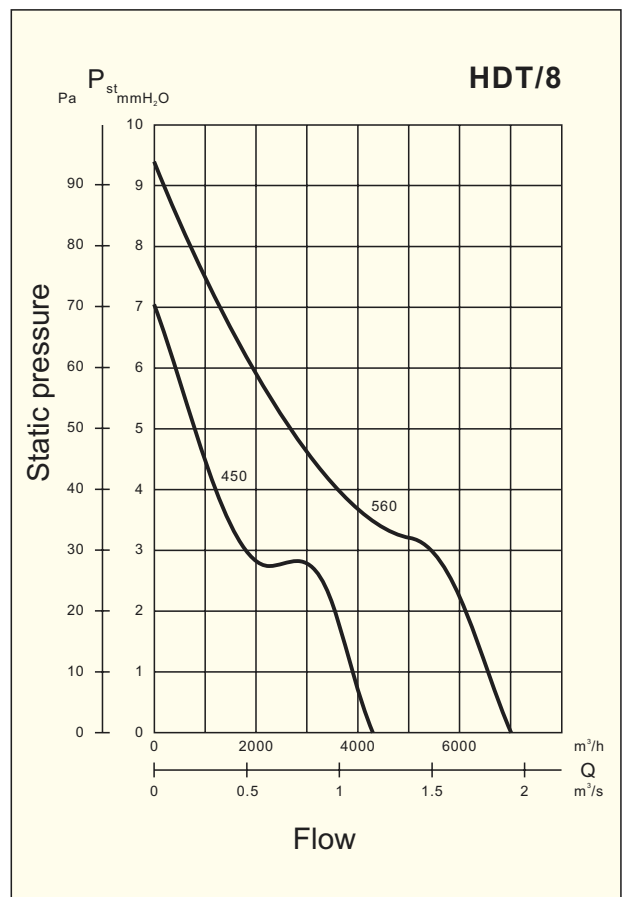
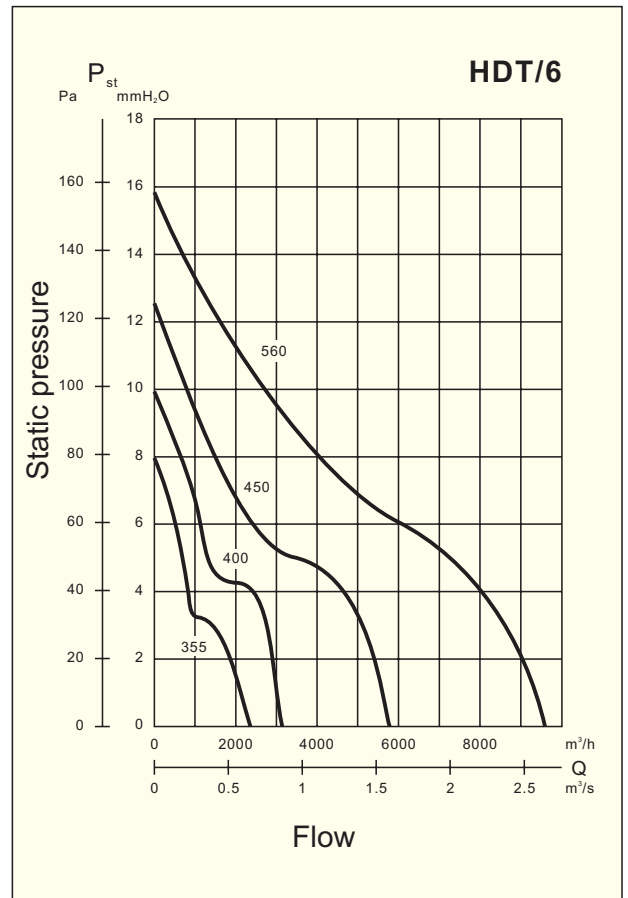
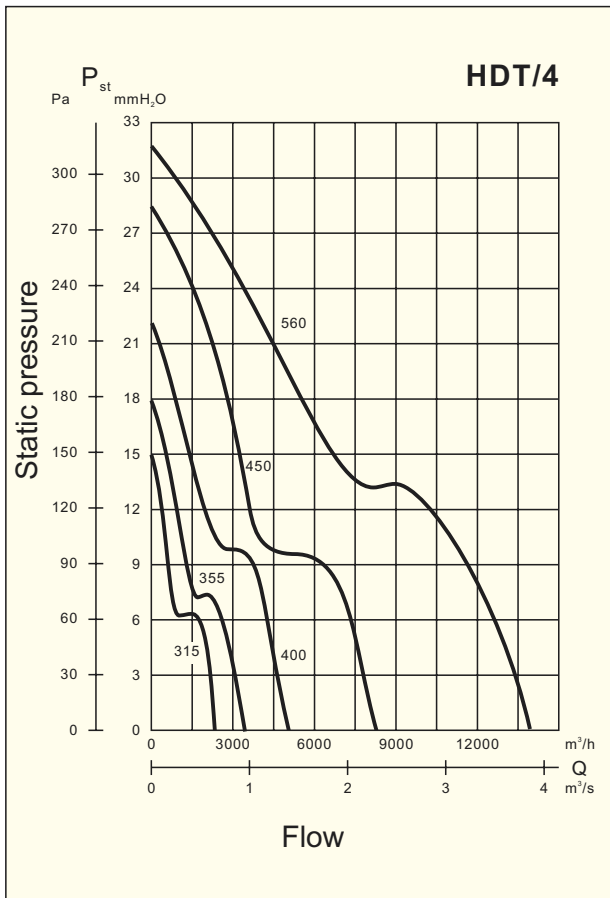
Type	Speed rpm	Motor power kW	Maximum current		Maximum duty m³/h	Sound pressure level dB (A)	Weight kg	Article number
			A					
			230 V	400 V				
HDB/4-315	1 300	0,12	0,9	-	2 240	56	11	112 440 211
HDB/4-355	1 310	0,18	1,14	-	3 120	60	12	112 440 221
HDB/6-355	920	0,12	1,02	-	2 100	52	12	112 440 231
HDT/4-315	1 330	0,12	0,90	0,52	2 240	56	9,5	112 440 011
HDT/4-355	1 340	0,18	1,14	0,66	3 120	60	11	112 440 021
HDT/6-355	950	0,12	1,02	0,59	2 100	52	11	112 440 031
HDT/4-400	1 370	0,37	1,90	1,10	4 780	65	15	112 440 035
HDT/6-400	900	0,15	1,13	0,65	3 140	56	15	112 440 037
HDT/4-450	1 380	0,55	2,60	1,50	8 000	66	20	112 440 041
HDT/6-450	900	0,25	1,73	1,00	5 300	58	16	112 440 051
HDT/8-450	670	1,11	1,07	0,62	4 100	52	16	112 440 061
HDT/4-560	1 390	1,00	5,02	2,90	13 700	73	29	112 440 071
HDT/6-560	920	0,75	3,11	1,80	9 300	65	29	112 440 081
HDT/8-560	680	0,26	1,77	1,02	7 250	59	20	112 440 091

## Dimensions in mm

Type	A	B	C			DØ	EØ	F	GØ
			/4	/6	/8				
HDT-315	400	330	323	-	-	315	10	85	239
HDT-355	450	380	325	325	-	355	10	87	371
HDT-400	500	420	336	336	-	400	10	90	422
HDT-450	560	480	360	349	349	450	10	106	476
HDT-560	710	630	435	435	368	560	10	112	596



Performance curves





<b>VISP</b>	<b>96</b>
<b>VASP</b>	<b>100</b>
<b>Accessories</b>	<b>104</b>

**In-Line Fans**

**Axial-flow Fans Wall Versions**

**Axial-flow Fans Cased Versions**

**Roof Fans**

**Fans "ATEX"**

**Centrifugal Fans VISP/VASP**

**Centrifugal Fans**

**Side Channel Blowers**

**Chip Extractors**

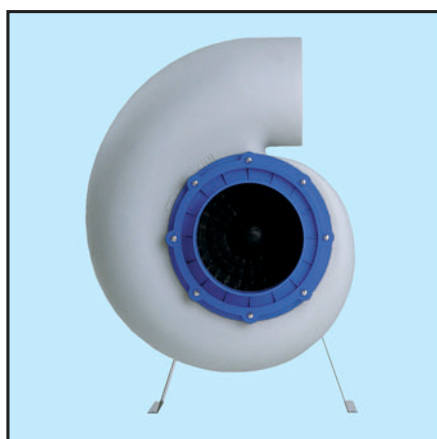
**Domestic Fans**

**Accessories**

**Electric Diagrams**

**General Information**

**Index**



**Construction**

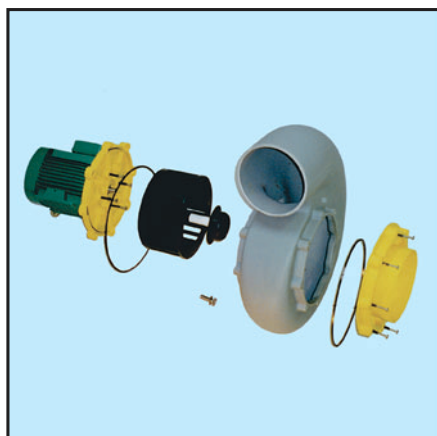
Single inlet, direct driven centrifugal fan. Suitable for operation in corrosive applications including plating, fume handling, lab hood exhaust, etc. Casing made of single block strong high density UV treated and recyclable polypropylene (PPH) with no welded joint. Forward curved centrifugal type impeller made of injection molded PPH. Fan wheel supplied with motor shaft bushing and hub cap constructed of PPH. Wheels electronically and dynamically balanced to ISO1940. PPH casing and wheel recommended up to 80°C.

**Motor**

Direct drive, asynchronous, single or three phase, IP55. Single speed: three phase 120/400 V - 50/60 Hz, single phase 230 V - 50 Hz.

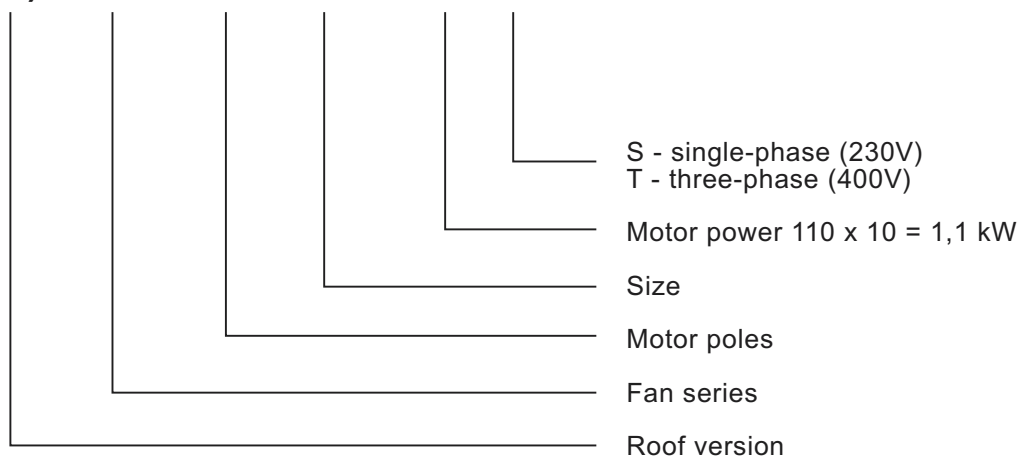
Explosion-proof motors available on request.

VISP series fans are also available in ATEX 3G execution in accordance with 94/9/EC ATEX regulation. Please contact us for more information.



**Model numbering system**

(R) VISP / 2 - 20 - 110 T



## Data

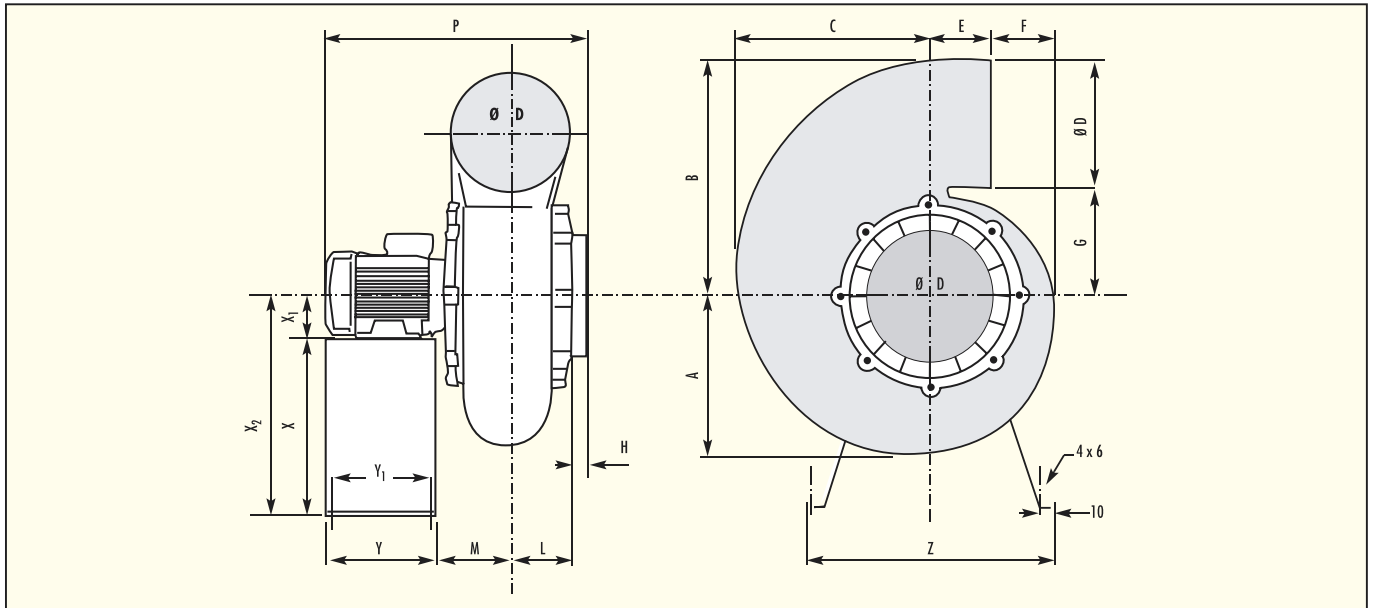
Type	Speed rpm	Motor power kW	Voltage V	Maximum current A	Maximum duty m <sup>3</sup> /h	Maximum static pressure Pa	Weight kg	Article number
VISP/6-15-018T	880	0,18	400	0,6	280	46	12	213195100
VISP/4-15-025T	1350	0,25	400	0,71	440	110	12	213195110
VISP/4-15-025S	1350	0,25	230	2,3	440	110	12,5	213195115
VISP/2-15-037T	2730	0,37	400	0,9	860	430	12,3	213195120
VISP/2-15-037S	2800	0,37	230	3,0	860	430	12,7	213195125
(R) VISP/6-20-018T	880	0,18	400	0,6	860	115	13	213195130
(R) VISP/4-20-025T	1350	0,25	400	0,71	1320	240	13,2	213195140
(R) VISP/4-20-025S	1350	0,25	230	2,3	1320	240	13,7	213195145
(R) VISP/2-20-075T	2770	0,75	400	1,7	1400	1040	20,5	213195150
(R) VISP/2-20-075S	2820	0,75	230	5,2	1400	1040	20,5	213195155
(R) VISP/2-20-110T	2770	1,1	400	2,45	1950	1040	21,7	213195160
(R) VISP/2-20-110S	2820	1,1	230	7,9	1950	1040	20,5	213195165
(R) VISP/6-25-018T	880	0,18	400	0,6	1550	150	16	213195170
(R) VISP/4-25-037T	1380	0,37	400	0,98	2410	370	16,5	213195180
(R) VISP/4-25-037S	1360	0,37	230	3,1	2410	370	17	213195185
(R) VISP/2-25-220T	2845	2,2	400	4,6	2000	1450	27,5	213195200
(R) VISP/2-25-300T	2835	3,0	400	6,5	3450	1450	29	213195210
(R) VISP/6-30-055T	900	0,55	400	1,65	3050	220	27	213195220
(R) VISP/4-30-150T	1420	1,5	400	3,4	4820	560	31,5	213195230
(R) VISP/4-30-150S	1400	1,5	230	9,3	4820	560	31,5	213195235
(R) VISP/8-35-150T	710	1,5	400	4,2	5500	280	59	213195240
(R) VISP/6-35-220T	955	2,2	400	5,4	7000	450	59	213195250
(R) VISP/4-35-550T	1450	5,5	400	10,9	8400	1090	74	213195260
(R) VISP/4-35-750T	1455	7,5	400	14,4	10100	1090	80	213195270

## Acoustic characteristics (R) VISP

	VISP 15		VISP 20		VISP 25			VISP 30		VISP 35		
	point 1	point 2	point 1	point 2	point 1	point 2	point 3	point 1	point 2	point 1	point 2	
rpm	1450	1450	1450	1450	1450	1450	2870	1450	1450	1450	1450	
Flow	39	251	445	660	662	1330	3079	915	2481	6120	10080	
Static pressure	109	87	217	199	350	318	1046	552	477	750	625	
Frequency Hz	<b>125</b>	50,5	55,3	65,1	67,6	70,1	72,2	84	75,1	60,6	74,5	74,5
	<b>250</b>	51,6	51,7	64,9	65,3	70,8	70,6	86,9	76,5	68,5	68,2	72
	<b>500</b>	52,7	52,1	63,8	64,8	70,1	72,1	85	76,9	75,5	68,4	76,1
	<b>1000</b>	46,8	49,8	61	61,9	69,8	70,5	87,2	73,2	74,2	67,4	75,5
	<b>2000</b>	39,2	41,8	52,3	53	59,8	62,1	82,3	68,5	71	61,2	70,9
	<b>4000</b>	32,8	36,9	50,6	51,33	54,7	59,2	79,6	63,9	66,7	61,3	71,4
Lw (dB)	57	58,9	70,1	71,5	76,4	77,7	92,7	82	79,5	82,4	87,9	
Lw (dBA)	52,2	53,7	65,3	66,2	72,7	73,9	90,6	78,2	78,4	77,3	86	

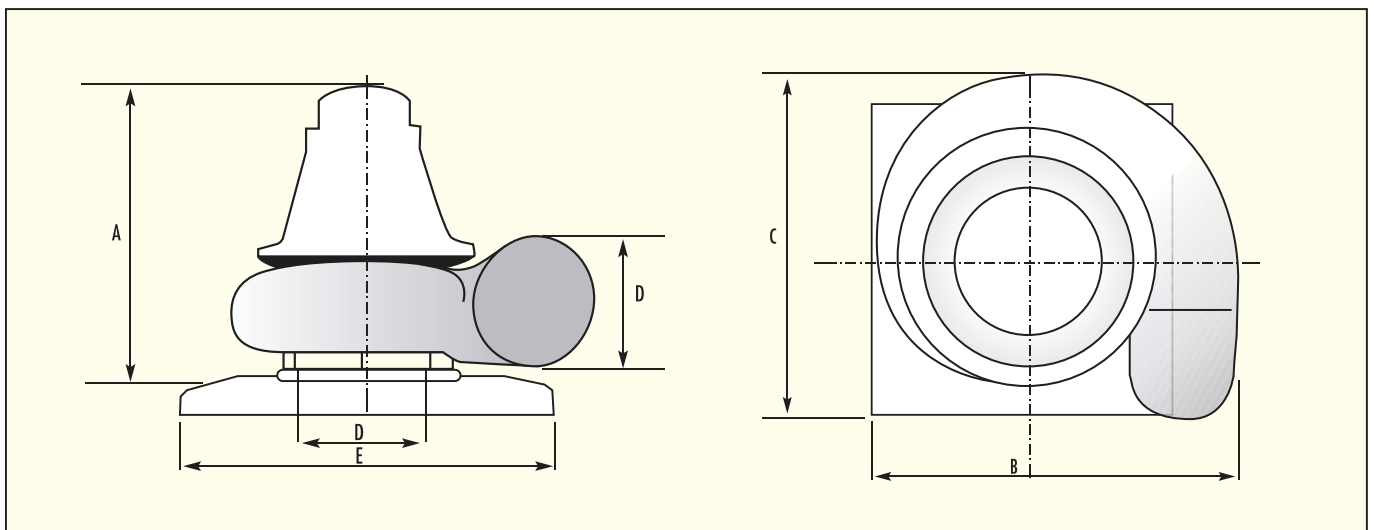


Dimensions in mm



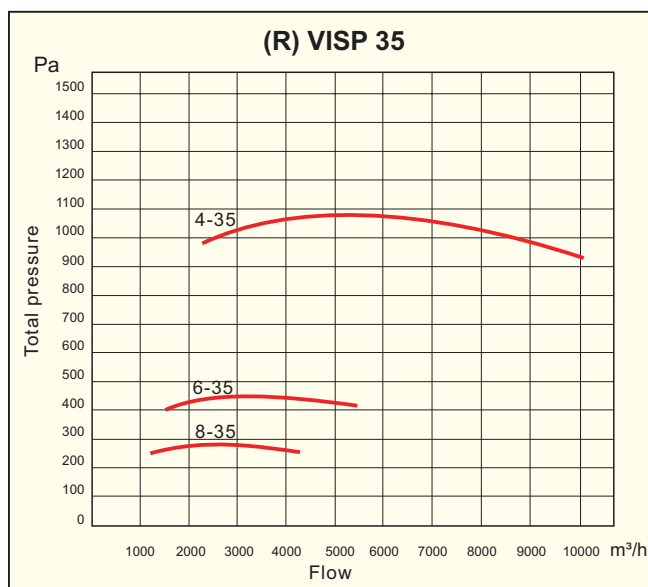
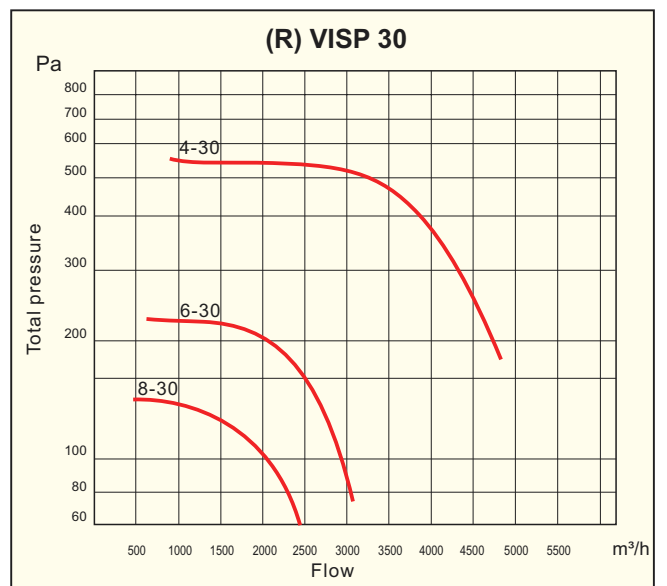
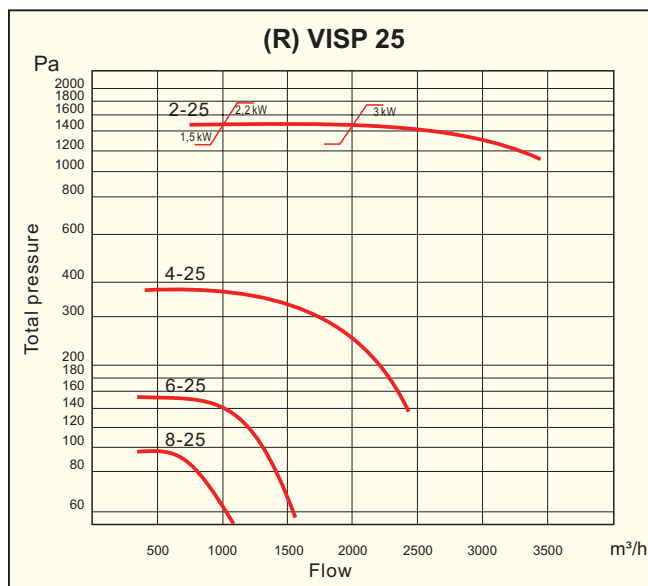
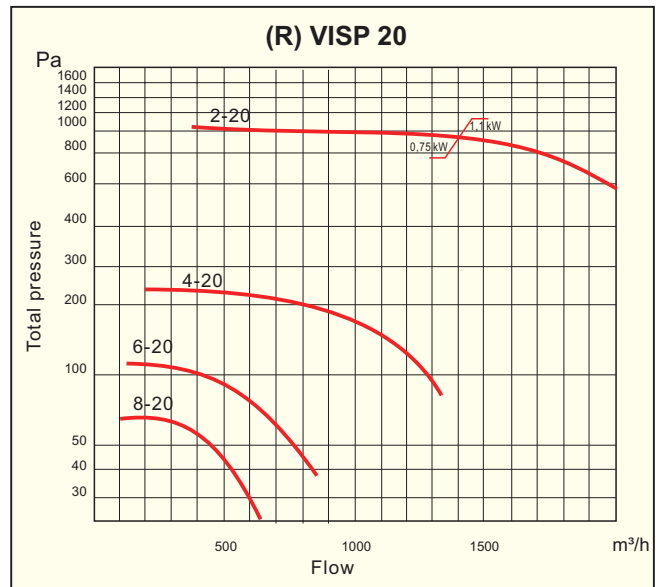
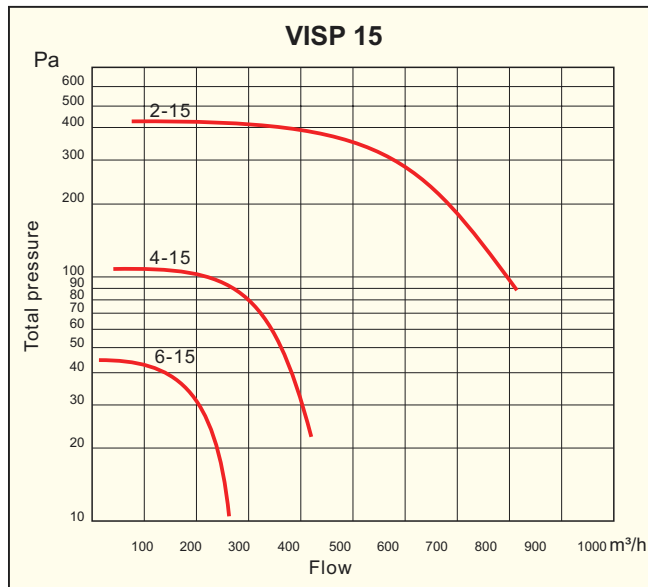
VISP	Type	A	B	C	D	E	F	G	H	L	M	P	Y	Y1	Z	X	X1
	15	170	240	203	125	100	32	115	30	70	80	360	180	160	340	240	71
	20	208	303	240	160	100	57	143	32	84	94	390	180	160	340	240	71/80*
	25	248	365	310	200	103	92	165	35	95	105	415	180	160	420	300	71/90*
	30	300	450	373	250	117	112	198	35	110	120	505	240	220	460	270	80/90*
	35	370	570	450	315	130	170	255	60	150	170	730	350	314	600	468	112

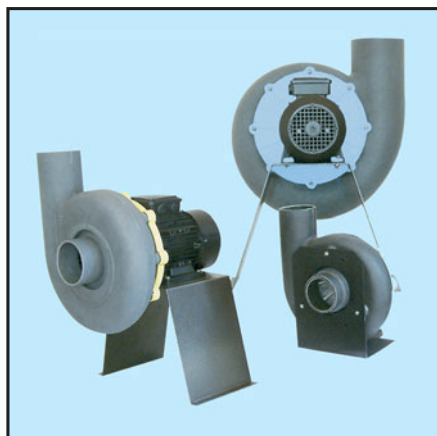
\* - Depends on selected motor size



RVISP	Type	A	B	C	D	E
	20	460	590	555	160	547x547
	25	500	640	590	200	547x547
	30	600	750	650	250	547x547
	35	880	950	850	315	700x700

Performance curves



**NOWOŚĆ****Construction**

Single inlet, direct driven centrifugal fan. Suitable for ventilation of safety cabinets, scrubbers, fume capture arm, filter housing, etc.

Casing made of single block strong high density UV treated and recyclable polypropylene (PPH) with no air leakage. All fan mounting hardware is stainless steel. Forward curved centrifugal type impeller made of injection molded PPH. Fan wheel supplied with motor shaft bushing and hub cap constructed of PPH. Wheels electronically and dynamically balanced. LG/CCW rotation only. PPH casing and wheel recommended up to 80°C.

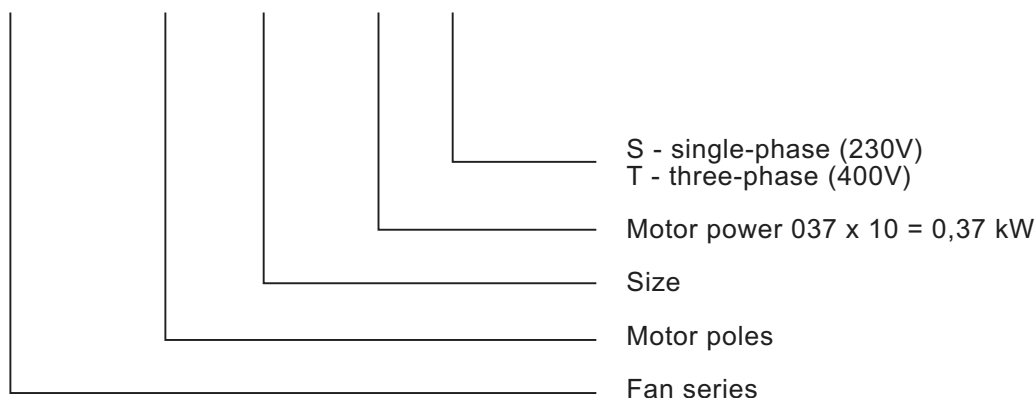
**Motor**

Direct drive, asynchronous, single or three phase, IP55. Single speed: three phase 230/400 V- 50/60 Hz, single phase 230 V - 50 Hz. Explosion-proof motors available on request.

VASP series fans are also available in ATEX Zone II, category 3G execution in accordance with ATEX regulation 94/9/CE. Please contact us for more information.

**Model numbering system**

**VASP - 2 - 12 - 037 T**

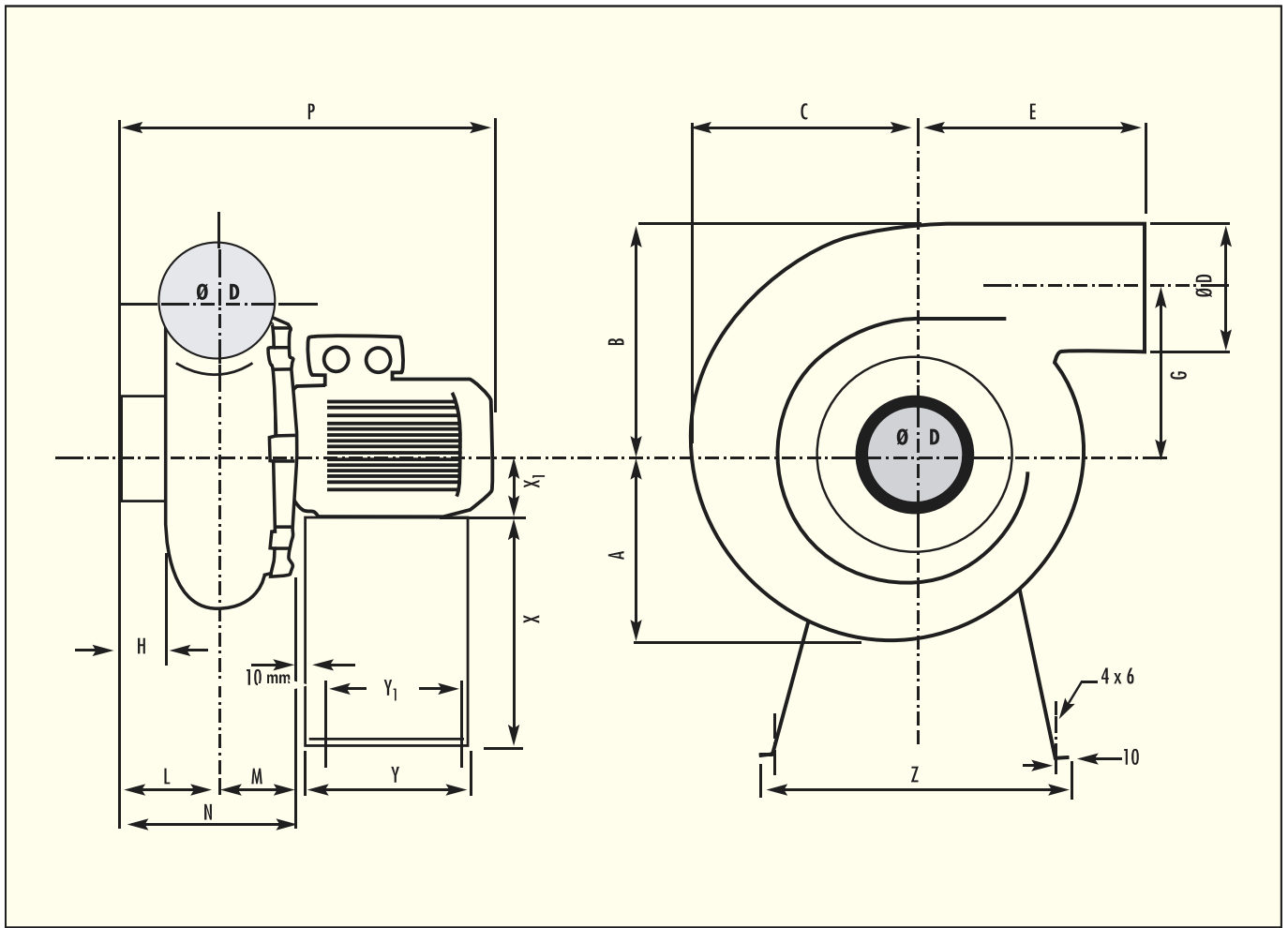


## Data

Type	Speed rpm	Motor power kW	Voltage V	Maximum current A	Maximum duty m <sup>3</sup> /h	Static pressure Pa	Weight kg	Article number
VASP/4-10-006T	1400	0,06	400	0,25	80	110	5	213195500
VASP/4-10-006S	1410	0,06	230	0,53	80	110	6	213195505
VASP/2-10-012T	2800	0,12	400	0,32	180	420	5,5	213195510
VASP/2-10-012S	2860	0,12	230	1,0	180	420	5,5	213195515
VASP/4-12-025T	1380	0,25	400	0,85	270	220	11,5	213195520
VASP/4-12-025S	1350	0,25	230	2,3	270	220	12	213195525
VASP/2-12-037T	2800	0,37	400	1,0	530	830	12	213195530
VASP/2-12-037S	2800	0,37	230	3,0	530	830	12	213195535
VASP/2-14-110T	1415	1,1	400	2,7	1080	1350	21,5	213195540
VASP/2-14-110S	1380	1,1	230	7,5	1080	1350	21,5	213195545
VASP/2-16-220T	2845	2,2	400	4,6	1850	2010	28	213195550

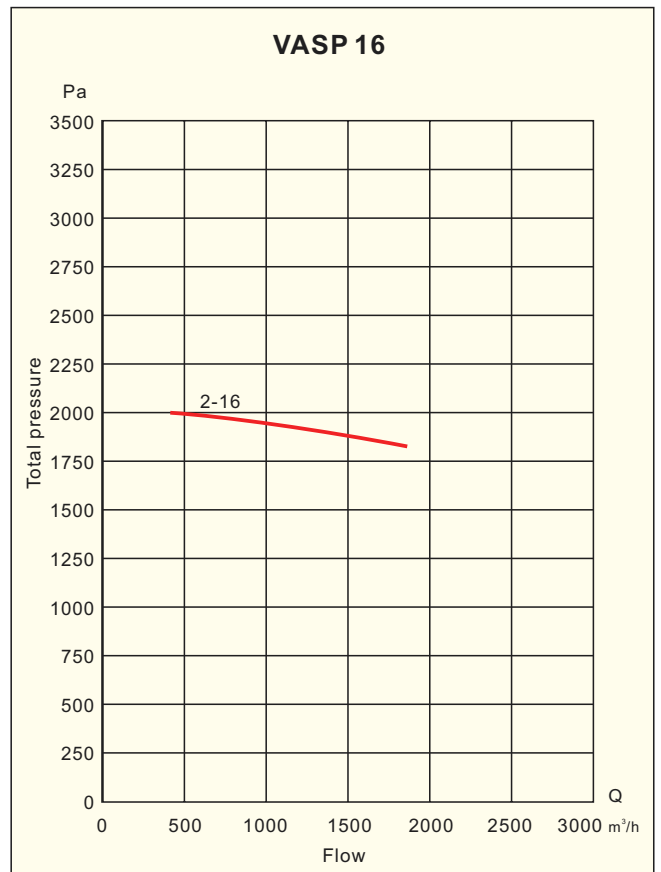
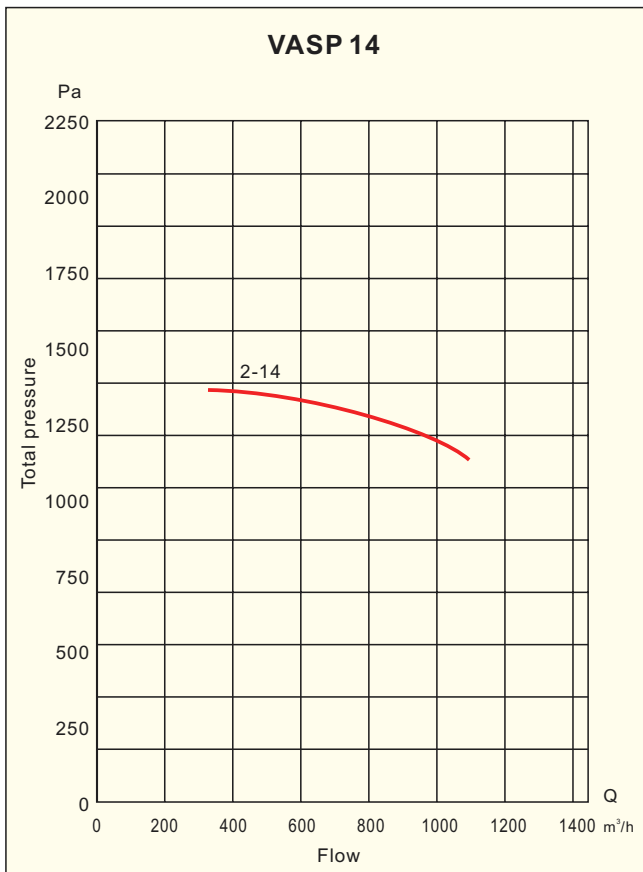
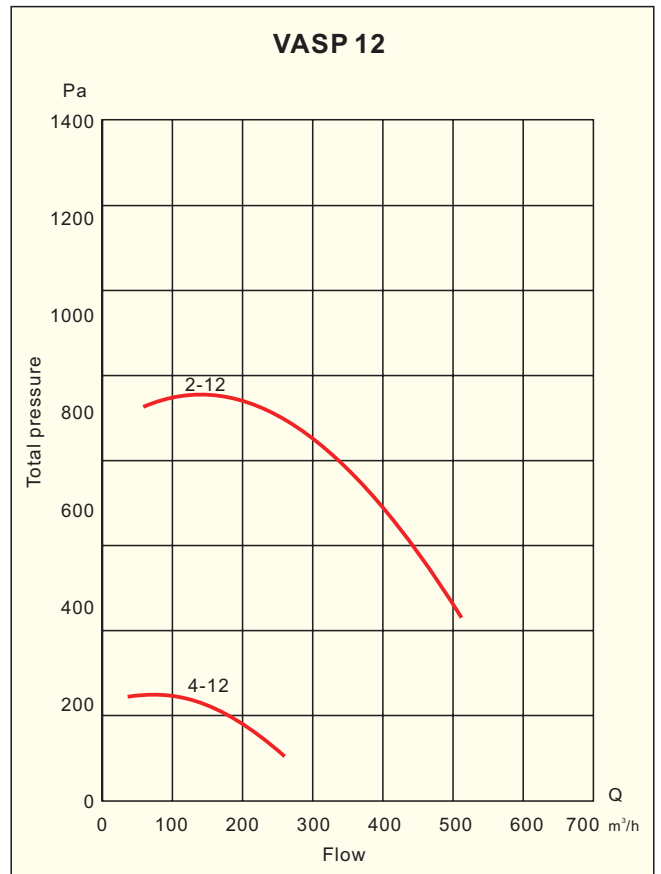
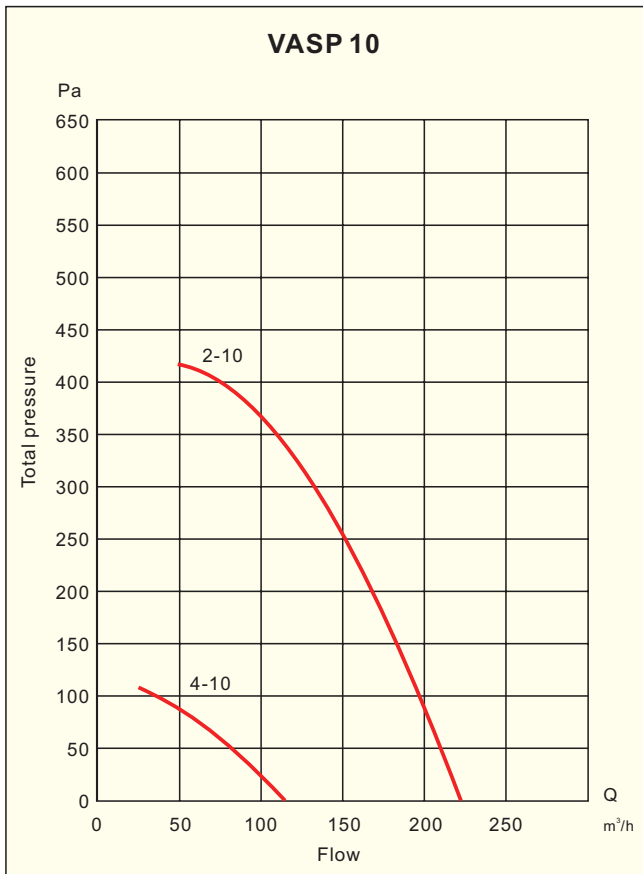
## Acoustic characteristics VASP

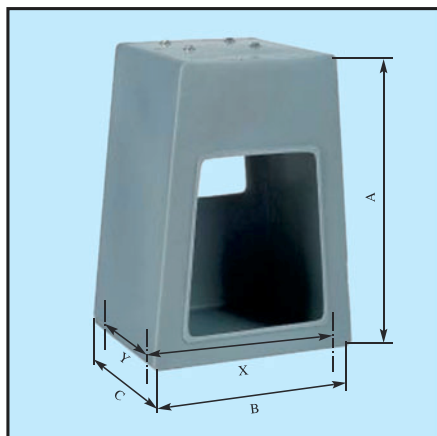
		VASP 10		VASP 12		VASP 14		VASP 16	
		point 1	point 2	point 1	point 2	point 1	point 2	point 1	point 2
Speed [rpm]		1435	2870	1450	2850	1450	2850	1450	1450
Flow [m <sup>3</sup> /h]		58	116	233	458	538	1057	906	2481
Total pressure [Pa]		96	386	208	805	400	1547	585	477
		Lw(dB)	Lw(dB)	Lw(dB)	Lw(dB)	Lw(dB)	Lw(dB)	Lw(dB)	Lw(dB)
Frequency Hz	50			79,9	92,5	81,5	104,7	85,5	107,9
	100			71,9	88,5	76,9	90,2	87	94,2
	250	49,8	66,9	63,6	76,4	74,7	87,3	74,3	94
	500	45,2	64,8	66,4	72,6	69,1	84,1	70,9	84,1
	1000	49,8	60,3	55,7	76,4	61,4	80	69,2	83,4
	2500			47,7	63,3	54,6	71,8	62,9	80,3
	5000			43,3	62,4	50	69,3	57,8	77,5
	10000			41,4	58	48,3	64,7	49,7	72,5
Lw (dB)		61,6	80,8	83,9	98,1	87,3	105,8	93,6	110
Lw (dBA)		52,3	69,7	71,7	85,8	75	89,8	78,3	94,8



**Dimensions in mm**

VASP		A	B	C	D	E	G	H	L	M	N	P	Y	Y <sub>1</sub>	Z	X	X <sub>1</sub>
	<b>10</b>		115	135	127	75	158	97	32	48	57	137	295	12	100	165	135
<b>12</b>		145	175	163	90	212	130	45	80	72	152	350	180	160	340	240	71
<b>14</b>		188	232	227	125	218	170	55	110	83	193	433	180	160	340	240	80
<b>16</b>		235	288	278	160	262	205	40	100	97	197	477	240	160	420	300	90

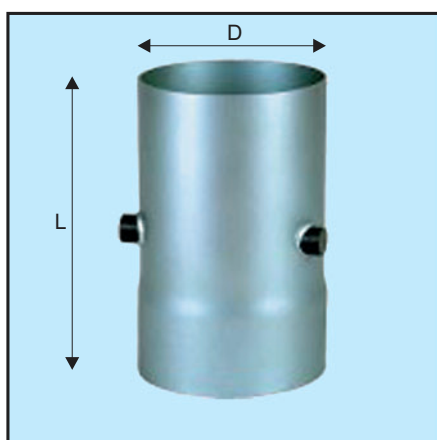
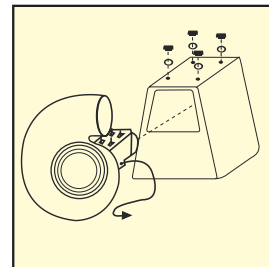




**Motor protection stand PO**

**Dimensions in mm**

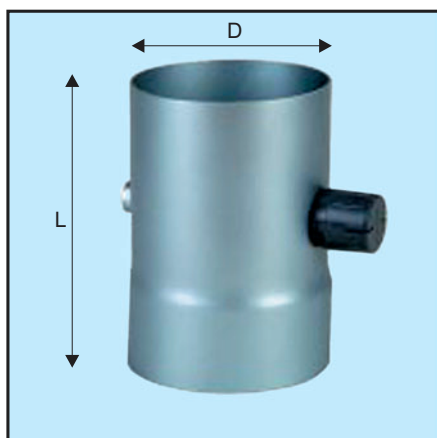
	Type	A	B	C	X	Y
VISP 15,20, VASP 10,12	350	350	395	320	260	250
VISP 25-4,6P, VASP 14	450	450	330	260	260	200
VISP 25-2P,30, VASP 16	550	550	400	365	330	300
VISP 35	700	715	585	505	520	430



**Clapper valve C**

**Dimensions in mm**

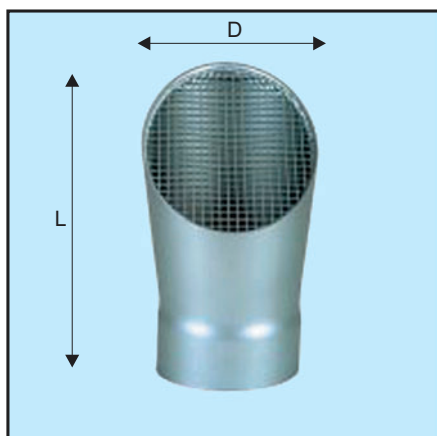
L	D
125	220
160	260
200	270
250	315
315	350



**Adjustable damper AD**

**Dimensions in mm**

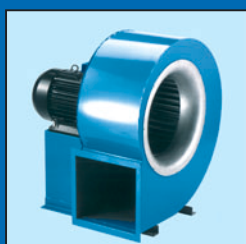
L	D
125	190
160	205
200	220
250	225
315	230



**Exhaust cap EC**

**Dimensions in mm**

L	D
125	190
160	205
200	220
250	225
315	



SEM	106
DEM	107
CBM	108
CBP	111
GSF-AP HT	115
GSF	118
GRF	120
GSFG	122
MPB	126
MPR	130
MPT	133
Accessories - MP...	138
GMT	140
GSB, MSB	144
MSB-VB	150
HSB	153
GST	156
QP	159
Q	162
Q, 2-stage	166
DPB	168
FCM, RL	170
PB, PH	171
BL, BNF	172
HPBx	173
HPB, HPT, HPR	176
Accessories - HP...	189

**In-Line Fans**

**Axial-flow Fans Wall Versions**

**Axial-flow Fans Cased Versions**

**Roof Fans**

**Fans "ATEX"**

**Centrifugal Fans VISP/VASP**

**Centrifugal Fans**

**Side Channel Blowers**

**Chip Extractors**

**Domestic Fans**

**Accessories**

**Electric Diagrams**

**General Information**

**Index**





**Construction**

Single inlet centrifugal fan with forward curved impellers manufactured in galvanized steel sheet. Casing in galvanized steel sheet.

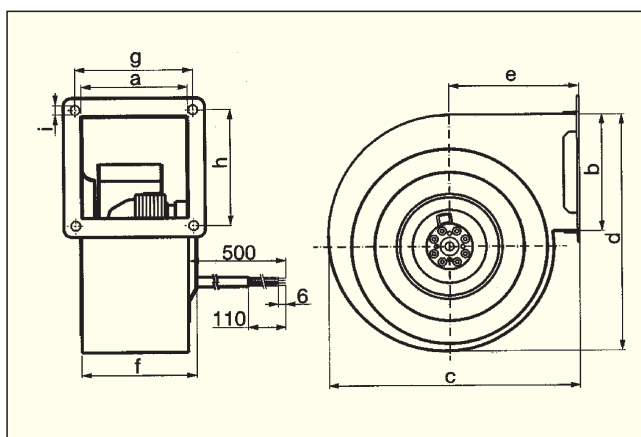
**Motor**

230V, 50Hz single-phase asynchronous external rotor motor with built-in automatic thermal protection overload switch. Enclosure IP44, insulation class B.

Wiring diagram, see page 236.

**Dimensions in mm**

Type	a	b	c	d	e	f	g	h	i
SEM-RF-2C-120/062	77	69	175	180	88	99	94	82	6
SEM-RF-2C-133/062	77	69	175	180	88	101	94	82	6
SEM-RF-2C-146/062	96	94	224	244	103	98	115	105	7
SEM-RF-2C-160/062	96	94	224	244	103	98	115	105	7
SEM-RF-4C-160/062	96	94	224	244	103	98	115	105	7
SEM-RF-4C-180/092	130	135	295	362	135	150	163	168	7

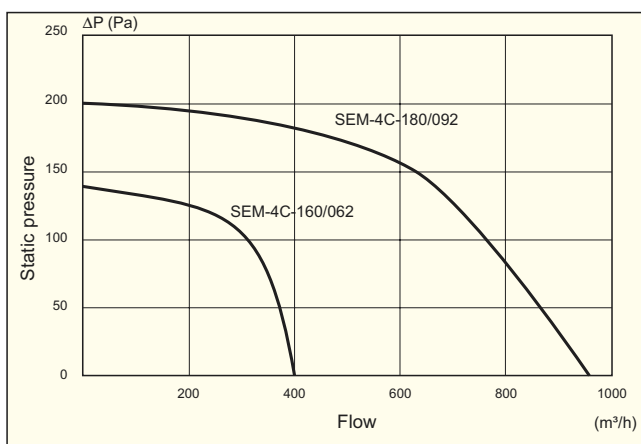
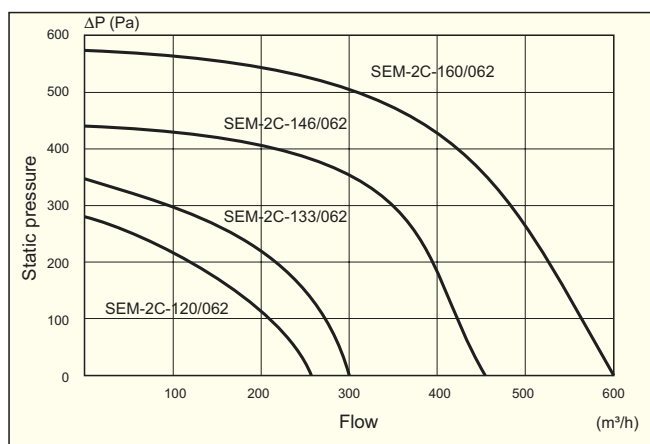


**Data**

Type	Speed rpm	Capacitor μF	Motor power W	Maximum current A	Maximum duty m³/h	Sound level dB (A)*	Maximum temperature °C	Weight kg	Article number
SEM-2C-120/062	2300	2	75	0,35	270	65	75	1,9	119 001 011
SEM-2C-133/062	1650	2	100	0,47	300	62	40	1,9	119 001 015
SEM-2C-146/062	1650	3	145	0,66	460	60	55	3,7	119 001 021
SEM-2C-160/062	2100	6	260	1,18	600	71	40	4,0	119 001 025
SEM-4C-160/062	1320	2	70	0,33	405	66	60	3,0	119 001 031
SEM-4C-180/092	1275	6	160	0,75	950	67	40	6,5	119 001 035

\* distance 1m

**Performance curves**





### Construction

Double inlet radial fan. Impellers with forward curved blades in galvanized steel sheet.

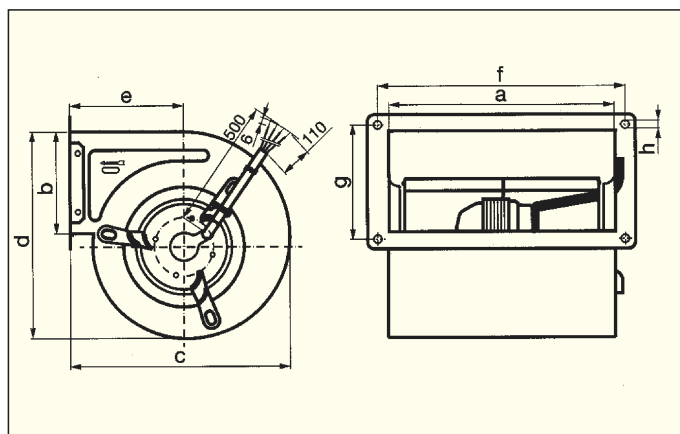
### Motor

220–240V, 50Hz single-phase external rotor motor with capacitor, suitable for variable speed control. Enclosure IP44, insulation class B. Special voltage or frequency, insulation class and enclosure, may be supplied on request.

Wiring diagram, see page 236.

### Dimensions in mm

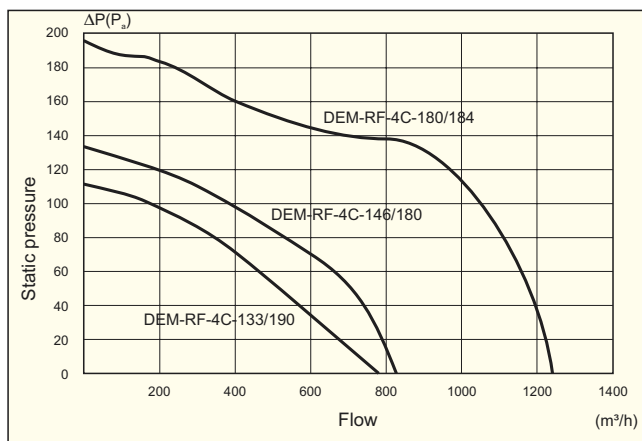
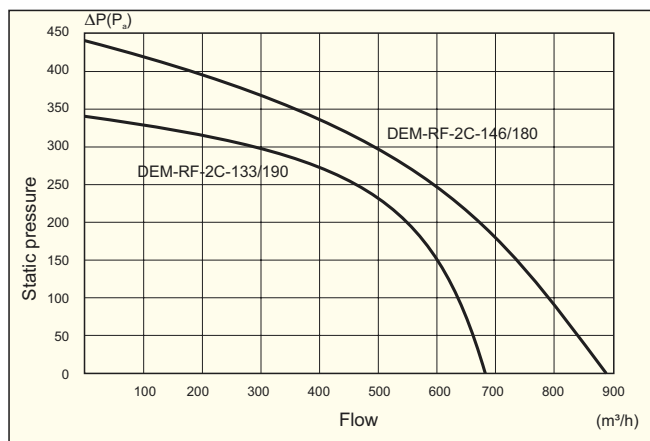
Type	a	b	c	d	e	f	g	h
DEM-RF-2C-133/190	217	70	171	180	88	254	126	5,5
DEM-RF-2C-146/180	220	100	200	205	100	254	126	5,5
DEM-RF-4C-133/190	220	100	200	205	100	254	126	5,5
DEM-RF-4C-146/180	220	100	200	205	100	254	126	5,5
DEM-RF-4C-180/184	225	120	265	260	145	287	126	7

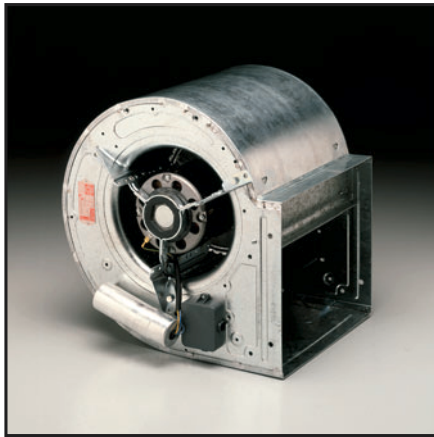


### Data

Type	Speed rpm	Capacitor μF	Motor power W	Maximum current A	Maximum duty m³/h	Sound level* dB (A)	Maximum tempera- ture °C	Weight kg	Article number
DEM-RF-2C-133/190	1750	5,0	185	0,82	685	58	45	3,52	119 001 013
DEM-RF-2C-146/180	1450	5,0	220	0,95	875	57	35	4,12	119 001 023
DEM-RF-4C-133/190	1300	2,5	80	0,40	770	56	75	3,20	119 002 011
DEM-RF-4C-146/180	1260	3,0	108	0,46	825	56	70	3,25	119 002 025
DEM-RF-4C-180/184	1250	5,0	200	0,90	1250	60	60	5,00	119 002 031

\* distance 1m





### Construction

Double inlet centrifugal fan. Forward curved impellers manufactured in galvanized steel sheet. Casing in galvanized steel sheet with easy dismountable motor brackets.

### Motor

220–240V, 50Hz single-phase asynchronous motor with capacitor, resp. 220–240/380–420V, 50Hz three-phase asynchronous motor. Enclosure IP10, insulation class B, built-in thermal overload protection. Special voltage or frequency, insulation class and enclosure may be supplied on request.

### Data

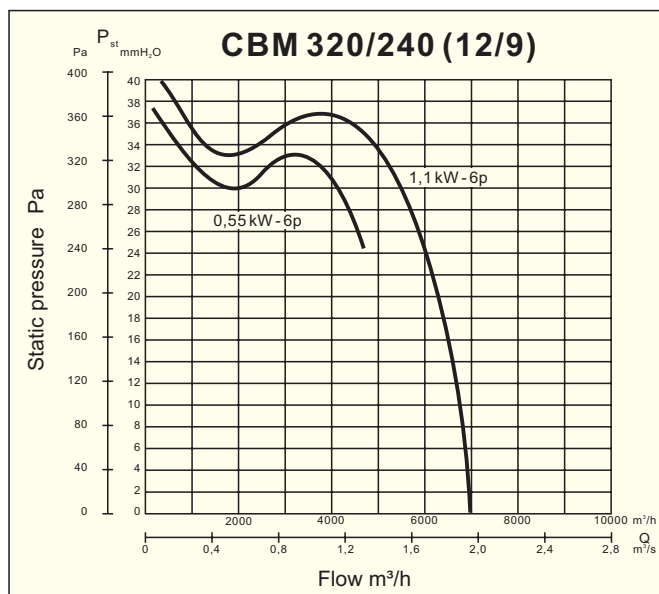
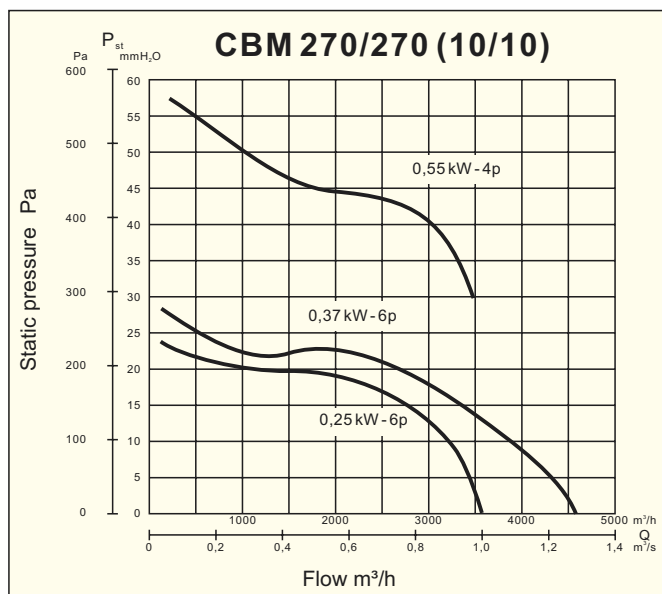
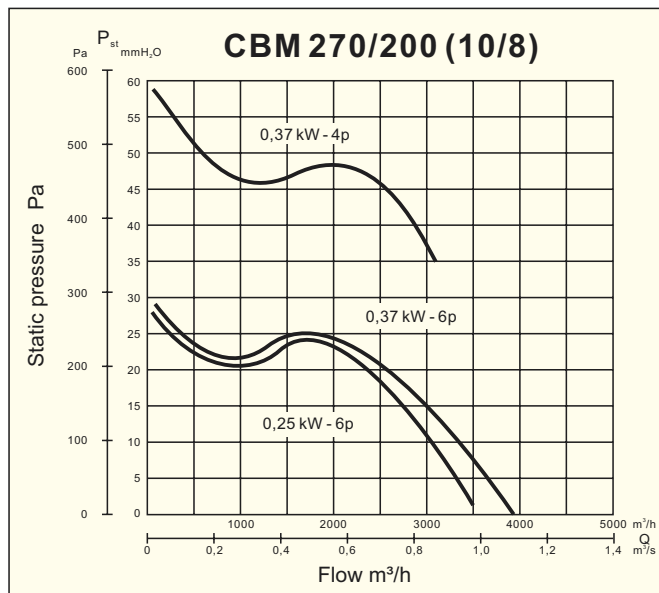
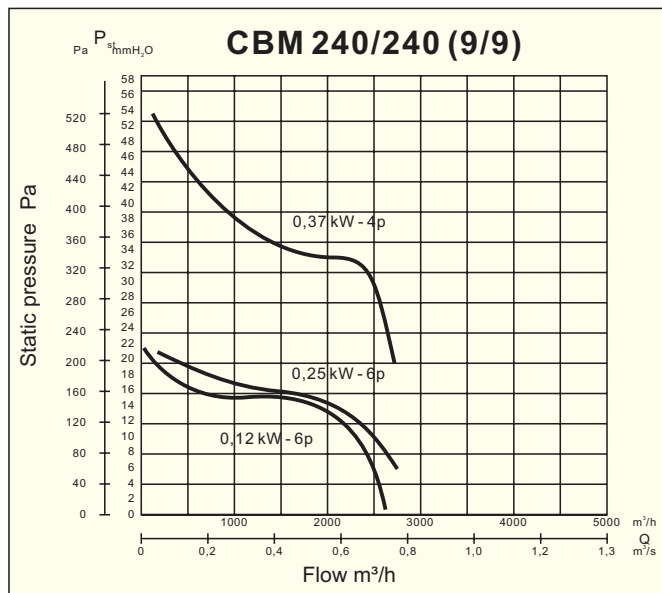
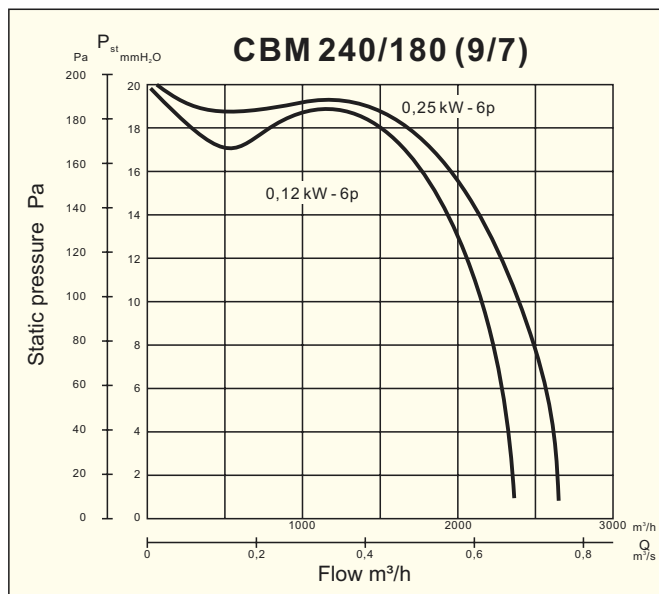
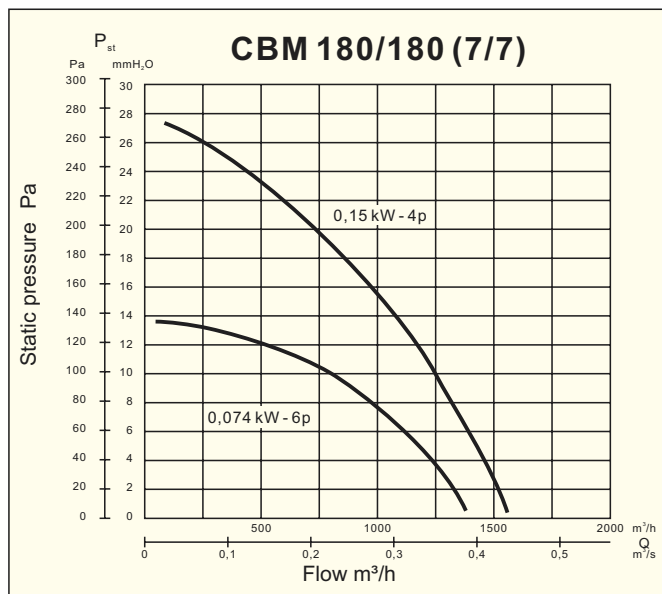
Type	Speed rpm	Motor power kW	Maximum current A	Voltage V	Maximum duty m <sup>3</sup> /h	Sound level dB (A)	Weight kg	Article number
CBM-180/180	960	0,074	1,0	230	1400	56	9	112 500 111
	1550	0,15	1,5	230	1565	59	10	112 500 151
CBM-240/180	900	0,12	2,1	230	2430	63	15	112 500 201
	920	0,25	2,5	230	2680	65	16	112 500 251
CBM-240/240	850	0,12	2,1	230	2500	61	16	112 500 301
	900	0,25	2,75	230	2900	63	17	112 500 351
	1550	0,37	3,8	230	2650	65	19	112 500 011
CBM-270/200	900	0,25	3,0	230	3480	65	18	112 500 401
	970	0,37	4,0	230	4000	68	19	112 500 051
	1300	0,37	5,0	230	3150	66	21	112 500 451
CBM-270/270	900	0,25	3,0	230	3550	63	20	112 500 501
	900	0,37	4,0	230	4500	67	21	112 500 551
	1400	0,55	5,9	230	3540	66	23	112 500 601
CBM-320/240	900	0,55	5,8	230	4700	67	28	112 500 651
	900	1,10	4,2	400	7000	75	28	112 500 701
CBM-320/320	900	0,55	5,8	230	5250	66	30	112 500 751
	900	1,10	4,0	400	7900	78	30	112 500 801
CBM-380/380	920	2,20	8,0	400	11900	76	45	112 500 811

### Accessories

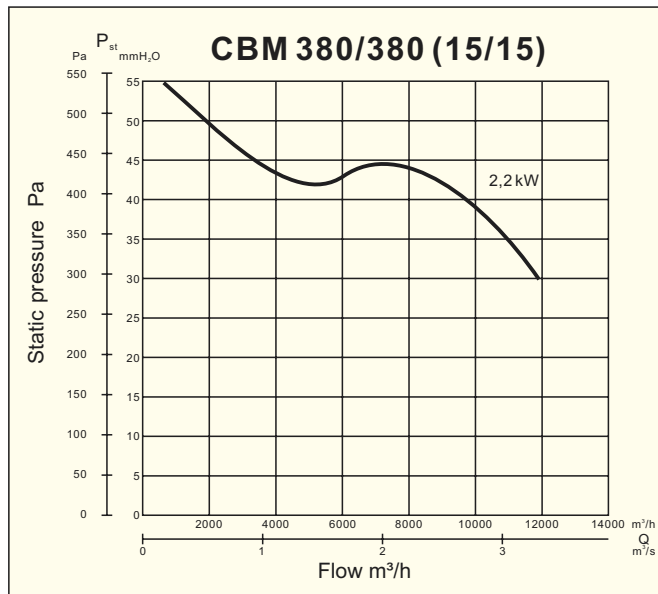
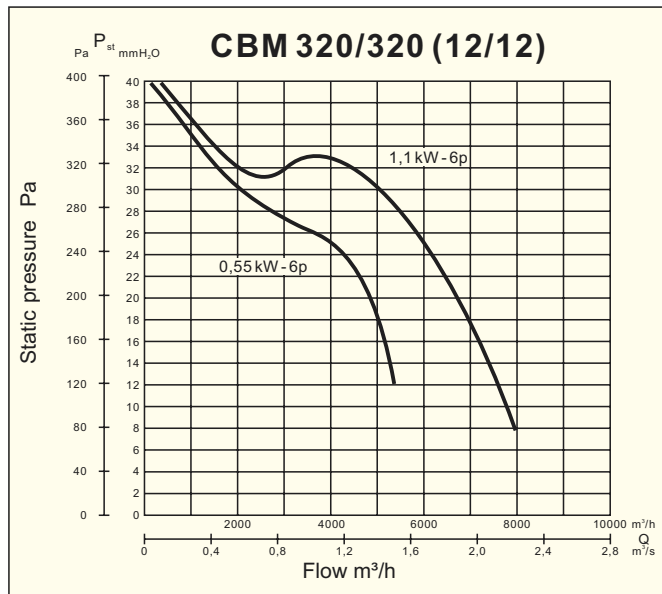


Mounting base

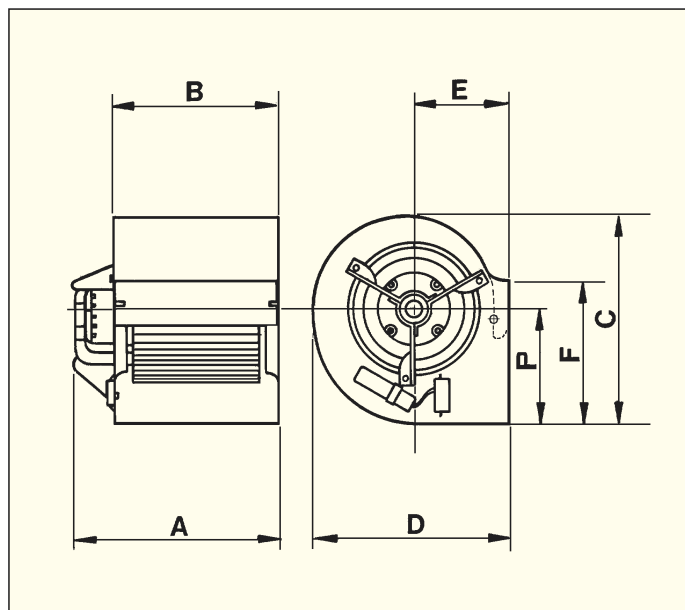
Performance curves



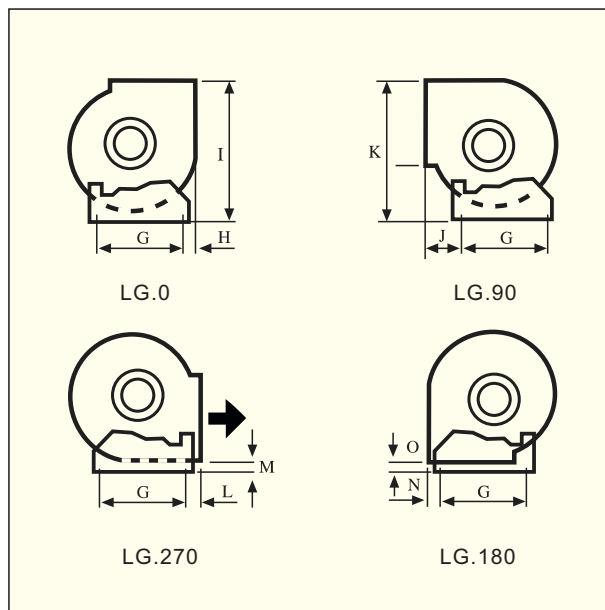
Performance curves



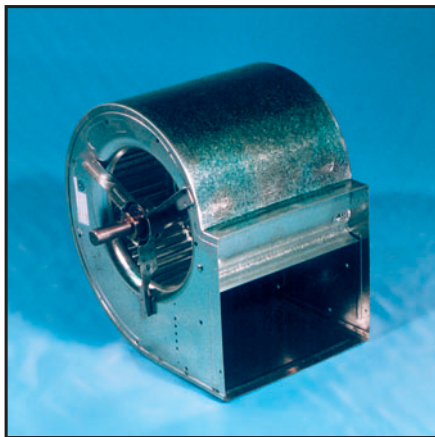
Dimensions in mm



Handing positions



Type	A	B	C	D	E	F	G	H	I	J	K	L	M	N	O	P
CBM-180/180	269	233	328	309	145	210	225	49	314	57	333	28	15	10	6	188
CBM-240/180	289	234	393	381	183	256	298	33	383	67	393	67	40	33	7	217
CBM-240/240	345	300	393	381	183	256	298	33	383	67	393	67	40	33	7	217
CBM-270/200	344	265	440	421	202	288	339	40	424	67	444	67	38	40	7	246
CBM-270/270	379	334	440	421	202	288	339	40	424	67	444	67	38	40	7	246
CBM-320/240	389	309	515	490	230	343	407	52	489	55	517	55	35	52	9	289
CBM-320/320	433	395	515	490	230	343	407	52	489	55	517	55	35	52	9	289
CBM-380/380	630	471	625	580	264	404	-	-	-	-	-	-	-	-	-	347



**Construction**

Double inlet centrifugal fan for belt drive. Forward curved impellers manufactured in galvanized steel sheet. Casing in galvanized steel sheet with easy dismountable motor brackets.

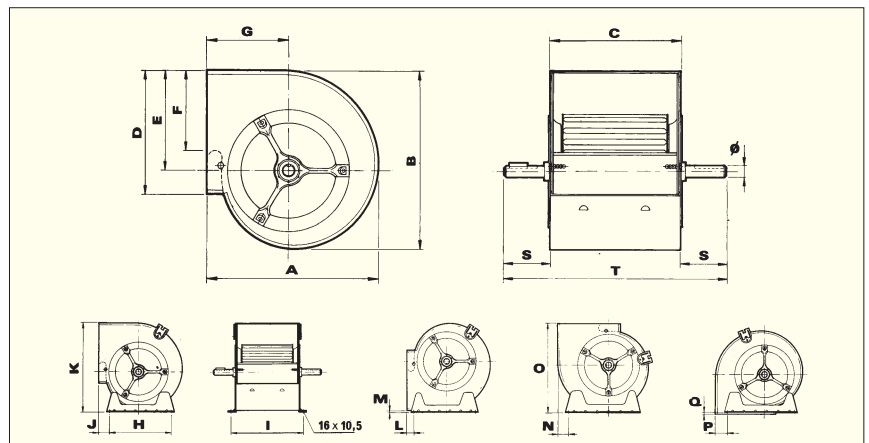
**Accessories**

Mounting base

**Data**

Type	Speed rpm	Maximum duty m <sup>3</sup> /h	Weight kg	Article number
CBP-7/7 (180/180)	2400	2800	7	112 501 011
CBP-9/7 (240/180)	2400	6000	10	112 501 021
CBP-9/9 (240/240)	2200	7000	11	112 501 031
CBP-10/8 (270/200)	1800	6500	12	112 501 041
CBP-10/10 (270/270)	1800	7000	13	112 501 051
CBP-12/9 (320/240)	1600	8000	16	112 501 061
CBP-12/12 (320/320)	1400	10000	17	112 501 071
CBP-15/15 (380/380)	1300	16000	22	112 501 081
CBP-18/18 (460/460)	1000	22000	33	112 501 091

**Dimensions in mm**



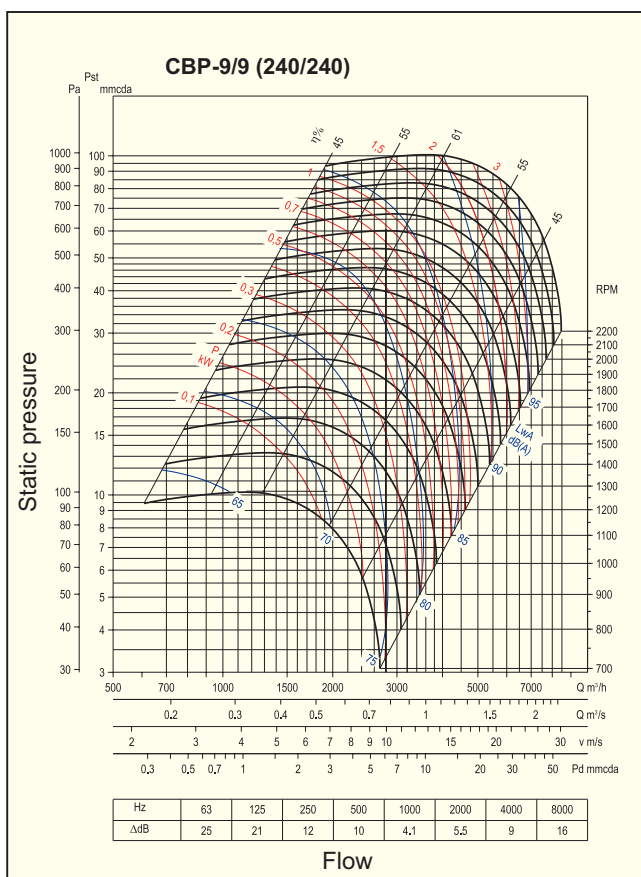
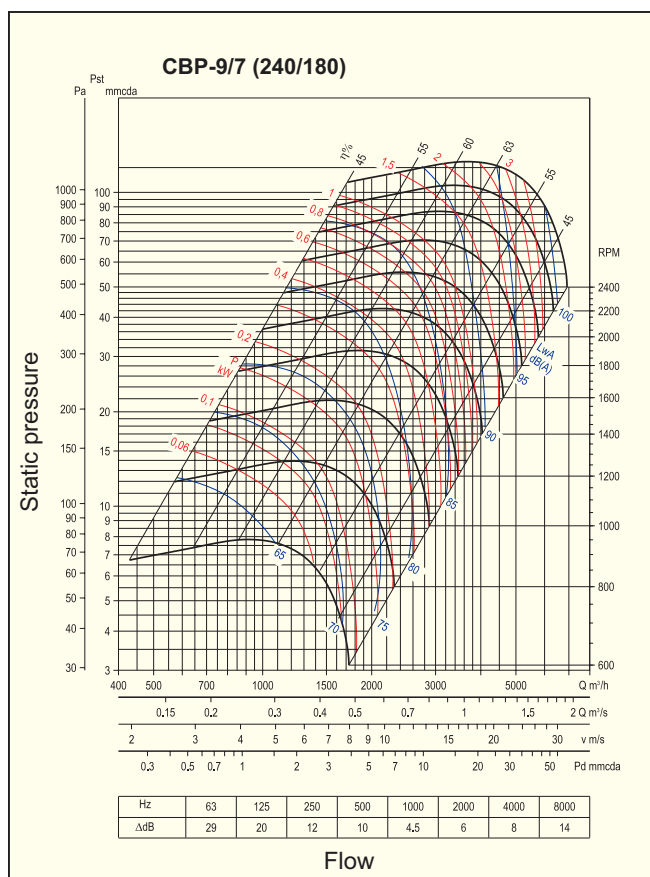
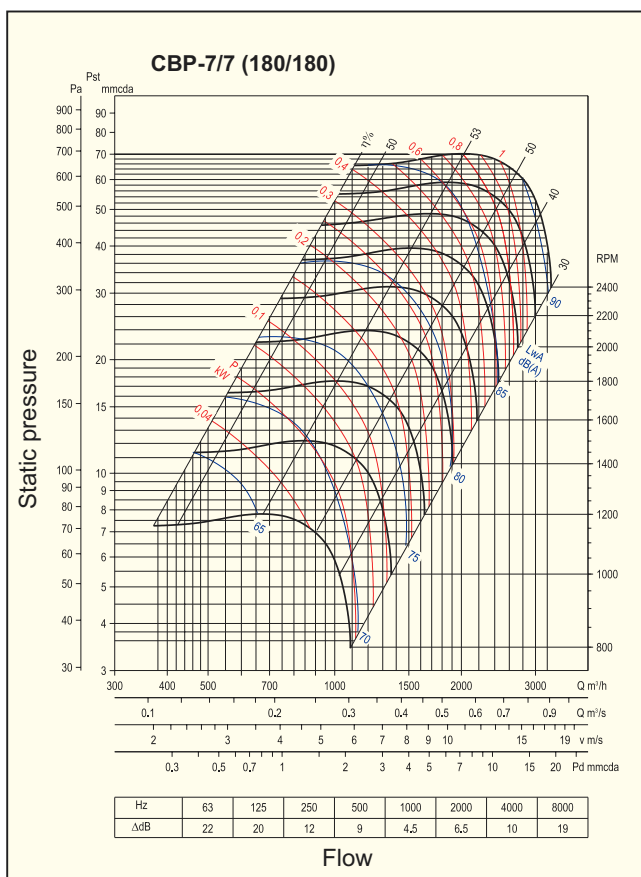
Type	A	B	C	D	E	F	G	H	I	J	K	L	M	N	O	P	Q	S	T	Ø
CBP-7/7 (180/180)	307	321	232	222	180	148	146	227	259	18	328	18	4	33	310	17	4	49	330	20
CBP-9/7 (240/180)	380	392	232	260	218	180	184	297	259	67	395	67	36	33	383	35	7	79	390	20
CBP-9/9 (240/240)	380	392	300	260	218	180	184	297	327	67	395	67	36	33	383	35	7	60	420	20
CBP-10/8 (270/200)	422	441	266	289	247	213	201	339	293	67	448	65	38	38	423	39	7	62	390	20
CBP-10/10 (270/270)	422	441	333	289	247	213	201	339	360	67	448	65	38	38	423	39	7	63,5	460	20
CBP-12/9 (320/240)	493	524	311	341	293	240	229	407	338	67	530	70	38	38	499	42	7	59,5	430	25
CBP-12/12 (320/320)	493	524	396	341	293	240	229	407	423	67	530	70	38	38	499	42	7	70	536	25
CBP-15/15 (380/380)	573	613	473	403	343	270	267	494	500	64	624	69	38	44	576	48	7	71	615	25
CBP-18/18 (460/460)	685	743	556	479	418	290	314	608	583	36	753	52	42	89	689	94	7	68	692	25

**Accessories**

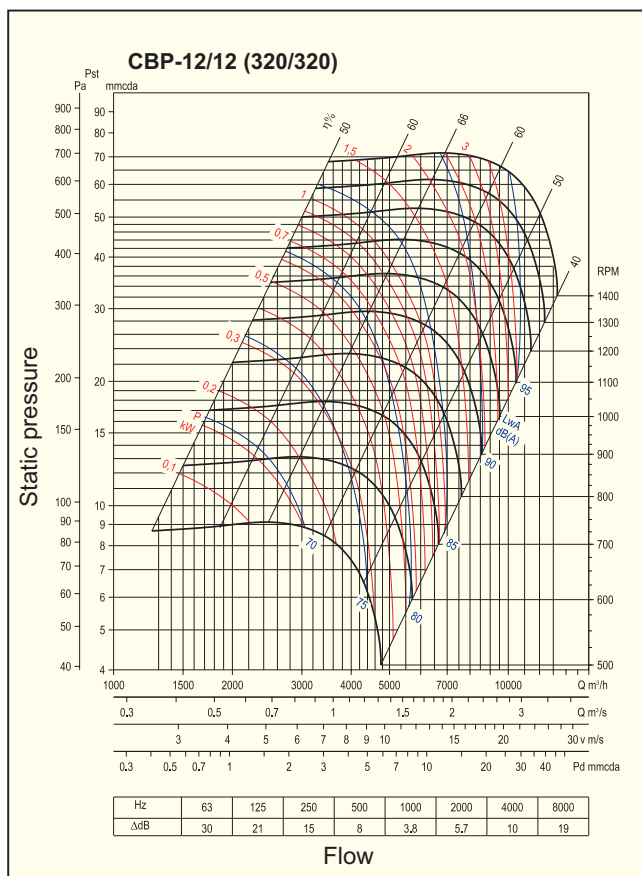
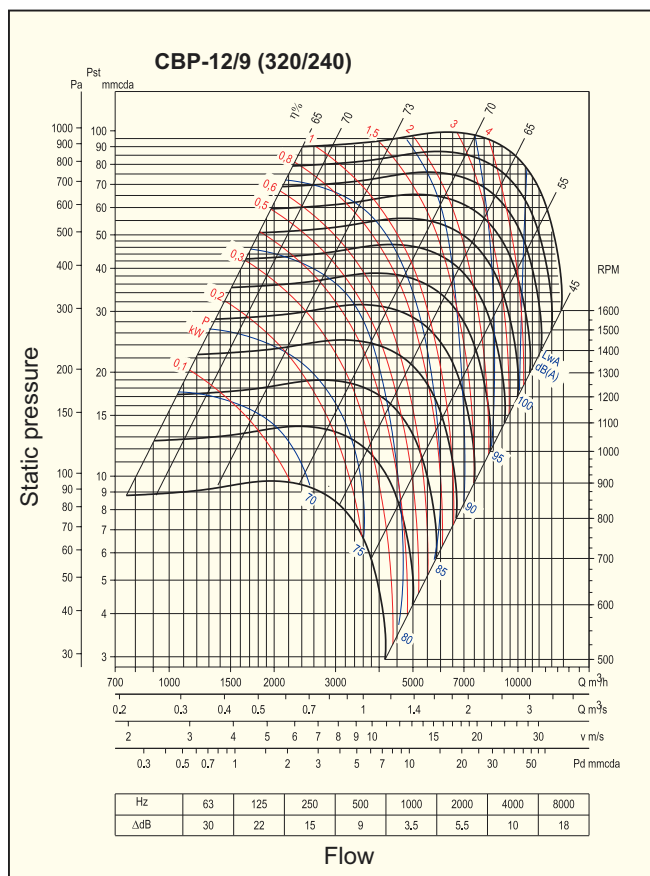
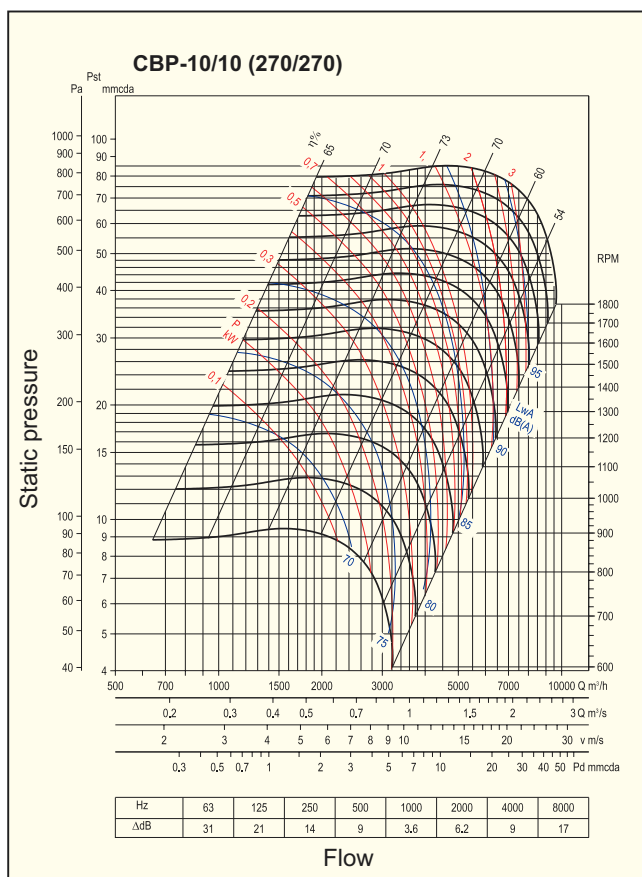
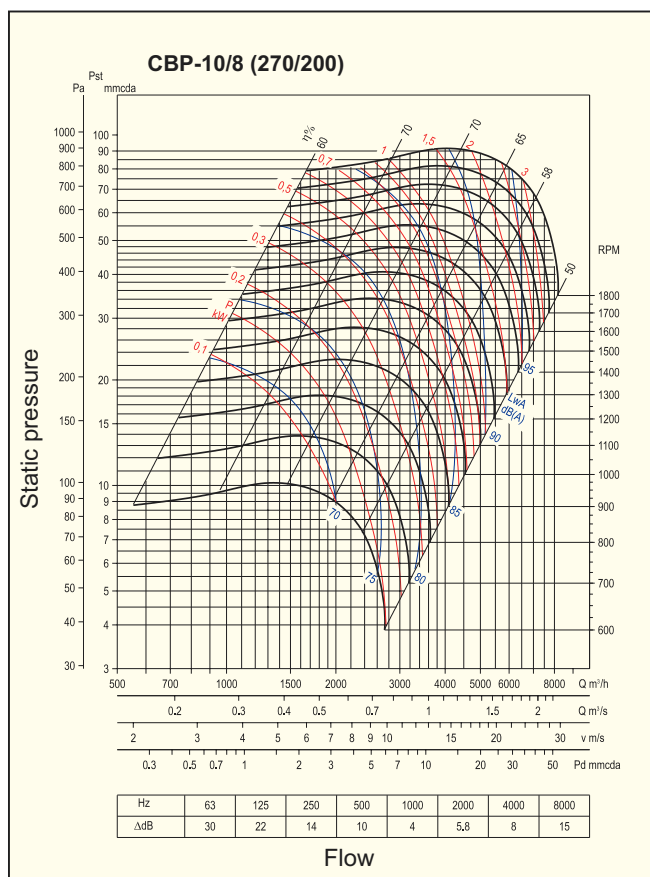


Mounting base

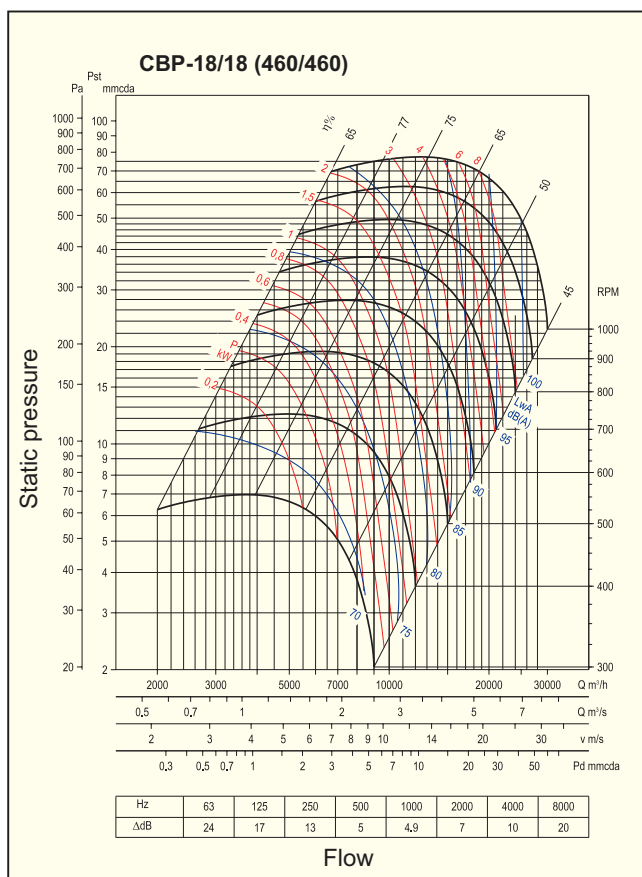
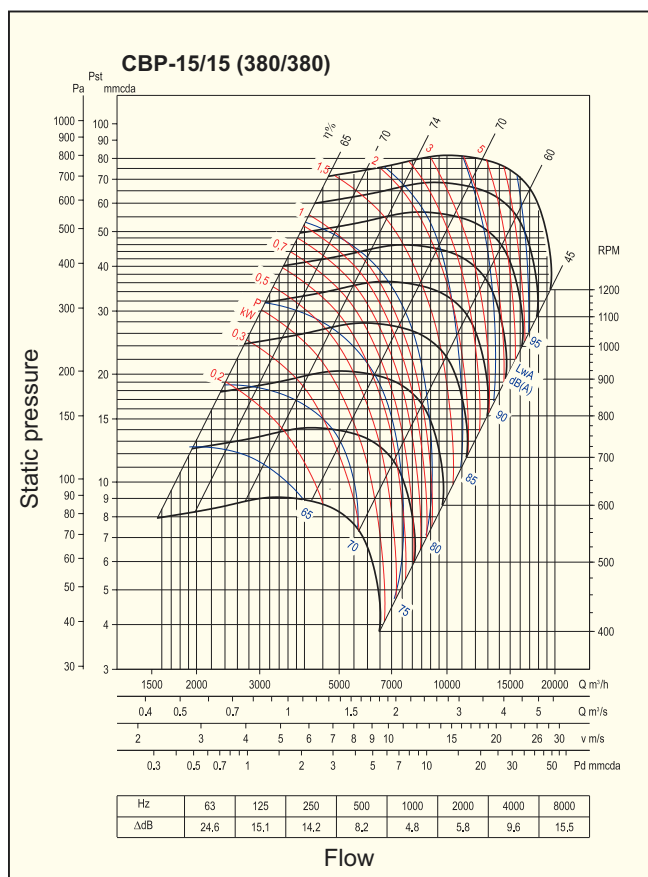
Performance curves



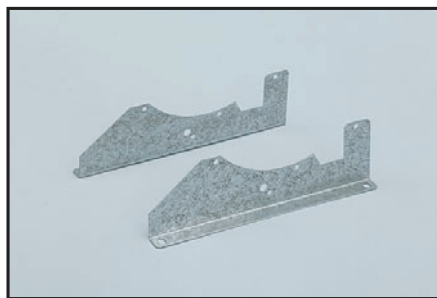






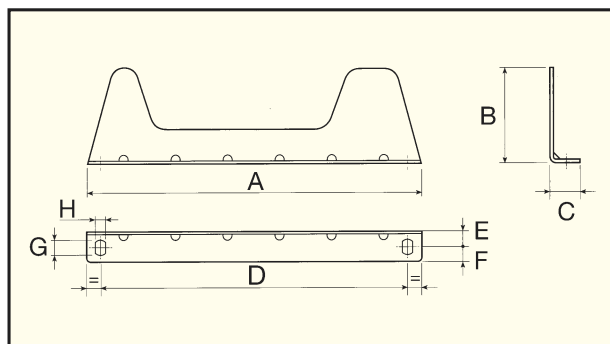


## Mounting base



Type	Size
CBP-7/7 (180/180)	180
CBP-9/7 (240/180)	240
CBP-9/9 (240/240)	240
CBP-10/8 (270/200)	270
CBP-10/10 (270/270)	270

Type	Size
CBP-12/9 (320/240)	320
CBP-12/12 (320/320)	320
CBP-15/15 (380/380)	380
CBP-18/18 (460/460)	460



Type	A	B	C	D	E	F	G	H
CBP-7/..(180/..)	254	47	26	227	13,5	12,5	16	10,5
CBP-9/..(240/..)	325	102	26	297	13,5	12,5	16	10,5
CBP-10/..(270/..)	363	102	26	339	13,5	12,5	16	10,5
CBP-12/..(320/..)	434	144	26	407	13,5	12,5	16	10,5
CBP-15/..(380/..)	521	164	26	494	13,5	12,5	16	10,5
CBP-18/..(460/..)	635	186	26	608	13,5	12,5	16	10,5



### Construction

Single inlet direct driven centrifugal fan with spiral formed casing of stainless acid proof steel. Impeller with forward curved blades of stainless acid proof steel. Temperature barrier allows max. temperature of 180°C.

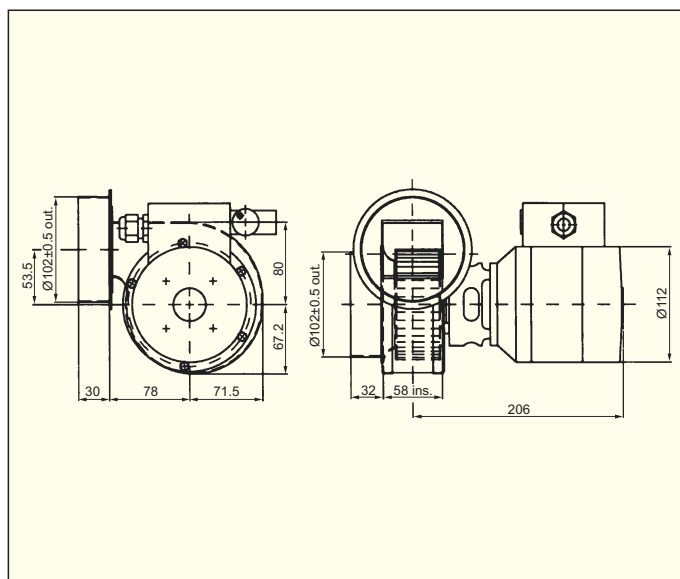
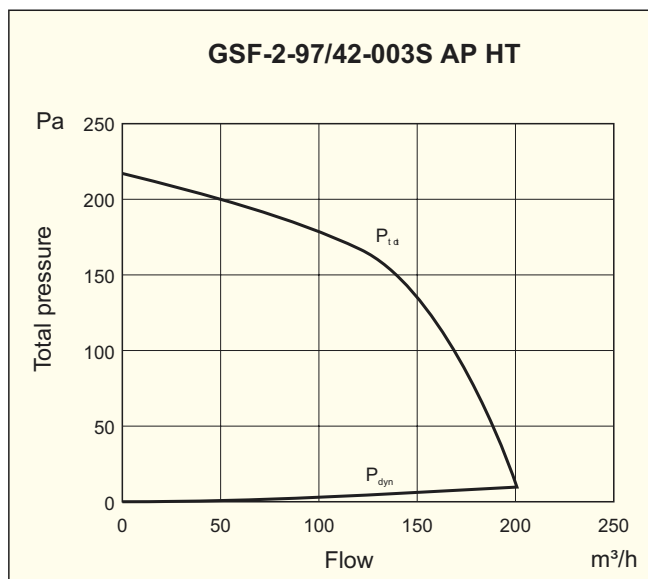
### Motor

220-240/380-420V, 50Hz (380-420/660-690V over 3kW) three-phase asynchronous motor or 220-240V, 50Hz single-phase asynchronous motor with capacitor, in accordance with IEC72 and IEC43-1. Insulation class F, enclosure IP55. Special voltage or frequency, improved enclosure IP65 and explosion proof motor may be supplied on request.

Wiring diagram, see page 235.

### Data

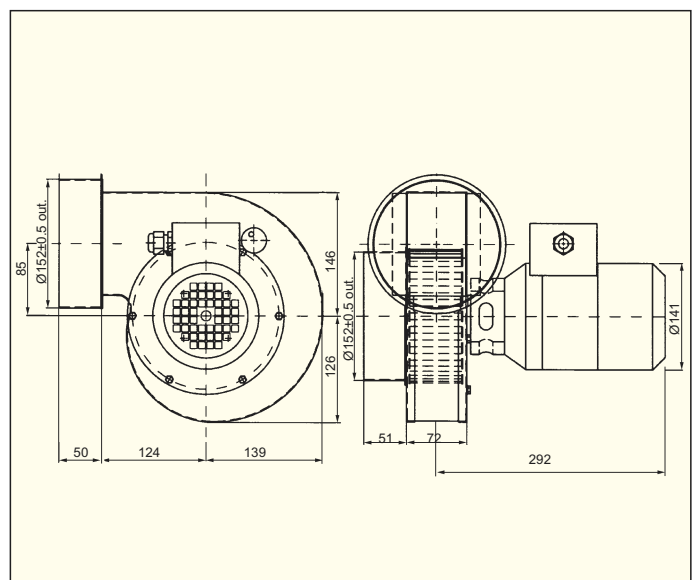
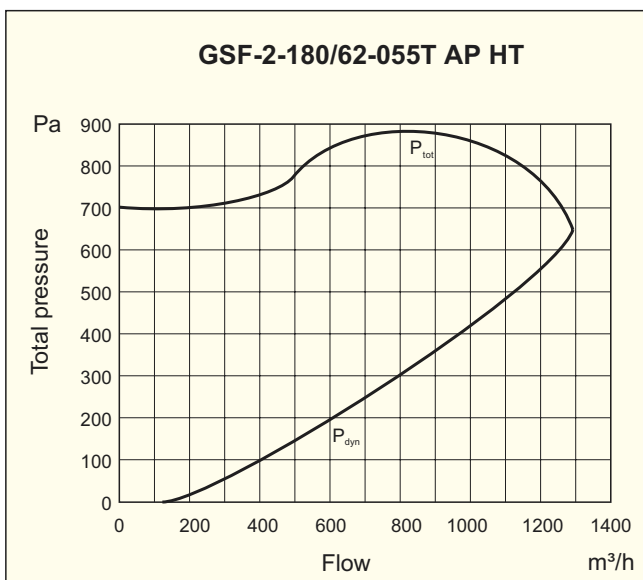
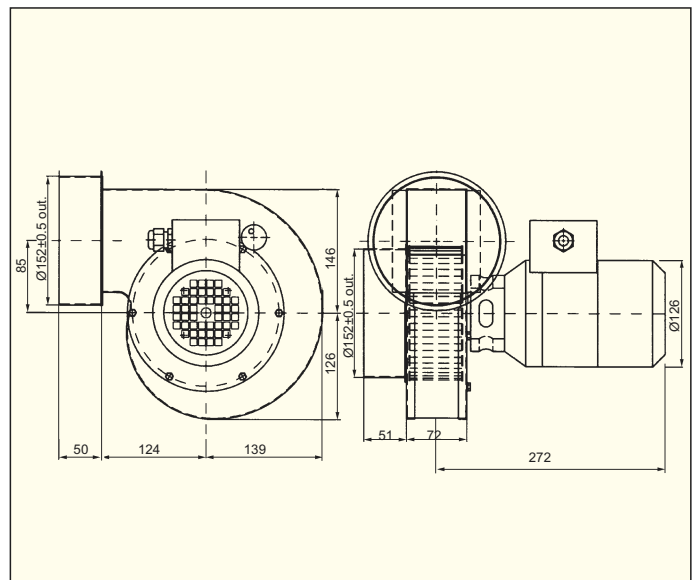
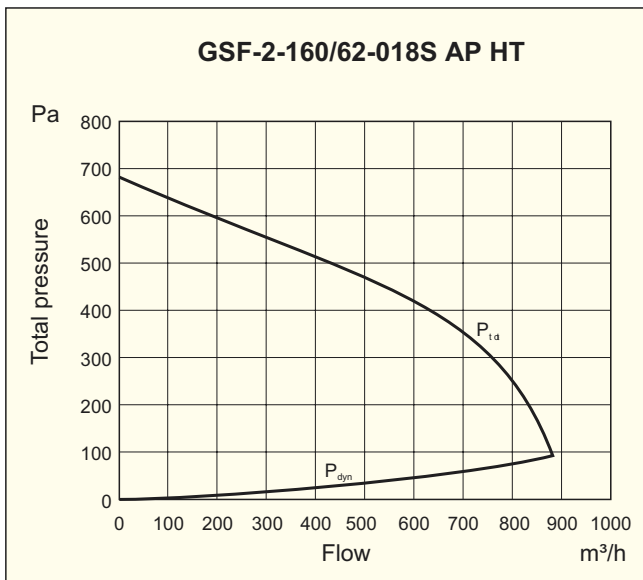
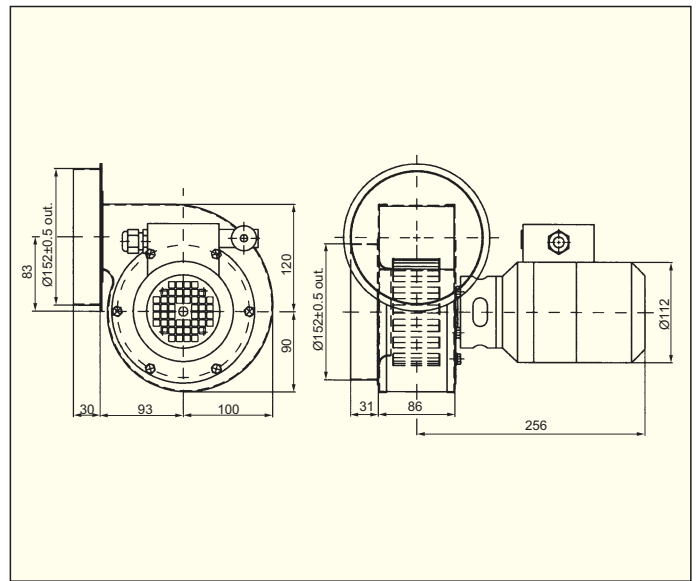
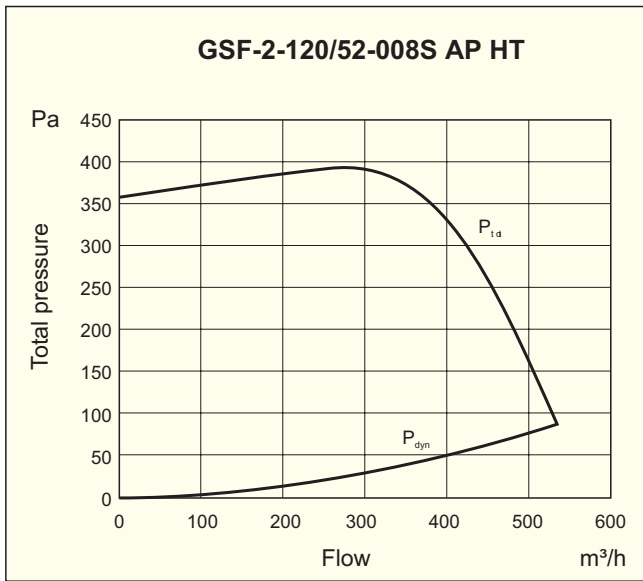
Type	Motor power kW	Voltage V	Maximum current A	Maximum duty m <sup>3</sup> /h	Pressure (max) Pa	Weight kg	Article number
GSF-2- 97/42-003S AP HT	0,03	230	0,40	190	220	7	113 340 880
GSF-2-120/52-008S AP HT	0,08	230	0,75	530	360	8	113 340 920
GSF-2-160/62-018S AP HT	0,18	230	1,50	860	680	9	113 500 040
GSF-2-180/62-055T AP HT	0,55	400	1,35	1280	1050	9,8	113 500 050

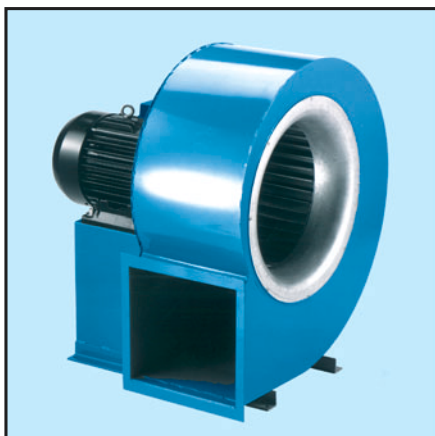


### Accessories



Mounting base





### Construction

Single inlet direct driven centrifugal fan with spiral formed casing of steel sheet, powder coated RAL5010.

Impeller with forward curved blades (type F) in galvanized steel sheet. V-belt driven fans can be supplied on request.

### Motor

220-240/380-420V, 50Hz (380-420/660-690V over 3kW) three-phase or 220-240V, 50Hz single-phase asynchronous motor with capacitor. Enclosure IP55, insulation class F. Special voltage or frequency, insulation class, enclosure IP65, 2-speed motors and explosion proof motors may be supplied on request.

Wiring diagram, see page 235.

### Accessories

Wire guards, inlet and outlet fittings.

### Data

Type	Motor power	Voltage	Maximum current	Maximum duty	Pressure (max)	Sound level*	Weight	Article number
	kW	V	A	m <sup>3</sup> /h	Pa	dB(A)	kg	
GSF-2-133/62-009T	0,09	230/400	0,53/0,30	490	470	71	4	113 340 950
GSF-2-140/62-025T	0,25	230/400	1,27/0,65	690	530	72	6	113 350 001
GSF-2-140/62-025S	0,25	230	2,20	690	530	72	7	113 350 051
GSF-2-146/62-037T	0,37	230/400	1,80/1,05	730	580	74	7	113 350 151
GSF-2-146/62-037S	0,37	230	2,9	730	580	74	8	113 350 171
GSF-2-160/75-055T	0,55	230/400	2,35/1,35	1250	710	76	8	113 350 201
GSF-2-160/75-055S	0,55	230	4,0	1250	710	76	10	113 350 251
GSF-2-180/85-075T	0,75	230/400	3,10/1,70	1050	870	78	8	113 350 301
GSF-2-180/85-075S	0,75	230	4,9	1050	870	78	10	113 350 311
GSF-2-180/85-110T	1,10	230/400	4,45/2,45	1400	870	78	9	113 350 351
GSF-2-180/85-110S	1,10	230	7,1	1400	870	78	11	113 350 361
GSF-6-450/203-400T	4,00	400/690	9,00/5,20	9500	750	80	105	113 351 551
GSF-6-450/203-550T	5,50	400/690	12,0/6,95	11700	750	80	115	113 351 552

\* - in the middle of the performance curve.

### Accessories

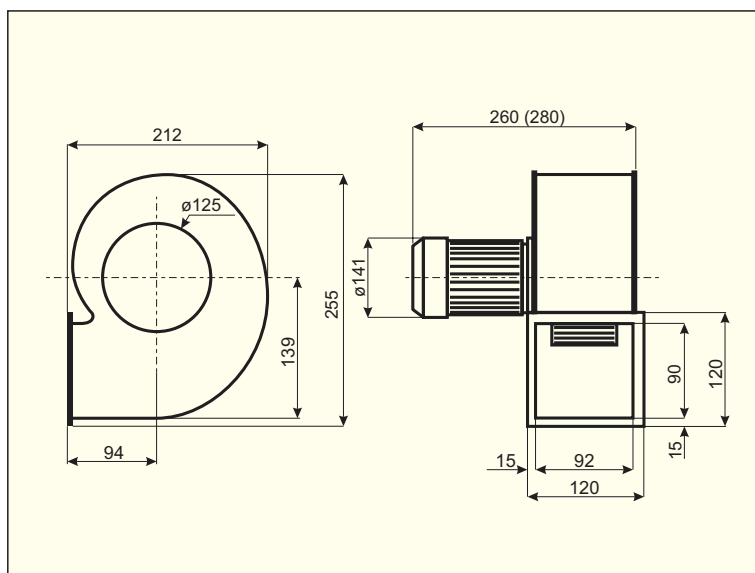
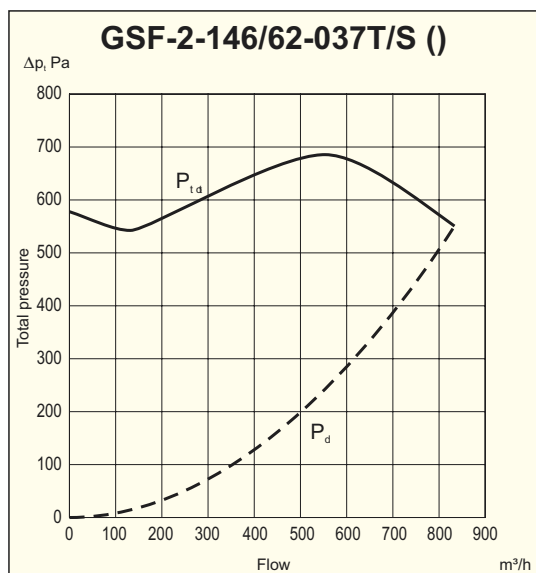
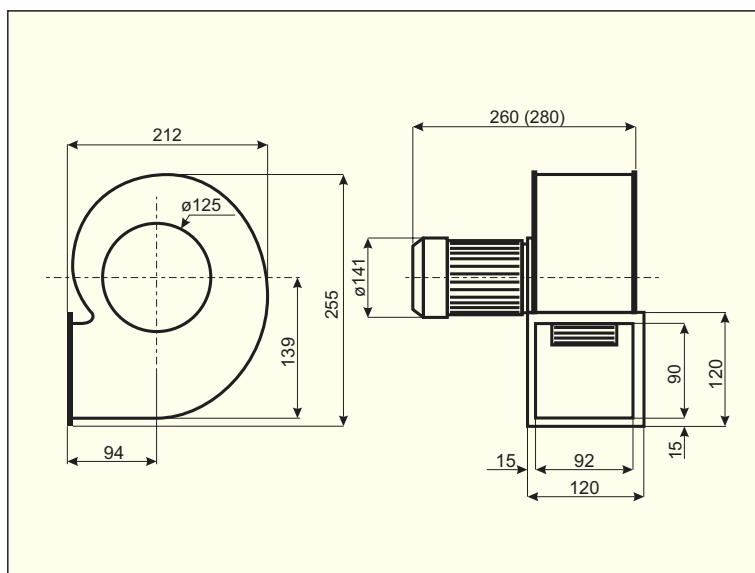
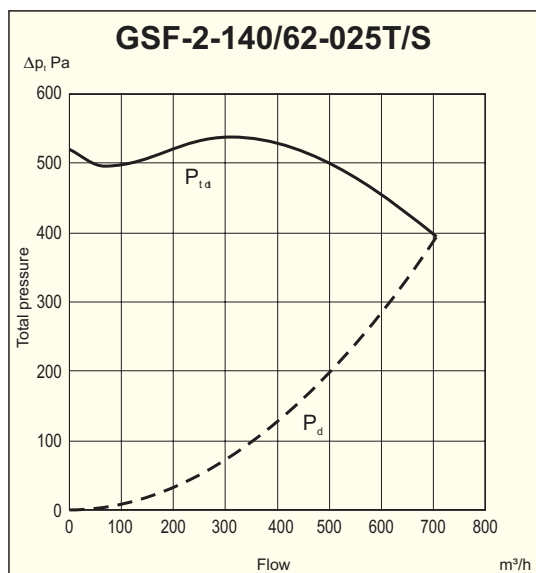
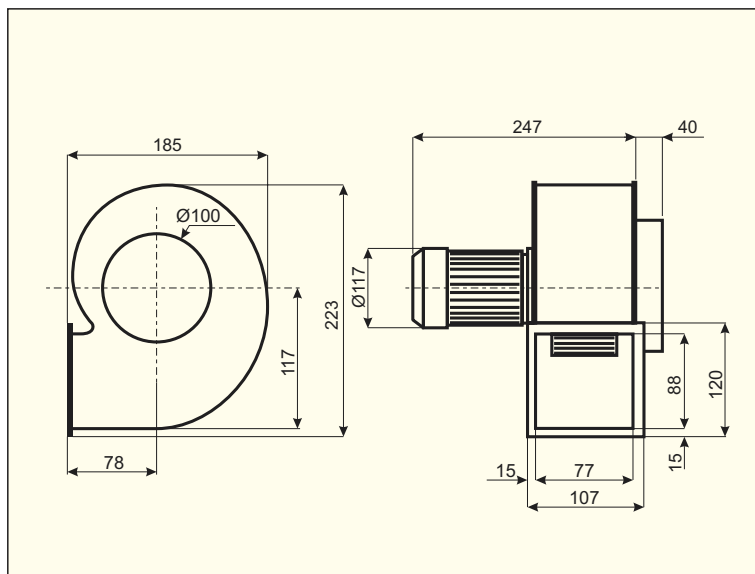
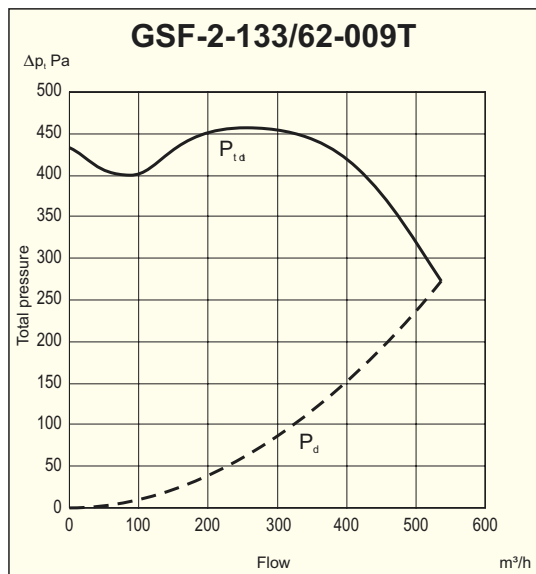


Protection guard outlet

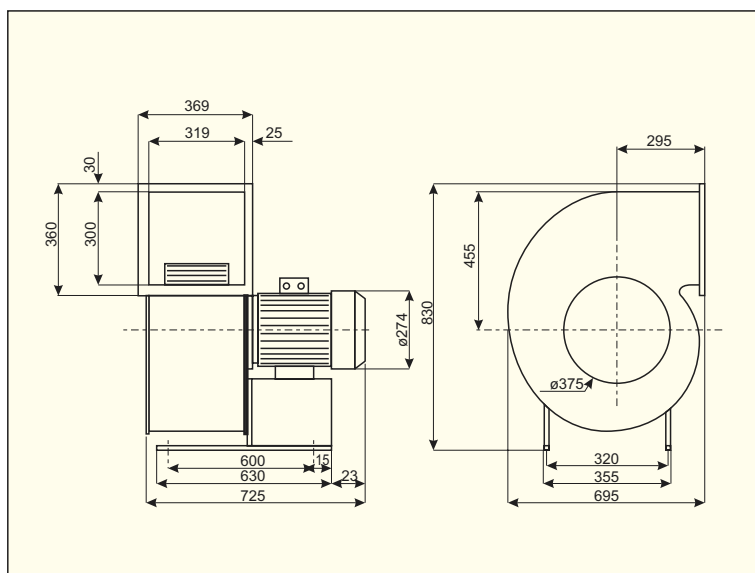
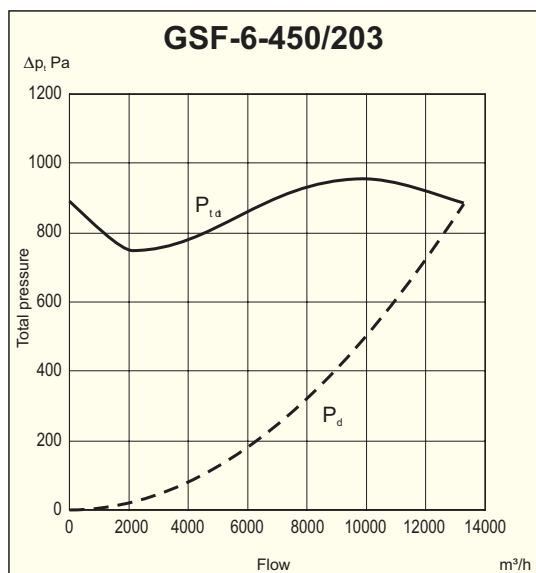
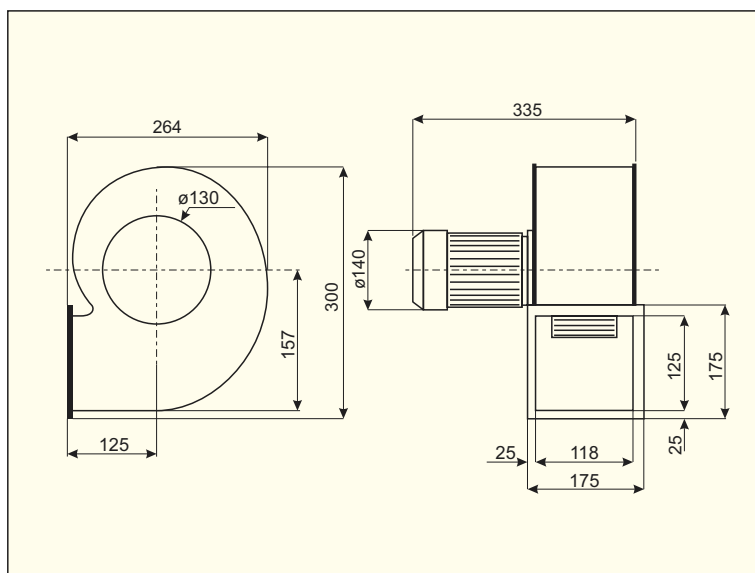
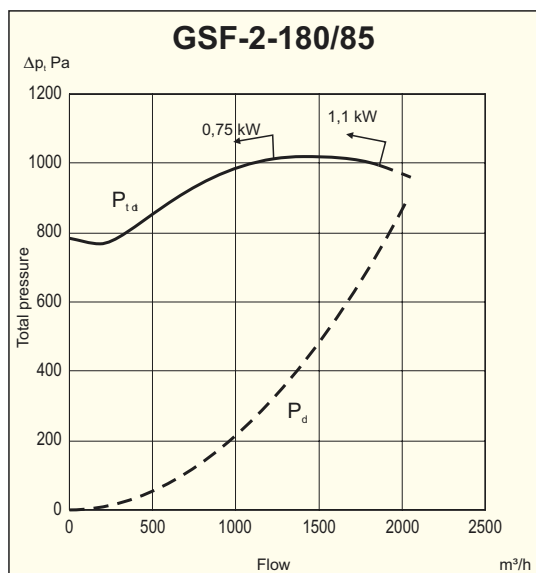
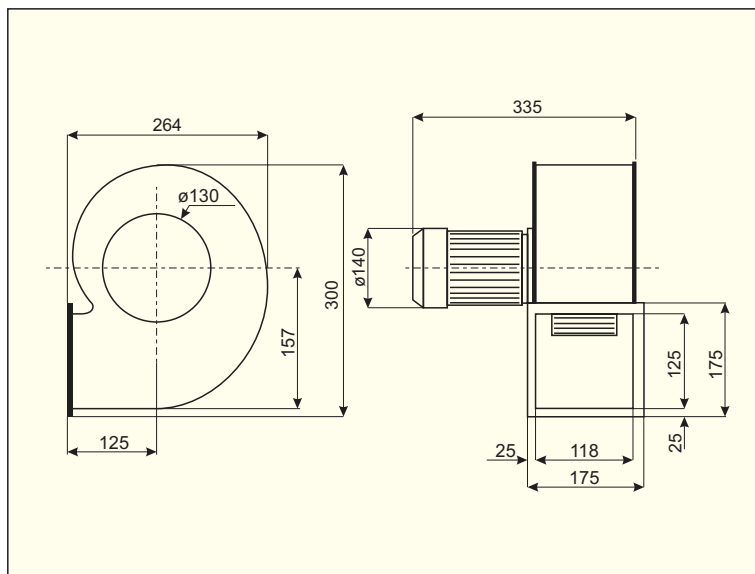
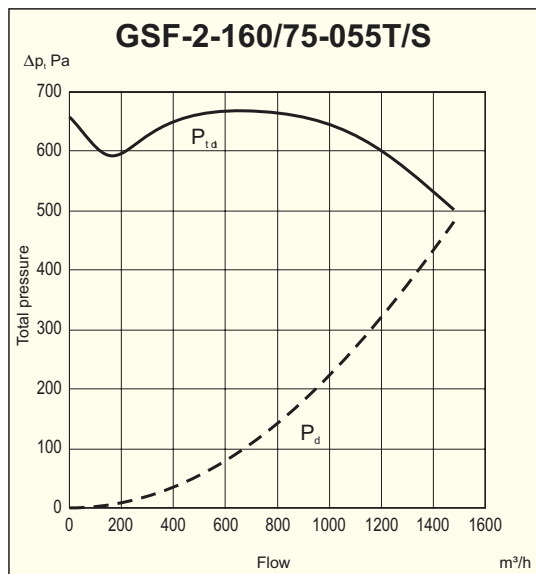


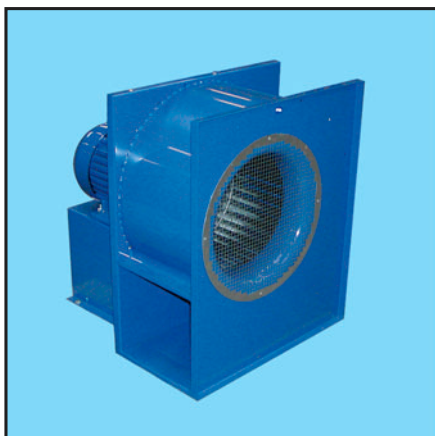
Connector outlet

Performance curves



**Performance curves**





## Construction

Single inlet direct driven centrifugal fan with rectangular formed casing of steel sheet, powder coated RAL5010.

Impeller with forward curved blades (type F) in galvanized steel sheet. V-belt driven fans can be supplied on request.

## Motor

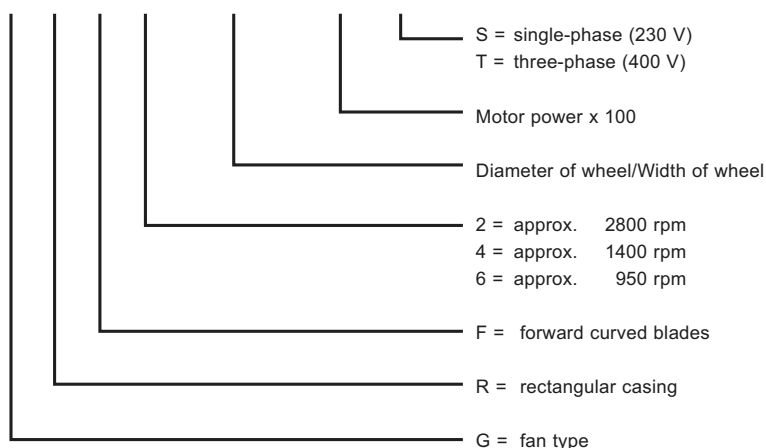
220-240/380-420V, 50Hz (380-420/660-690V above 3kW) three-phase asynchronous motor. Enclosure IP55, insulation class F. Special voltage or frequency, insulation class, enclosure IP65, 2-speed motors and explosion proof motors can be supplied on request.

Wiring diagram, see page 235.



## Model numbering system

**G R F - 2 - 200/74 - 150 T**



## Data

Type	Motor power kW	Speed rpm	Maximum current A	Voltage V	Maximum duty m³/h	Sound pressure level dB (A)	Weight kg	Article number
GRF-2-200/ 74-110T	1,10	2800	4,3/2,5	230/400 Y	2000	73	13	113 350 451
GRF-2-200/ 74-150T	1,50	2800	3,40	400 Y	3150	89	15	113 350 460
GRF-2-224/104-220T	2,20	2800	8,0/4,6	230/400	2600	76	23	113 350 501
GRF-2-224/104-300T	3,00	2800	6,50	400 Y	3800	92	25	113 350 511
GRF-2-280/103-550T	5,50	2800	10,0/6,50	400/690	4400	86	65	113 350 651
GRF-2-280/103-750T	7,50	2800	14,00	400 Δ	6200	99	70	113 350 671
GRF-4-280/103-075T	0,75	1400	3,3/1,90	230/400 Y	2600	79	19	113 351 001
GRF-4-280/103-075S	0,75	1400	5,10	230	2600	70	21	113 351 051
GRF-4-280/103-110T	1,10	1400	4,6/2,7	230/400 Y	2900	71	22	113 351 061
GRF-4-315/143-220T	2,20	1400	9,0/4,80	230/400 Y	5400	72	36	113 351 101
GRF-4-400/183-550T	5,50	1400	11,3/6,5	400/690	9300	92	88	113 351 161
GRF-4-400/183-750T	7,50	1400	14,40	400 Δ	12000	98	88	113 351 171

## Accessories



Protection guard outlet

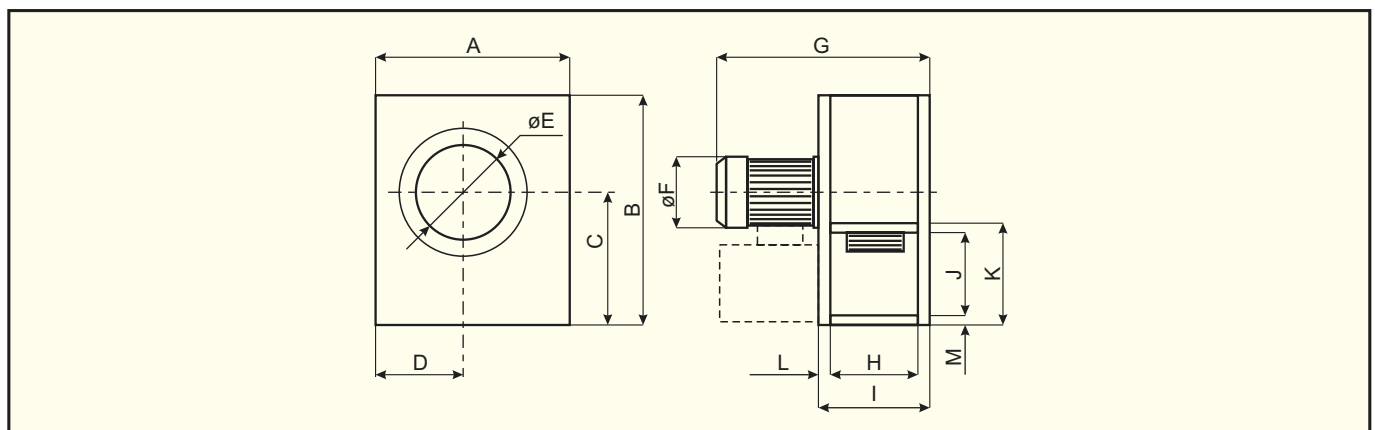


Connector outlet

Dimensions in mm

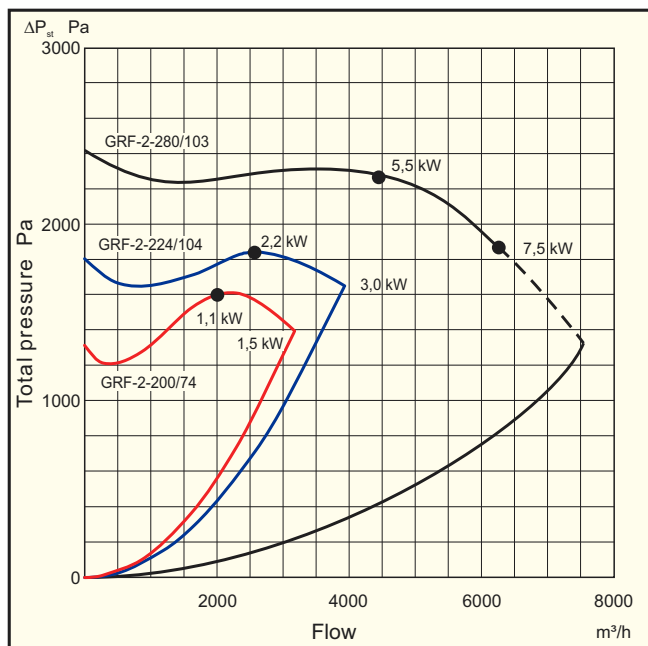
Type	A	B	C	D	E	F	G	H	I	J	K	L	M
GRF-2-200/ 74-150T	335	394	227	141	167	157	383	128	178	138	168	25	15
GRF-2-224/ 104-300T	335	394	227	141	187	178	451	148	198	138	168	25	15
GRF-2-280/103-750T *	410	470	262	180	236	226	570	182	232	160	190	25	15
GRF-4-280/103-075T	410	470	262	180	236	157	437	182	232	160	190	25	15
GRF-4-280/103-075S	410	470	262	180	236	157	437	182	232	160	190	25	15
GRF-4-315/143-220T	500	596	354	211	265	198	575	228	278	246	276	25	15
GRF-4-400/183-750T *	649	764	440	270	334	226	659	289	339	276	306	25	15

Fan with motor stand

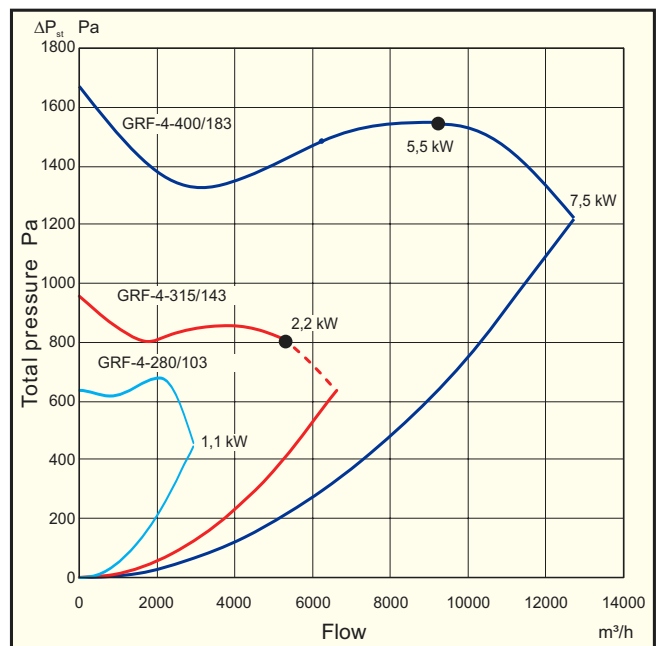


Performance curves

GRF-2



GRF-4







### Construction

Single inlet direct driven centrifugal fan with spiral formed casing in cast aluminium. Impellers with forward curved blades type F in galvanized steel sheet. GSFG is as standard delivered with LG design and wire guard on inlet.

### Motor

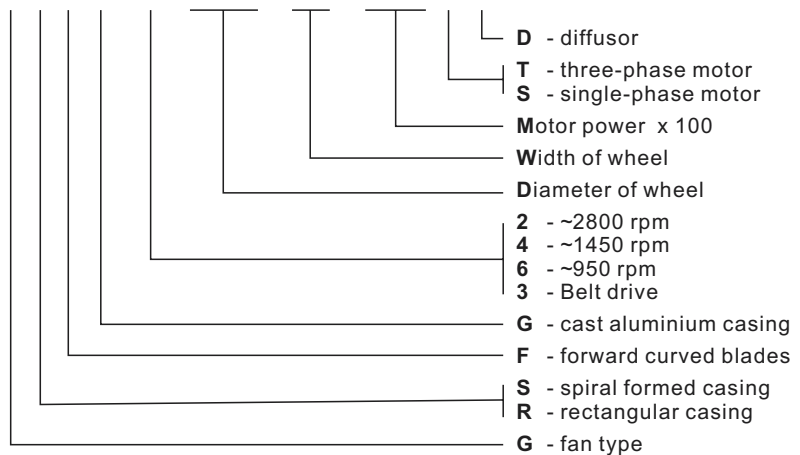
220-240/380-420V, 50Hz (380-420/660-690V above 3kW) three-phase or 220-240V, 50Hz single-phase asynchronous motor with squirrel cage rotor. Enclosure IP55, insulation class F. Special voltage or frequency, insulation class, improved enclosure IP65, 2-speed motors and explosion proof motor can be supplied on request.

Wiring diagram, see page 235.



### Model numbering system

GSFG - 2 - 108 / 42 - 030 T □

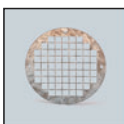


### Data

Type	Motor power kW	Voltage V	Maximum current A	Maximum duty m³/h	Pressure (max) Pa	Sound level* dB(A)	Weight kg	Article number
GSFG-2-108/42-005T	0,05	230/400	0,37/0,25	190	330	59	3,5	113 500 120
GSFG-2-108/42-003S	0,03	230	0,40	190	330	59	3,9	113 500 125
GSFG-2-133/62-018T	0,18	230/400	1,07/0,55	600	430	69	6,2	113 500 155
GSFG-2-133/62-018S	0,18	230	1,65	600	430	69	6,6	113 500 157
GSFG-2-146/62-025T	0,25	230/400	1,27/0,8	770	630	70	6,5	113 500 160
GSFG-2-146/62-025S	0,25	230	1,93	770	630	70	6,5	113 500 170
GSFG-2-160/75-037T	0,37	230/400	1,76/1,02	1100	750	71	7,5	113 500 181
GSFG-2-160/75-037S	0,37	230	2,90	1110	750	71	9,0	113 500 191
GSFG-2-180/62-055T	0,55	230/400	2,35/1,35	1280	1050	77	8,0	113 500 201
GSFG-2-180/62-055S	0,55	230	4,00	1280	1050	77	10,0	113 500 211
GSFG-2-200/104-220T	2,20	230/240	8,0/4,6	3100	1370	82	28,0	113 500 230
GSFG-2-225/104-220T	2,20	230/400	8,0/4,6	2800	1800	86	29,0	113 500 500
GSFG-2-225/104-300T	3,00	230/400	11,4/6,5	3600	1800	88	31,0	113 500 510
GSFG-2-250/114-550T	5,50	400	11,60	5800	1950	82	58,0	113 500 600

\* - in the middle of the performance curve.

### Accessories



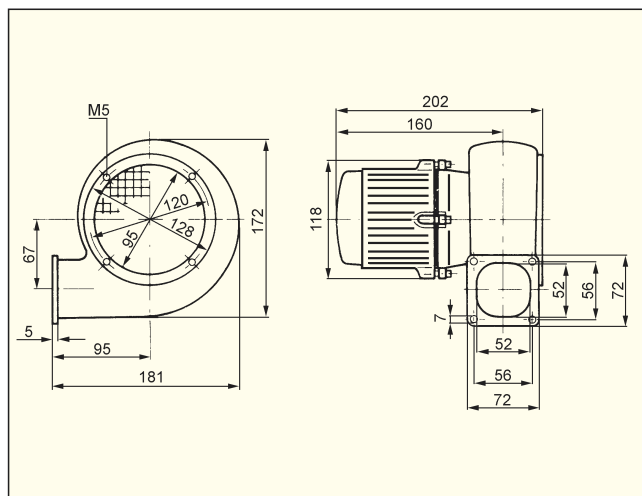
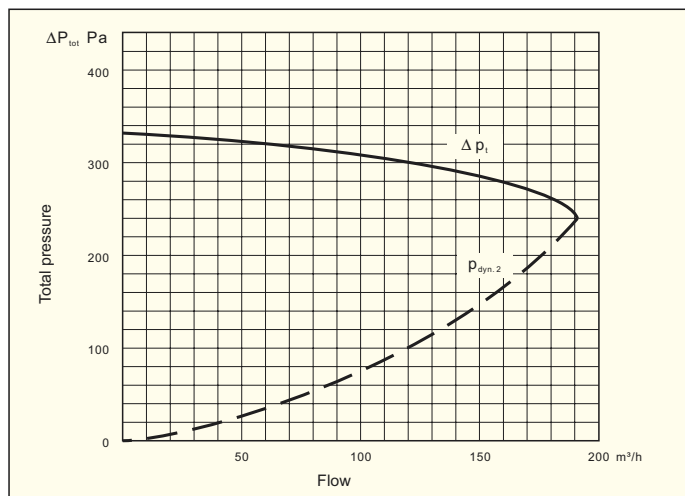
Protection guard inlet



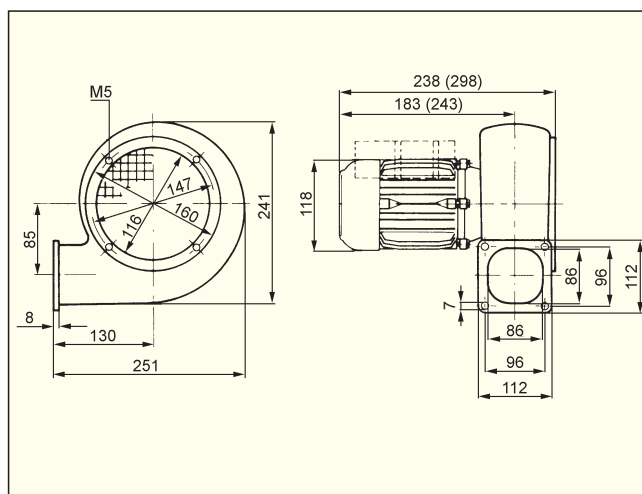
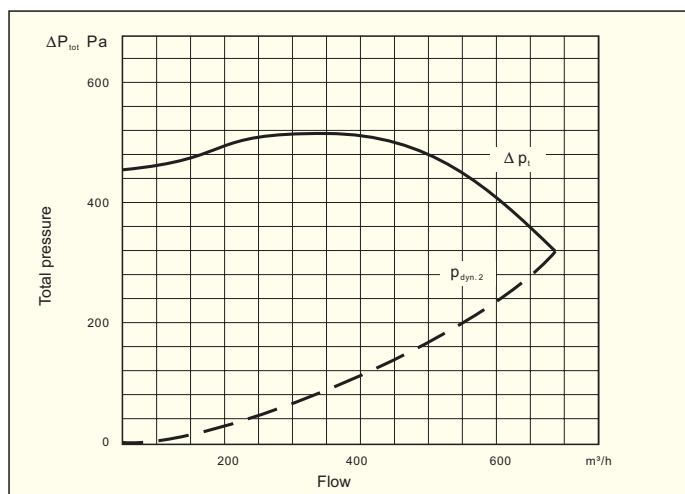
Connector outlet

Performance curves

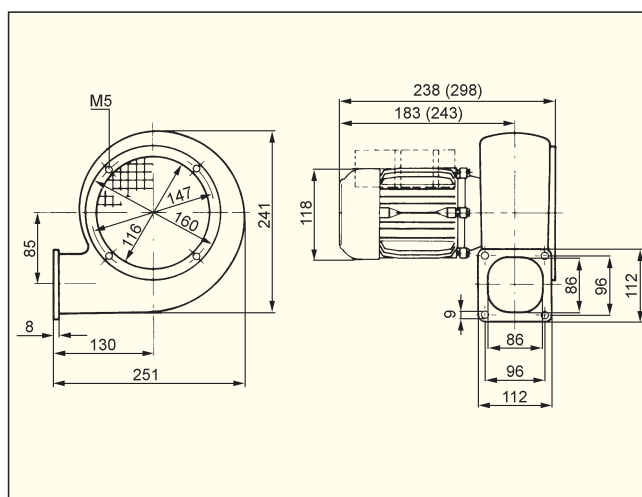
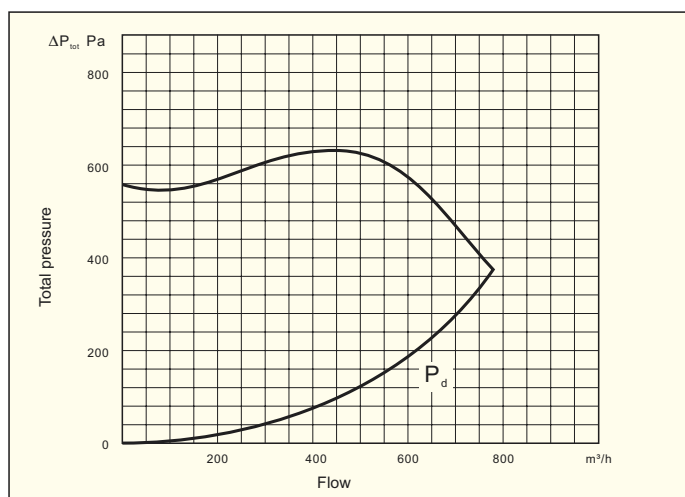
GSFG-2-108/42



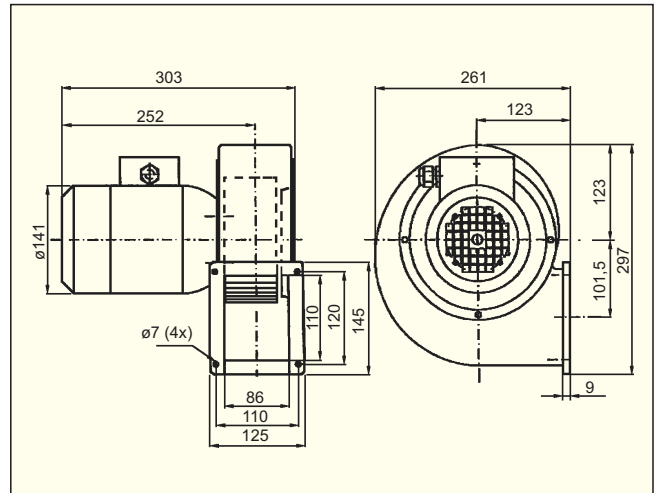
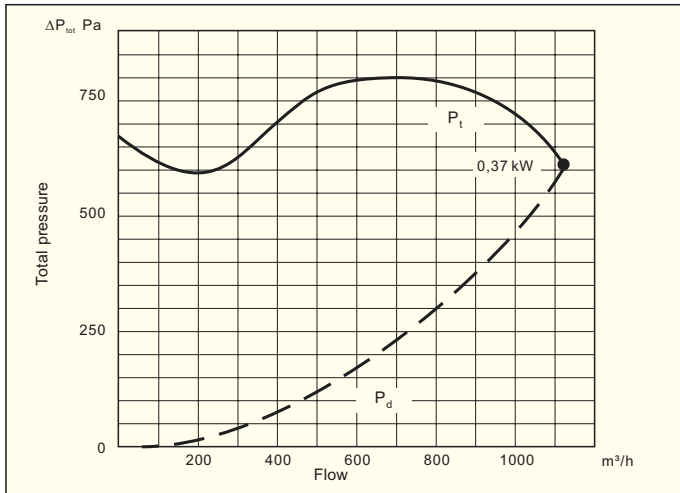
GSFG-2-133/62



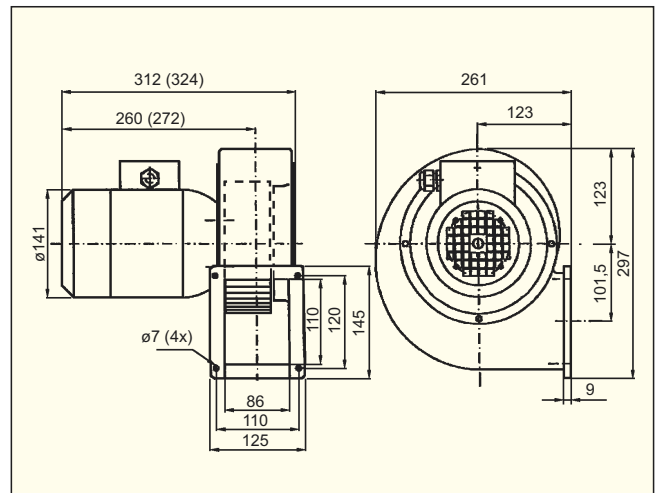
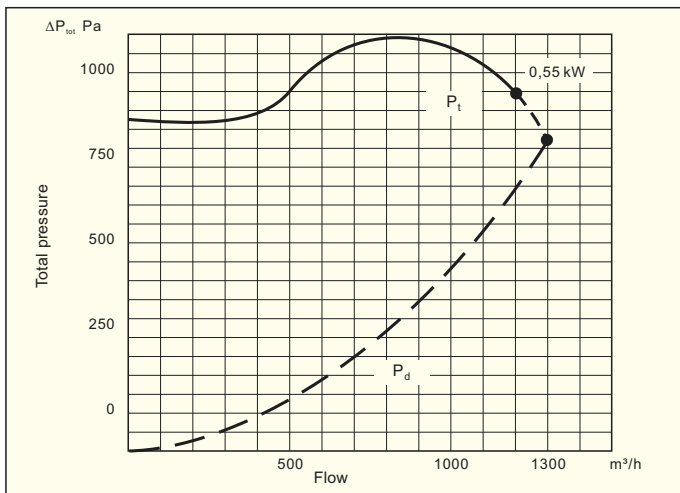
GSFG/2-146/62



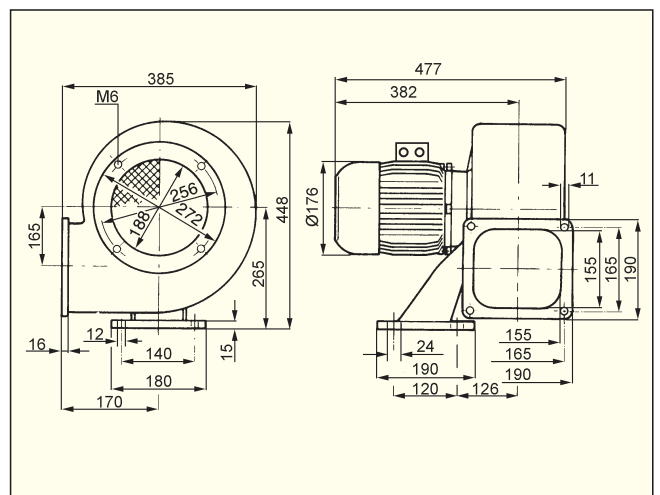
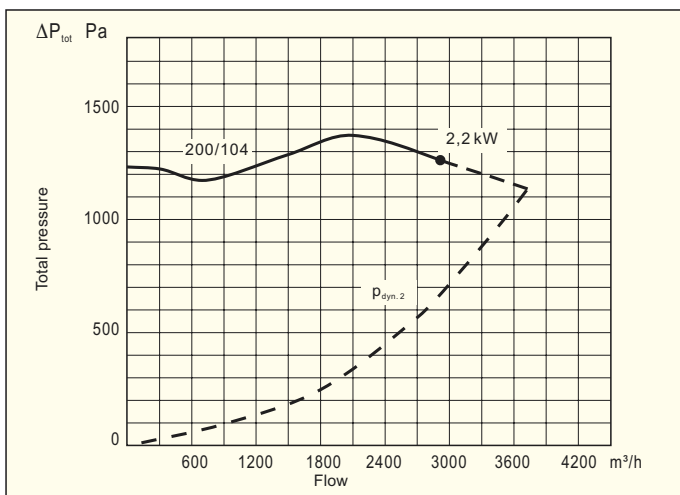
**GSFG-2-160/75**



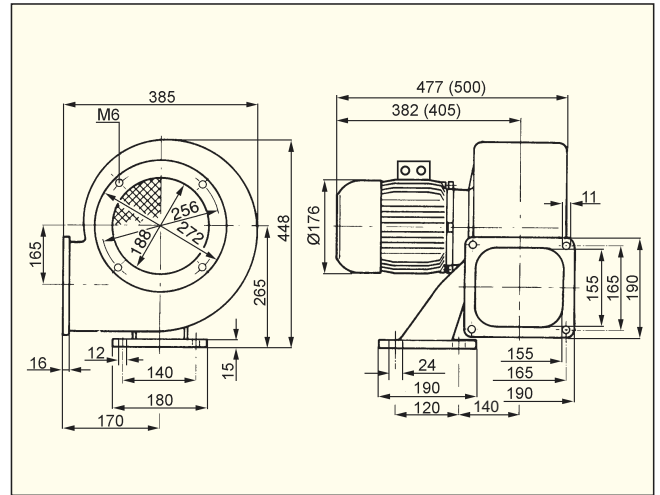
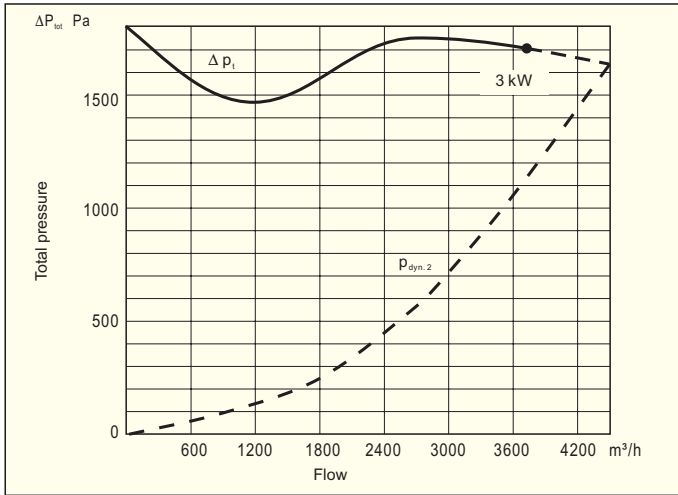
**GSFG-2-180/62**



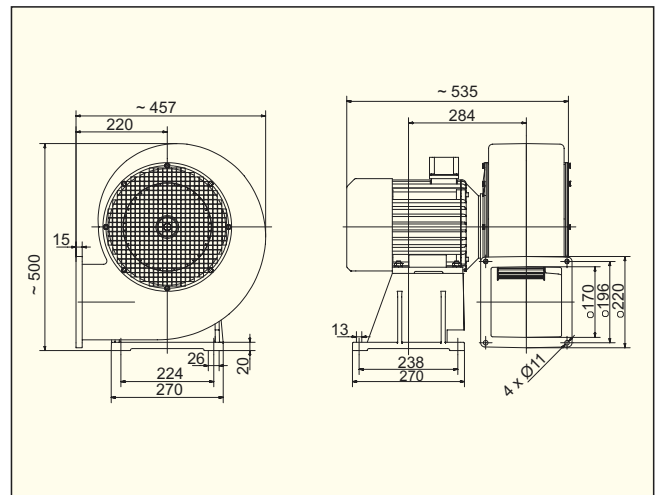
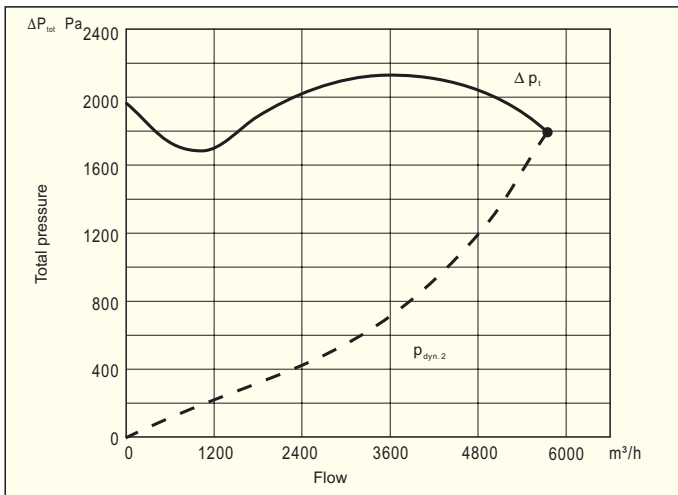
**GSFG-2-200/104**



**GSFG-2-225/104**



**GSFG-2-250/114**





## Construction

Single inlet, direct driven centrifugal fan with casing of cast aluminium. Impeller with backward curved blades type B in aluminium sheet.

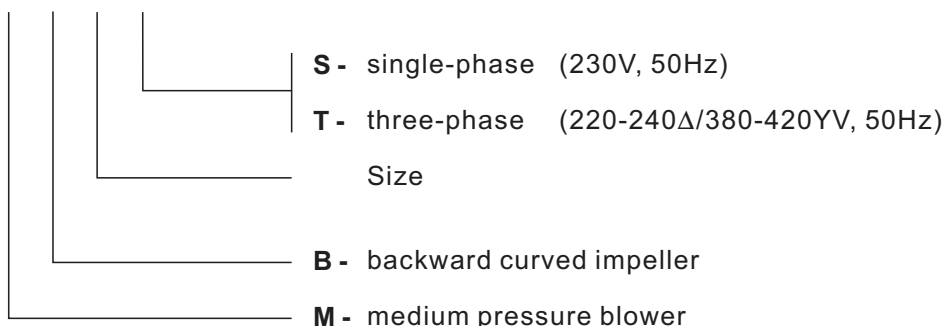
## Motor

220-240/380-420V, 50Hz (380-420/660-690V above 3kW) three-phase or 220-240V, 50Hz single-phase asynchronous motor with squirrel cage rotor. Insulation class F, enclosure IP55. Special voltage or frequency, improved enclosure IP65, 2-speed motors and explosion proof motor can be supplied on request. Wiring diagram, see page 235.



## Model numbering system

**MPB 30 S**

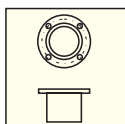


## Technical specification

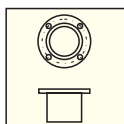
Type	Rated output kW	Speed rpm	Rated current A	Voltage V	Maximum duty m³/h	Pressure max Pa	Sound level* dB(A)	Weight kg	Article number
MPB 25 S	0,12	2800	1,05	230	420	1080	70	8,5	113 600 020
MPB 25 T	0,12	2800	0,35	400Y	420	1080	70	8,0	113 600 025
MPB 30 S	0,18	2760	1,50	230	700	1200	70	9,0	113 600 035
MPB 30 T	0,18	2800	0,55	400Y	700	1200	70	8,5	113 600 030
MPB 75 S	0,55	2820	3,80	230	940	2510	74	16,5	113 600 190
MPB 75 T	0,55	2800	1,40	400Y	940	2510	74	15,0	113 600 180
MPB 110 S	0,75	2820	4,90	230	1030	2320	78	20,0	113 600 230
MPB 110 T	0,75	2820	1,80	400Y	1030	2320	78	18,5	113 600 220
MPB 220 S	1,50	2860	9,50	230	2000	3150	79	22,5	113 600 285
MPB 220 T	1,50	2860	3,40	400Y	2000	3150	79	20,5	113 600 280
MPB 280 T	2,20	2860	4,60	400Y	2500	3500	84	42,0	113 600 320
MPB 300 S	1,50	2860	9,50	230	2050	3250	79	25,0	113 600 360
MPB 300 T	1,50	2860	3,40	400Y	2050	3250	79	23,0	113 600 350
MPB 400 T	3,00	2900	6,50	400Y	3830	3900	84	60,0	113 600 400
MPB 600 T	11,00	2900	20,20	400 Δ	5000	6000	90	83,0	113 600 600

\* - in the middle of the performance curve, 1m from the fan.

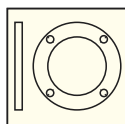
## Accessories



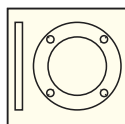
Connector suction side page 138



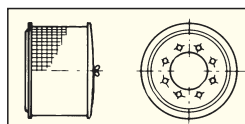
Connector pressure side page 138



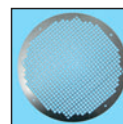
Welding flange suction side page 139



Welding flange pressure side page 139

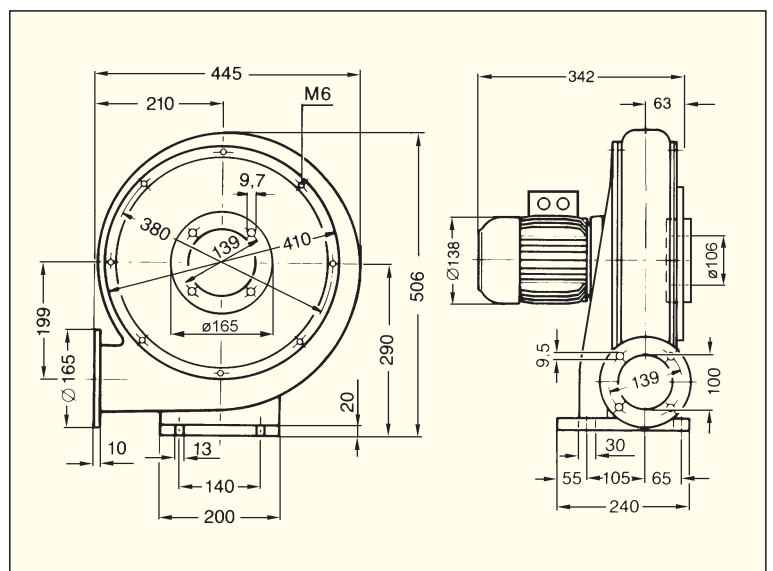
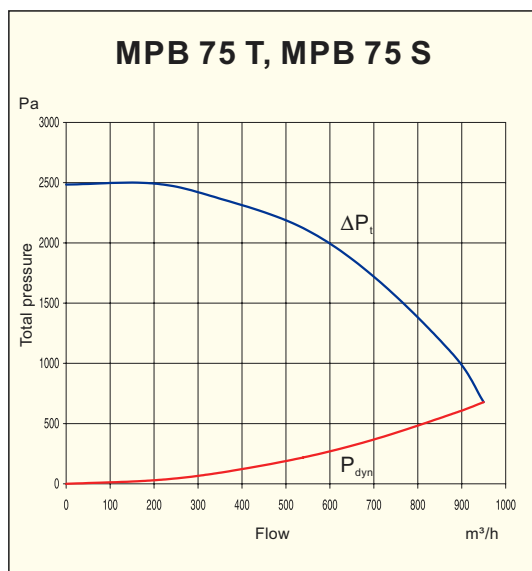
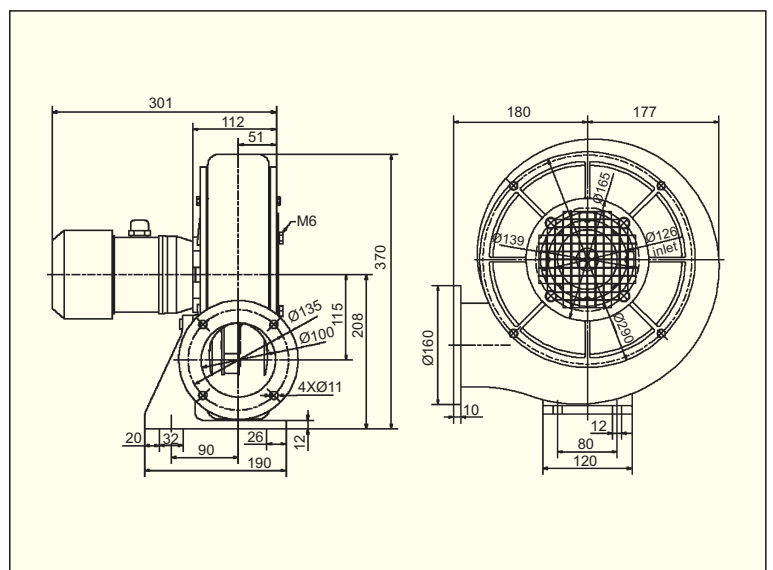
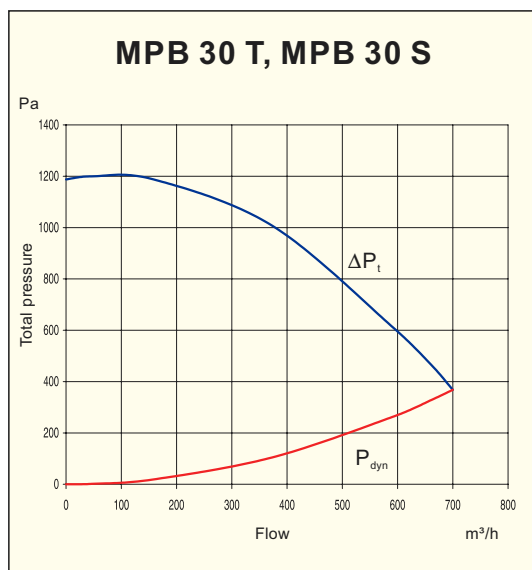
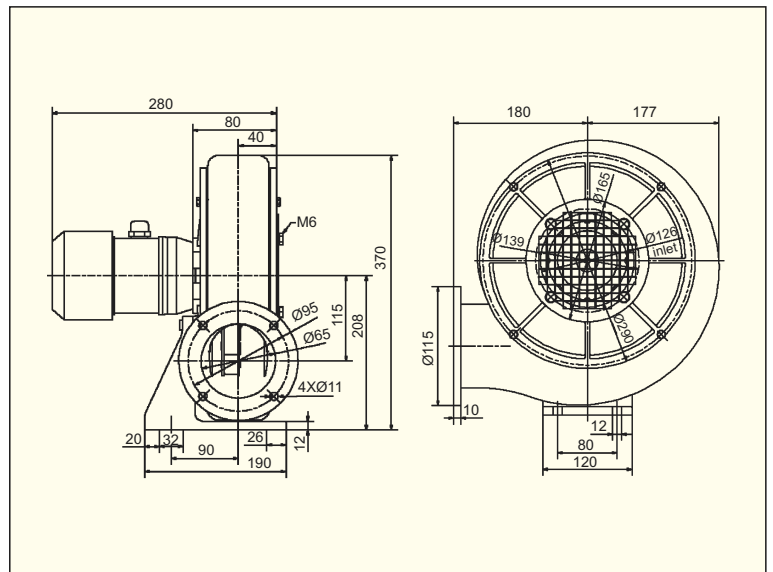
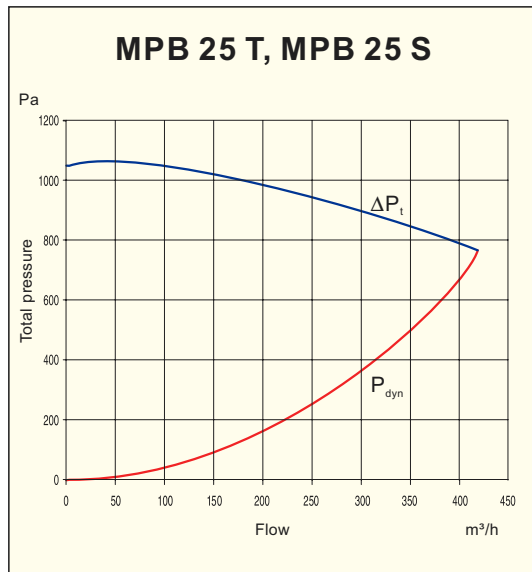


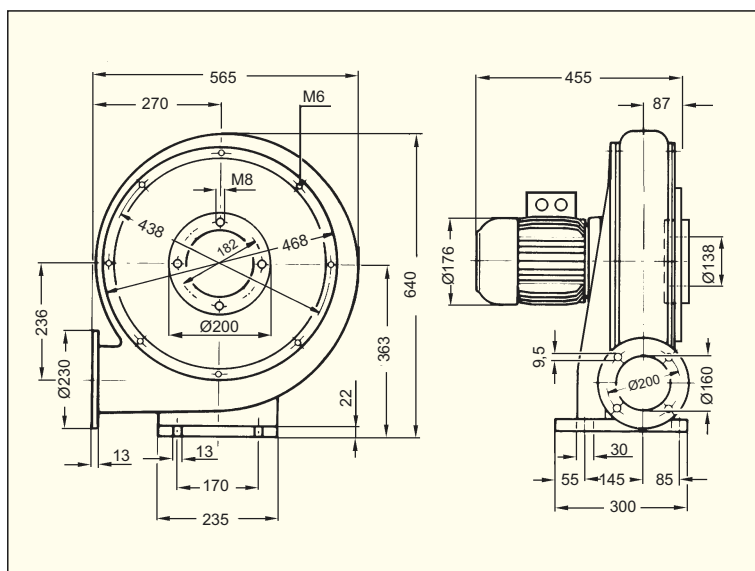
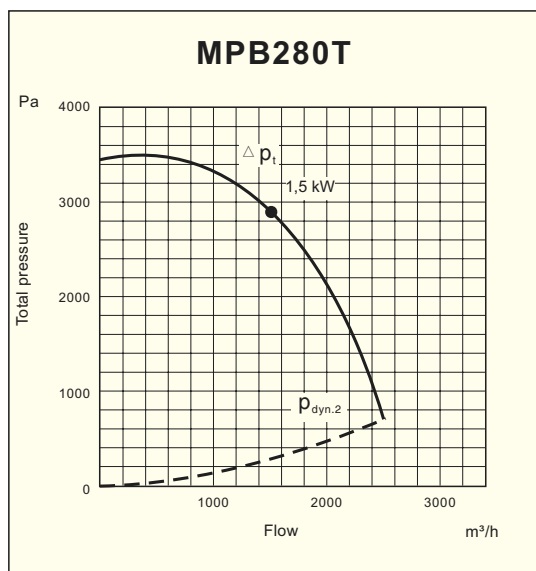
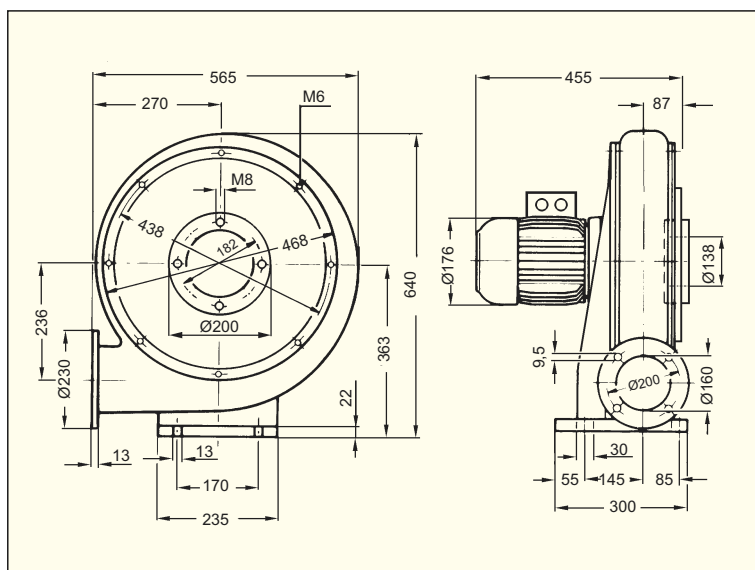
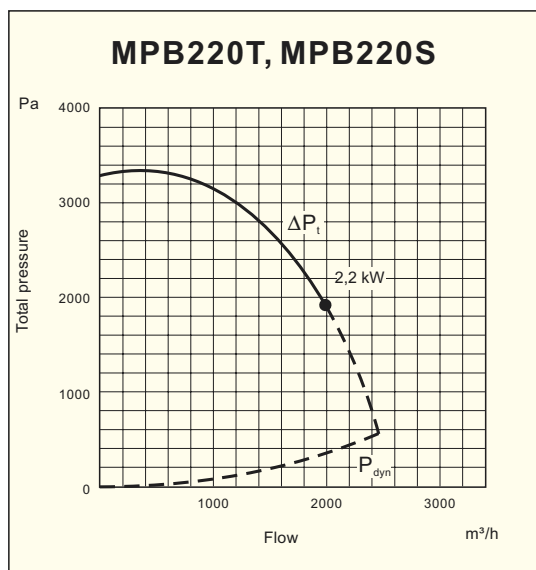
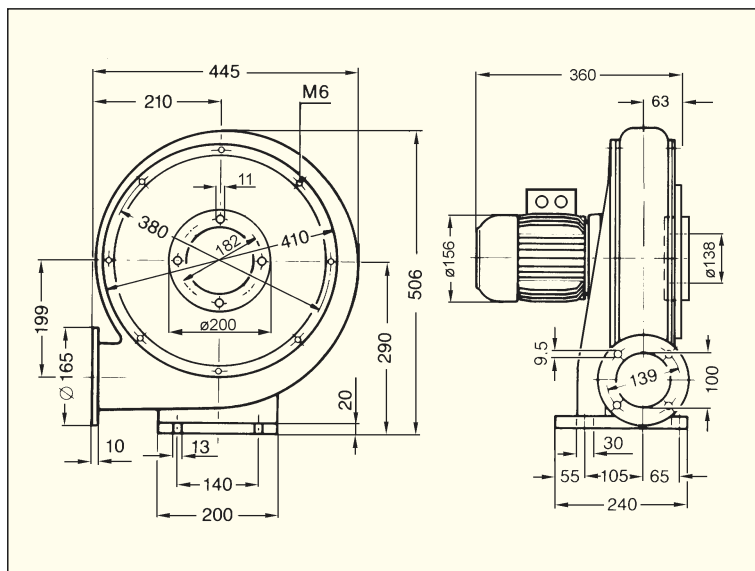
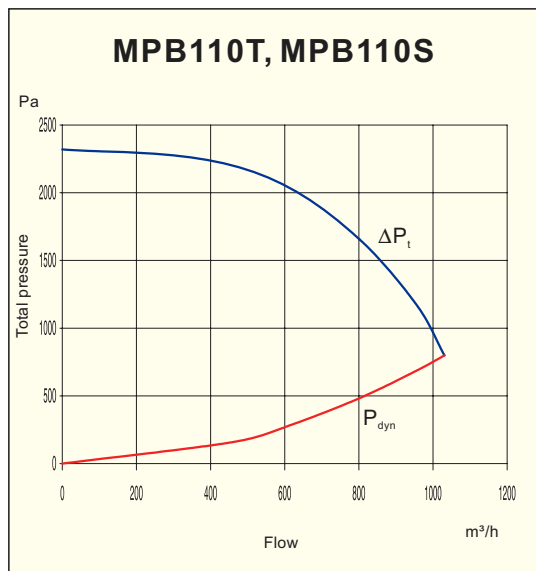
Filter suction side page 139

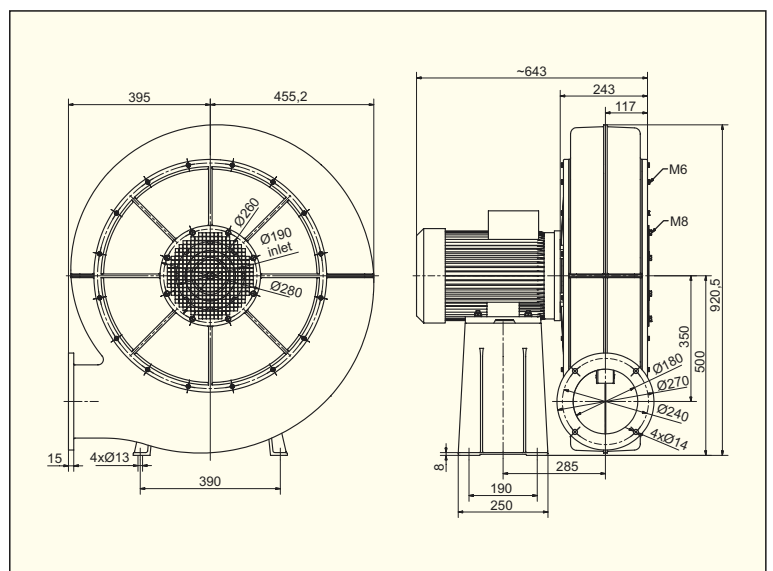
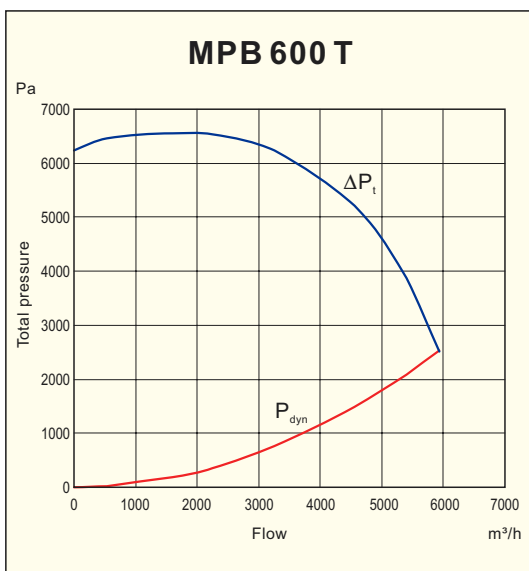
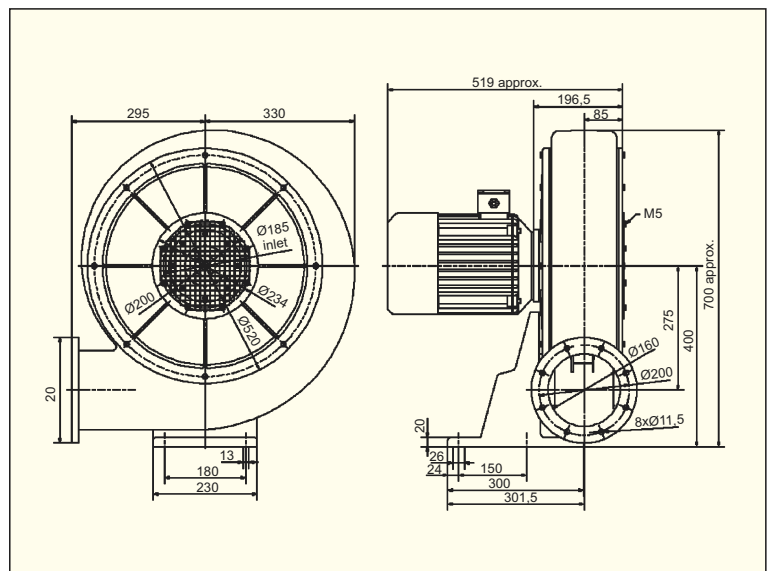
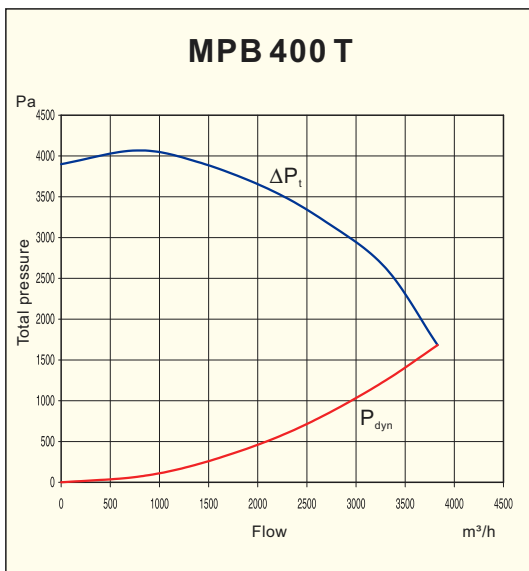
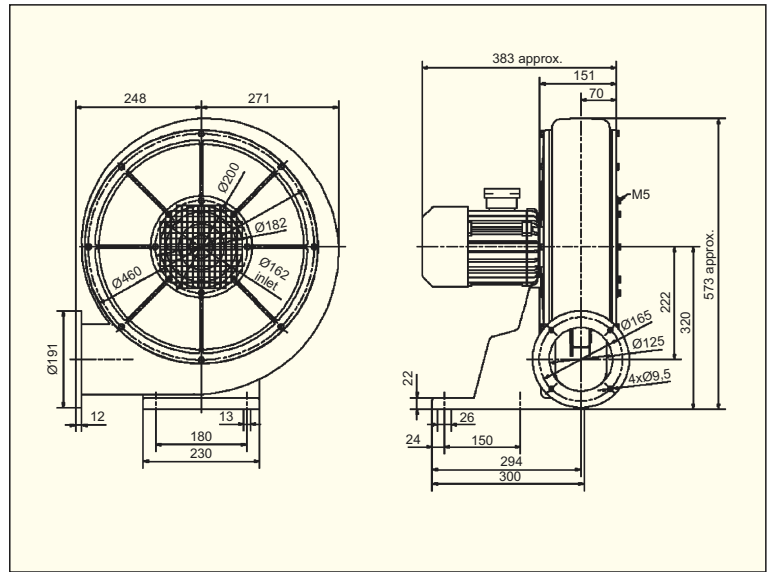
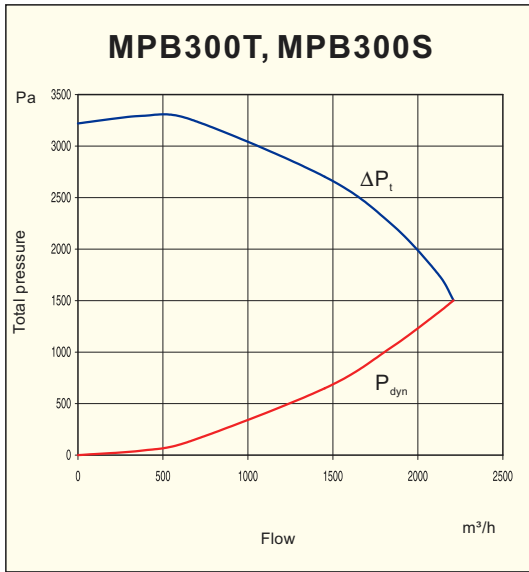


Protection net

## Performance curves











## Construction

Single inlet, direct driven centrifugal fan with casing of cast aluminium. Impeller with backward curved, self cleaning blades type R, in aluminium sheet.

## Motor

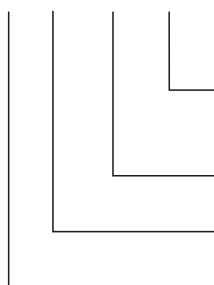
220-240/380-420V, 50Hz (380-420/660-690V above 3kW) three-phase or 220-240V, 50Hz single-phase asynchronous motor with squirrel cage rotor. Insulation class F, enclosure IP55. Special voltage or frequency, improved enclosure IP65, 2-speed motors and explosion proof motor can be supplied on request.

Wiring diagram, see page 235.



## Model numbering system

### MPR 300 S



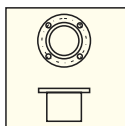
- single-phase (230V, 50Hz)
- three-phase (220-240Δ/380-420YV, 50Hz)
- size
- impeller type R
- medium pressure blower

## Data

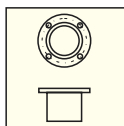
Type	Rated output kW	Speed rpm	Rated current A	Voltage V	Maximum duty m <sup>3</sup> /h	Pressure max Pa	Sound level * dB(A)	Weight kg	Article number
MPR 200T	0,75	2800	1,7	230/400Y	1250	2550	77	18	113 620 200
MPR 200S	0,75	2800	4,9	230	1250	2550	77	19	113 620 210
MPR 260T	1,1	2800	2,45	230/400Y	1550	2550	78	18,5	113 620 260
MPR 260S	1,1	2800	7,1	230	1550	2550	78	20	113 620 265
MPR 300T	1,5	2820	3,4	230/400Y	2240	3400	79	23	113 620 300
MPR 300S	1,5	2820	9,5	230	2240	3400	79	25	113 620 310
MPR 400T	4,0	2910	7,8	400Δ	4080	4180	83	60	113 620 400
MPR 600T	11,0	2910	20,2	400	6500	6600	90	83	113 620 600

\* - in the middle of the performance curve, 1m from the fan.

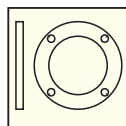
## Accessories



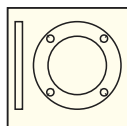
Connector suction side page 138



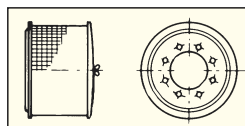
Connector pressure side page 138



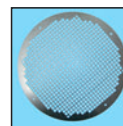
Welding flange suction side page 139



Welding flange pressure side page 139

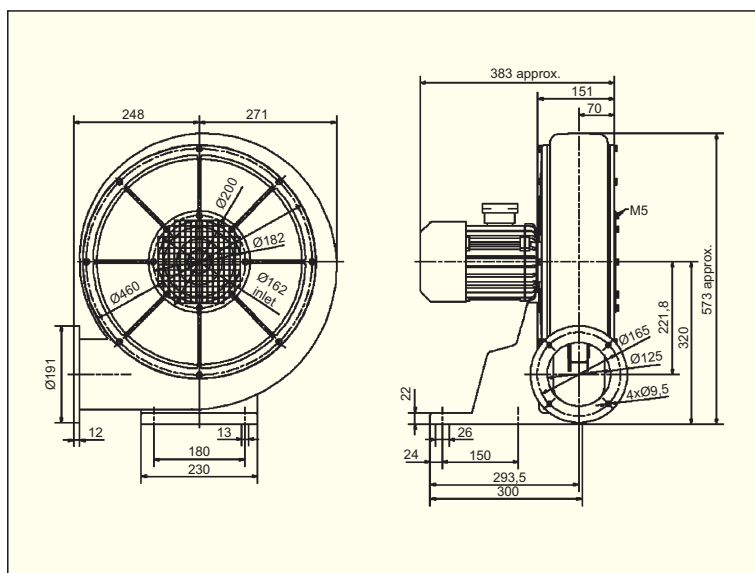
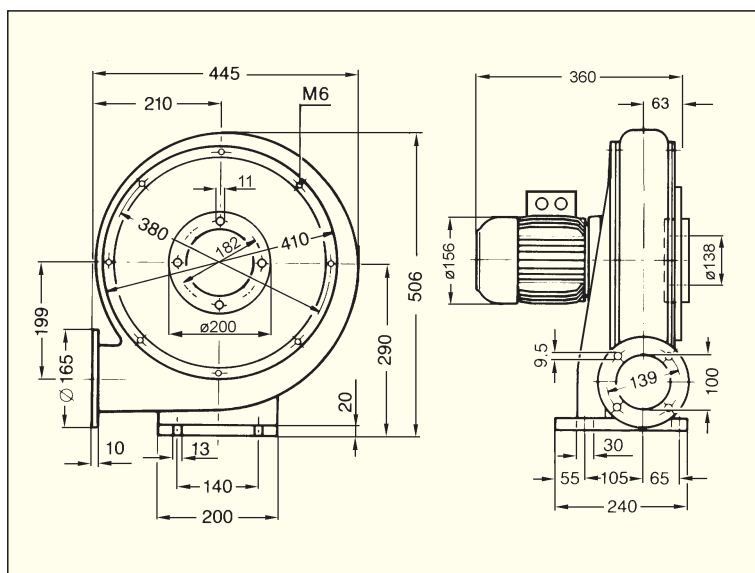
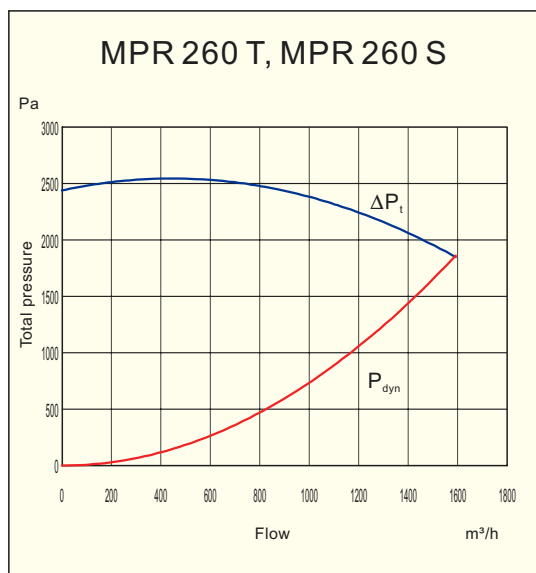
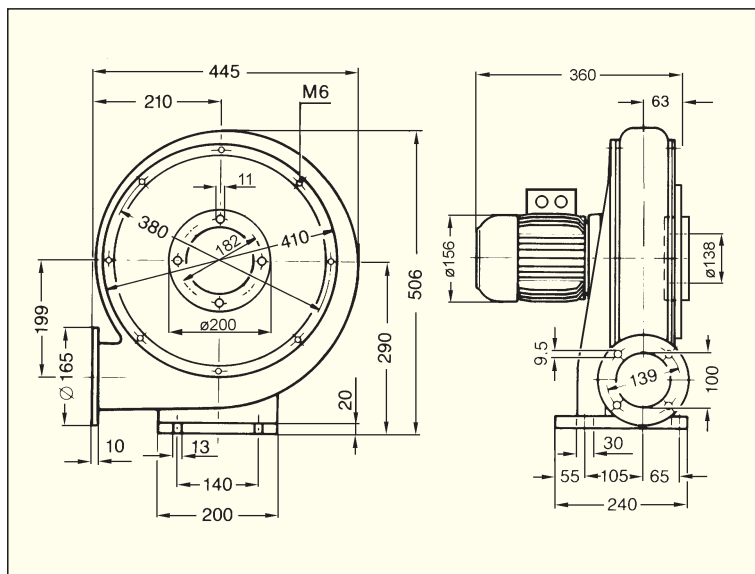
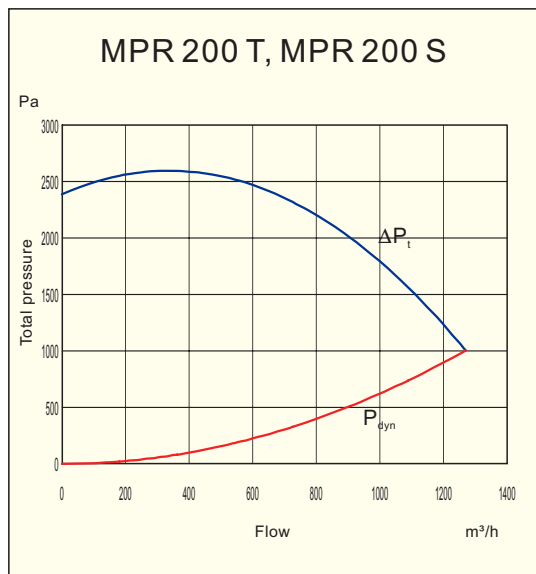


Filter suction side page 139

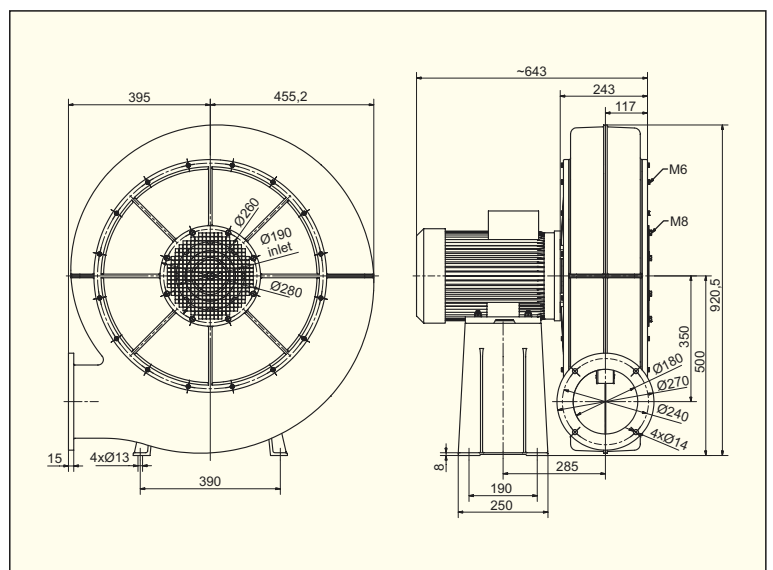
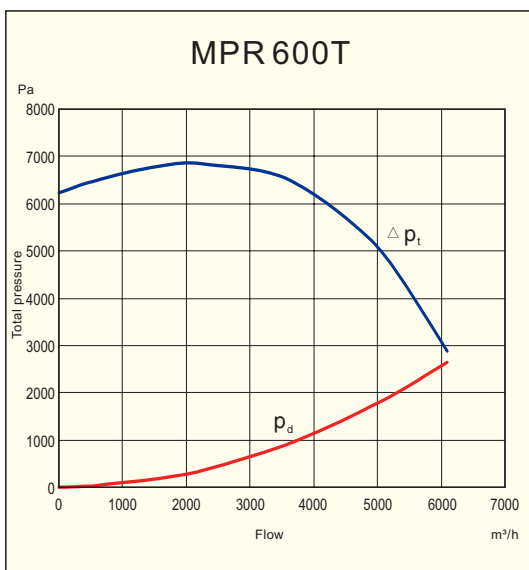
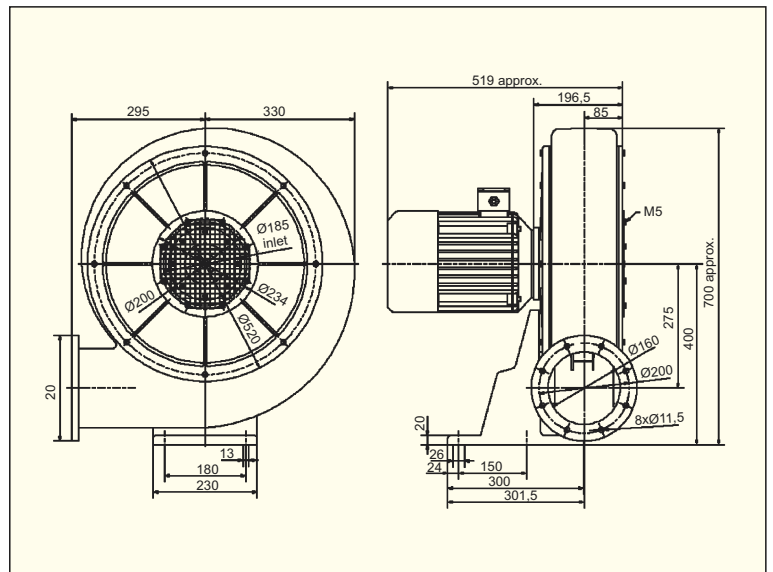
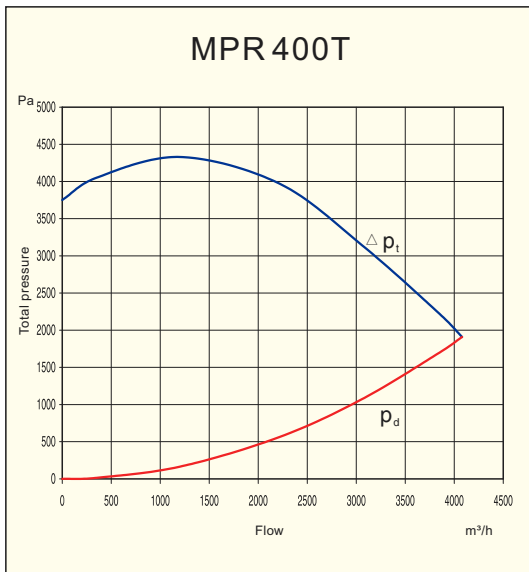


Protecting net

Performance curves



## Performance curves





## Construction

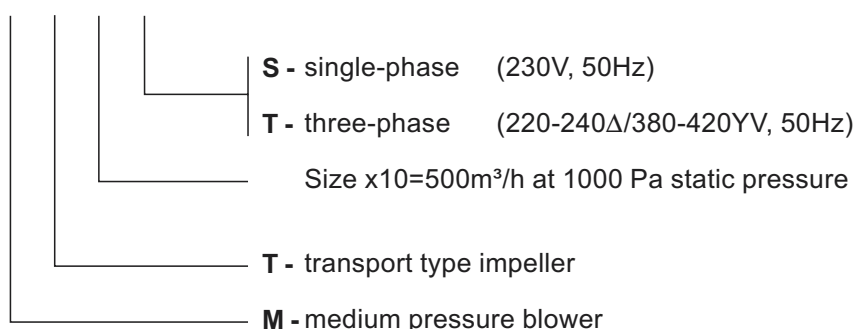
Single inlet, direct driven centrifugal fan with casing of cast aluminium. Impeller with self cleaning blades of cast aluminium.

## Motor

220-240/380-420V, 50Hz (380-420/660-690V above 3kW) three-phase or 220-240V, 50Hz single-phase asynchronous motor with squirrel cage. Insulation class F, enclosure IP55. Special voltage or frequency, improved enclosure IP65, 2-speed motors and explosion proof motor can be supplied on request. Wiring diagram, see page 235.

## Model numbering system

### M P B 30 S



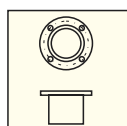
## Data

Type **	Motor power kW	Voltage V	Maximum current A	Maximum duty m <sup>3</sup> /h	Pressure (max) Pa	Sound level * dB(A)	Weight kg	Article number
MPT-03T	0,18	230/400	0,95/0,55	410	1150	72	8,5	113 550 100
MPT-03S	0,18	230	1,8	410	1150	72	9,0	113 550 110
MPT-25T	0,18	230/400	0,95/0,55	300	1350	75	8,5	113 550 120
MPT-25S	0,18	230	1,8	300	1350	75	9,0	113 550 130
MPT-25TD	0,25	230/400	1,27/0,8	600	1350	75	10,7	113 550 125
MPT-25SD	0,25	230	1,93	600	1350	75	11,5	113 550 135
MPT-40T	0,37	230/400	1,77/1,02	390	2050	78	14,5	113 550 160
MPT-40S	0,37	230	2,9	390	2050	78	16,0	113 550 170
MPT-50T	0,55	230/400	2,35/1,35	690	2050	78	15,0	113 550 180
MPT-50S	0,55	230	4,00	690	2050	78	16,5	113 550 190
MPT-80T	0,75	230/400	3,3/1,90	690	2140	83	18,5	113 550 200
MPT-80S	0,75	230	5,20	690	2140	83	20,5	113 550 210
MPT-90T	1,10	230/400	4,30/2,50	1170	2140	83	19,0	113 550 220
MPT-90S	1,10	230	7,90	1170	2140	83	21,0	113 550 230
MPT-160T	2,20	230/400	8,00/4,60	2040	2240	88	31,0	113 550 240
MPT-290T	4,00	400/690	7,80/4,50	3700	3250	91	55,0	113 550 250
MPT-300T	3,00	230/400	11,3/6,50	2600	3650	91	44,0	113 550 245
MPT-350T	4,00	400/690	7,80/4,60	3150	3650	92	55,0	113 550 260

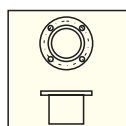
\*\* - all sizes with speed approx. 2800 rpm

\* - in the middle of the performance curve.

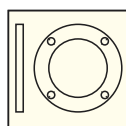
## Accessories



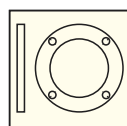
Connector suction side page 138



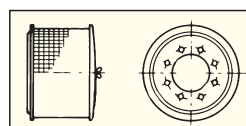
Connector pressure side page 138



Welding flange suction side page 139

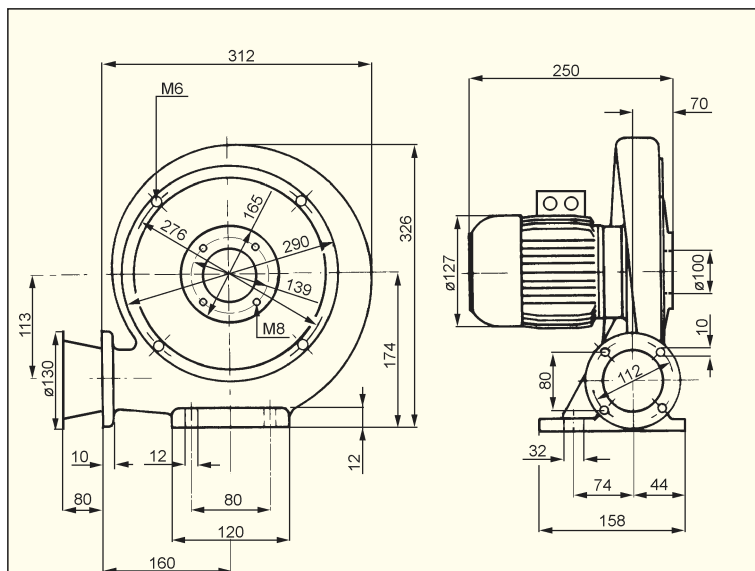
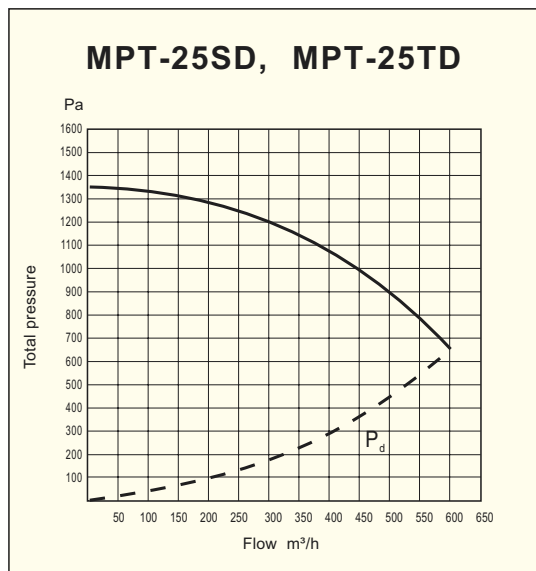
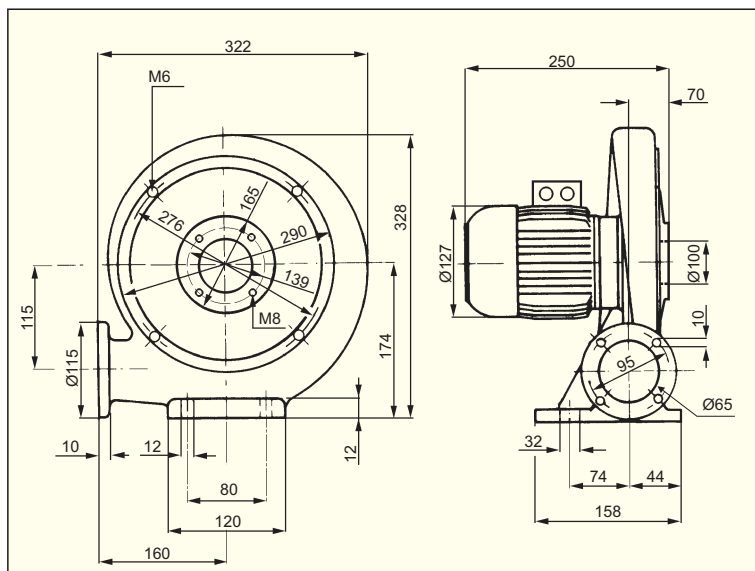
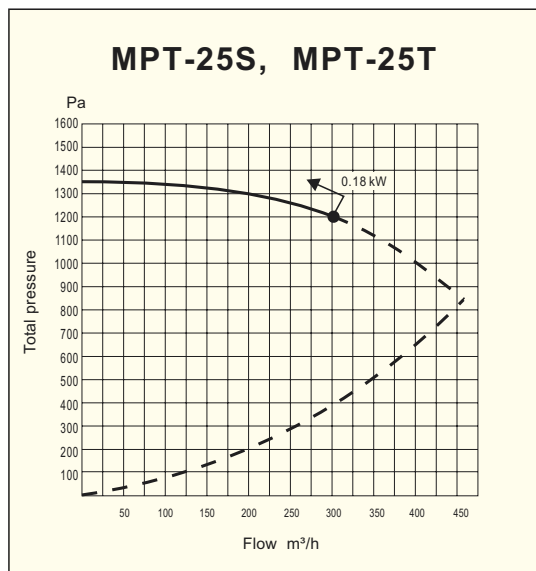
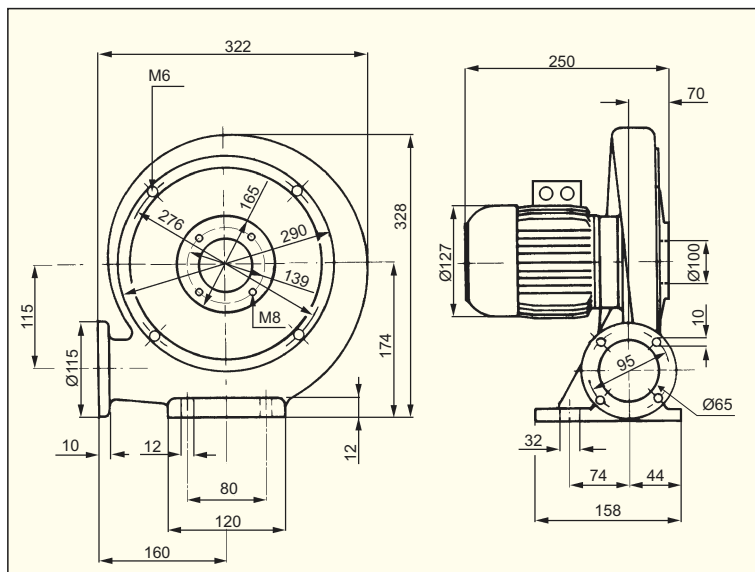
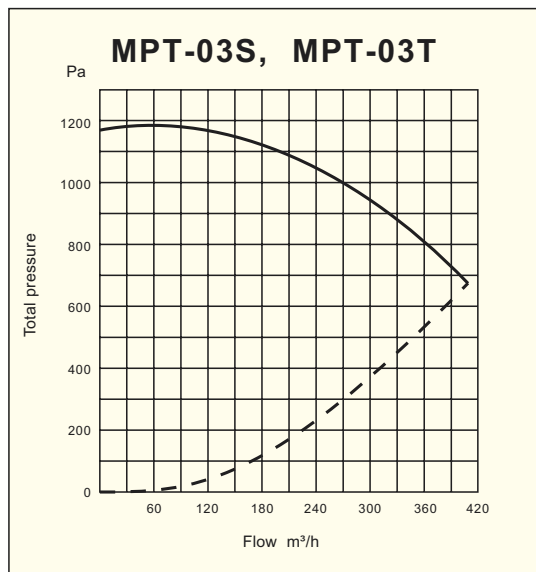


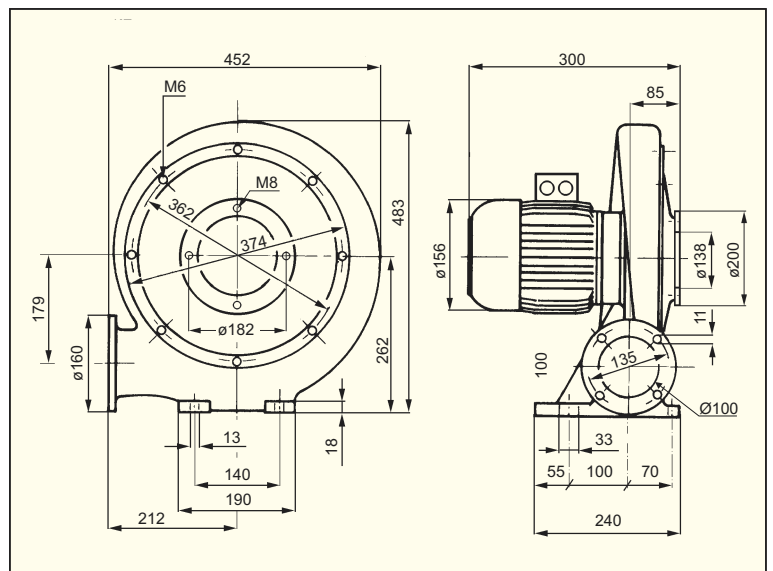
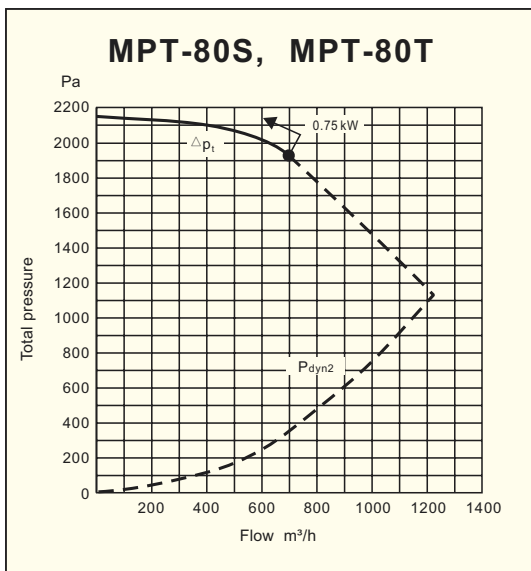
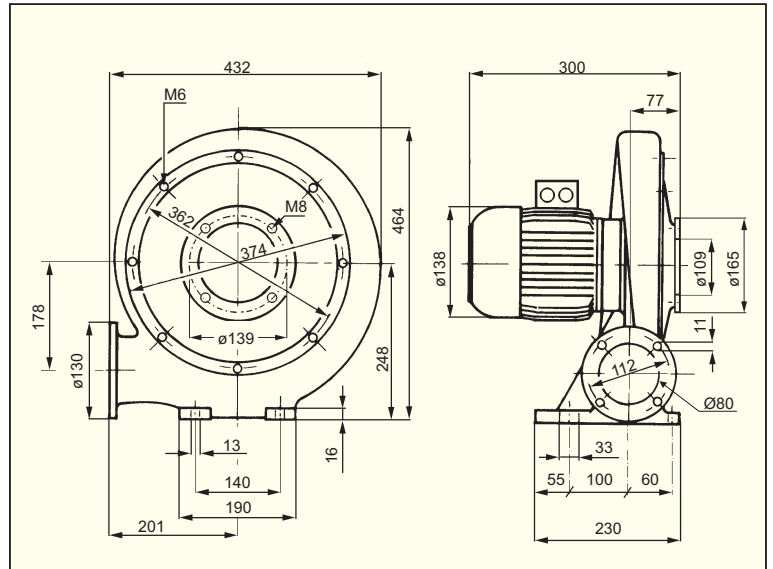
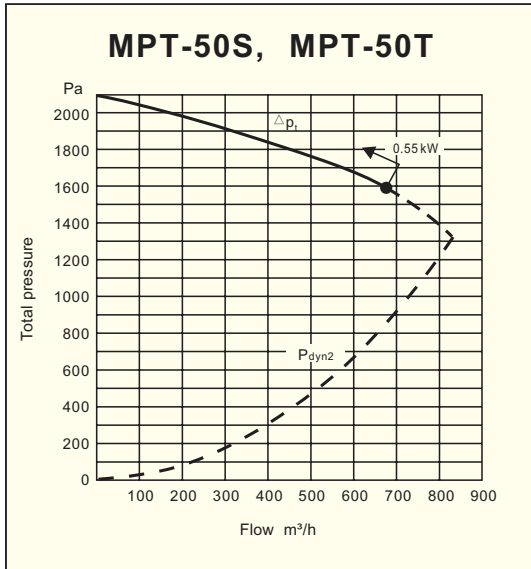
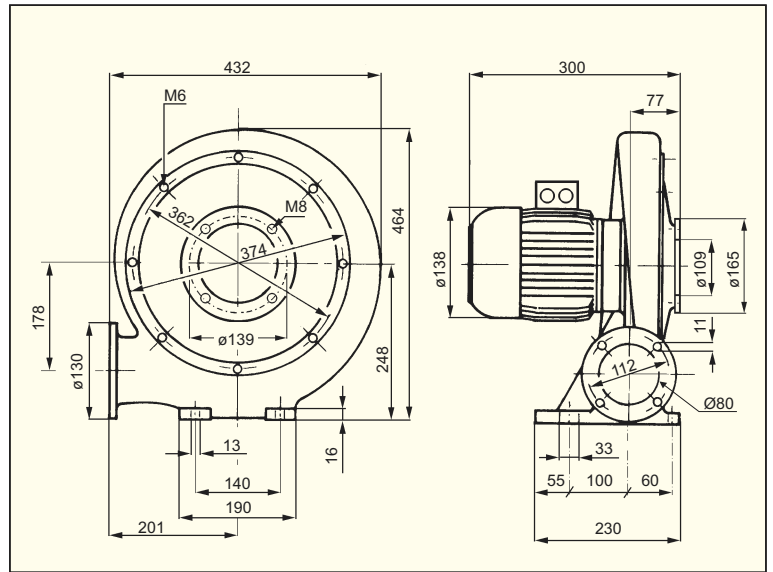
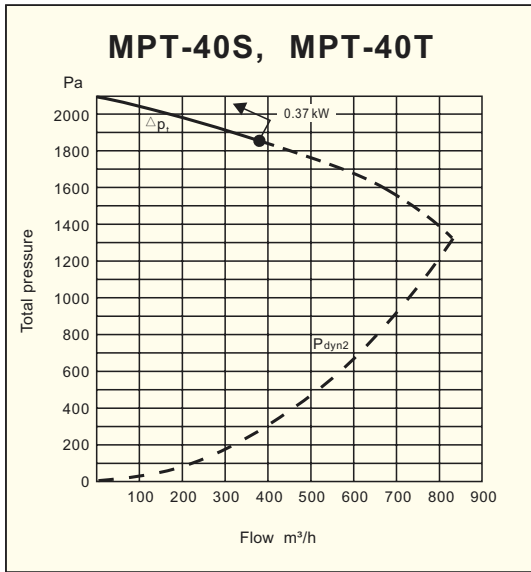
Welding flange pressure side page 139

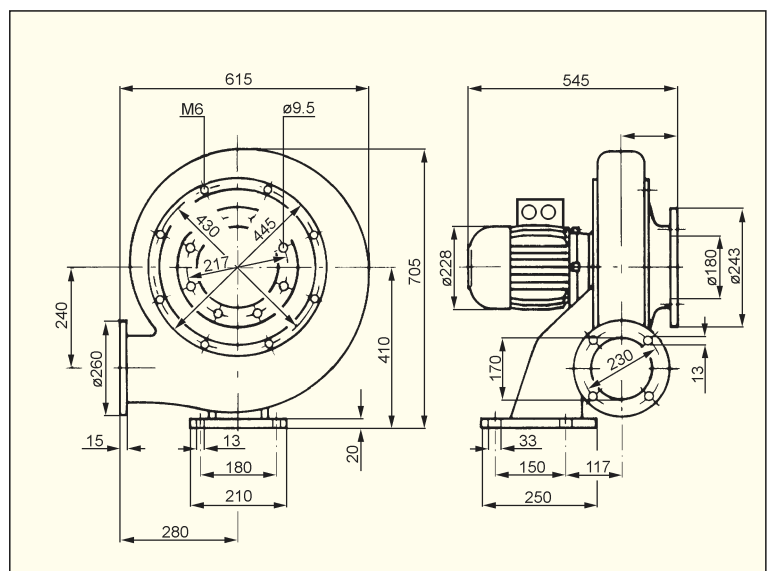
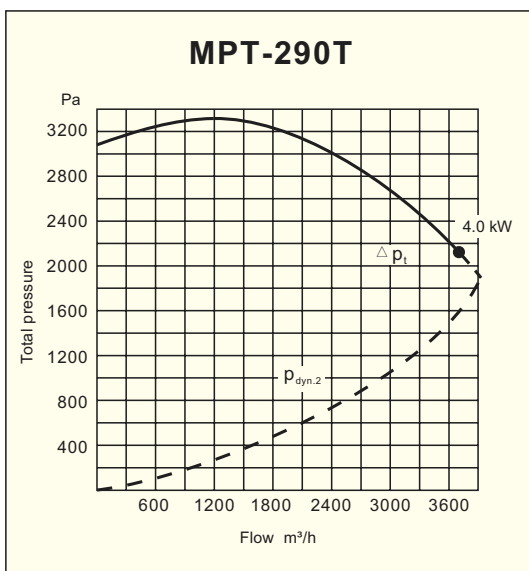
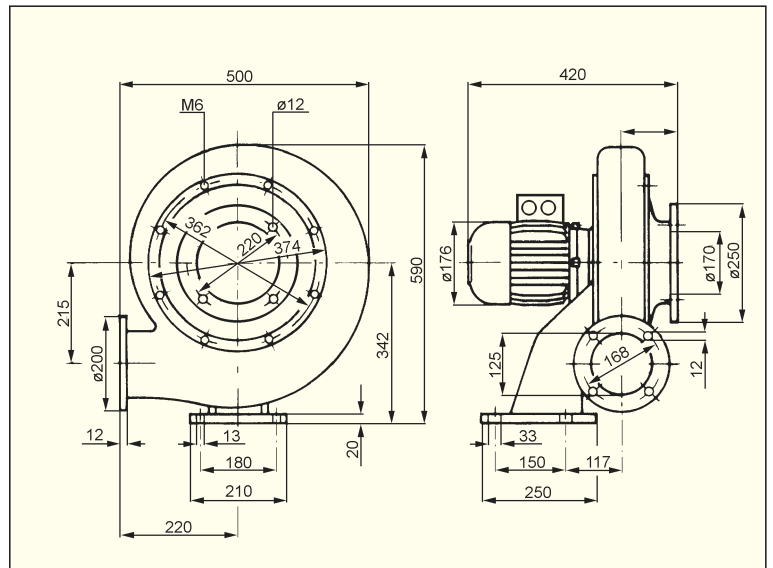
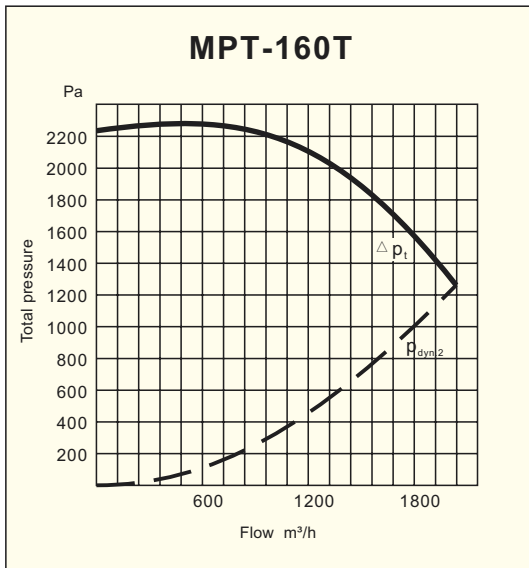
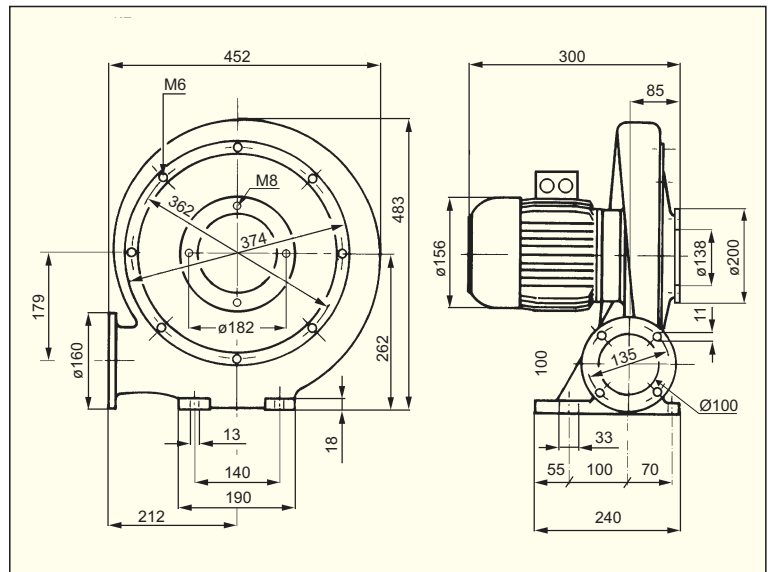
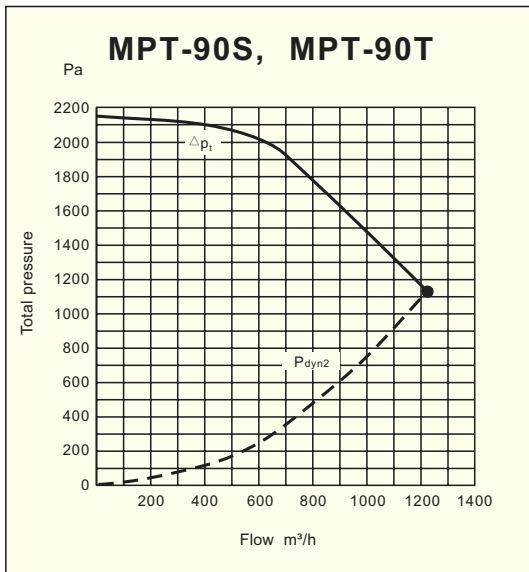


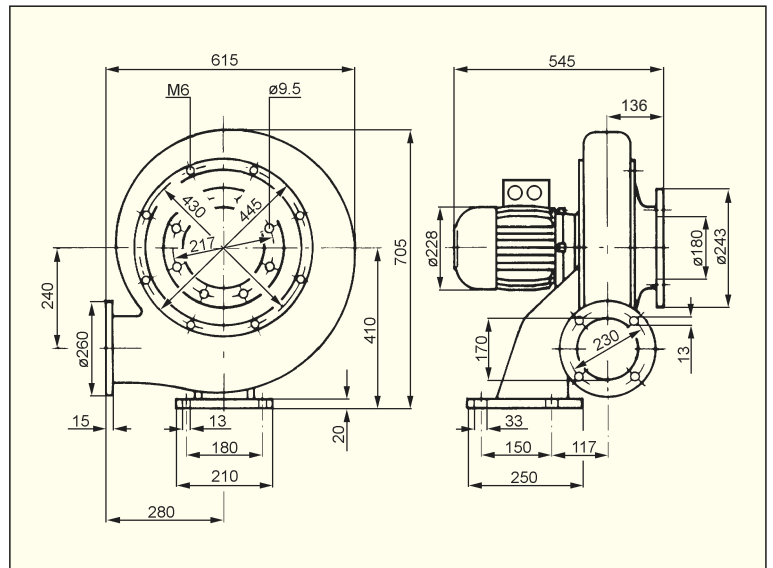
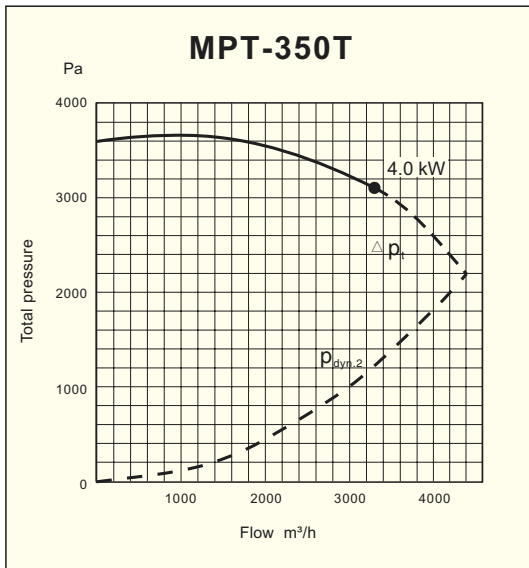
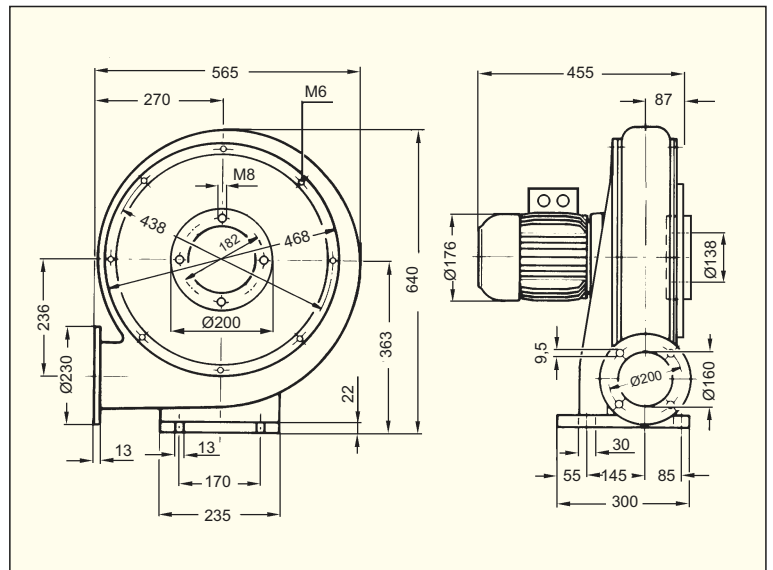
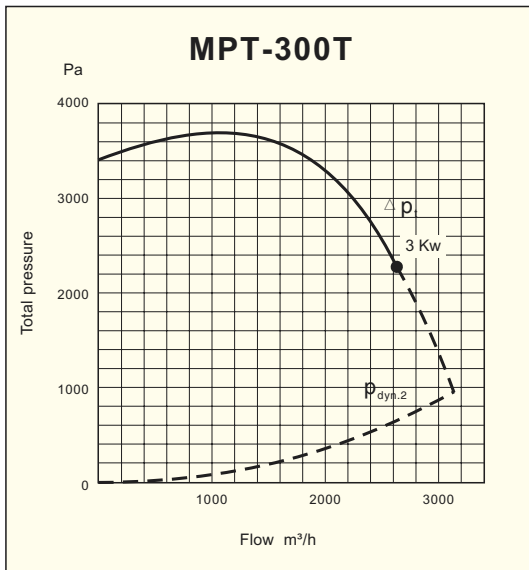
Filter suction side page 139

Performance curves



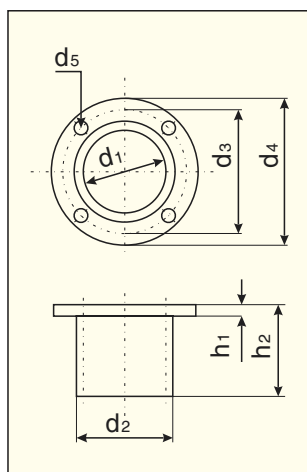








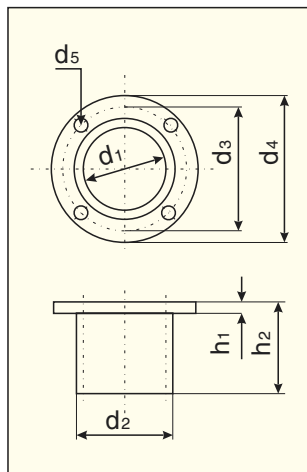
**Connector suction side**



Type	$d_1$	$d_2$	$d_3$	$d_4$	$d_5$	$h_1$	$h_2$	Article number
MPT-03, 25 *	100	108						113 561 100
MPT-25D *	100	108						113 561 125
MPT-40, 50	110	125	139	165	9.0	10	80	113 611 180
MPT-80, 90	148	160	182	200	9.0	10	80	113 611 220
MPT-160	170	180	220	250	12.0	10	80	113 561 240
MPT-290, 350	180	190	217	243	12.0	10	80	113 561 250
MPT-300	148	160	182	200	9.0	10	80	113 611 220
MPR-300	148	160	182	200	9.0	10	80	113 611 230
MPR-400	172	180	200	234	9.0	10	80	113 611 240
MPB-25	110	125	139	165	9.0	10	80	113 611 180
MPB-30	110	125	139	165	9.0	10	80	113 611 180
MPB-75	110	125	139	165	9.0	10	80	113 611 180
MPB-110, 110D	148	160	182	200	9.0	10	80	113 611 220
MPB-220, 250	148	160	182	200	9.0	10	80	113 611 220
MPB-280	148	160	182	200	9.0	10	80	113 611 220
MPB-300	148	160	182	200	9.0	10	80	113 611 230
MPB-400	172	180	200	234	9.0	10	80	113 611 240

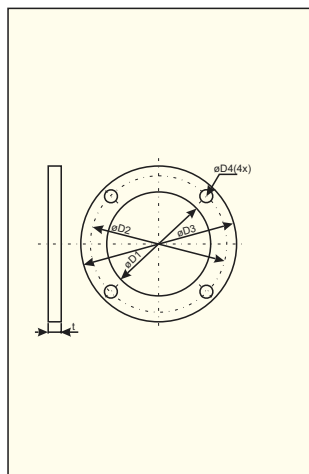
\* - Use inlet with connector

**Connector pressure side**



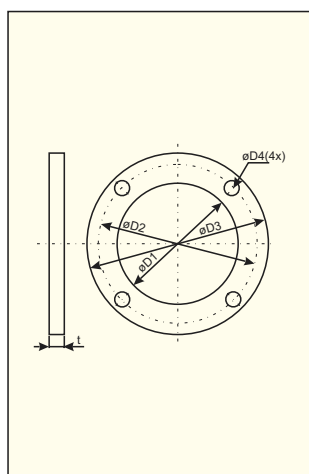
Type	$d_1$	$d_2$	$d_3$	$d_4$	$d_5$	$h_1$	$h_2$	Article number
MPT-03, 25	65	76	95	115	10.0	10	80	113 562 100
MPT-25D	80	89	112	130	11.0	10	80	113 562 160
MPT-40, 50	80	89	112	130	11.0	10	80	113 562 160
MPT-80, 90	100	112	135	160	11.0	10	80	113 562 200
MPT-160	125	140	168	200	12.0	10	80	113 562 240
MPT-290, 350	170	180	230	160	13.0	10	80	113 562 250
MPT-300	160	170	200	230	10.0	11	80	113 562 260
MPR-300	125	139	165	190	9.0	10	80	113 562 270
MPR-400	160	170	200	230	10.0	10	80	113 562 280
MPB-25	65	76	95	115	10.0	10	80	113 562 100
MPB-30	65	76	95	115	10.0	10	80	113 562 100
MPB-75	100	112	139	165	9.5	10	80	113 612 180
MPB-110	100	112	139	165	9.5	10	80	113 612 180
MPB-110D	140	150	182	200	10.0	10	80	113 662 540
MPB-220, 250	160	170	200	230	10.0	11	80	113 562 260
MPB-280	160	170	200	230	10.0	11	80	113 562 260
MPB-300	125	139	165	190	9.0	10	80	113 562 270
MPB-400	160	170	200	230	10.0	10	80	113 562 280

**Welding flange suction side**



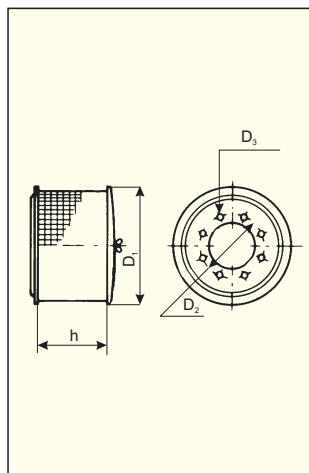
Type	D <sub>1</sub>	D <sub>2</sub>	D <sub>3</sub>	D <sub>4</sub>	t	Article number
MPT-03, 25	100	139	165	8.5	10	113 567 100
MPT-25D	100	139	165	8.5	10	113 567 100
MPT-40, 50	110	139	165	9.0	10	113 617 180
MPT-80, 90	148	182	200	9.0	10	113 617 220
MPT-160	170	220	250	12.0	10	113 567 240
MPT-290, 350	180	217	243	9.5	10	113 567 250
MPT-300	148	182	200	9.0	10	113 617 220
MPR-300	148	182	200	9.0	10	113 617 230
MPR-400	172	200	234	9.0	10	113 617 240
MPB-25	110	139	165	9.0	10	113 617 160
MPB-30	110	139	165	9.0	10	113 617 160
MPB-75	110	139	165	9.0	10	113 617 180
MPB-110, 110D	148	182	200	9.0	10	113 617 220
MPB-220, 250	148	182	200	9.0	10	113 617 220
MPB-280	148	182	200	9.0	10	113 617 220
MPB-300	148	182	200	9.0	10	113 617 230
MPB-400	172	200	234	9.0	10	113 617 240

**Welding flange pressure side**

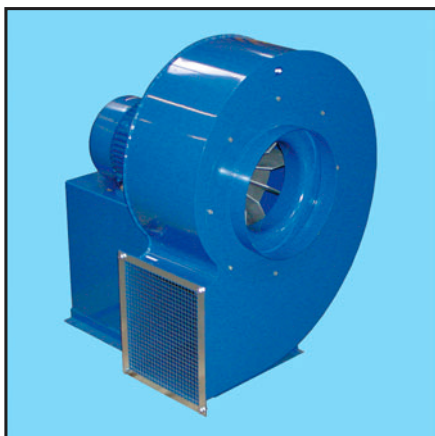


Type	D <sub>1</sub>	D <sub>2</sub>	D <sub>3</sub>	D <sub>4</sub>	t	Article number
MPT-03, 25	65	95	115	10.0	10	113 563 100
MPT-25D	80	112	130	11.0	10	113 563 160
MPT-40, 50	80	112	130	11.0	10	113 563 160
MPT-80, 90	100	135	160	11.0	10	113 563 200
MPT-160	125	168	200	12.0	10	113 563 240
MPT-290, 350	170	230	260	13.0	10	113 563 250
MPT-300	160	200	230	11.0	10	113 563 260
MPR-300	125	165	190	9.0	10	113 563 270
MPR-400	160	200	230	10.0	10	113 563 280
MPB-25	65	95	115	10.0	10	113 613 160
MPB-30	65	95	115	10.0	10	113 613 160
MPB-75	100	139	165	9.5	10	113 613 180
MPB-110	100	139	165	9.5	10	113 613 180
MPB-110D	140	182	200	10.0	10	113 663 540
MPB-220, 250	160	200	230	11.0	10	113 563 260
MPB-280	160	200	230	11.0	10	113 563 260
MPB-300	125	165	190	9.0	10	113 563 270
MPB-400	160	200	230	10.0	10	113 263 280

**Filter suction side**



Type	D <sub>1</sub>	D <sub>2</sub>	D <sub>3</sub>	h	Article number
MPT-03, 25	284	139	10	140	113 565 100
MPT-25D	284	139	10	140	113 565 100
MPT-40, 50	284	155	10	140	113 565 160
MPT-80, 90	284	170	10	220	113 565 200
MPT-160	284	220	10	370	113 565 240
MPT-290, 350	560	217	10	395	113 565 250
MPT-300	560	182	10	395	113 565 260
MPR-300	284	182	9	300	113 615 220
MPR-400	560	200	9	395	113 565 270
MPB-25	284	139	10	140	113 565 100
MPB-30	284	139	10	140	113 565 100
MPB-75	284	139	9	190	113 615 180
MPB-110	284	182	9	300	113 615 220
MPB-110D	284	182	9	300	113 615 220
MPB-220, 250	560	182	10	395	113 565 260
MPB-280	560	182	10	395	113 565 260
MPB-300	284	182	9	300	113 615 220
MPB-400	560	200	9	395	113 565 270



GMT-100 with support type F

GMT-100 complete with support type M

## Construction

Single inlet, direct driven centrifugal fan. Impeller with self-cleaning blades of cast aluminium in one piece, balanced according to ISO 1940.

Casing of sheet steel welded and painted with blue powder coat. Inlet and outlet guard as a standard for GMT-60, 80, 100, 130. Outlet guard as a standard for GMT-200, 300, 500. Impellers in steel, cast iron or brass as well as casings of galvanized or acid-proof steel can be supplied on request.

GMT-100E fan can be supplied with a support type M, an external overload protection, and a 5m cable and a plug.

## Motor

220-240/380-420V, 50Hz (380-420/660-690V over 3kW) three-phase or 220-240V, 50Hz single-phase asynchronous motor with squirrel cage rotor, in accordance with IEC72 and IEC34-1. Insulation class F, enclosure IP55. Special voltage or frequency, improved enclosure IP65, 2-speed motors, explosion proof motor can be supplied on request.

Wiring diagram, see page 235.

## Accessories

Support type M for module mounting, support type F for wall mounting, suitable for GMT-100 and GMT-130. Connectors and shutters for inlet and outlet side.

## Accessories



Protection guard outlet



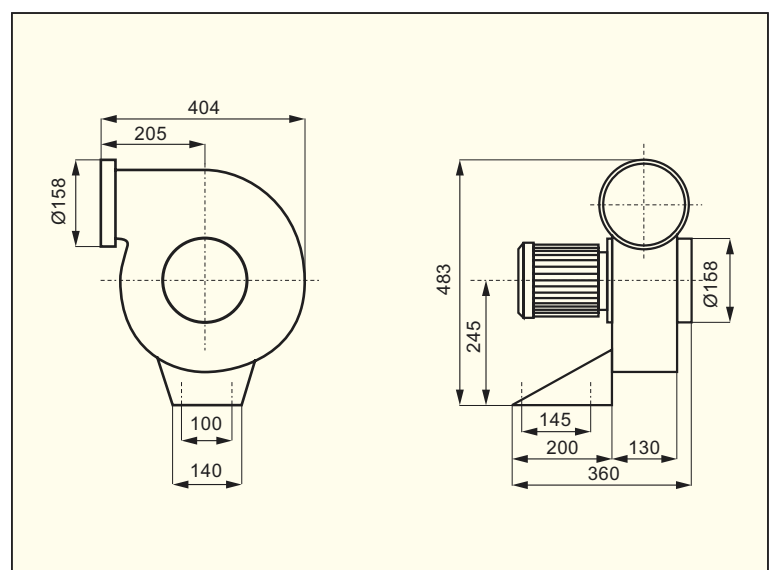
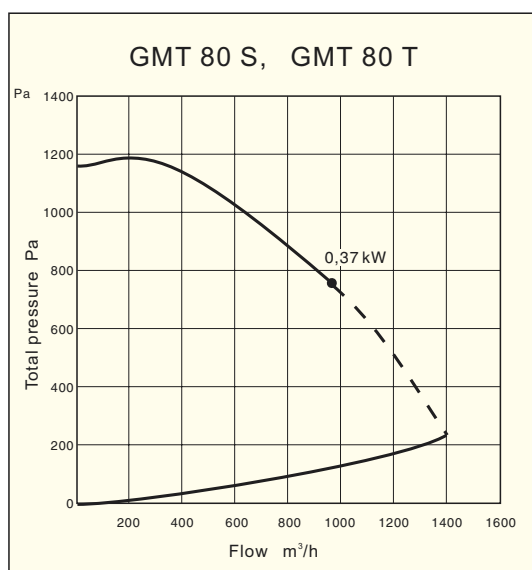
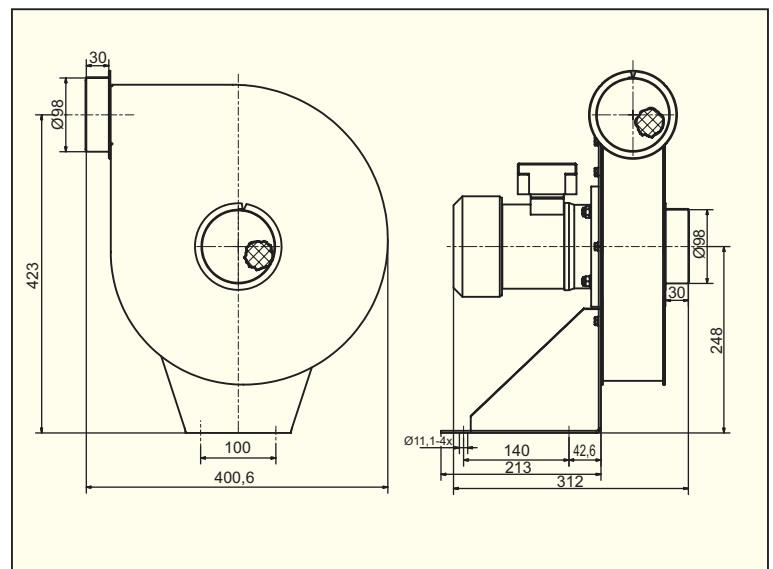
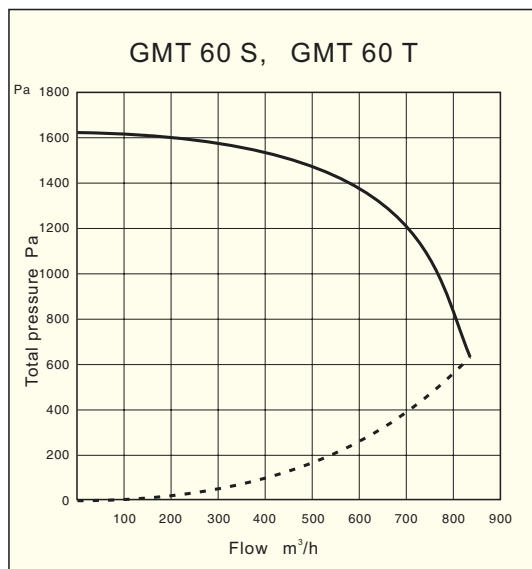
Connector outlet



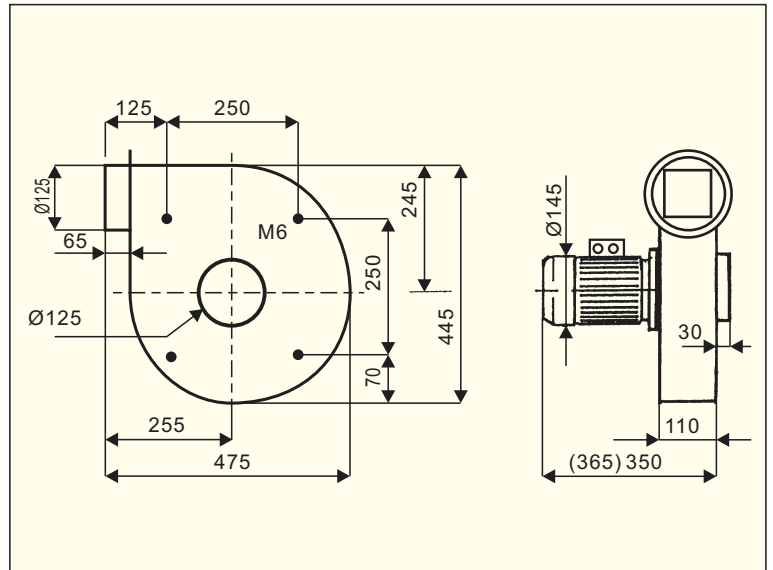
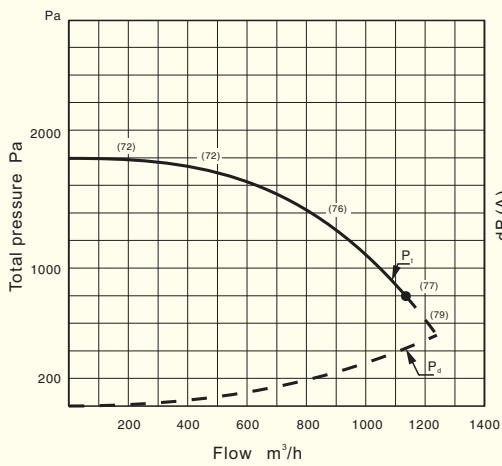
Protection guard inlet

## Data

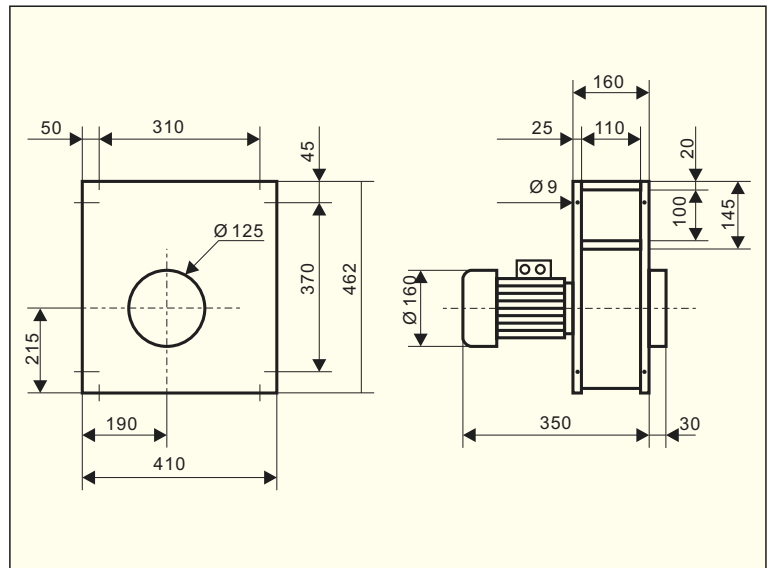
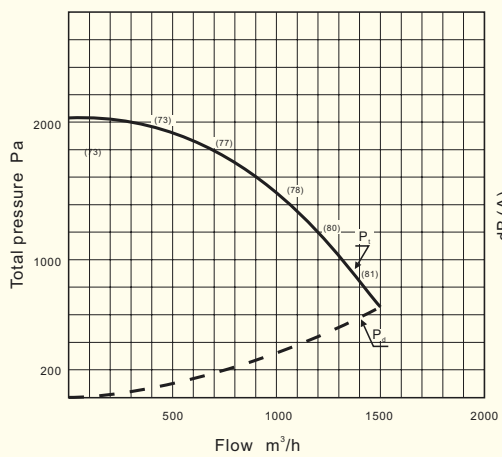
Type	Motor power kW	Speed rpm	Maximum current A	Voltage V	Capacitor $\mu$ F	Maximum duty $m^3/h$	Weight kg	Article number
GMT 60S	0,37	2800	3,00	230	12	810	13,5	213 240 061
GMT 60T	0,37	2800	1,00	400 Y	12	810	13,5	213 240 071
GMT 80S	0,37	2800	3,00	230	12	950	15,5	213 240 081
GMT 80T	0,37	2800	1,00	400 Y	12	950	13,5	213 240 091
GMT100S	0,55	2800	4,00	230	18	1100	14,5	213 250 501
GMT100T	0,55	2800	1,35	400 Y	18	1100	14,0	213 250 001
GMT130S	0,75	2820	5,10	230	25	1500	20,0	213 251 201
GMT130T	0,75	2820	1,90	400 Y	25	1500	17,5	213 250 801
GMT200S	1,10	2820	7,90	230	30	2200	25,0	213 251 611
GMT200T	1,10	2820	2,50	400 Y	30	2200	22,0	213 251 601
GMT300T	2,20	2860	4,60	400 Y		3200	35,5	213 252 001
GMT500T	4,00	2900	7,80	400 $\Delta$		6800	56,0	213 410 801
GMT700T	7,50	2800	14,00	400 $\Delta$	-	8000	82,5	213 252 801



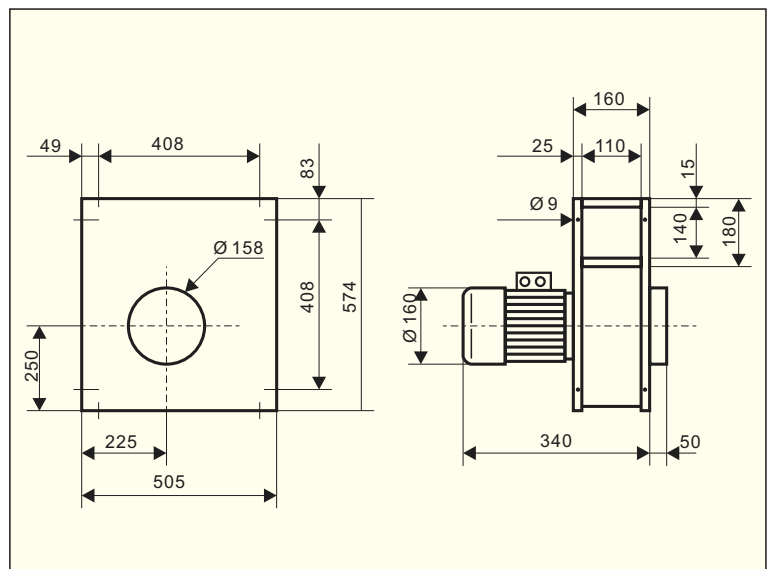
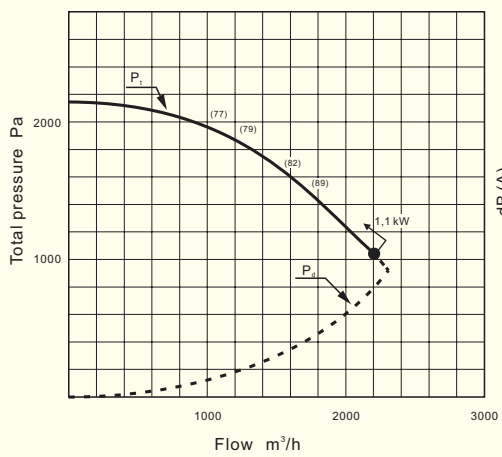
### GMT 100 S, GMT 100 T

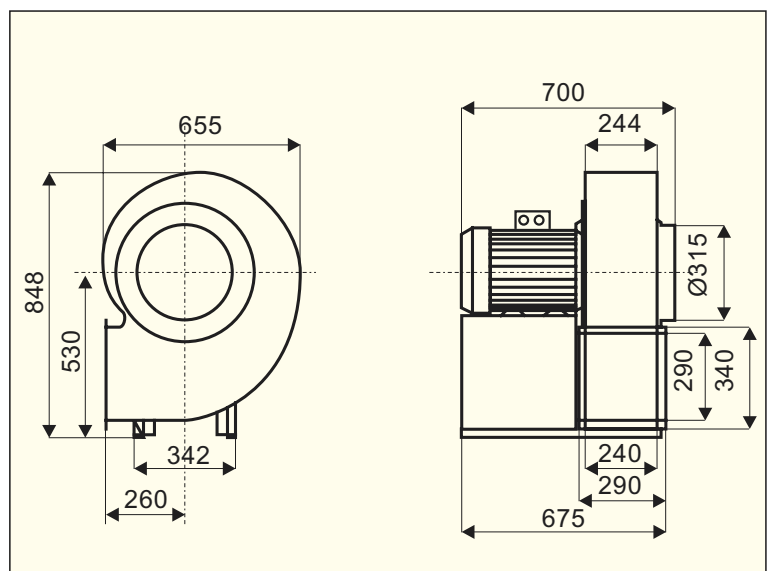
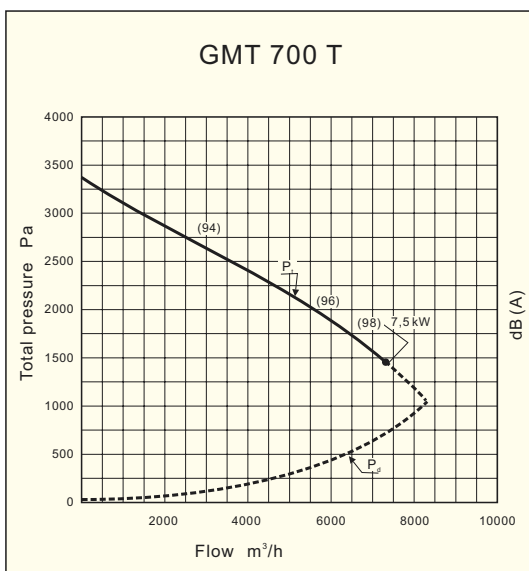
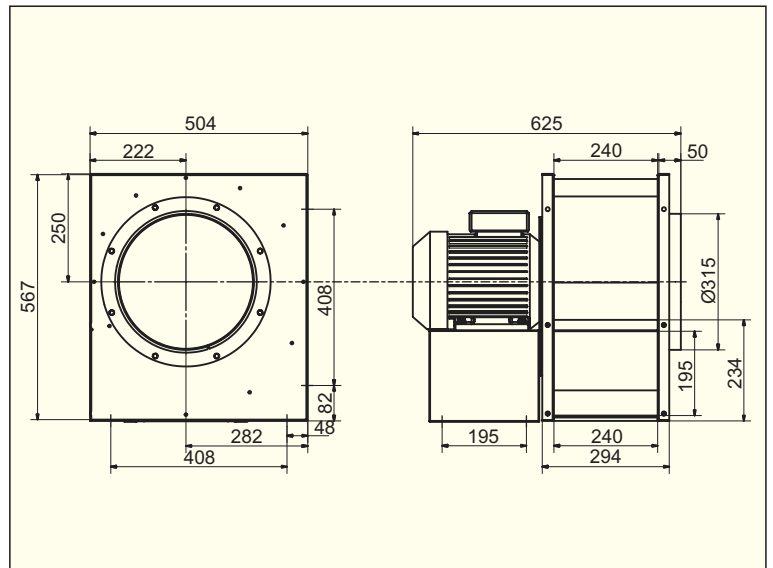
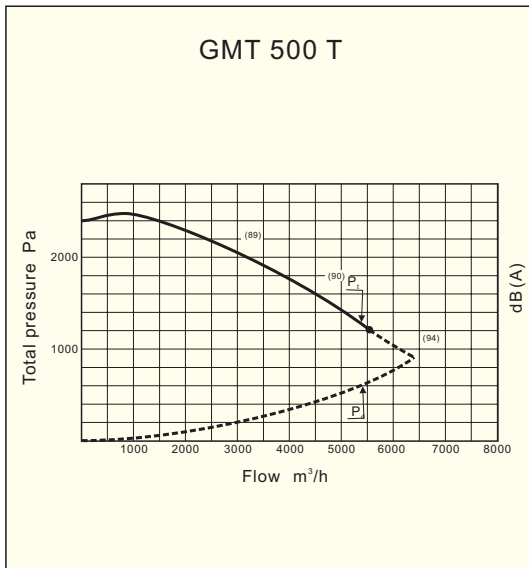
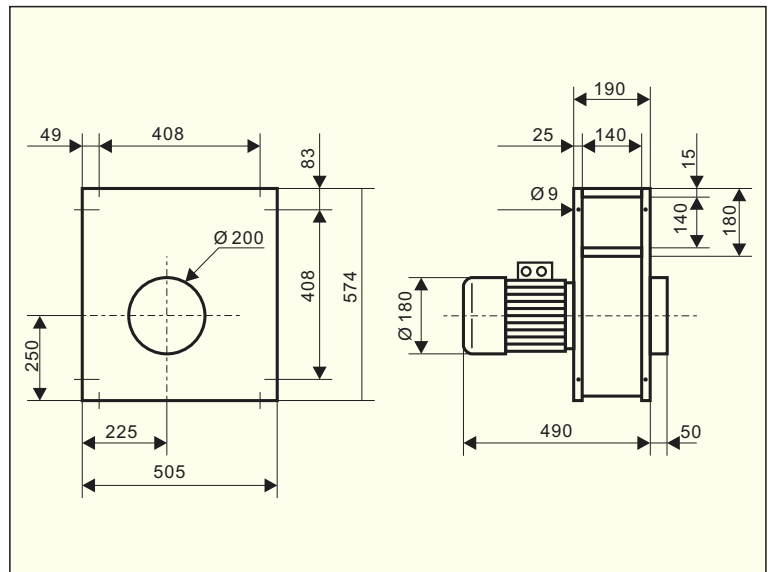
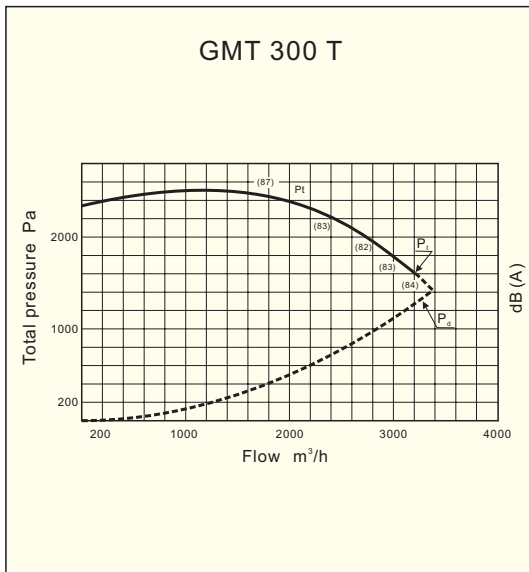


### GMT 130 S, GMT 130 T



### GMT 200 S, GMT 200 T







## Construction

Single inlet direct driven centrifugal fan with spiral formed casing in steel sheet, welded and powder coated RAL9002. Impeller with backward curved (type GSB), or backward straight self-cleaning blades (type MSB), in aluminium or in steel sheet. Casing and impellers in other materials for example stainless steel or galvanized steel sheet may be supplied on request.

## Motor

220-240/380-420V, 50Hz (380-420/660-690V over 3kW) three-phase or 220-240V, 50Hz single-phase asynchronous motor with squirrel cage rotor. Enclosure IP55, insulation class F. Special voltage or frequency, improved enclosure IP65, 2-speed motors, explosion proof motor can be supplied on request. Wiring diagram, see page 235.

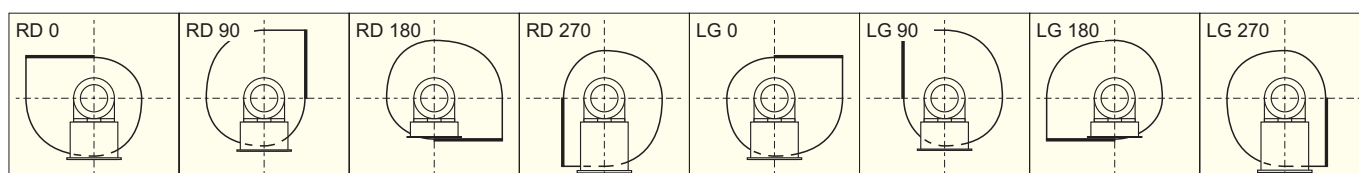
## Accessories

Inlet and outlet fittings, wire guards, dampers, etc.

## Data

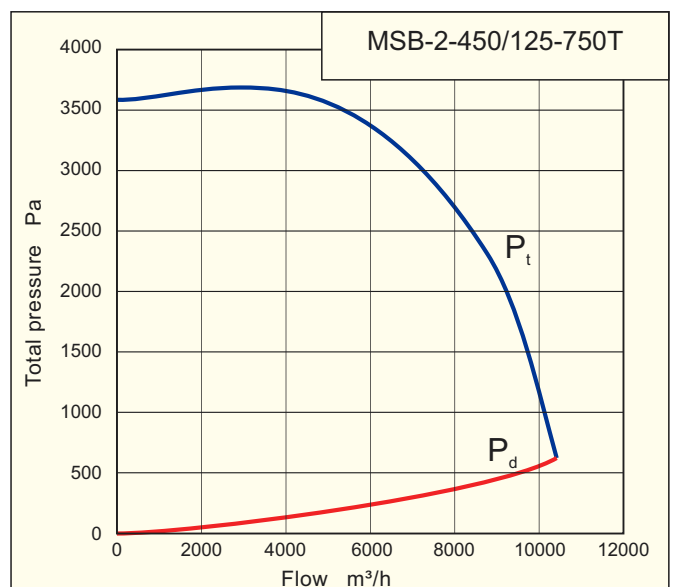
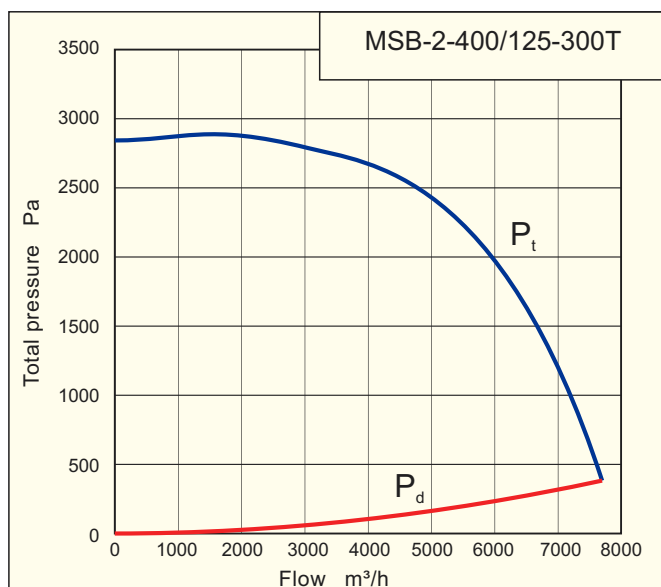
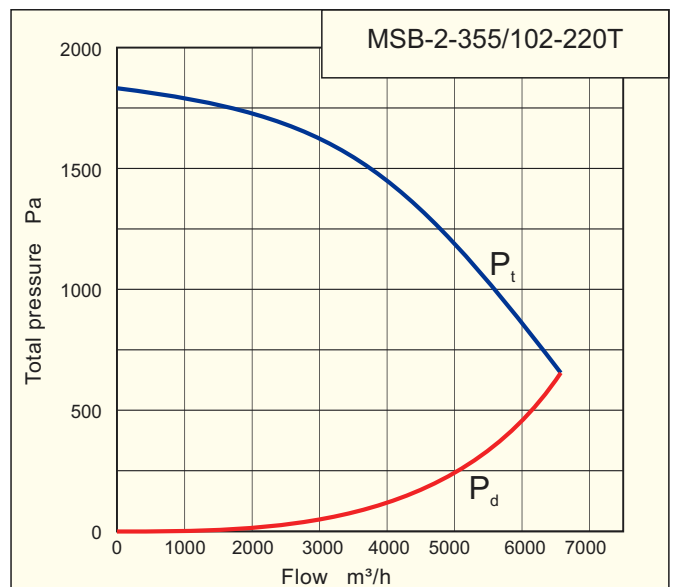
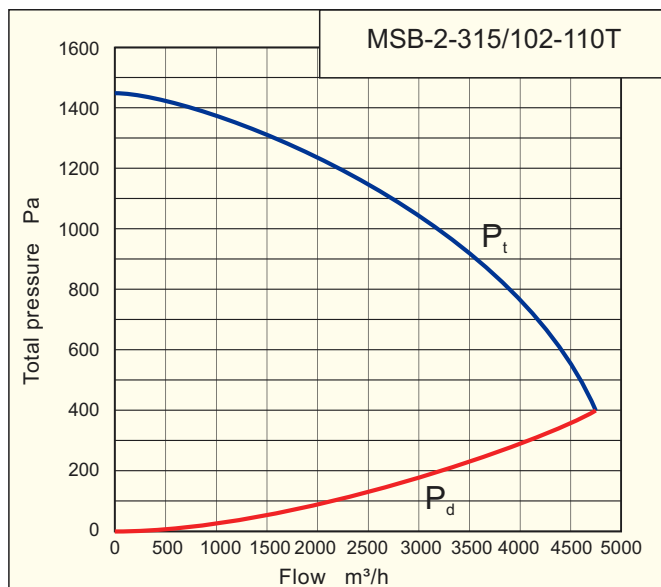
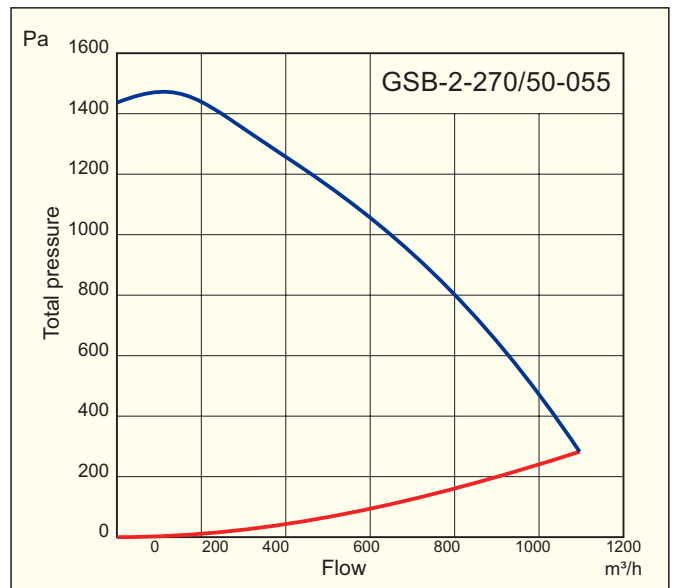
Type	Speed rpm	Motor power kW	Maximum current A	Voltage V	Maximum duty m <sup>3</sup> /h	Maximum pressure Pa	Sound level* dB(A)	Weight kg	Article number
GSB-2-270/50-055T	2900	0,55	1,35	400	1050	1450	73	30	113 360 270
MSB-2-315/102-110T	2900	1,1	2,5	400	4800	1450	74	40	113 363 315
MSB-2-355/125-220T	2900	2,20	4,60	400	6700	1850	76	45	113 363 355
MSB-2-400/125-400T	2900	4,00	6,50	400	7700	2850	80	55	113 363 400
MSB-2-450/125-750T	2900	7,50	14,0	400	12100	3100	85	88	113 363 450
MSB-2-500/100-1100T	2900	11,00	21,2	400	17500	3600	94	125	113 363 500
MSB-4-500/180-110T	1400	1,10	2,70	400	8000	900	75	95	113 360 500
MSB-2-560/80-1850T	2900	18,50	32,0	400	19000	4400	96	140	113 363 560
GSB-4-560/200-220T	1400	2,20	4,90	400	10000	1200	77	105	113 360 550
GSB-4-630/250-400T	1400	4,00	6,60	400	12500	1400	80	158	113 360 630
GSB-4-710/250-750T	1400	7,50	14,6	400	22000	1800	84	230	113 360 710
GSB-6-710/250-300T	900	3,00	6,90	400	13800	800	77	220	113 360 716
GSB-4-800/280-1500T	1460	15	27,7	400	27500	2280	96	274	113 360 800
GSB-6-800/280-550T	950	5,5	11,8	400	18000	1000	86	221	113 360 820
GSB-4-900/315-2200T	1465	22	38,8	400	39000	2900	100	400	113 360 850
GSB-6-900/315-750T	960	7,5	15,2	400	26000	1250	91	325	113 360 870
GSB-4-1000/355-3700T	1475	37	66	400	54000	3600	103	629	113 360 900
GSB-6-1000/355-1100T	960	11	21,9	400	36000	1550	94	434	113 360 920
GSB-8-1000/355-400T	705	4	9,3	400	27000	890	87	394	113 360 940

\* - in the middle of the performance curve.

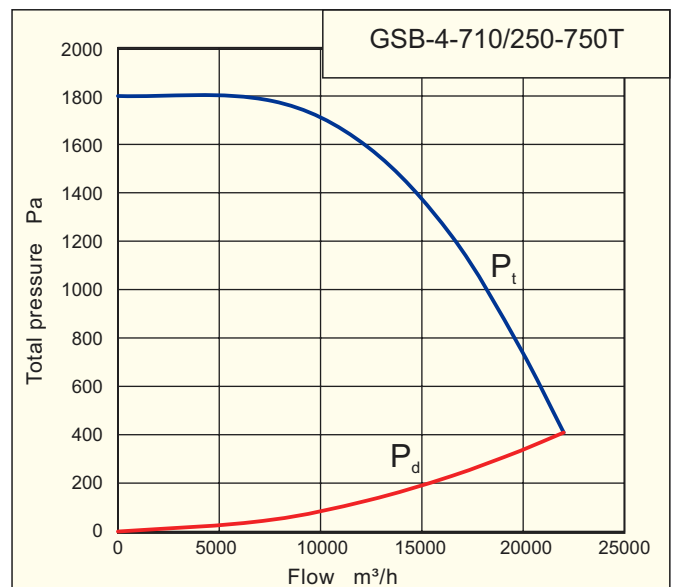
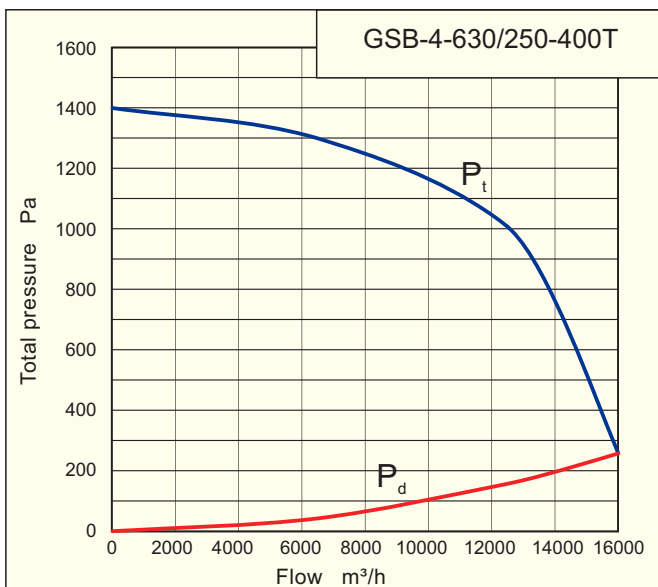
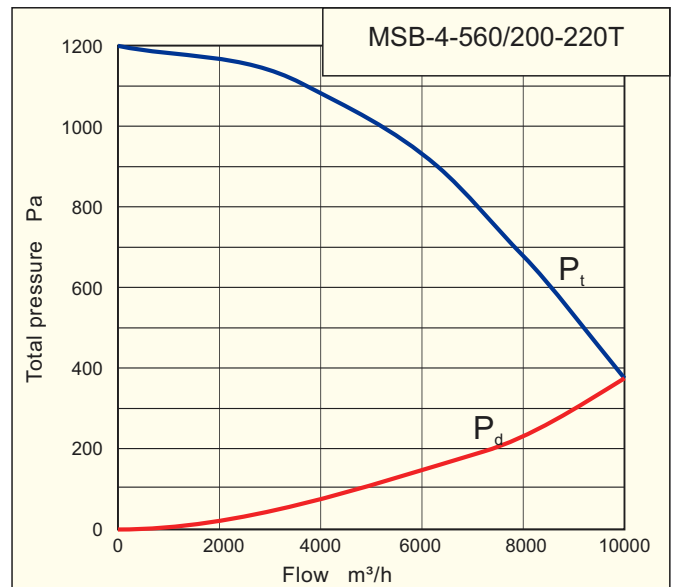
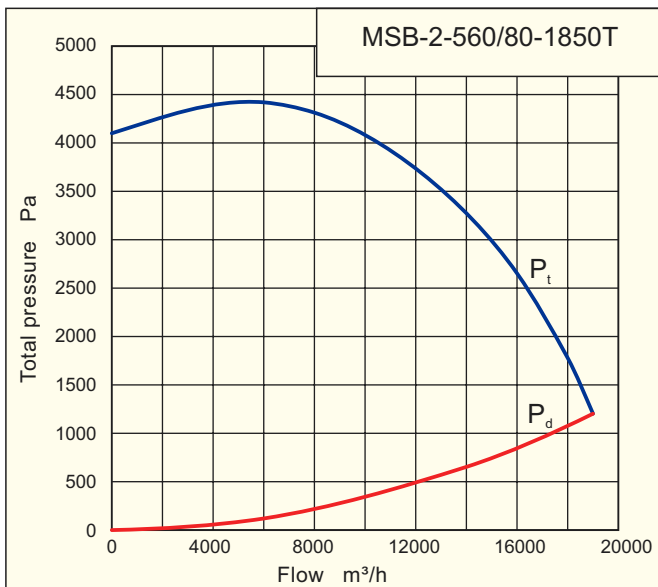
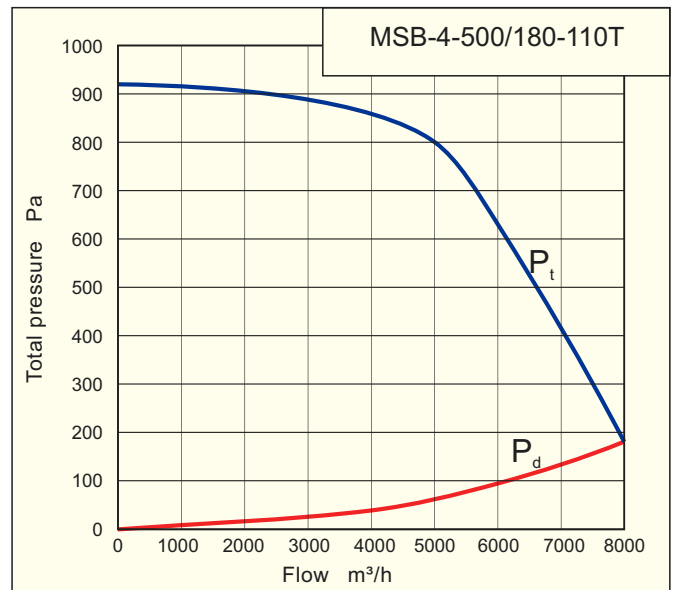
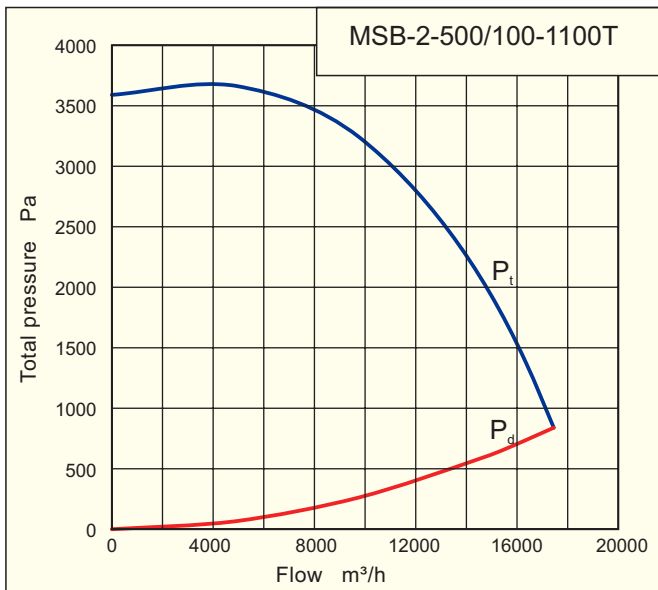


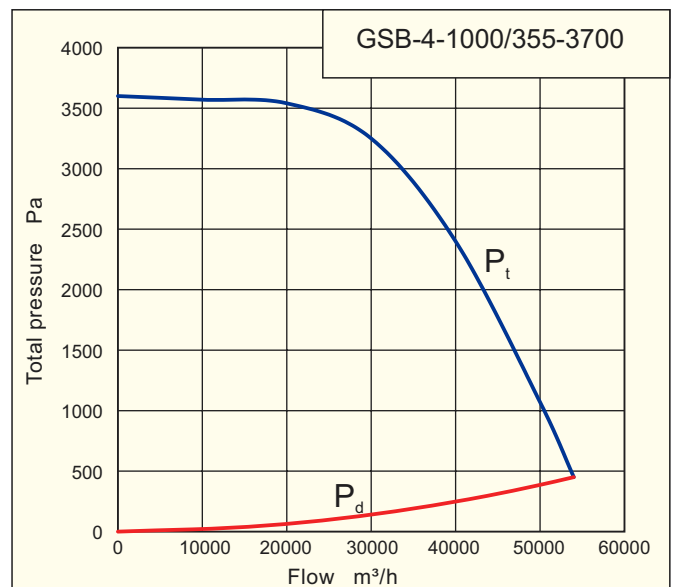
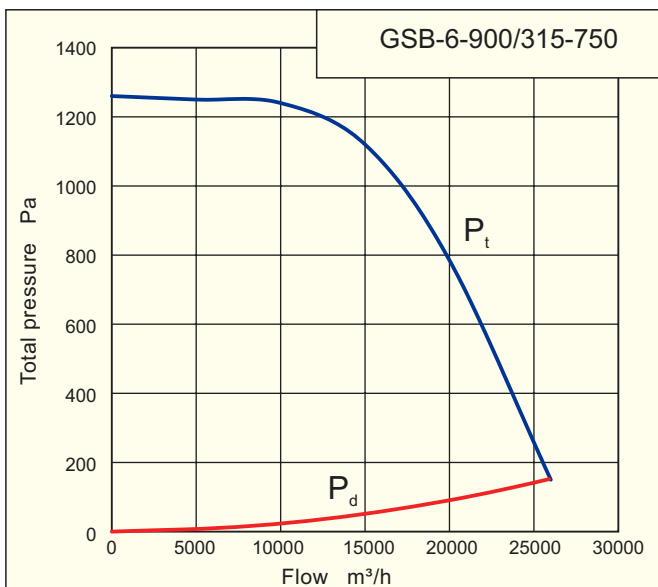
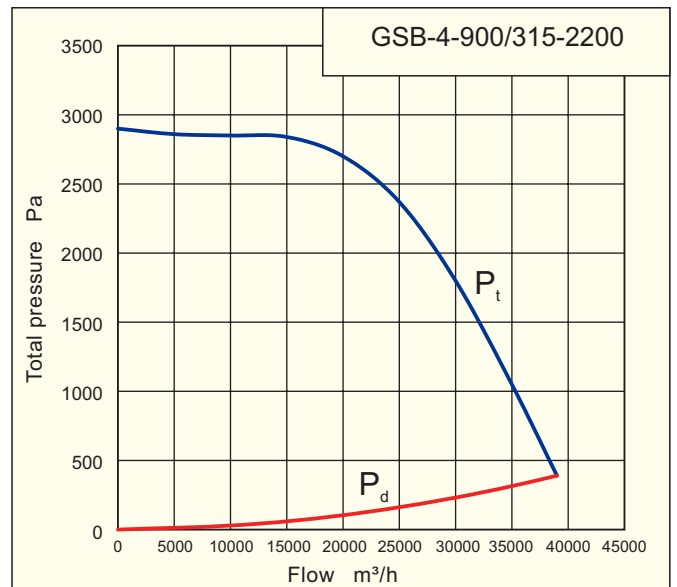
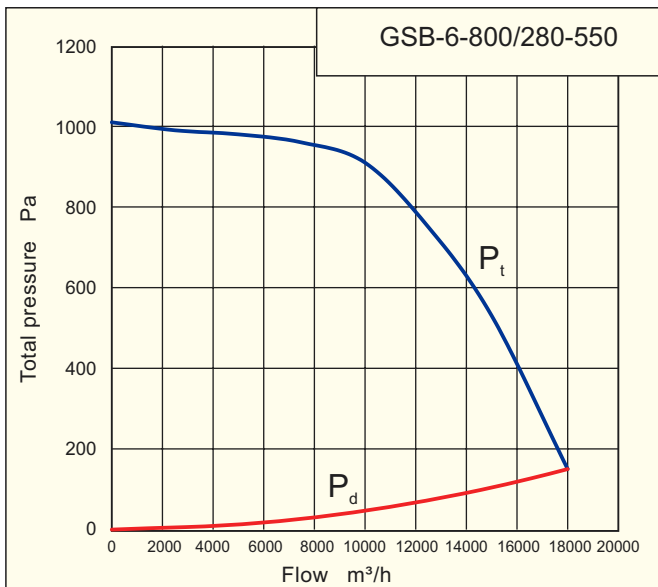
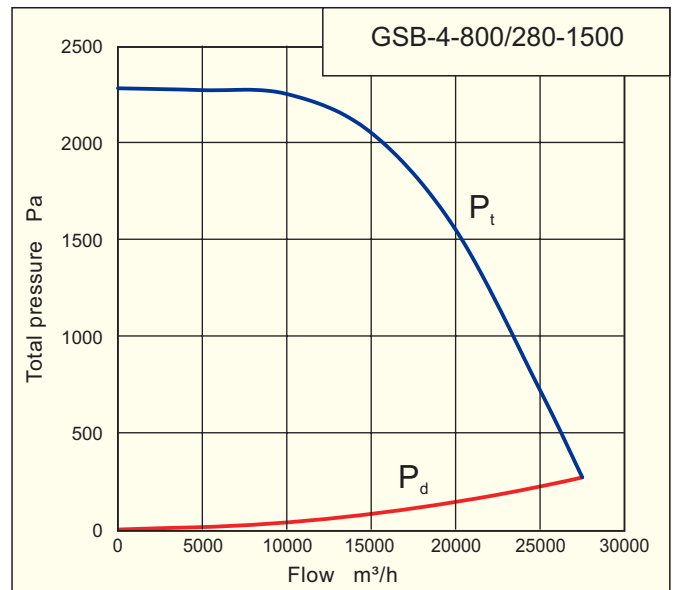
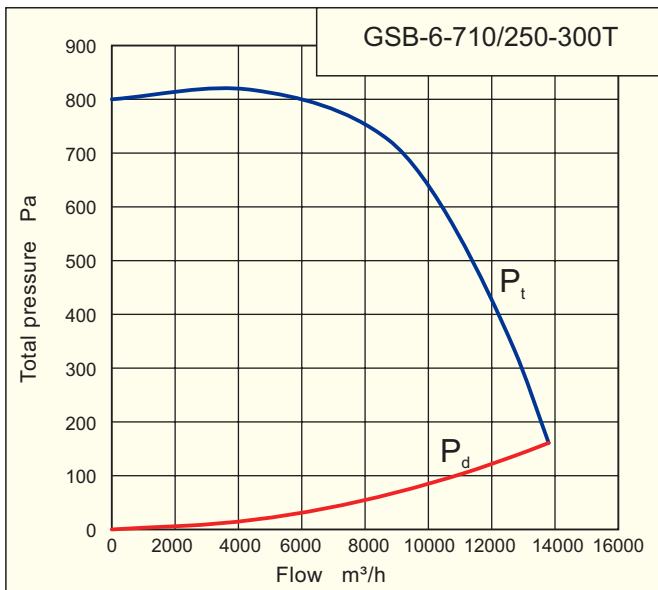
GSB / MSB fans are delivered as standard in LG 270.

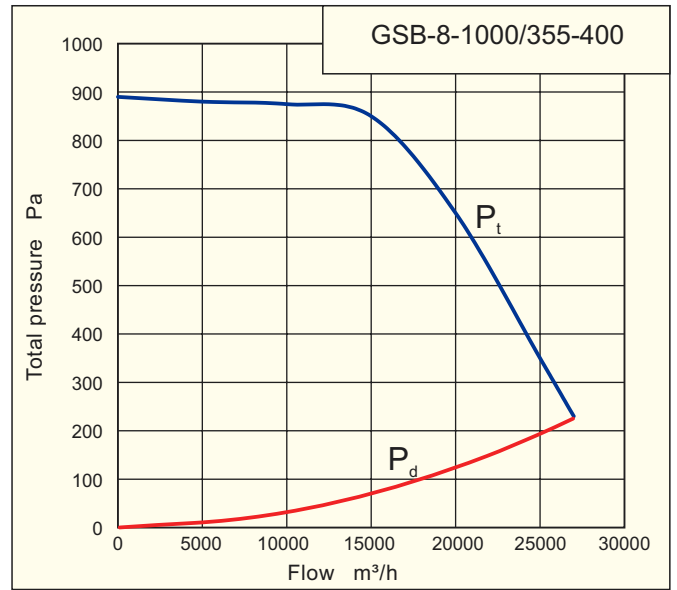
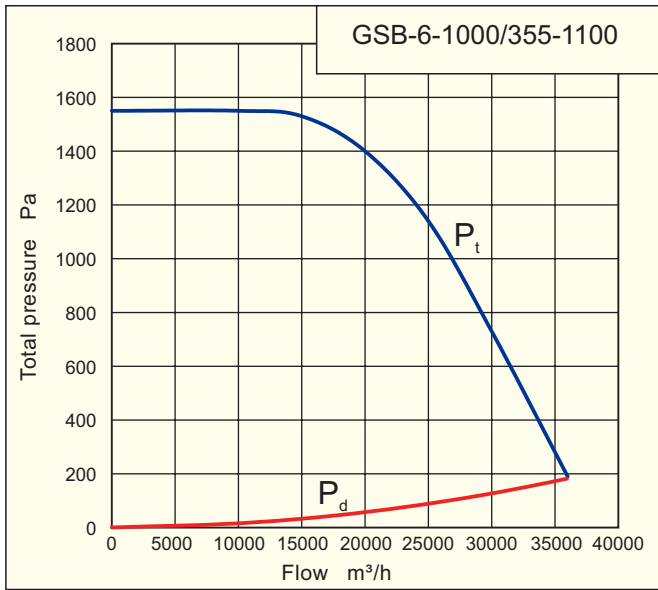
Performance curves

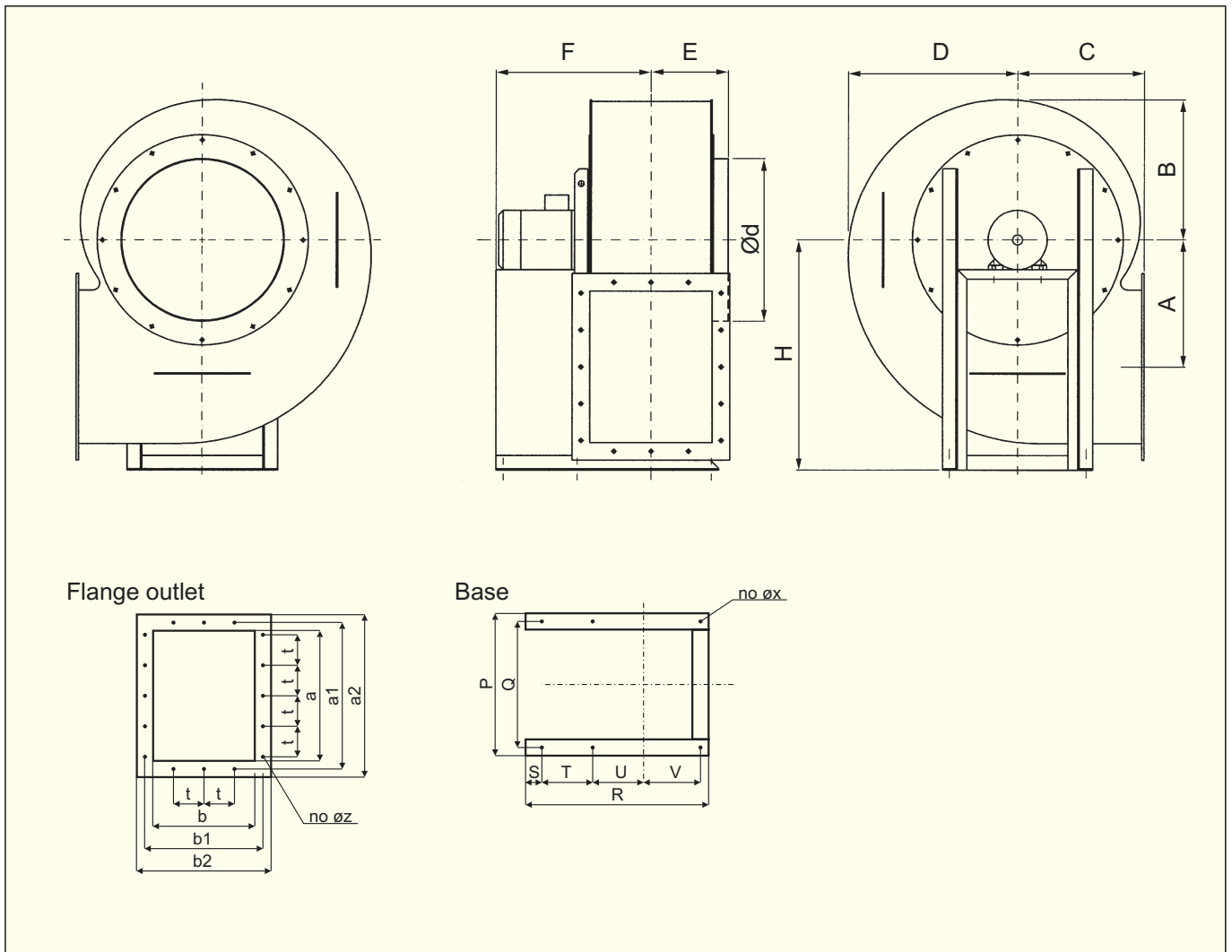












Dimensions in mm

Type	A	B	C	D	E	F	H	P	Q	R	S	T	U	V	no	øx	a x b	a1 x b1	a2 x b2	no	øz	t	ød
270	114	166	187	178	60	330	-	-	-	-	-	-	-	-	-	-	140 x 120	160 x 140	180 x 160	2+2	7	140	270
315	216	240	225	287	153	318	400	237	210	350	18	150	150	-	6	12	256 X 198	291 x 233	326 x 268	6+4	11,5	112	315
355	225	256	230	298	172	398	400	257	230	572	38	200	160	160	6	12	243 x 232	278 x 267	313 x 302	6+4	11,5	112	315
400	273	304	265	364	183	431	500	276	240	436	31	190	190	-	6	12	328 x 258	368 x 298	408 x 338	6+4	10	125	355
450	284	322	300	375	199	497	500	316	280	517	27	235	175	60	6	15	308 X 290	348 x 330	388 x 370	6+6	10	125	400
500	341	377	335	453	219	435	610	396	360	600	25	200	209.5	140.5	6	15	400 x 315	448 x 365	488 x 405	8+6	10	125	450
560	323	380	360	428	236	500	560	386	350	520	30.5	235	235	-	6	15	323 x 365	405 x 363	445 x 403	6+6	10	125	500
630	429	474	425	569	272	535	780	505	460	750	25	250	260	190	6	18	513 x 435	573 x 495	633 x 555	10+6	10	125	550
710	417	490	445	580	309	667	805	536	491	-	36	317.5	317.5	-	6	18	532 x 460	592 x 520	652 x 580	10+8	12	125	500
800	546	591	513	712	350	800	970	386	350	605	26	280	203	77	6	15	640 x 500	700 x 560	760 x 620	6+4	10	125	800
900	615	664	577	801	380	880	1080	536	491	862	26	400	245	155	6	18	720 x 560	780 x 620	840 x 680	10+4	10	125	900
1000	682	738	641	890	415	1050	1200	620	580	920	26	400	265	160	6	18	800 x 630	860 x 690	920 X 750	10+4	10	125	1000



### Construction

Single inlet belt driven centrifugal fan with spiral formed casing in steel sheet, welded and powder coated RAL9002. Impeller with backward straight self-cleaning blades in steel sheet. Casing and impellers in other materials for example stainless steel or galvanized sheet may be supplied on request.

### Motor

230/400V or 400/690V, 50Hz three-phase asynchronous motor with squirrel cage rotor. Enclosure IP55, insulation class F. Special voltage or frequency, improved enclosure IP65, explosion proof motor can be supplied on request.

Wiring diagram see page 235.

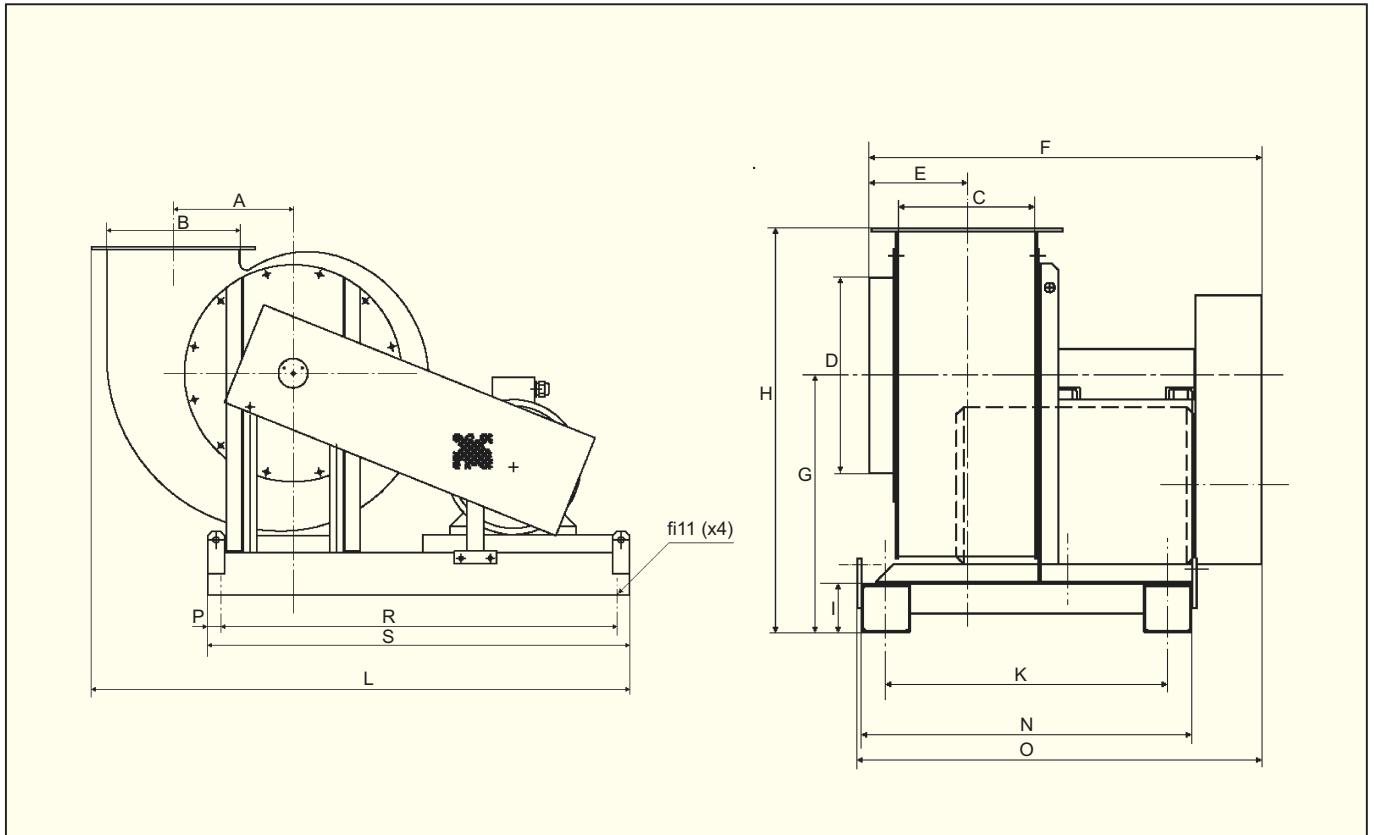
### Accessories

Inlet and outlet fittings, wire guards, dampers, etc.

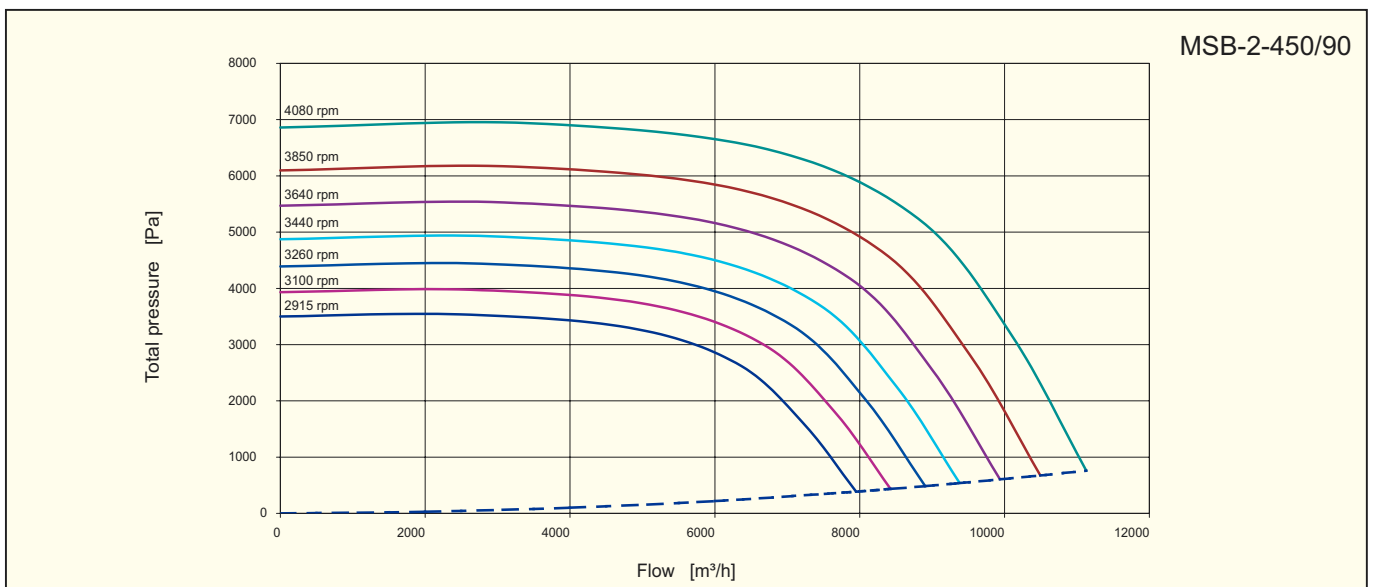
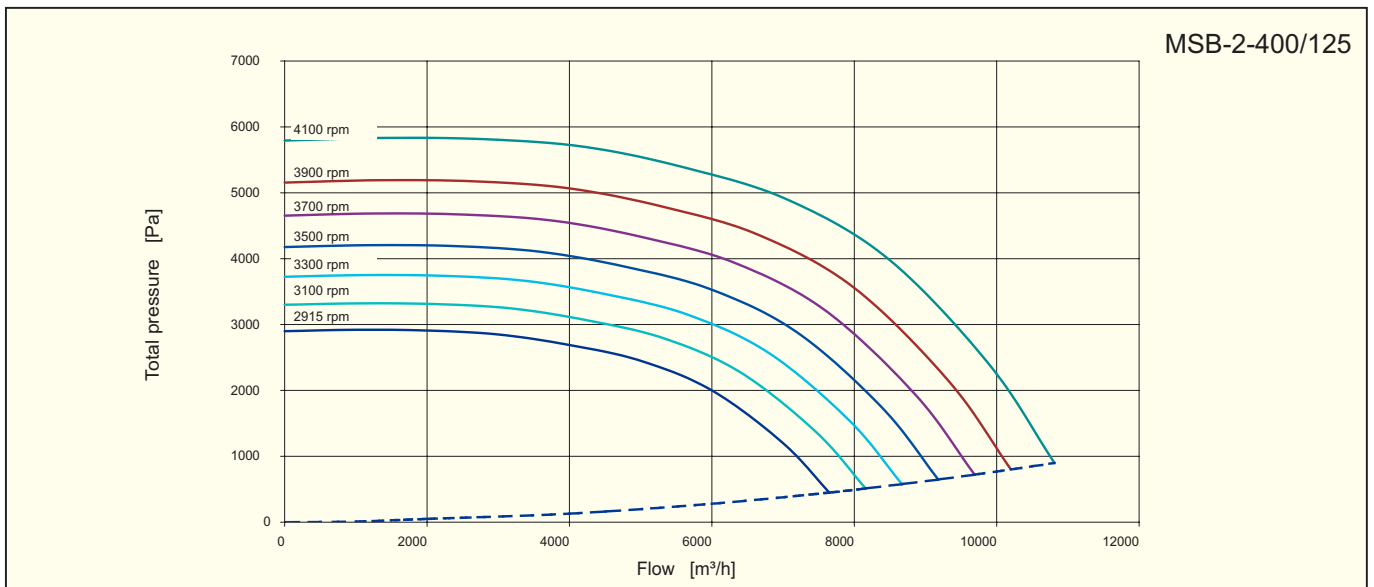
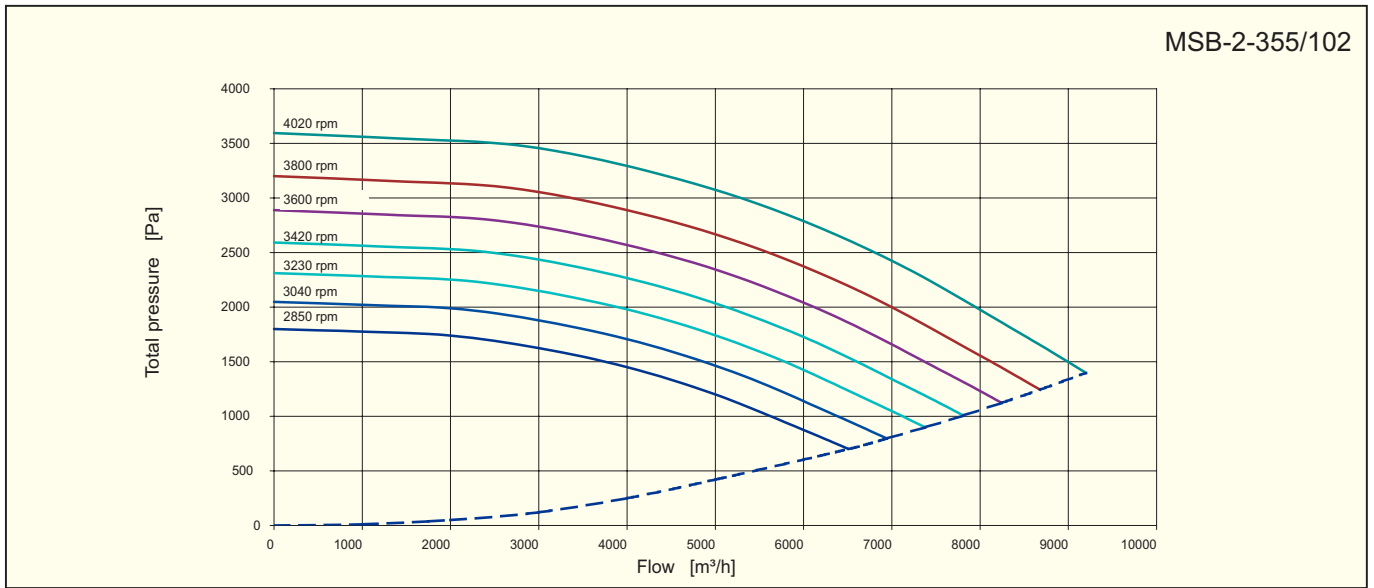


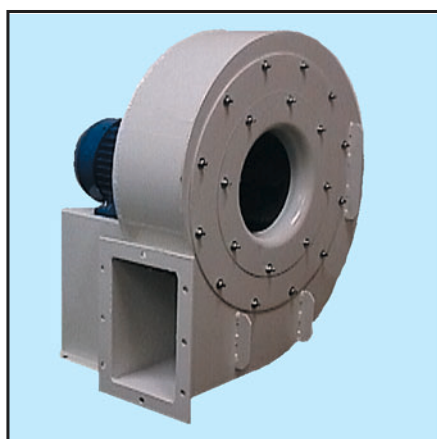
Type	Motor power kW	Speed rpm	Voltage V	Maximum current A	Maximum duty m <sup>3</sup> /h	Pressure max Pa	Weight kg	Article number
MSB-355/102-28-220T	2,2	2850	400	4,6	6500	1800	155	113364355
MSB-355/102-30-300T	3,0	3050	400	6,0	6950	2050	160	113364360
MSB-355/102-32-400T	4,0	3230	400	7,8	7350	2300	165	113364365
MSB-355/102-34-550T	5,5	3420	400	10,3	7800	2550	180	113364370
MSB-355/102-36-550T	5,5	3600	400	10,3	8250	2850	180	113364375
MSB-355/102-38-550T	5,5	3800	400	10,3	8650	3200	180	113364380
MSB-355/102-40-750T	7,5	4020	400	13,7	9200	3600	185	113364385
MSB-400/125-29-400T	4,0	2900	400	7,8	7650	2900	180	113364400
MSB-400/125-31-550T	5,5	3100	400	10,3	8150	3300	195	113364405
MSB-400/125-33-750T	7,5	3300	400	13,7	8650	3720	200	113364410
MSB-400/125-35-750T	7,5	3500	400	13,7	9180	4170	200	113364415
MSB-400/125-37-1100T	11,0	3700	400	20,2	9700	4650	220	113364420
MSB-400/125-39-1100T	11,0	3900	400	20,2	10200	5150	220	113364425
MSB-400/125-41-1500T	15,0	4100	400	26,7	10800	5800	230	113364430
MSB-450/90-29-750T	7,5	2900	400	13,7	7950	3500	210	113364450
MSB-450/90-31-1100T	11,0	3100	400	20,2	8400	3900	230	113364455
MSB-450/90-33-1500T	15,0	3260	400	26,7	8900	4300	230	113364460
MSB-450/90-35-1500T	15,0	3440	400	26,7	9350	4850	240	113364465
MSB-450/90-37-1850T	18,5	3640	400	32,2	9900	5450	255	113364470
MSB-450/90-39-1850T	18,5	3850	400	32,2	10500	6100	255	113364475
MSB-450/90-41-2200T	22,0	4080	400	39,3	11100	6850	275	113364480

Dimensions in mm



Type	A	B	C	D	E	F	G	H	I	K	L	N	O	P	R	S
355	225	243	232	315	172		425	700			1150					
400	273	328	258	355	183	800	525	800	100	575	1200	675	825	30	940	1000
450	284	308	280	400	199		525	825			1275					





**Construction**

Single inlet direct driven centrifugal fan with spiral formed casing in steel sheet, welded and powder coated RAL9002. Impeller with backward curved blades in steel sheet. Casing and impeller in other materials for example stainless steel or galvanized steel sheet may be supplied on request.

**Motor**

220-240/380-420V, 50Hz (380-420/660-690V over 3kW) three-phase or 220-240V, 50Hz single-phase asynchronous motor with squirrel cage rotor. Insulation class F, enclosure IP55. Special voltage or frequency, improved enclosure IP65, 2-speed motors and explosion proof motors can be supplied on request. Wiring diagram, see page 235.



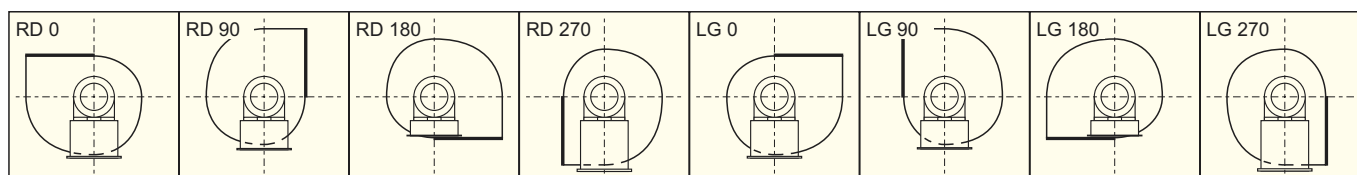
**Accessories**

Inlet and outlet fittings, wire guards, dampers, etc.

**Data**

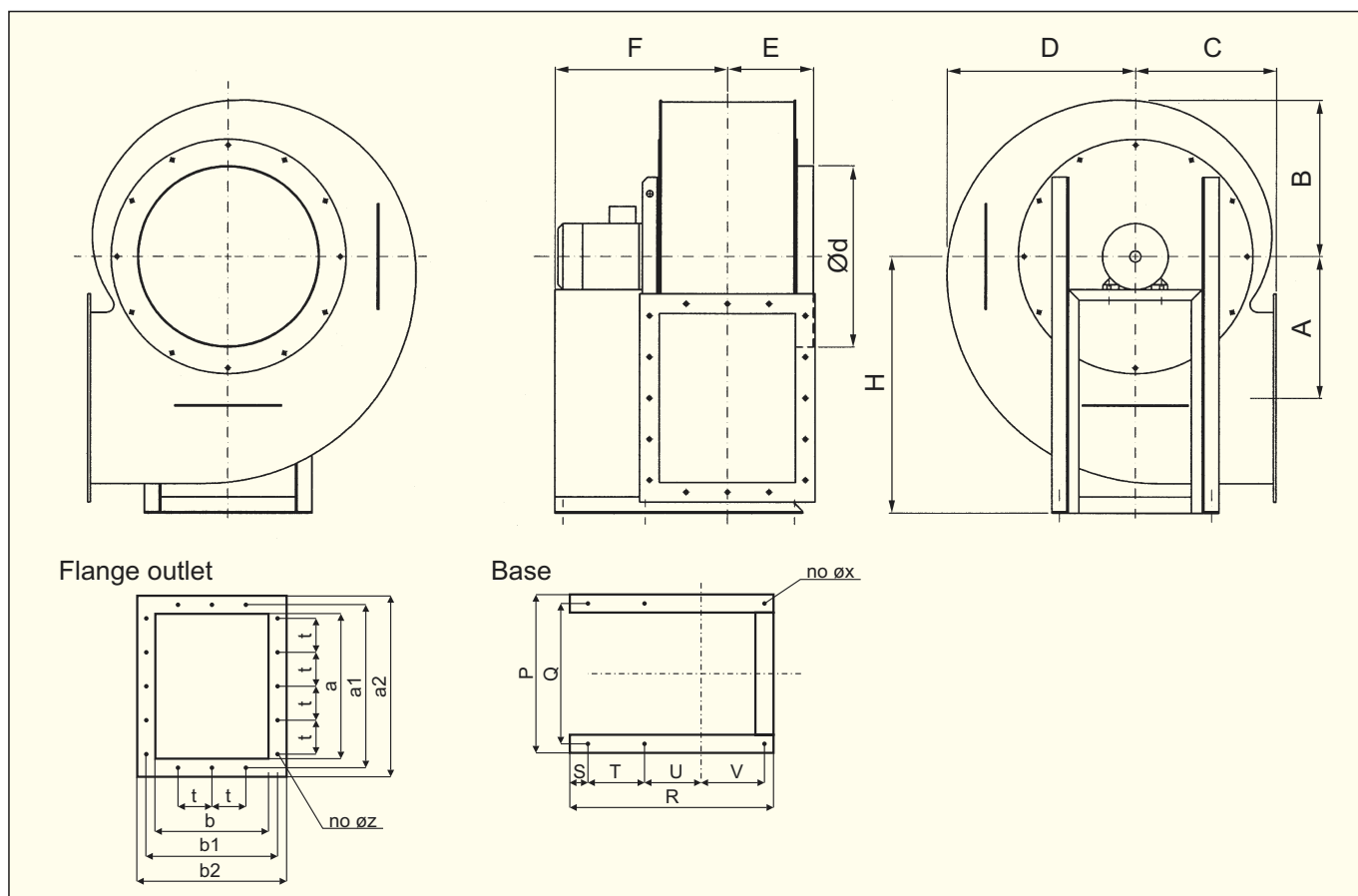
Type	Speed rpm	Motor power kW	Maximum current A	Maximum duty m³/h	Maximum pressure Pa	Sound level* dB(A)	Weight kg	Article number
HSB-2-355/53-110T	2900	1.1	2.5	1800	2100	79	57	113 365 355
HSB-2-400/67-220T	2900	2.2	4.6	4400	2700	84	67	113 365 400
HSB-2-450/75-400T	2900	4.0	7.8	5500	3400	86	75	113 365 450
HSB-2-500/85-750T	2900	7.5	14.0	8500	4200	88	125	113 365 500
HSB-2-560/95-1100T	2900	11.0	21.2	11000	5800	90	140	113 365 560
HSB-2-630/106-1850T	2900	18.5	32.0	8900	6800	95	297	113 365 630
HSB-2-710/85-2200T	2900	22.0	40.0	8500	9200	99	305	113 365 710

\* - in the middle of the performance curve.



HSB fans are supplied as a standard in LG design.

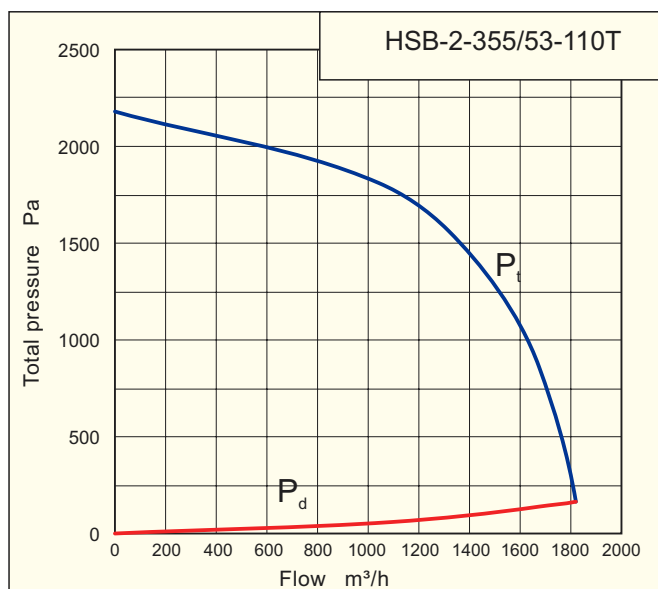


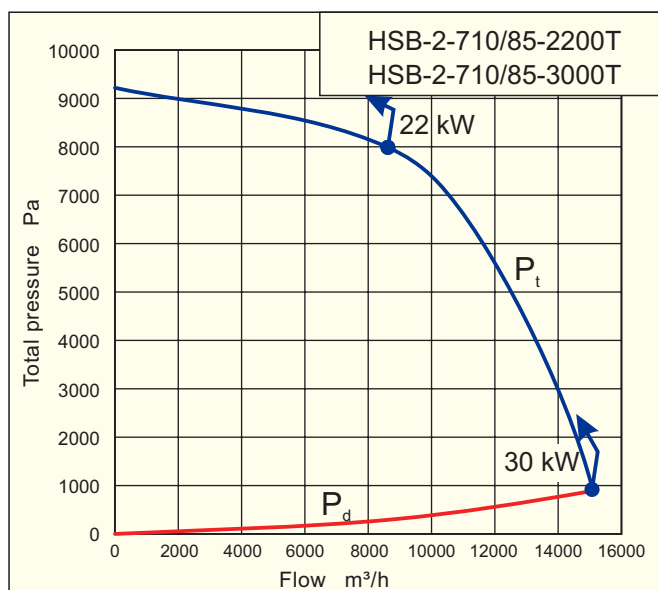
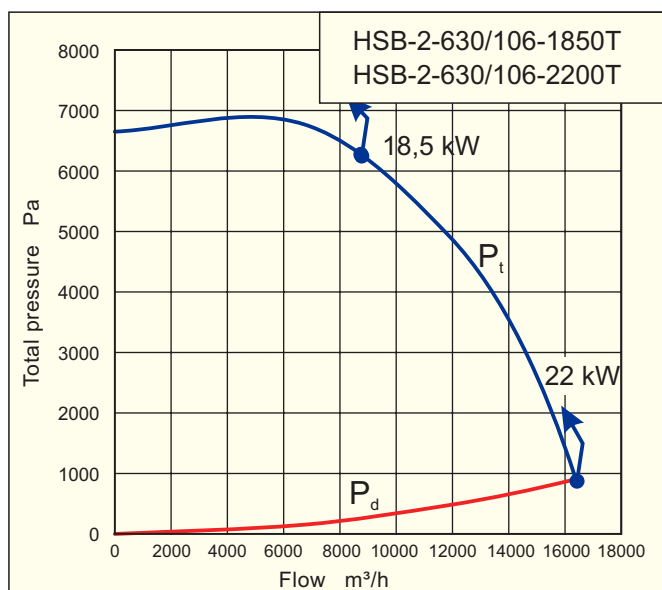
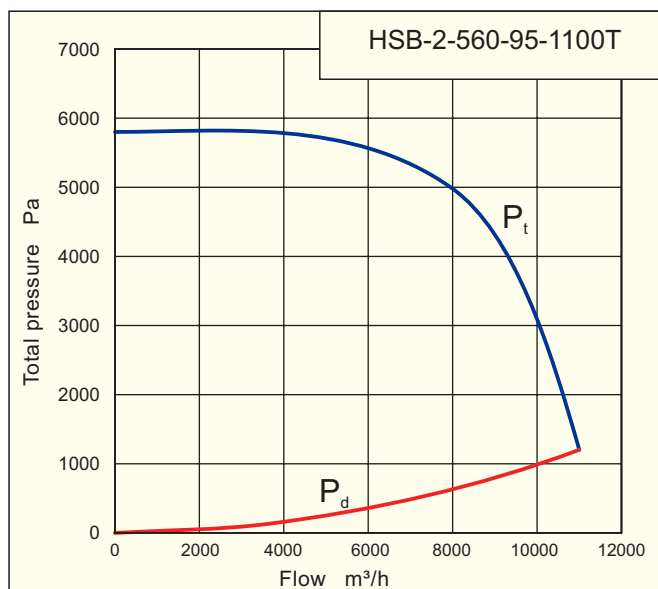
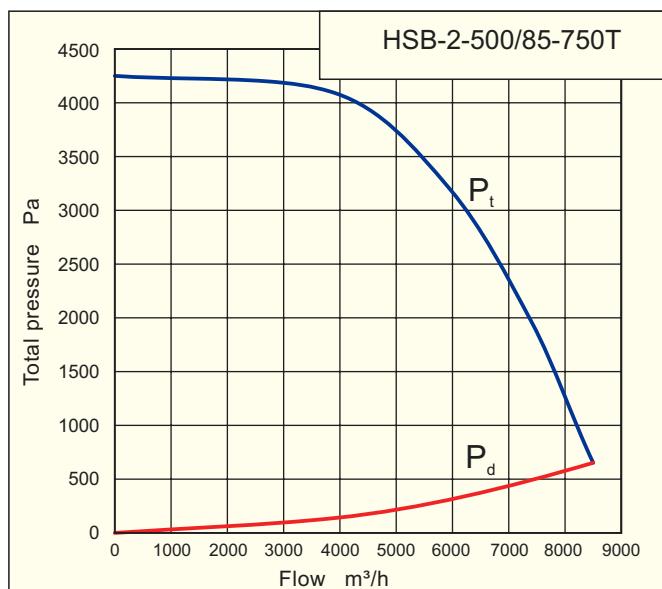
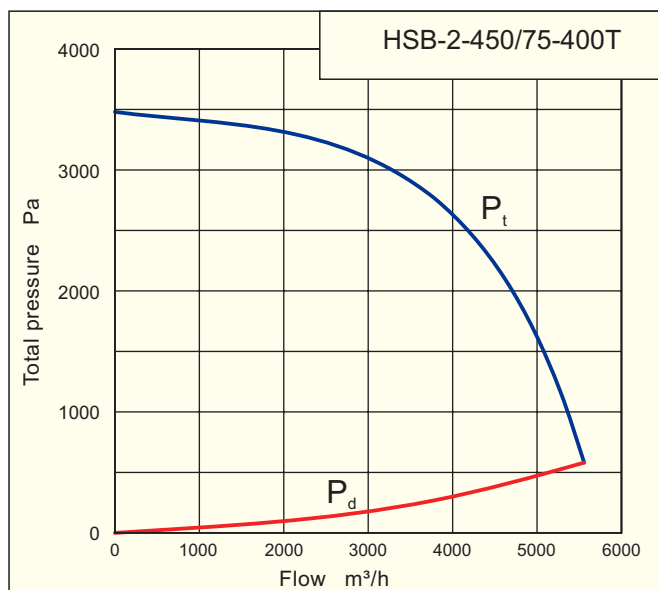
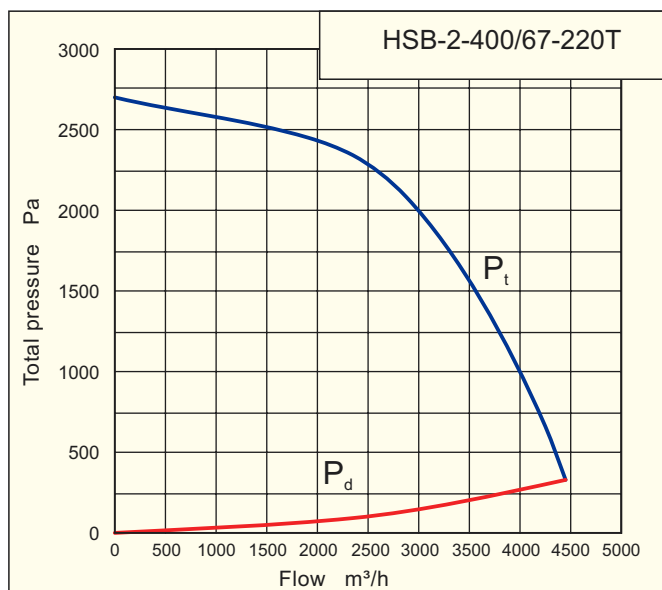


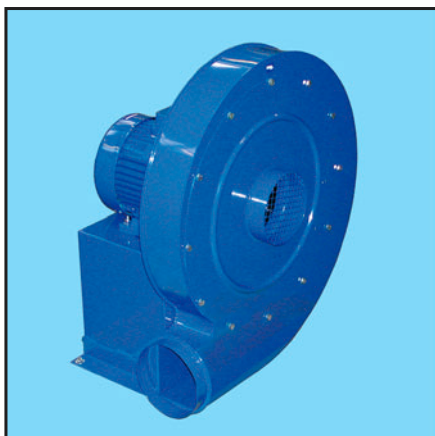
Dimensions in mm

Type	A	B	C	D	E	F	H	P	Q	R	S	T	U	V	no	øx	a x a1	a2 x b	b1 x b2	no	øz	t	ød
355	225	256	230	298	123	300	400	257	230	230	38	150	110.5	99.5	4	12	243 x 278	313 x 133	168 x 203	6+4	8	112	200
400	273	304	265	364	135	361	500	276	240	436	31	190	140	50	6	12	328 x 368	408 x 158	198 x 238	6+4	10	125	250
450	284	322	300	375	142	437	500	316	280	517	27	235	175	60	6	15	308 x 348	388 x 170	210 x 250	6+4	10	125	315
500	341	377	335	453	151	532	610	396	360	600	25	200	306.5	43.5	6	15	408 x 448	488 x 189	229 x 269	8+4	10	125	315
560	323	380	360	428	164	510	560	386	350	605	25.5	280	203	77	6	15	323 x 363	403 x 211	251 x 291	6+4	10	125	355
630	429	474	425	569	174	629	780	505	460	750	25	250	354	96	6	18	513 x 573	633 x 234	294 x 354	10+4	10	125	400
710	417	490	445	580	182	682	805	536	491	862	26	400	245	155	6	18	532 x 592	652 x 210	270 x 330	10+4	12	125	500

Performance curves







## Construction

Single inlet centrifugal fan with spiral formed casing, impeller with self cleaning blades.

Fan GST-2-180/00 has impeller and casing of stainless acid proof steel and temperature barrier which allows max. temperature 150°C.

## Motor

220-240/380-420V, 50Hz (380-420/660-690V above 3kW) three-phase asynchronous motor. Enclosure IP55, insulation class F. Special voltage or frequency, improved enclosure IP65 and explosion proof motor can be supplied on request.

Wiring diagram, see page 235.

## Accessories

Inlet and outlet fittings, wire guard, etc.



GST-2-180/00

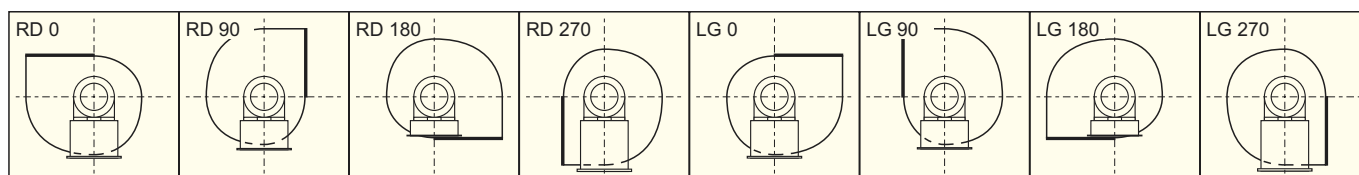


80°C

## Data

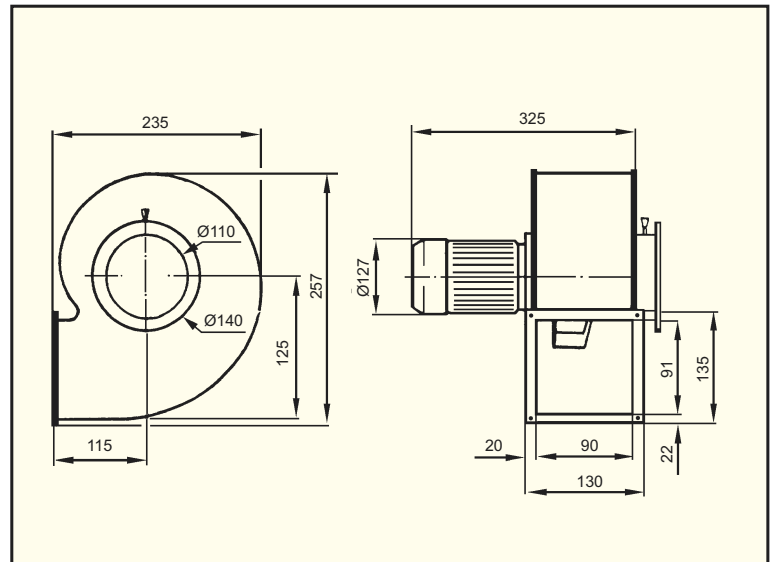
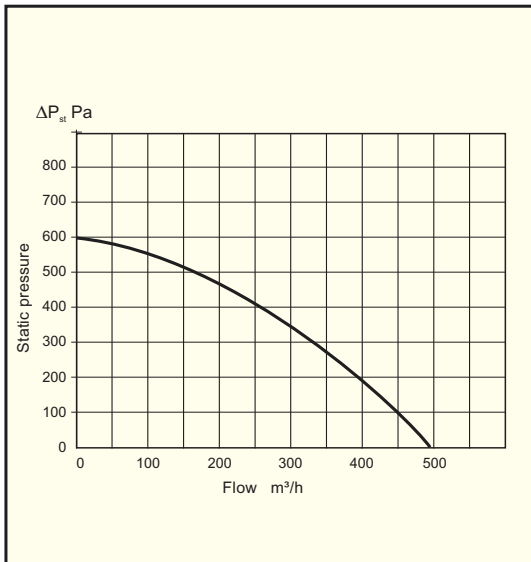
Type	Motor power kW	Voltage V	Maximum current A	Maximum duty m³/h	Pressure (max) Pa	Sound level * dB(A)	Weight kg	Article number
GST-2-180/00-018T	0,18	230/400	1,07/0,62	500	600	77	7	113 211 001
GST-2-180/75-055T	0,55	230/400	2,37/1,37	950	600	79	9	113 350 275
GST-2-440/40-110T	1,10	230/400	4,20/2,45	580	3900	87	15	113 371 040
GST-2-440/40-220T	2,20	230/400	8,30/4,80	1600	3900	87	30	113 371 140
GST-2-520/40-400T	4,00	400/690	7,80/4,45	2800	5100	92	50	113 371 601
GST-2-520/40-550T	5,00	400	10,90	3500	5100	94	55	113 371 620
GST-2-600/40-750T	7,50	400	14,00	5200	7150	94	83	113 371 640
GST-2-600/40-1100T	11,00	400	21,20	5900	7150	98	108	113 371 660

\* - in the middle of the performance curve.

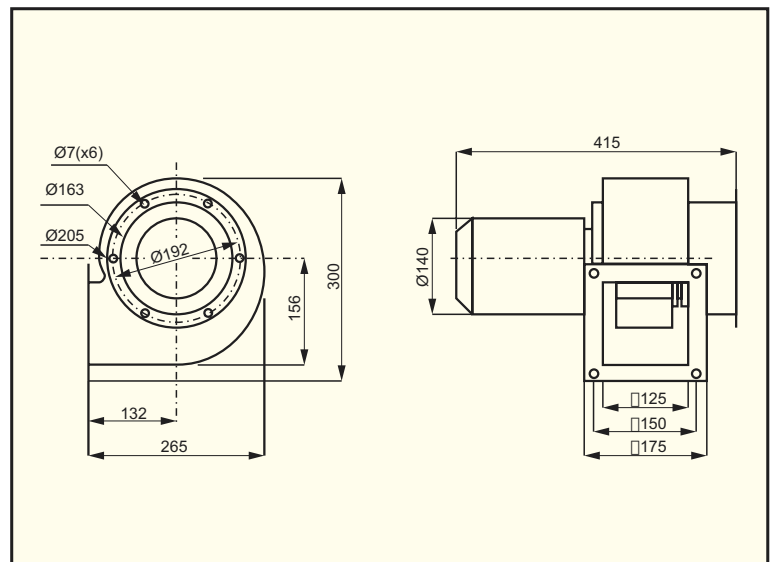
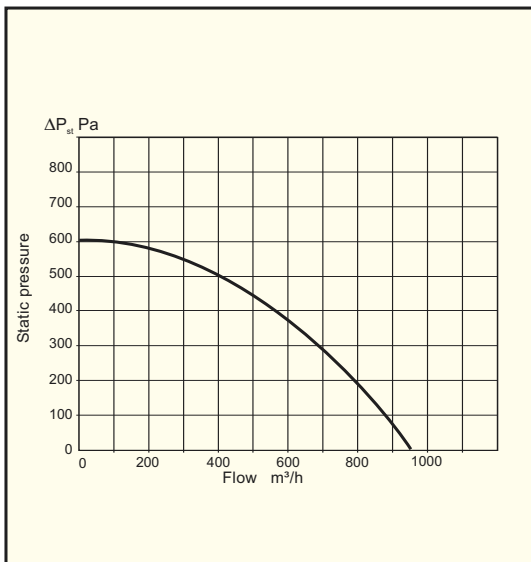


Performance curves

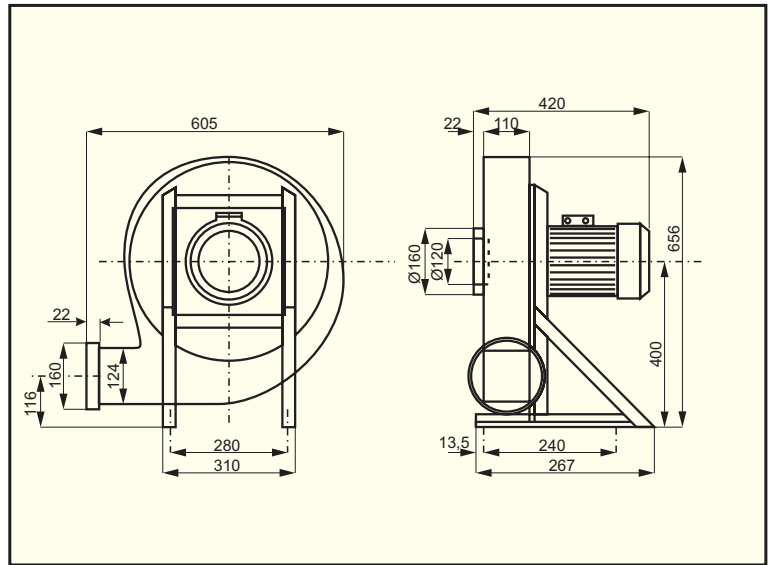
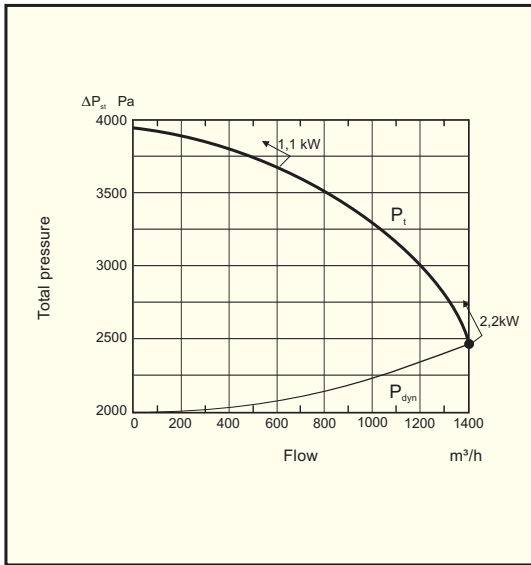
**GST-2-180/00-018T**



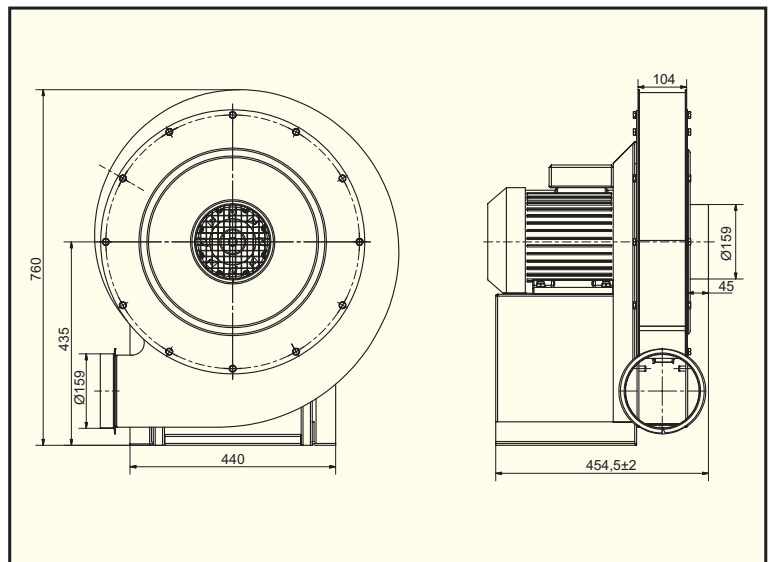
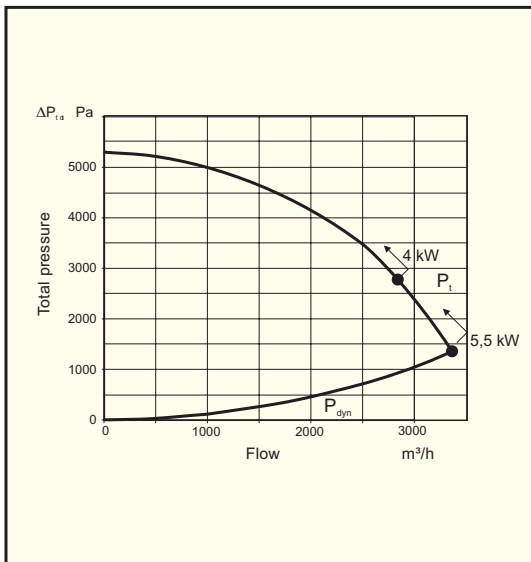
**GST-2-180/75-055T**



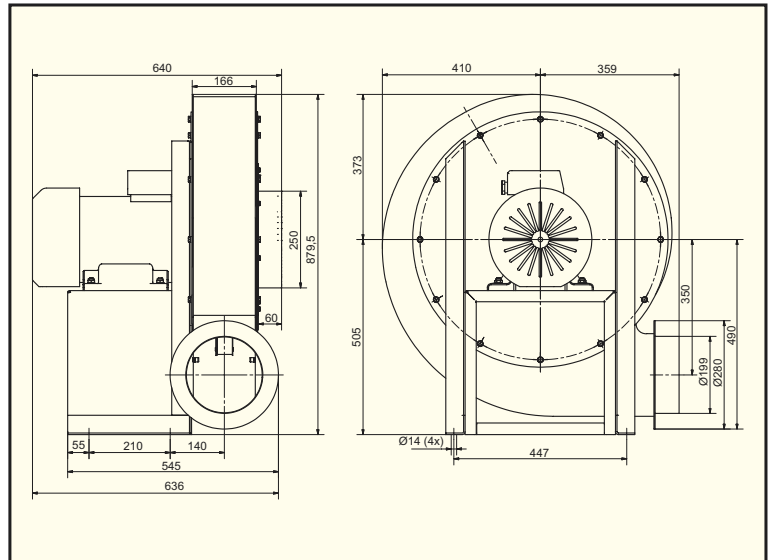
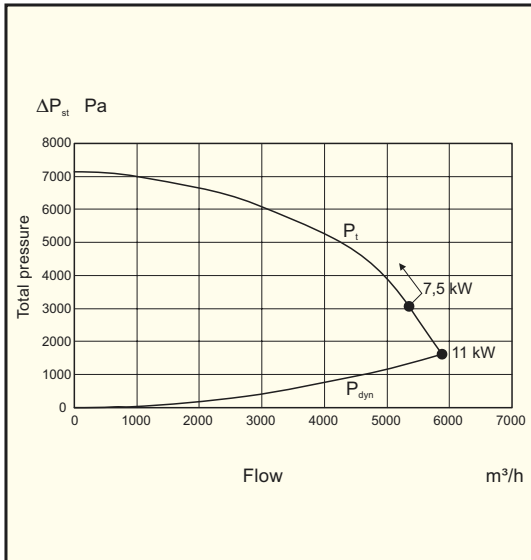
**GST-2-440/40 - □T**



**GST-2-520/40 - □T**



**GST-2-600/40 - □T**





### Construction

Radial bladed impeller of steel sheet riveted and welded construction, dynamically balanced. The casing comprises two sheet steel pressings bolted together to enclose the impeller. The motor pedestal has a pressed steel front plate to which the casing is bolted at the desired angle. The fan is designed for non-aggressive and non-explosive gases. Design for corrosive gases, higher running temperatures, etc. can be supplied on request.

### Motor

230/400V, 50Hz (400/690V, 50Hz) three-phase asynchronous motor, suitable for speed control with frequency control. Insulation class F, enclosure IP55. Special voltage or frequency, improved enclosure IP65, 2-speed motors and explosion proof motors can be supplied on request. Wiring diagram, see page 235.



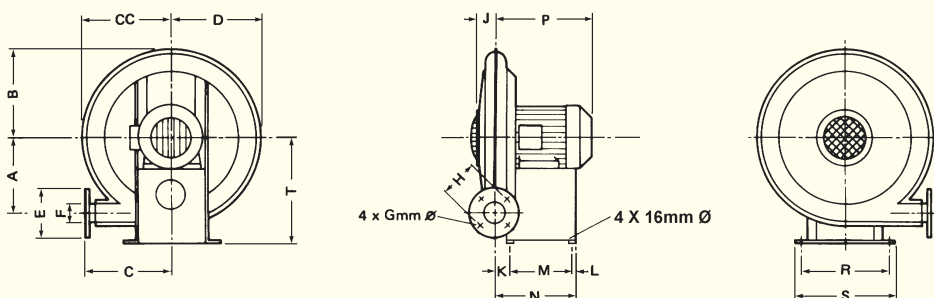
### Accessories

Inlet flanges, filter and silencers.

### Dimensions in mm

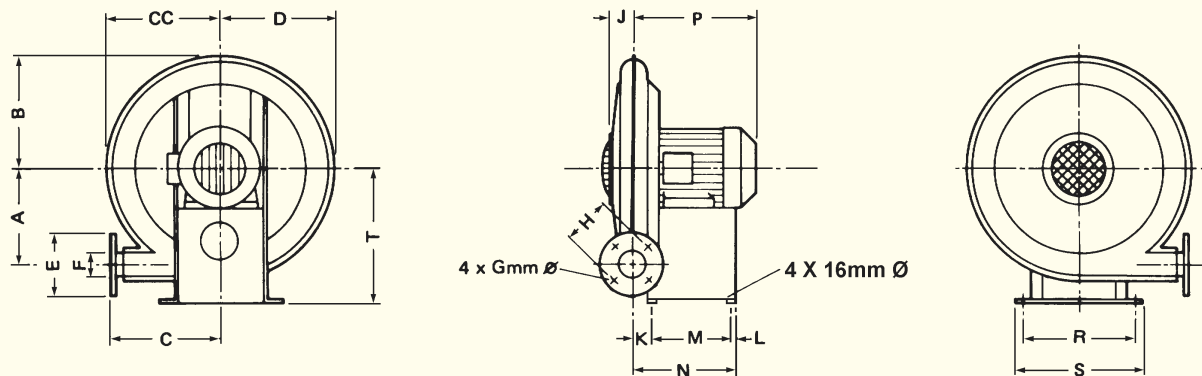
RO	R45	R90	R135	R180	R225	R270	LO	L45	L90	L135	L180	L225	L270

### Outlet Ø50, Ø65, Ø75



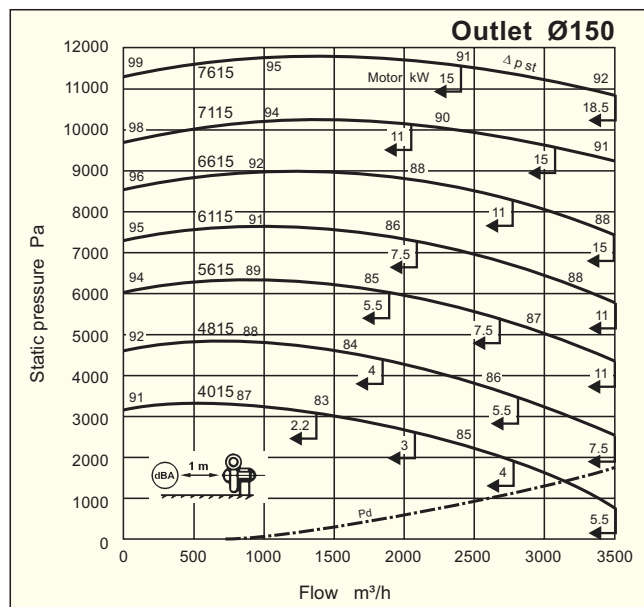
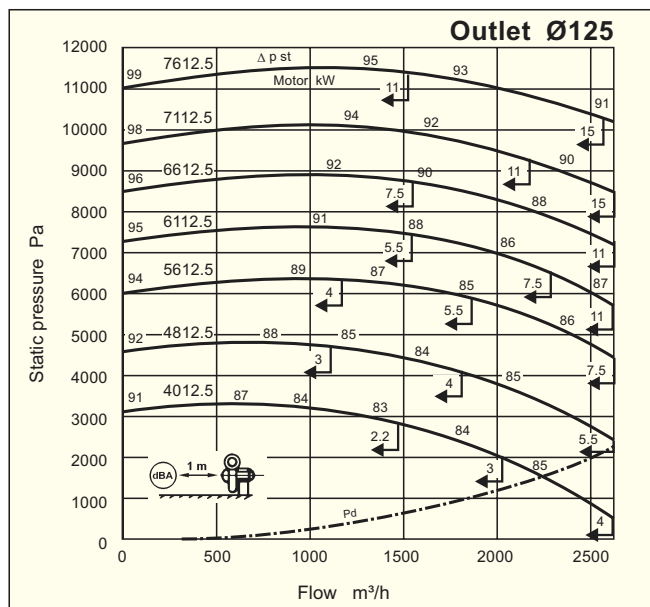
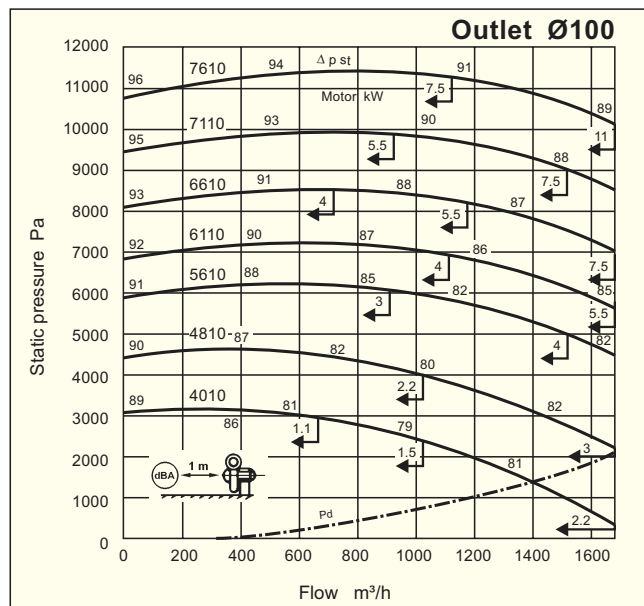
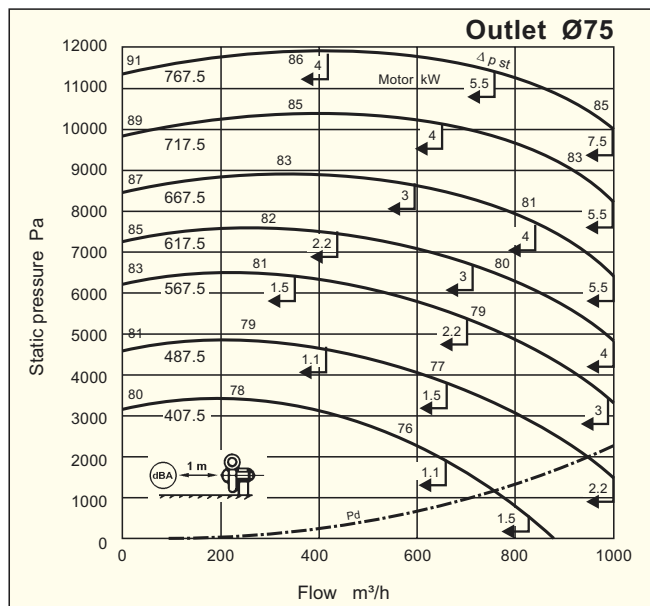
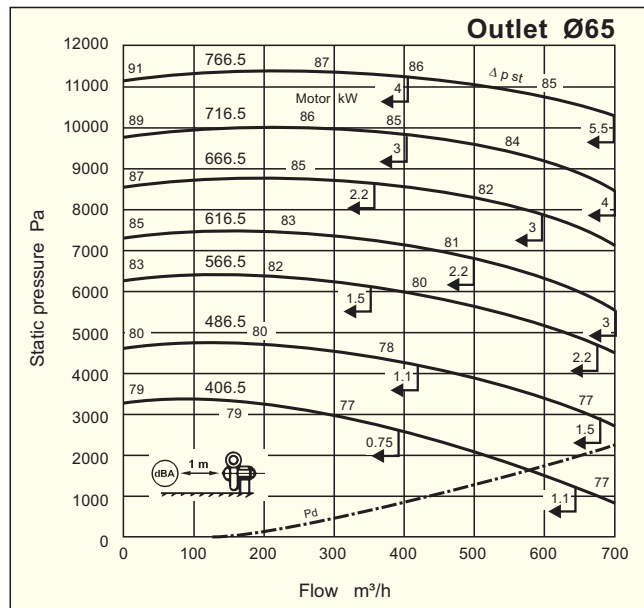
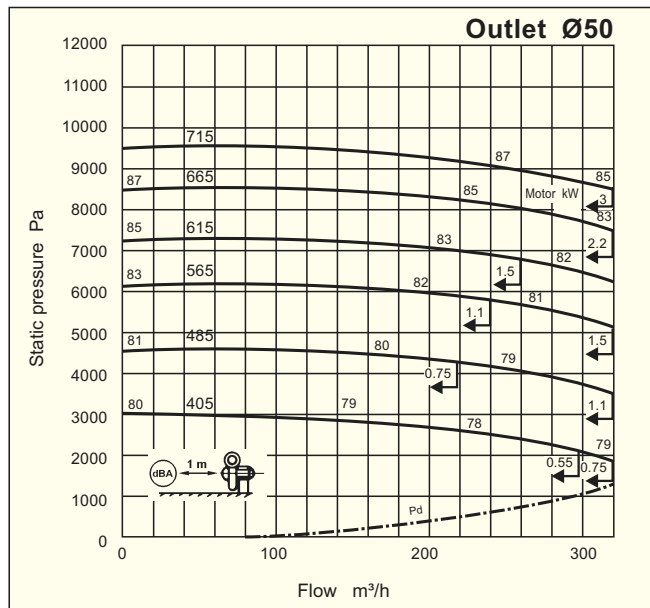
Type	A	B	C	CC	D	E	F	G	H	J	K	L	Motor kW	M	N	P	R	S	T	Weight kg
40 5						140	50	11	108				0.55	153	235	267	267	305	362	31
40 6.5	260	277	260	265	290	140	65	11	108	50	57	25	0.75/1.1	153	235	272	267	305	372	35
40 7.5						160	75	11	127				1.5	204	286	287	318	356	382	38
48 5						140	50	11	108				0.75/1.1	153	235	272	267	305	385	41
48 6.5	298	318	288	304	330	140	65	11	108	50	57	25	1.5	204	286	287	318	356	395	44
48 7.5						160	75	11	127				2.2	204	286	315	318	356	395	46
56 5						140	50	11	108				1.1	153	235	272	267	305	428	46
													1.5	204	286	287	318	356	438	49
56 6.5	337	356	327	343	368	140	65	11	108	50	57	25	2.2	204	286	315	318	356	438	51
													3	204	286	344	318	356	448	59
													4	204	286	344	318	356	460	68
56 7.5						160	75	11	127				5.5/7.5	241	324	432	368	406	468	81
61 5						140	50	11	108				1.5	204	286	287	318	356	457	54
													2.2	204	286	315	318	356	457	56
61 6.5	362	381	352	368	394	140	65	11	108	50	57	25	3	204	286	344	318	356	467	64
													4	204	286	384	318	356	479	73
61 7.5						160	75	11	127				5.5/7.5	241	324	432	368	406	479	81
66 5						140	50	11	108				1.5	204	286	287	318	356	480	59
													2.2	204	286	315	318	356	480	61
66 6.5	387	406	377	393	419	140	65	11	108	50	57	25	3	204	286	344	318	356	490	70
													4	204	286	384	318	356	502	79
66 7.5						160	75	11	127				5.5/7.5	241	324	432	368	406	480	92
71 5						140	50	11	108				3	204	286	344	318	356	499	80
71 6.5	413	432	403	419	445	140	65	11	108	50	57	25	4	204	286	384	318	356	511	89
71 7.5						160	75	11	127				5.5/7.5	241	324	432	368	406	499	102
76 6.5						140	65	11	108				4	204	286	384	318	356	525	99
76 7.5	439	457	429	445	470	160	75	11	127	50	57	25	5.5/7.5	241	324	432	368	406	525	112

Outlet Ø100, Ø125, Ø150



Type	A	B	C	CC	D	E	F	G	H	J	K	L	Motor kW	M	N	P	R	S	T	Weight kg
40 10	275	295	260	274	315	197	100	11	152	50	75	25	1.1	153	253	290	267	305	400	38
													1.5	203	303	317	318	356	410	41
													2.2	203	303	330	318	356	410	43
48 10	314	334	297	313	355	197	100	11	152	50	75	25	1.5	203	303	317	318	356	438	48
													2.2	203	303	330	318	356	438	50
													3	203	303	360	318	356	448	58
													4	203	303	360	318	356	460	67
													5.5/7.5	241	341	430	368	406	438	80
56 10	352	372	335	351	393	197	100	11	152	50	75	25	3	203	303	360	318	356	467	65
													4	203	303	380	318	356	479	74
													5.5/7.5	241	341	430	368	406	480	87
61 10	378	397	360	376	418	197	100	11	152	50	75	25	3	203	303	360	318	356	490	73
													4	203	303	380	318	356	490	82
													5.5/7.5	241	341	430	368	406	499	95
66 10	403	422	386	401	443	197	100	11	152	50	75	25	4	203	303	380	318	356	525	92
													5.5/7.7	241	341	430	368	406	525	105
71 10	429	447	410	426	469	197	100	11	152	50	75	25	5.5/7.5	241	341	430	368	406	550	116
													11	343	443	563	432	470	550	158
76 10	454	472	436	451	494	197	100	11	152	50	75	25	7.5	241	341	430	368	406	570	127
													11	343	443	563	432	470	570	169
40 12.5 40 15	286	305	264	280	330	232	125	11	191	60	111	32	2.2	181	315	342	311	356	435	51
							150	11	216				3	181	315	372	311	356	435	60
							150	11	216				4	181	315	393	311	356	435	69
48 12.5 48 15	324	343	302	318	368	232	125	11	191	60	111	32	3	181	315	372	311	356	464	71
							150	11	216				4	181	315	393	311	356	464	80
							150	11	216				5.5/7.5	200	353	441	362	406	464	93
56 12.5 56 15	362	381	339	355	406	232	125	11	191	60	111	32	4	181	315	393	311	356	502	91
							150	11	216				5.5/7.5	200	353	441	362	406	502	104
							150	11	216				11/15	251	455	572	425	470	502	146
61 12.5 61 15	387	406	365	381	432	232	125	11	191	60	111	32	5.5/7.5	200	353	441	362	406	527	111
							150	11	216				11/15	251	455	572	425	470	527	153
66 12.5 66 15	413	432	390	406	457	232	125	11	191	60	111	32	5.5/7.5	200	353	441	362	406	552	122
							150	11	216				11/15	251	455	572	425	470	552	164
71 12.5 71 15	438	457	416	432	482	232	125	11	191	60	111	32	7.5	200	353	441	362	406	578	133
							150	11	216				11/15	251	455	572	425	470	578	175
							150	11	216				18.5	271	495	614	425	470	578	194
76 12.5 76 15	464	464	441	457	508	232	125	11	191	60	111	32	11/15	251	455	572	425	470	603	187
							150	11	216				18.5	271	495	614	425	470	603	206
							150	11	216				22	271	495	630	489	534	603	233

Performance curves







## Construction

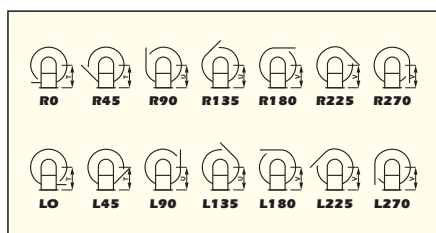
Radial bladed impeller of steel sheet riveted and welded construction, dynamically balanced. Casing of heavy sheet steel welded construction, stiffened with angle section and having an integrated motor pedestal. Design for corrosive gases, higher running temperatures, belt drive, etc. can be supplied on request.

## Motor

230/400V, 50Hz (400/690V, 50Hz) three-phase asynchronous motor, suitable for speed control with frequency control. Insulation class F, enclosure IP55. Special voltage or frequency, improved enclosure IP65, 2-speed motors and explosion proof motors can be supplied on request. Wiring diagram, see page 235.

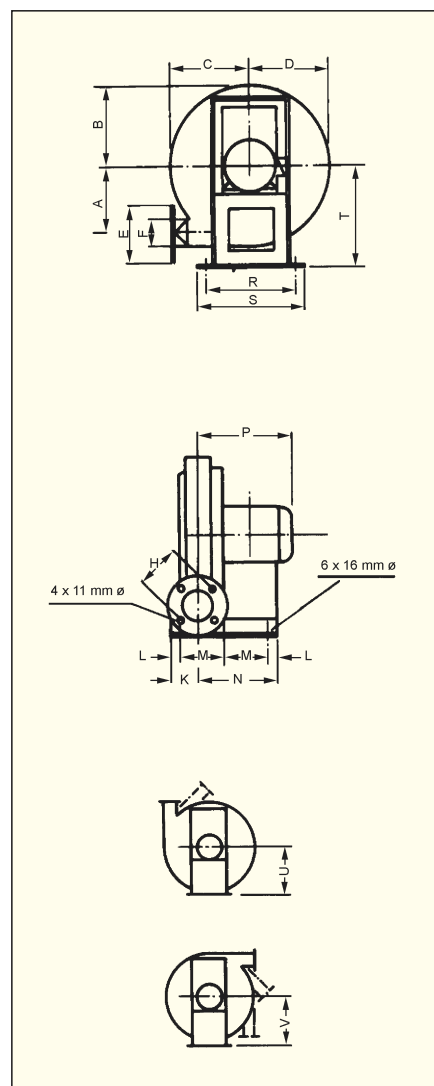
## Accessories

Inlet flanges, inlet filter, silencer and inlet guards.

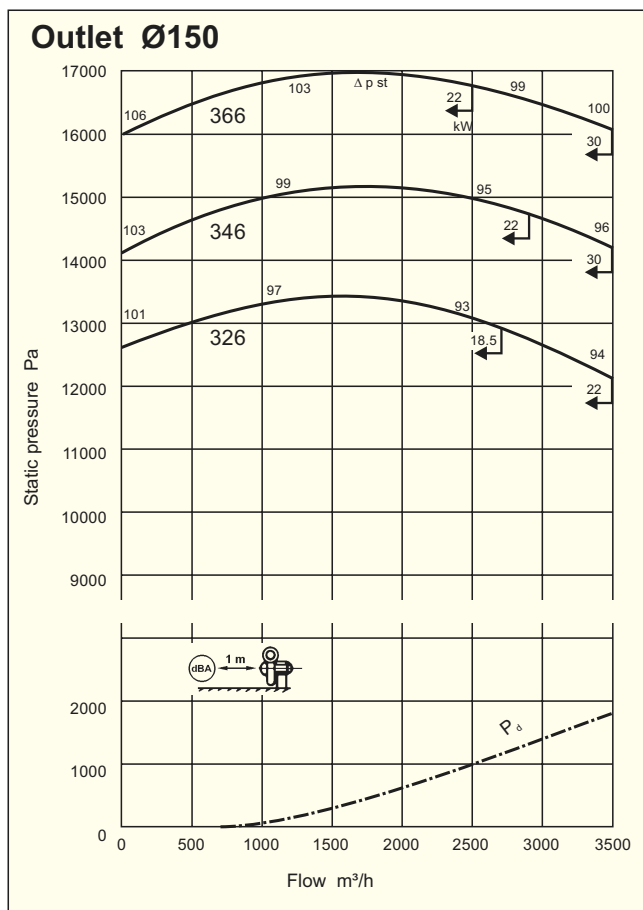
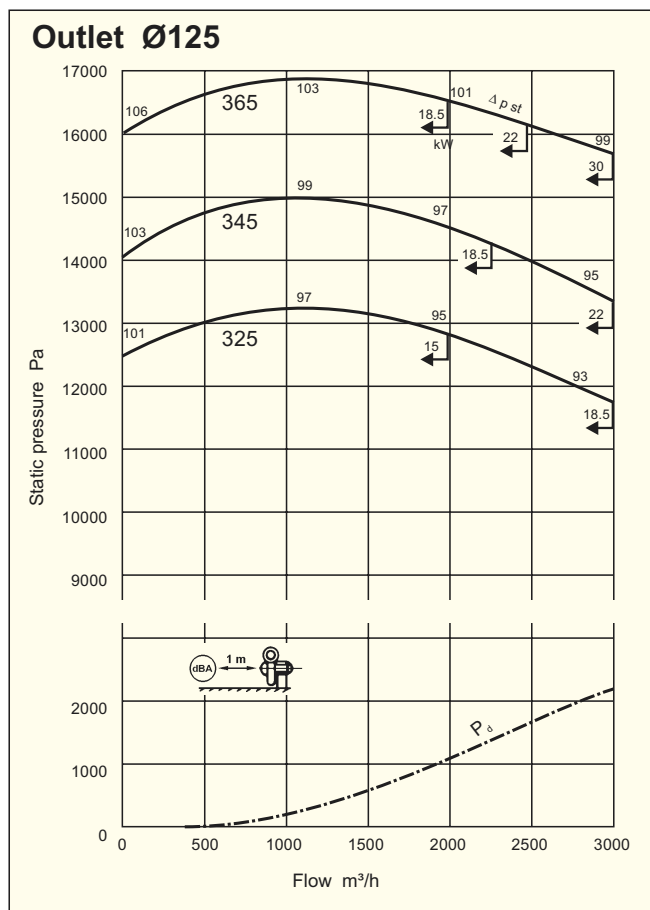
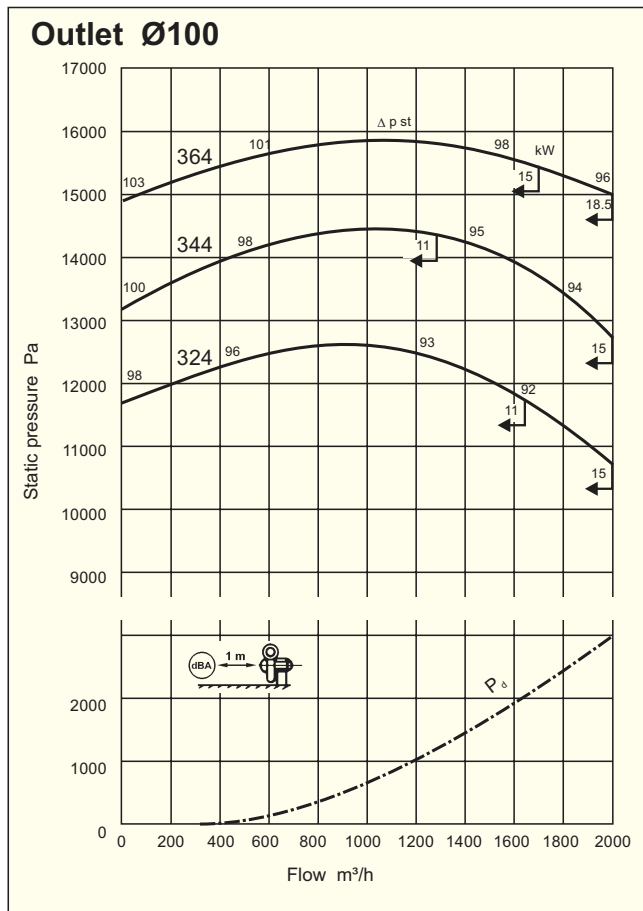
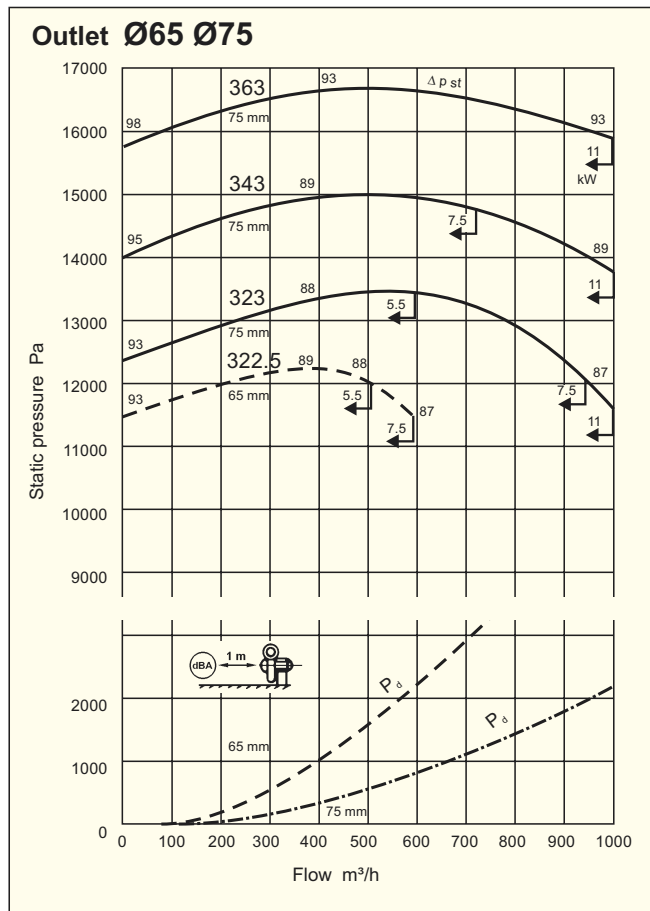


## Dimensions in mm Outlet Ø65, Ø75, Ø100, Ø125, Ø150

Type	A	B	C	D	E	F	H	K	L	Motor kW	M	N	P	R	S	T	U	V	Weight kg
322,5	464	467	454	479	140	65	108	86	32	5.5	174	326	414	362	406	565	514	489	123
										7.5	174	326	414	362	406	565	514	489	123
323	464	467	454	479	160	75	127	86	32	5.5	174	326	414	362	406	565	514	489	123
										7.5	174	326	414	362	406	565	514	489	123
										11	226	430	530	425	470	565	514	489	123
343	489	492	479	505	160	75	127	86	32	7.5	174	326	414	362	406	590	539	514	134
										11	226	430	530	425	470	590	539	514	176
363	515	518	505	530	160	75	127	86	32	11	226	430	530	425	470	616	565	540	189
324	479	483	462	505	197	100	152	100	32	11	240	444	545	425	470	600	540	515	181
										15	240	444	545	425	470	600	540	515	181
344	504	508	487	530	197	100	152	100	32	11	240	444	545	425	470	626	566	540	193
										15	240	444	545	425	470	626	566	540	193
364	530	534	513	556	197	100	152	100	32	15	240	444	545	425	470	650	590	565	206
										18.5	258	480	545	425	470	650	590	565	225
325	489	492	467	518	232	125	191	111	32	15	251	465	555	425	470	629	540	515	200
										18.5	269	491	555	425	470	629	540	515	219
345	514	518	492	543	232	125	191	111	32	18.5	269	491	555	425	470	655	565	540	232
										22	269	491	622	489	534	655	565	540	259
										18.5	269	491	555	425	470	680	590	565	246
365	540	543	519	568	232	125	191	111	32	22	269	491	622	489	534	680	590	565	273
										30	306	565	700	489	534	680	590	565	335
										18.5	269	491	555	425	470	629	540	515	219
326	489	492	467	518	255	150	216	111	32	22	269	491	622	489	534	629	540	515	246
										18.5	269	491	555	425	470	655	565	540	232
346	514	518	492	543	255	150	216	111	32	22	269	491	622	489	534	655	565	540	259
										30	306	565	700	489	534	655	565	540	321
										18.5	269	491	555	425	470	680	590	565	273
366	540	543	519	568	255	150	216	111	32	22	269	491	622	489	534	680	590	565	273
										30	306	565	700	489	534	680	590	565	335



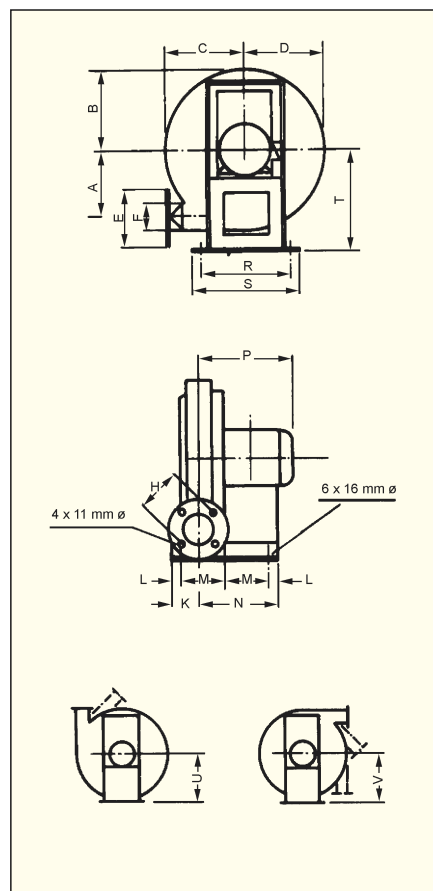
Performance curves



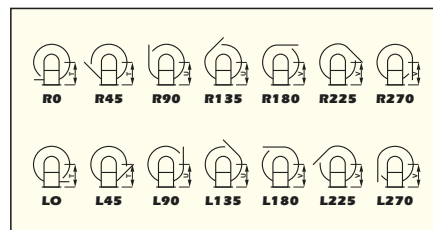
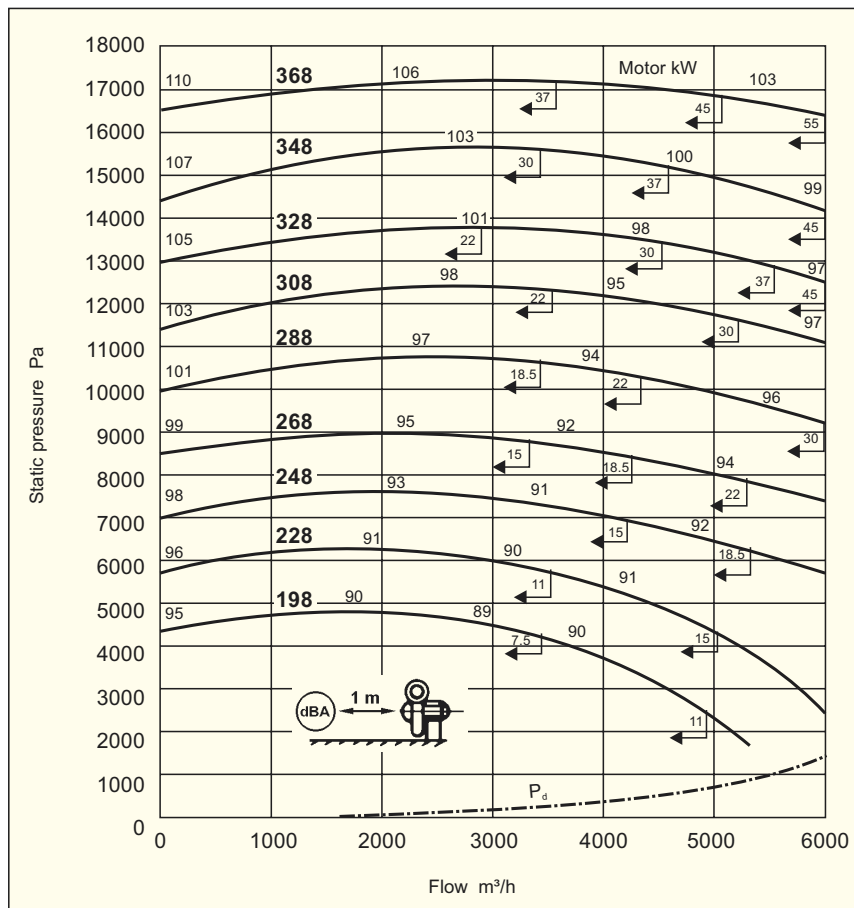
## Dimensions in mm

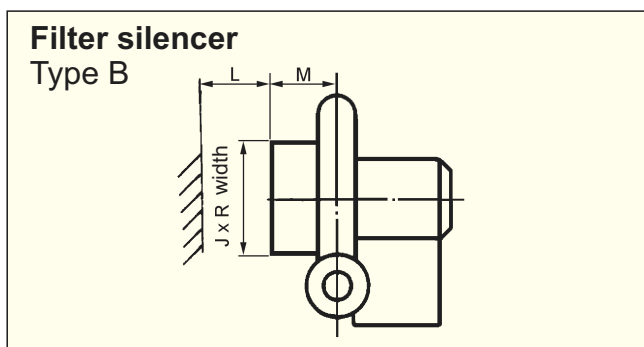
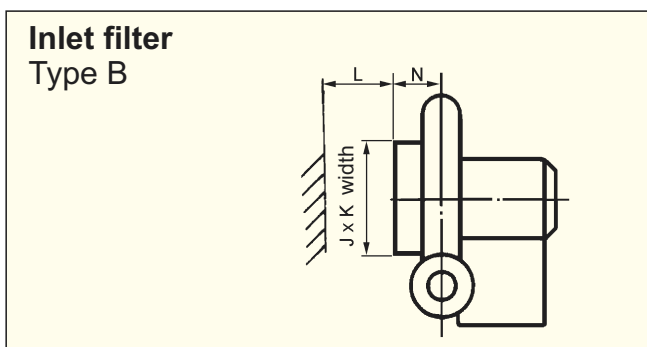
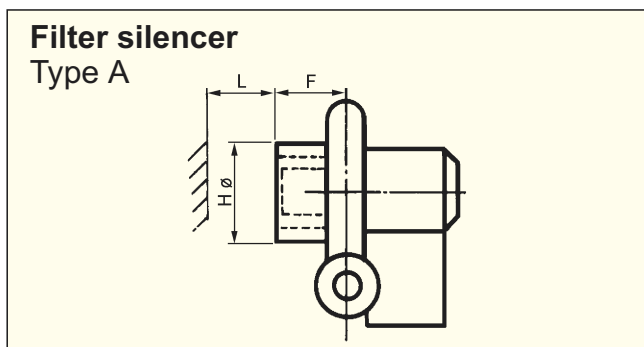
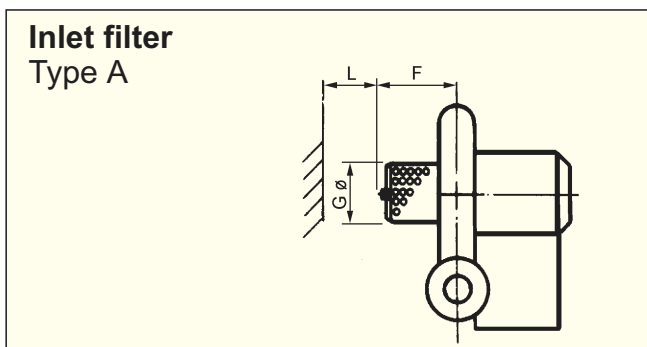
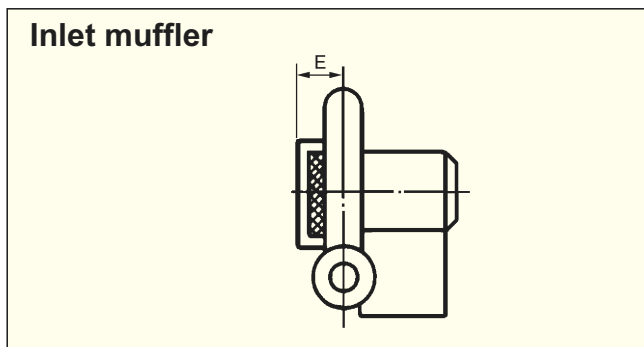
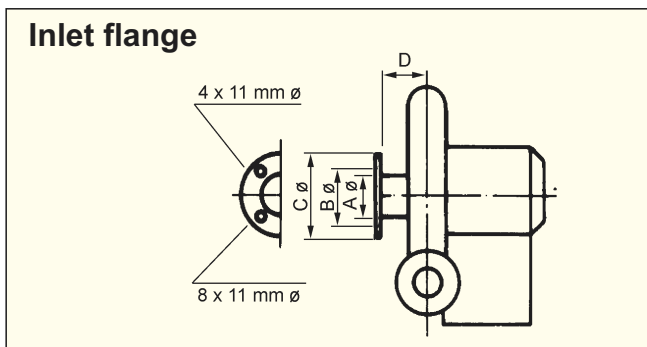
## Outlet Ø200

Typ	A	B	C	D	E	F	H	K	L	Motor kW	M	N	P	R	S	T	U	V	Weight kg
198	350	354	320	386	318	200	273	130	32	7.5	219	372	460	362	406	535	426	395	120
										11	270	473	591	425	470	535	426	395	162
228	387	391	359	425	318	200	273	130	32	11&15	270	473	591	425	470	571	464	422	173
248	413	416	384	451	318	200	273	130	32	11&15	270	473	591	425	470	597	489	448	180
										18,5	289	511	635	425	470	597	489	448	199
268	438	441	410	476	318	200	273	130	32	15	270	473	591	425	470	622	508	470	192
										18,5	289	511	635	425	470	622	508	470	211
288	468	467	435	502	318	200	273	130	32	18,5	289	511	635	425	470	648	533	495	223
										22	289	511	660	489	533	648	533	495	250
308	489	492	460	527	318	200	273	130	32	18,5	289	511	635	425	470	673	552	521	236
										22	289	511	660	489	533	673	552	521	263
328	515	518	485	551	318	200	273	130	32	30&37	327	587	737	489	533	700	591	560	278
										45	340	614	1010	540	585	700	591	560	462
348	541	543	510	576	318	200	273	130	32	30&37	327	587	737	489	533	726	618	584	355
										45	340	614	1010	540	585	726	618	584	477
368	566	569	535	602	318	200	273	130	32	37	327	587	737	489	533	751	642	609	371
										45	340	614	1010	540	585	751	642	609	493
										55	369	672	1010	590	634	751	642	609	615



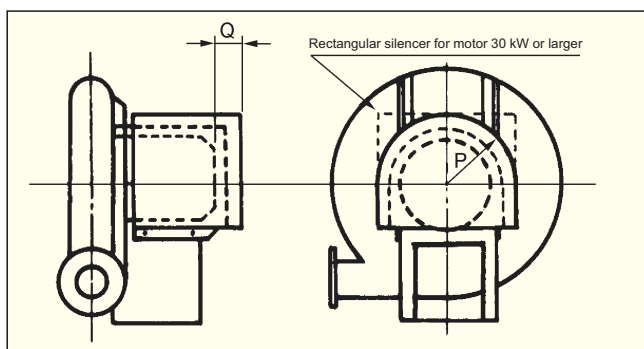
## Performance curves



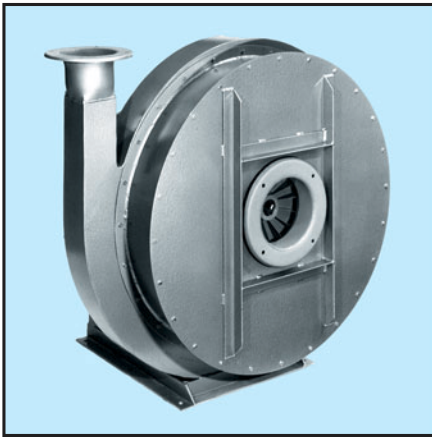


**Motor muffler**

Motor kW	Q	P
1.5 + 2.2 + 3	80	180
4	100	180
5.5 + 7.5	100	230
11 + 15 + 18.5	100	260
22	100	280
30 + 37	100	320
45	100	345
55	100	380



Dimensions in mm			A	B	C	D	E	F	G	H	J	K	L	M	N	R	
<b>QP Type</b>	405-665	406,5-766,5	407,5-767,5	118	165	203	86	108	265	185	346	-	-	150	-	-	
	4010-7610			154	216	254	103	162	-	-	-	448	448	150	272	175	604
	4012,5-7612,5	4015-7615		200	273	318	114	175	-	-	-	510	510	150	340	213	720
<b>Q Type</b>		322,5	323-363	118	165	203	86	220	265	346	346	-	-	150	-	-	
	324-364			154	216	254	103	254	-	-	-	448	448	150	272	175	604
	325-365	326-366		200	273	318	114	280	-	-	-	510	510	150	340	213	720
	198-228			305	362	406	133	294	-	-	-	510	510	200	360	225	720
	248-368			305	362	406	133	294	-	-	-	510	510	200	350	225	1056



**Construction**

Single inlet centrifugal fan. Two radial bladed impellers riveted of steel sheet with a turned mild steel hub, fitted to the motor shaft. Twin casing in steel plate of welded construction adequately stiffened to prevent drumming and vibration. Access to the impeller is given by removing the bolted cover of the casing inlet side. Designed for transportation of normal air with max. temperature of +80°C. Designs for corrosive gases, higher running temperatures, etc. can be supplied on request.

**Motor**

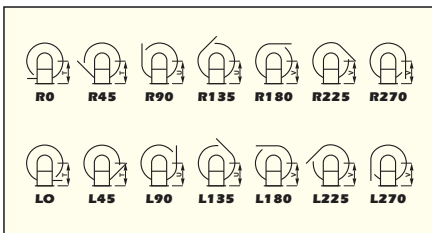
230/400V, 50Hz (400/690V, 50Hz) three-phase asynchronous motor, suitable for speed control with frequency control. Insulation class F, enclosure IP55. Special voltage or frequency, improved enclosure IP65, 2-speed motors and explosion proof motors can be supplied on request.

Wiring diagram, see page 235.

**Working area:** pressure up to 35000 Pa  
flow up to 3400 m<sup>3</sup>/h.

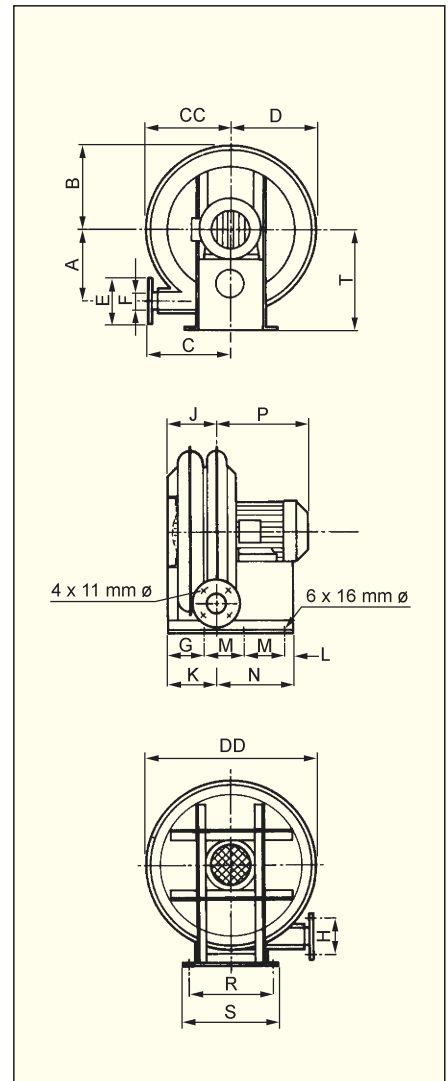
**Accessories**

Inlet flanges, inlet filter, silencer.

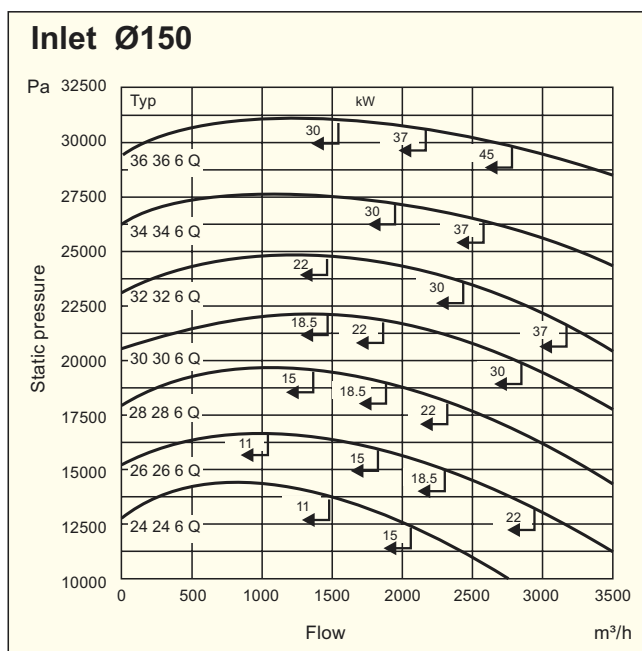
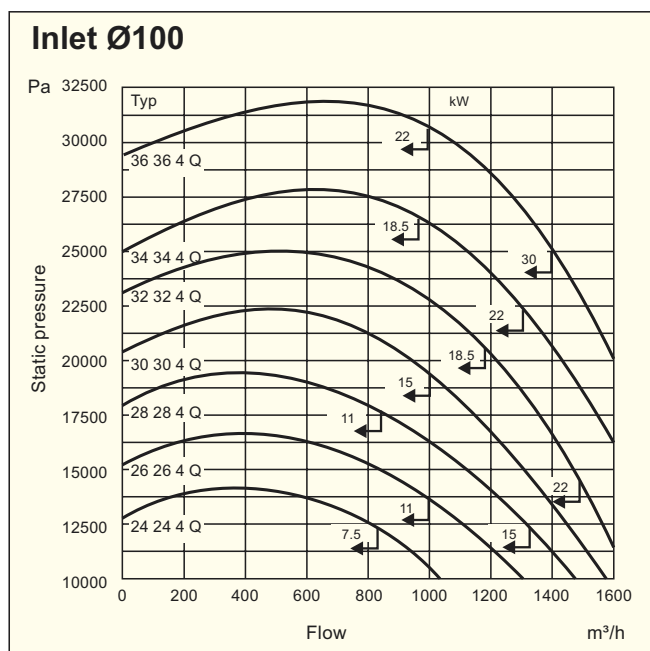


**Dimensions in mm**

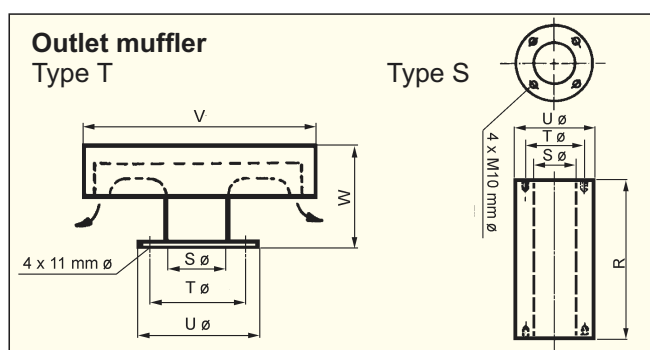
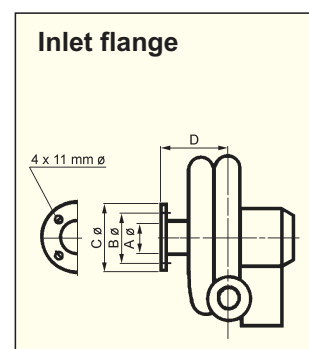
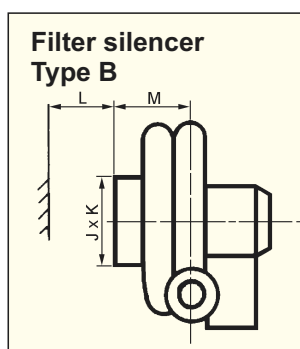
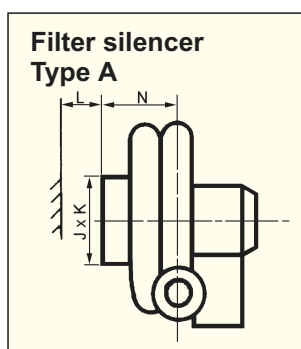
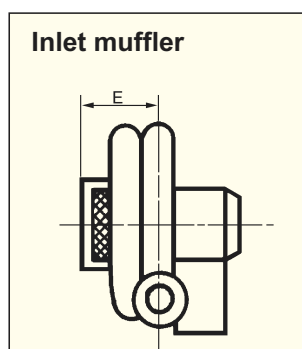
Type	A	B	C	CC	D	DD	E	F	G	H	J	K	L	Motor kW	M	N	P	R	S	T	Weight kg
24 24 4Q	378	397	360	376	418	880	197	100	32	152	235	100	32	7.5	200	341	430	362	406	489	132
														11.0	251	443	563	426	470	489	174
26 26 4Q	403	422	386	401	443	880	197	100	32	152	235	100	32	7.5	200	341	430	362	406	527	149
														11&15	251	443	563	426	470	527	191
28 28 4Q	429	447	410	426	469	880	197	100	32	152	235	100	32	11&15	251	443	563	426	470	552	207
														18.5	271	483	608	426	470	552	226
30 30 4Q	454	472	436	451	494	880	197	100	32	152	235	100	32	15.0	251	443	563	426	470	578	227
														18.5	271	483	608	426	470	578	246
24 24 6Q	387	406	365	381	432	880	255	150	32	216	282	111	32	11&15	251	455	572	425	470	527	207
														18.5	271	495	614	425	470	527	226
26 26 6Q	413	432	390	406	457	880	255	150	32	216	282	111	32	15.0	251	455	572	425	470	552	217
														18.5	271	495	614	425	470	552	236
28 28 6Q	438	457	416	432	482	880	255	150	32	216	282	111	32	22.0	271	495	630	489	534	552	263
														18.5	271	495	614	425	470	578	256
30 30 6Q	464	483	441	457	508	880	255	150	32	216	282	111	32	22.0	271	495	630	489	534	603	281
														30&37	307	567	710	489	534	603	370
32 32 4Q	480	482	461	461	504	930	197	100	32	152	235	100	32	15.0	240	444	563	426	470	603	253
														18.5	261	486	608	426	470	603	272
34 34 4Q	505	508	487	487	529	980	197	100	32	152	235	100	32	22.0	261	486	630	489	534	603	299
														15.0	240	444	563	426	470	629	287
36 36 4Q	530	531	513	513	554	1031	197	100	32	152	235	100	32	18.5	261	486	608	426	470	629	306
														22.0	261	486	630	489	534	629	333
32 32 6Q	489	492	466	466	517	930	255	150	32	216	282	111	32	30&37	307	567	710	489	534	629	343
														22.0	271	495	630	489	534	653	383
34 34 6Q	514	517	491	491	542	980	255	150	32	216	282	111	32	30&37	307	567	710	489	534	653	445
														45.0	323	599	760	540	585	653	553
36 36 6Q	540	543	517	517	568	1031	255	150	32	216	282	111	32	30&37	307	567	710	489	534	679	501
														45.0	323	599	760	540	585	679	609
36 36 6Q	540	543	517	517	568	1031	255	150	32	216	282	111	32	55.0	353	659	800	590	635	679	770



Performance curves



Accessories

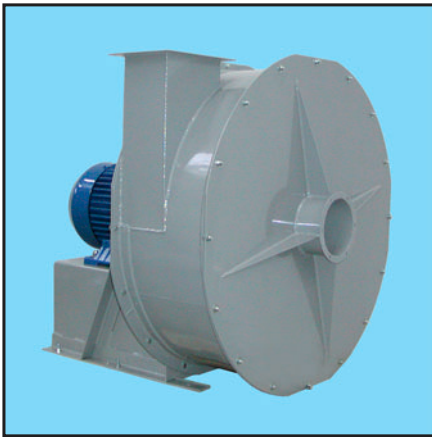


#### Motor muffler

Motor kW	P	Q
5.5 7.5	230	75
11 – 18.5	260	100
22	280	100
30 37	300	100
45	325	100

Dimensions in mm

Type	A	B	C	D	E	J	K	L	M	N	R	S	T	U	V	W
61 61 10 – 36 36 4	216	273	318	340	351	510	510	150	455	360	500	100	152	200	610	195
61 61 15 – 36 36 6	216	273	318	340	406	510	510	150	565	440	750	150	216	260	610	295



**Construction**

Single inlet direct driven two stage centrifugal fan with casing in steel sheet, welded and powder coated. Impellers are made of aluminium sheet, dynamically balanced according to ISO 1940.

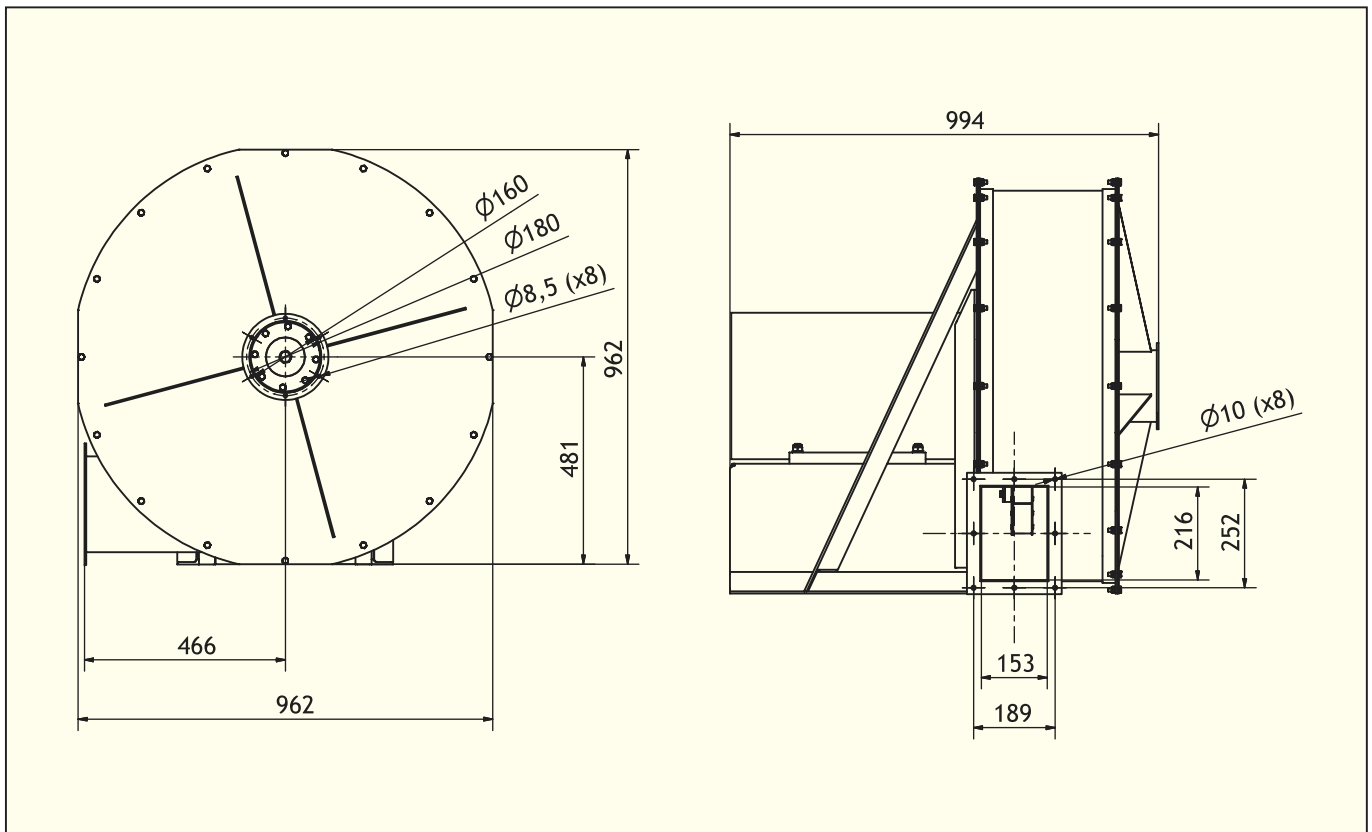
**Motor**

400/690V, 50Hz three-phase asynchronous motor with squirrel cage rotor. Enclosure IP55, insulation class F. Special voltage or frequency, improved enclosure IP65, explosion proof motor can be supplied on request.

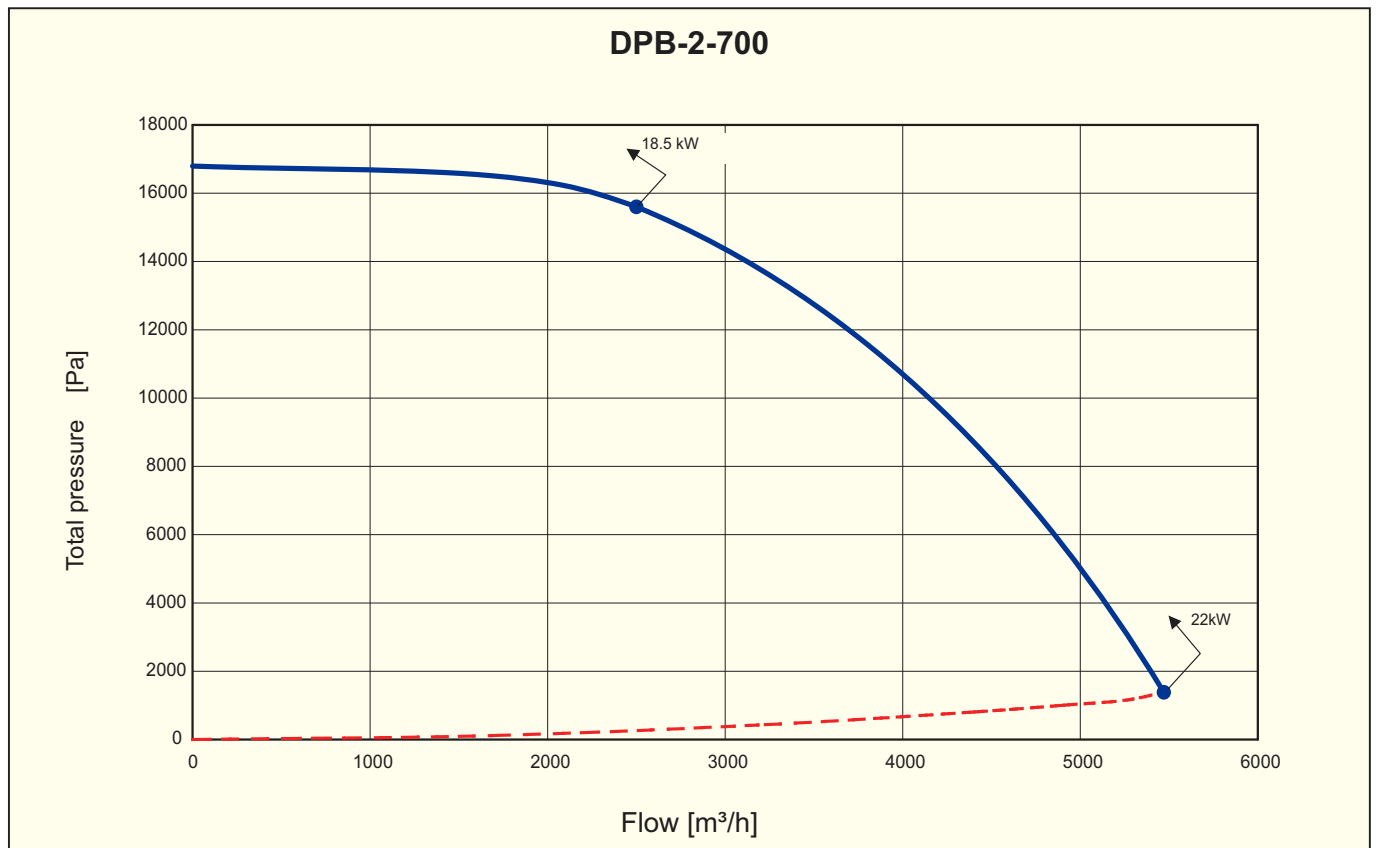
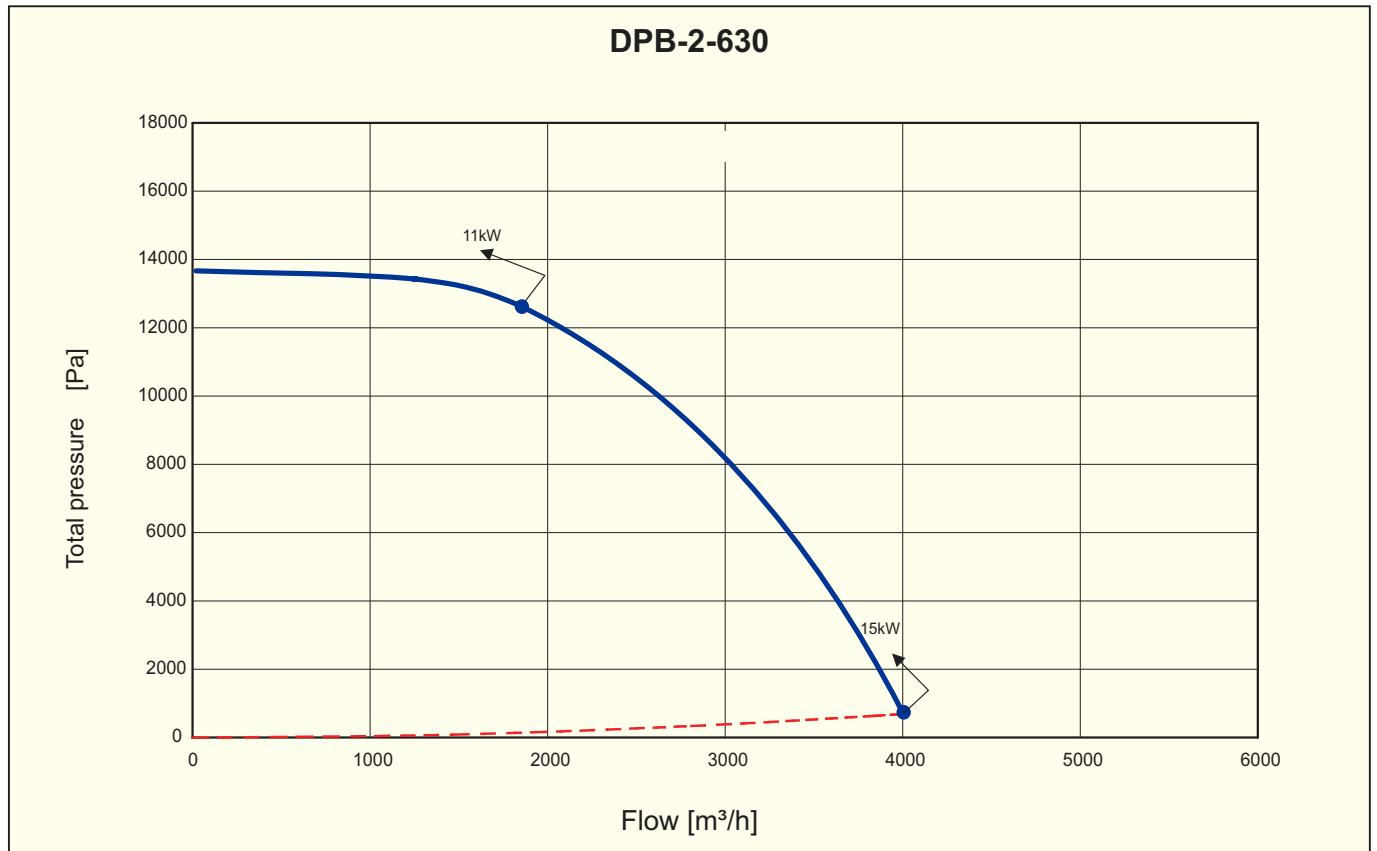
Wiring diagram, see page 235.

**Data**

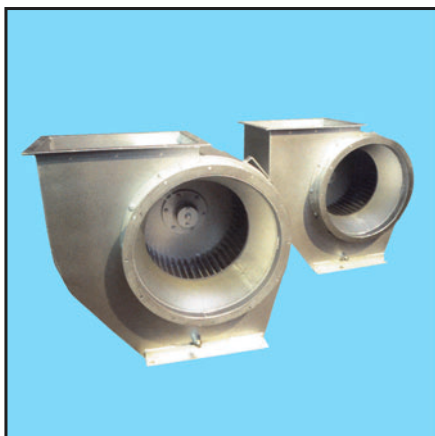
Type	Speed rpm	Motor power kW	Voltage V	Maximum current A	Maximum duty m <sup>3</sup> /h	Maximum pressure Pa	Weight kg	Article number
DPB-2-630-1100	2930	11	400	19.9	1800	13 600	345	213800630
DPB-2-630-1500	2920	15	400	26.2	4000	13 600	360	213800640
DPB-2-700-1850	2930	18.5	400	32,1	2050	16 750	375	213800700
DPB-2-700-2200	2920	22	400	40.4	5450	16 750	410	213800710



Performance curves







**FCM**

**Construction FCM**

Single inlet direct driven centrifugal fan with casing in welded steel sheet. Impeller, type F, with forward curved blades in steel sheet, suitable for clean air. Very silent. Casing and impeller in other materials for example stainless steel or galvanized steel sheet may be supplied on request.

**Working range:**

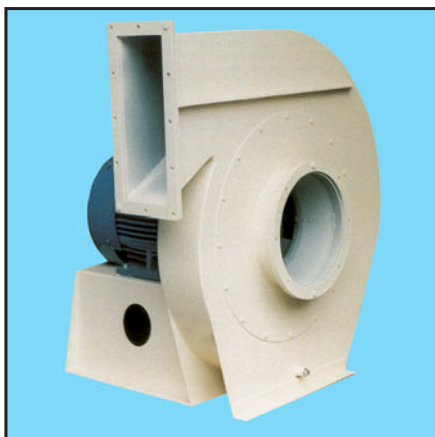
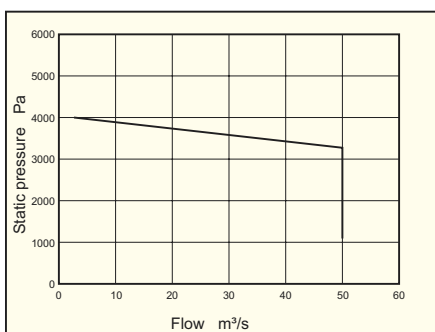
Flow 0 - 60 m<sup>3</sup>/s  
Pressure 0 - 1 kPa

**Motor**

380/420V, 50Hz three-phase asynchronous motor IEC34-1. Enclosure IP55, class F insulation. Special voltage or frequency, or enclosure may be supplied on request. Wiring diagram, see page 235.

**Accessories**

Inlet and outlet fittings, silencer, sleeve.



**RL**

**Construction RL**

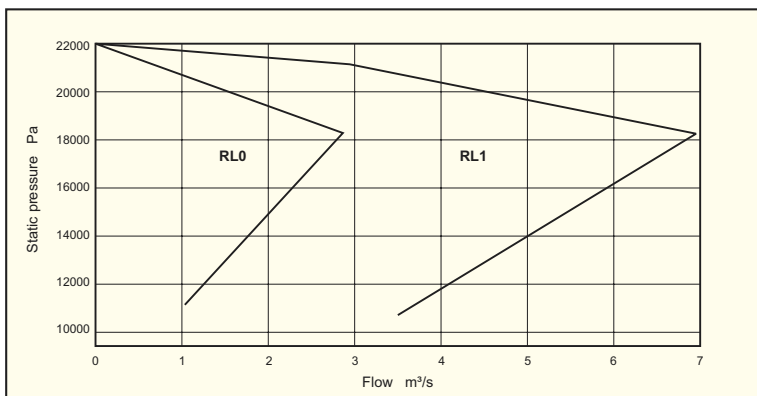
Single inlet direct driven centrifugal fan with casing in welded steel sheet. Impeller with straight radial blades in steel sheet, suitable for clean air at high pressure. Casing and impeller in other materials for example stainless steel or galvanized steel sheet may be supplied on request.

**Motor**

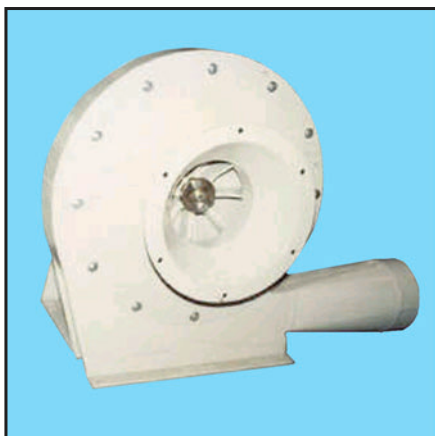
380/420V, 50Hz three-phase asynchronous motor IEC34-1. Enclosure IP55, class F insulation. Special voltage or frequency, or enclosure may be supplied on request. Wiring diagram, see page 235.

**Accessories**

Inlet and outlet fittings, silencer, sleeve.



Type	Flow m <sup>3</sup> /s	Pressure kPa
RL0	0,5-6	20
RL1	0,1-18	20



**PB**

**Construction**

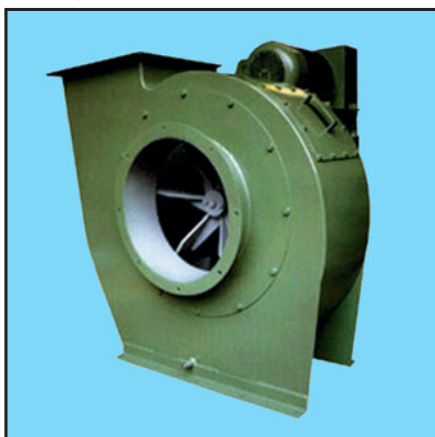
Single inlet, direct or belt driven centrifugal fan with casing in welded steel sheet. Impeller with straight self-cleaning radial blades in steel sheet, suitable for air with solid particles. Casing and impeller in other materials for example stainless steel or galvanized steel sheet may be supplied on request.

**Motor**

380/420V, 50Hz three-phase asynchronous motor IEC34-1. Enclosure IP55, class F insulation. Special voltage or frequency, or enclosure may be supplied on request. Wiring diagram, see page 235.

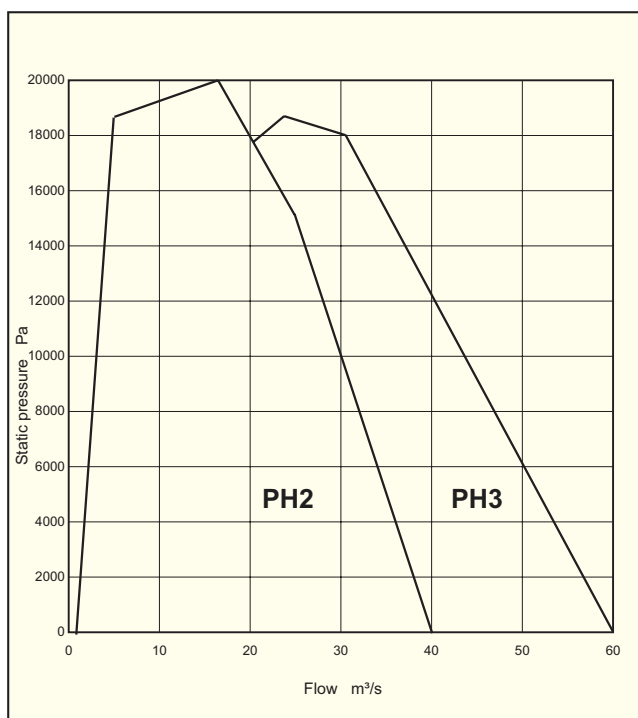
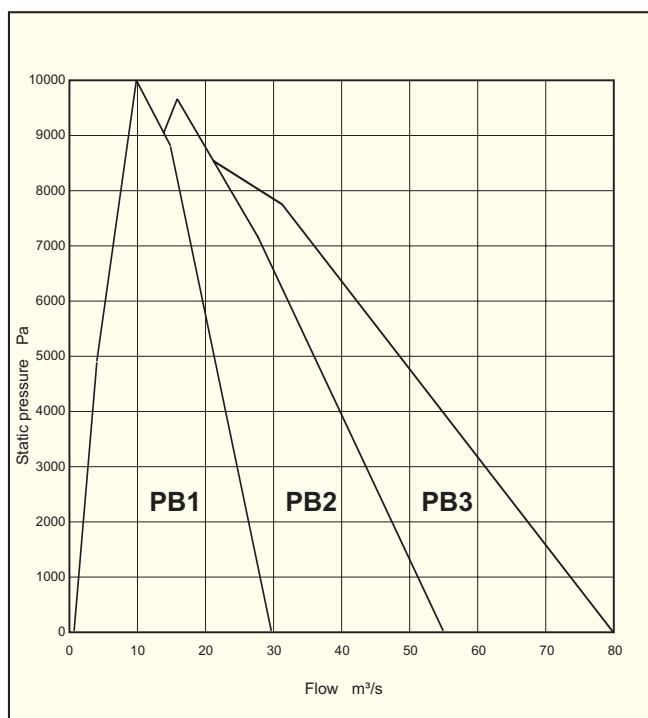
**Accessories**

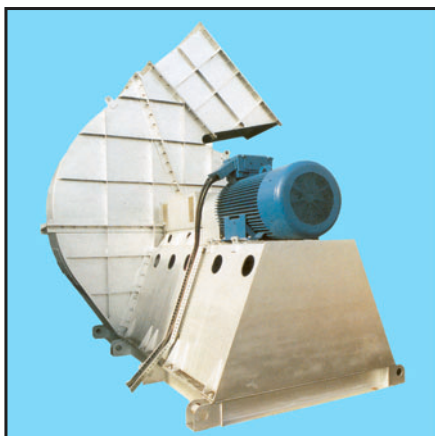
Inlet and outlet fittings, silencer, sleeve.



**PH**

Type	Flow m <sup>3</sup> /s	Pressure kPa
PB1	0,1-12	4
PB2	0,2-24	3
PB3	0,3-25	2
PH1	0,2-25	20
PH2	0,4-40	20





**Construction**

Single inlet, high-pressure direct-driven (type BL), or belt-driven (type BNF) centrifugal fan with casing in welded steel sheet. Impeller with backward curved blades in steel sheet, suitable for clean or lightly polluted air. Suitable in applications with high efficiency. Casing and impeller in other materials for example stainless steel or galvanized steel sheet may be supplied on request.

**Motor**

380/420V, 50Hz three-phase asynchronous motor IEC34-1. Enclosure IP55, class F insulation. Special voltage or frequency, or enclosure may be supplied on request. Wiring diagram, see page 235.

**BL**

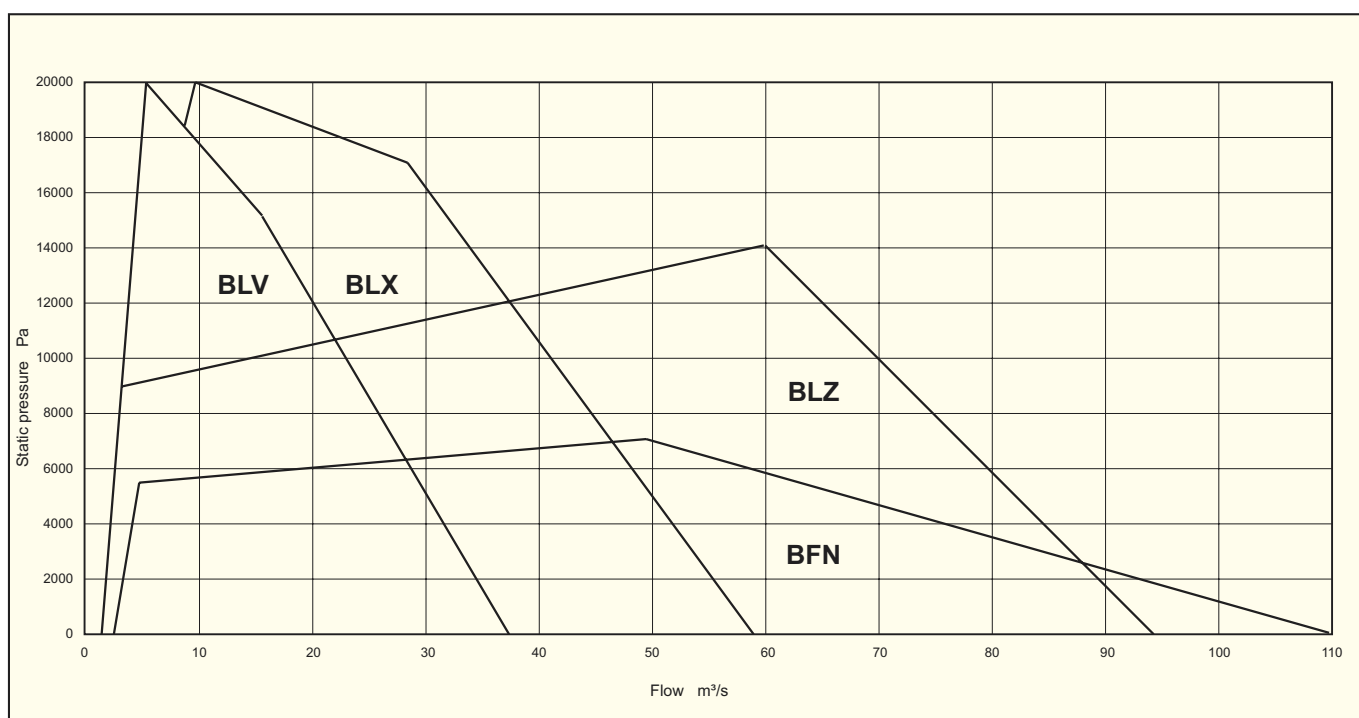
**Accessories**

Inlet and outlet fittings, silencer, sleeve.



**BNF**

Type	Flow m <sup>3</sup> /s	Pressure kPa
BLT	0,3-10	20
BLV	1-100	20
BLX	2-150	20
BLZ	3-200	20
BLN	1-300	6
BLW	1-400	3
BFN	1-300	6





## Construction

Single inlet, belt driven centrifugal fan with casing in cast aluminium and impeller with backward curved blades in aluminium sheet. The suspension of the belt-drive and the unique design of the casing give optimal compactness. Casing and impeller in other materials for example stainless steel or galvanized steel sheet may be supplied on request.

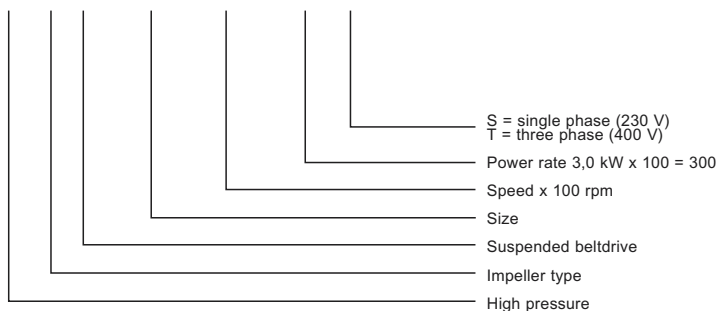
## Motor

220-240/380-420V, 50Hz (380-420/660-720V above 3kW) three-phase or 220-240V, 50Hz single-phase asynchronous motor with capacitor. Insulation class F, enclosure IP55. Special voltage or frequency, improved enclosure IP65, 2-speed motors and explosion proof motors can be supplied on request.

Wiring diagram, see page 235.

## Model numbering system

**HP B x - 200 - 51 - 300 T**

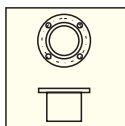


## Data

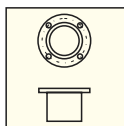
Type	Speed rpm	Motor power kW	Voltage V	Maximum current A	Maximum duty m³/h	Maximum pressure Pa	Sound level* dB(A)	Weight kg	Article number
HPBx-25-40-075S	4000	0,75	230	5,1	600	2150	81	20	113 655 050
HPBx-25-40-075T	4000	0,75	230/400	3,3/1,9	600	2150	81	20	113 655 055
HPBx-25-44-075S	4400	0,75	230	5,1	660	2600	82	20	113 655 060
HPBx-25-44-075T	4400	0,75	230/400	3,3/1,9	660	2600	82	20	113 655 065
HPBx-25-50-110S	5000	1,1	230	7,9	750	3300	83	22	113 655 070
HPBx-25-50-110T	5000	1,1	230/400	4,3/2,5	750	3300	83	22	113 655 075
HPBx-30-40-075S	4000	0,75	230	5,1	970	2400	82	21	113 655 100
HPBx-30-40-075T	4000	0,75	230/400	3,3/1,9	970	2400	82	20	113 655 105
HPBx-30-44-110S	4400	1,10	230	7,90	1070	2950	83	23	113 655 110
HPBx-30-44-110T	4400	1,10	230/400	4,3/2,5	1070	2950	83	22	113 655 115
HPBx-30-50-150S	5000	1,50	230	9,0	1230	3850	85	26	113 655 120
HPBx-30-50-150T	5000	1,50	230/400	5,9/3,4	1230	3850	85	25	113 655 125
HPBx-30-56-220T	5600	2,20	230/400	8,0/4,6	1400	4780	88	30	113 655 140
HPBx-200-38-150S	3800	1,50	230	9,0	1250	4450	84	33	113 655 200
HPBx-200-38-150T	3800	1,50	230/400	5,9/3,4	1250	4450	84	32	113 655 205
HPBx-200-43-220T	4300	2,20	230/400	8,0/4,6	1400	5560	87	37	113 655 210
HPBx-200-45-300T	4500	3,00	230/400	11,5/6,6	1490	6150	89	39	113 655 215
HPBx-200-48-300T	4800	3,00	230/400	11,5/6,6	1400	7000	91	40	113 655 220
HPBx-200-51-300T	5100	3,00	230/400	11,5/6,6	1100	7720	93	41	113 655 225
HPBx-260-38-220T	3800	2,20	230/400	8,0/4,6	1400	4100	86	39	113 655 250
HPBx-260-43-300T	4300	3,00	230/400	11,5/6,6	1580	5150	88	41	113 655 255
HPBx-260-45-300T	4500	3,00	230/400	11,5/6,6	1500	5720	90	41	113 655 260
HPBx-260-48-300T	4800	3,30	230/400	11,5/6,6	1300	6440	92	41	113 655 265
HPBx-300-31-220T	3100	2,20	230/400	8,0/4,6	2360	3750	90	44	113 655 320
HPBx-300-35-300T	3500	3,00	230/400	11,5/6,6	2650	4740	92	46	113 655 330

\* - in the middle of the performance curve, 1m from the fan.

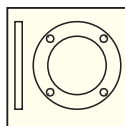
## Accessories



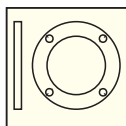
Connector suction side page 189



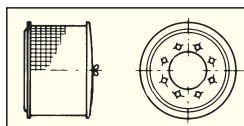
Connector pressure side page 189



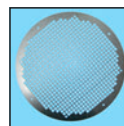
Welding flange suction side page 190



Welding flange pressure side page 190

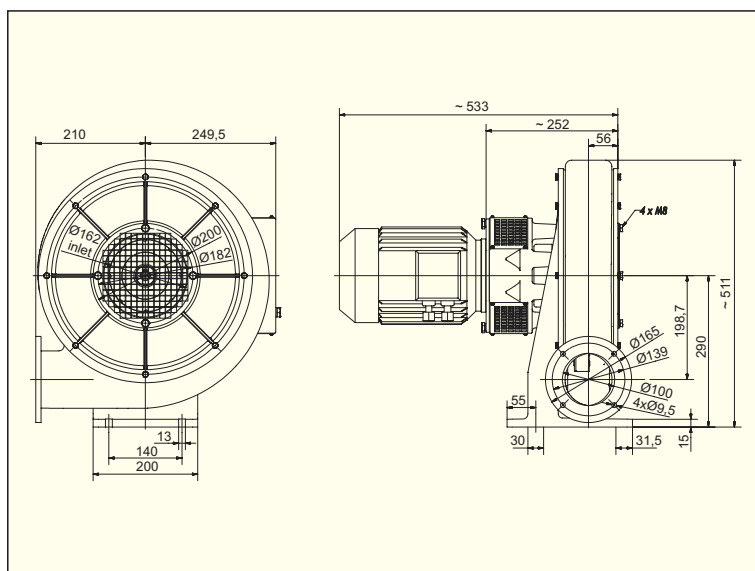
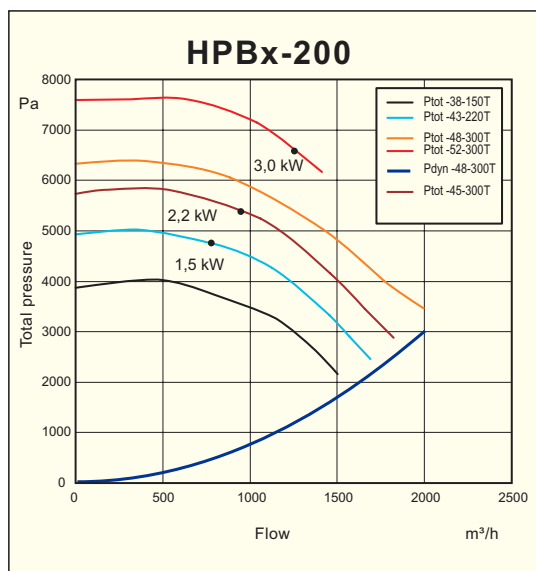
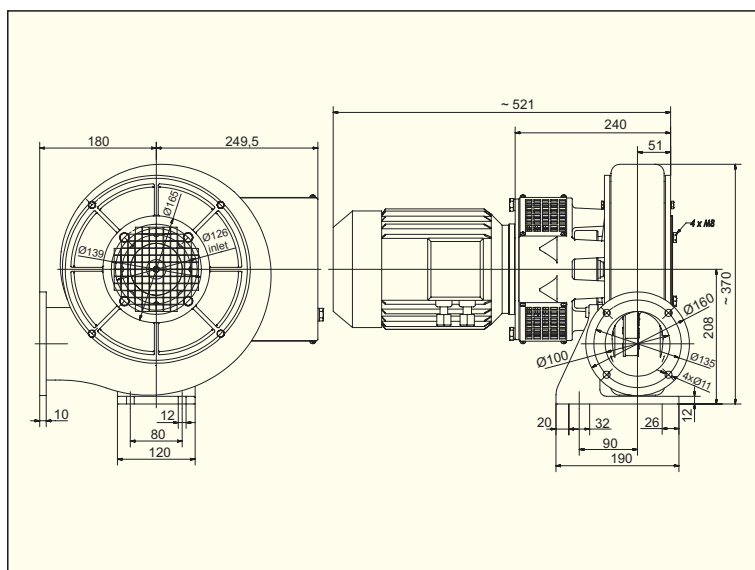
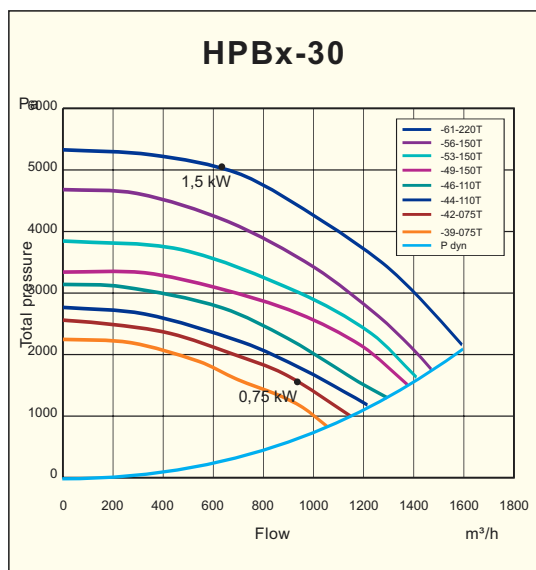
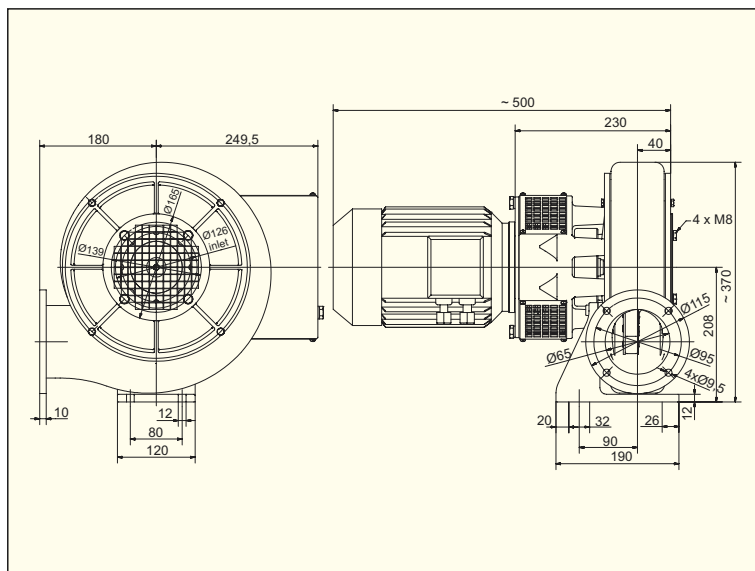
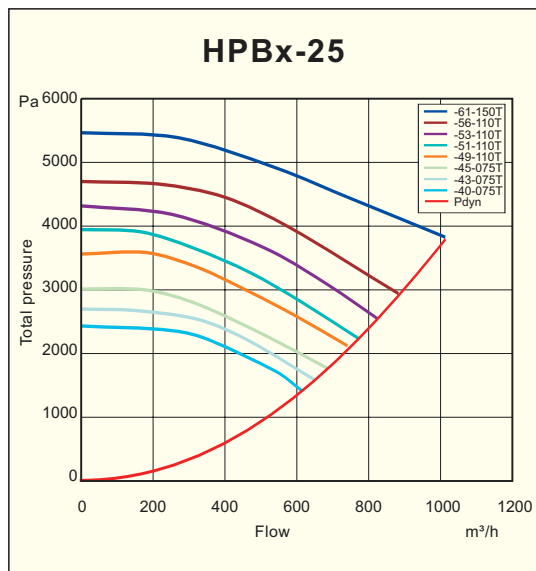


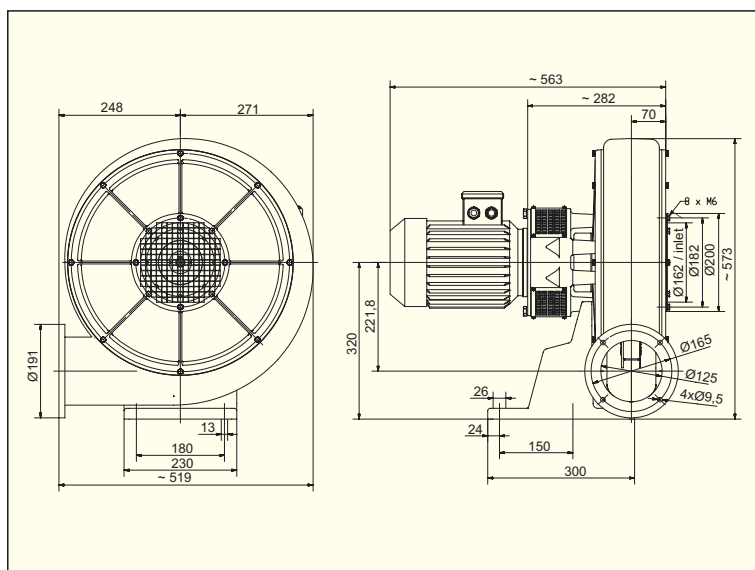
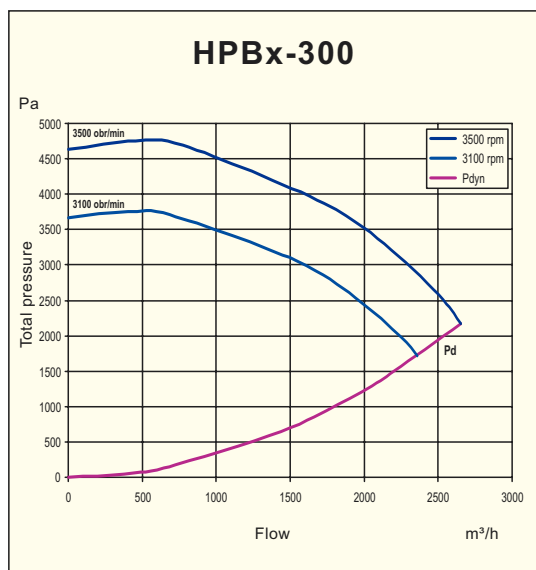
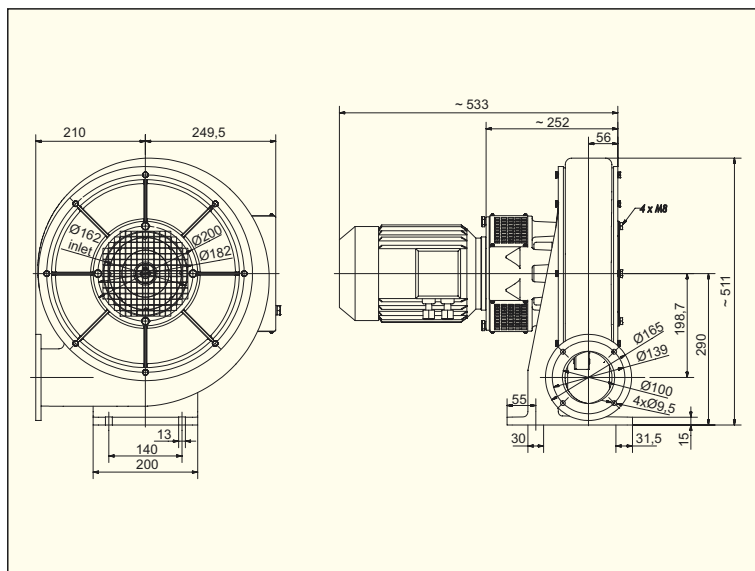
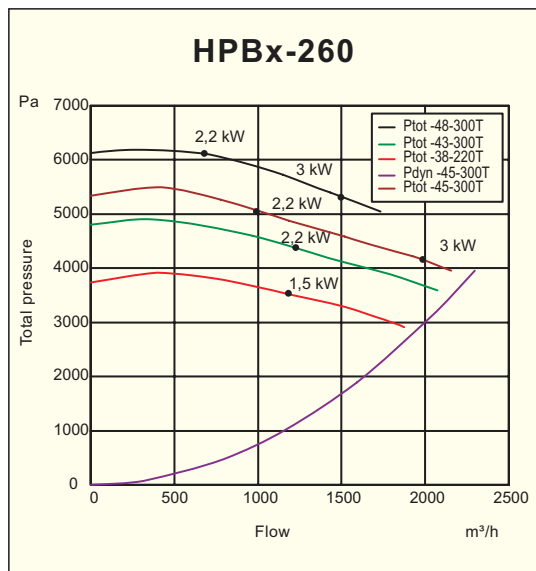
Filter suction side page 190

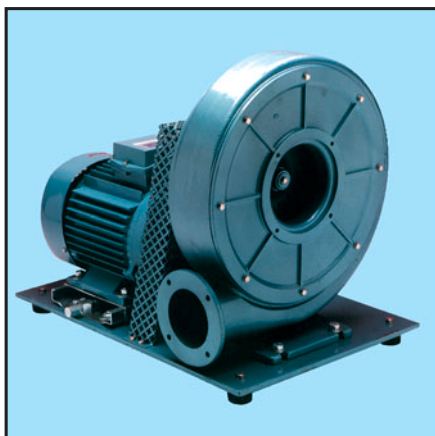


Protection outlet

Performance curves







### Construction

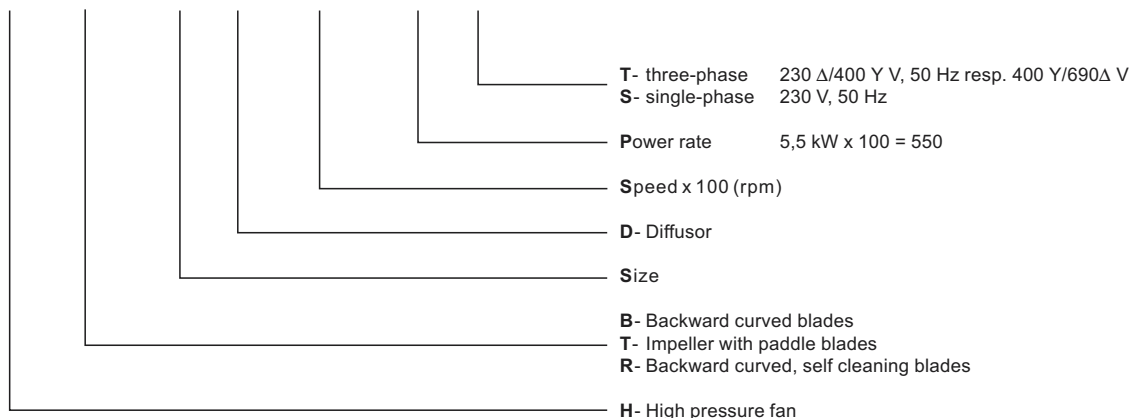
Single inlet, belt driven centrifugal fan with casing in cast aluminium and impeller with backward curved blades (type HPB), backward curved self cleaning blades (typ HPR) or straight radial blades (type HPT) in aluminium sheet. Casing and impeller in other materials for example stainless steel or galvanized steel sheet may be supplied on request.

### Motor

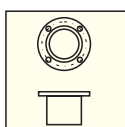
220-240/380-420V, 50Hz (380-420/660-720V above 3kW) three-phase or 220-240V, 50Hz single-phase asynchronous motor with capacitor. Insulation class F, enclosure IP55. Special voltage or frequency, improved enclosure IP65, 2-speed motors and explosion proof motors can be supplied on request. Wiring diagram, see page 235.

### Model numbering system

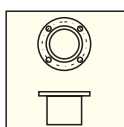
**H P B - 260 D - 49 - 550 T**



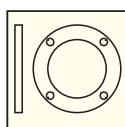
### Accessories



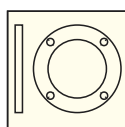
Connector suction side page 188



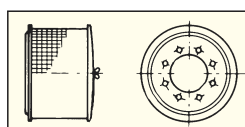
Connector pressure side page 188



Welding flange suction side page 189



Welding flange pressure side page 189



Filter suction side page 189



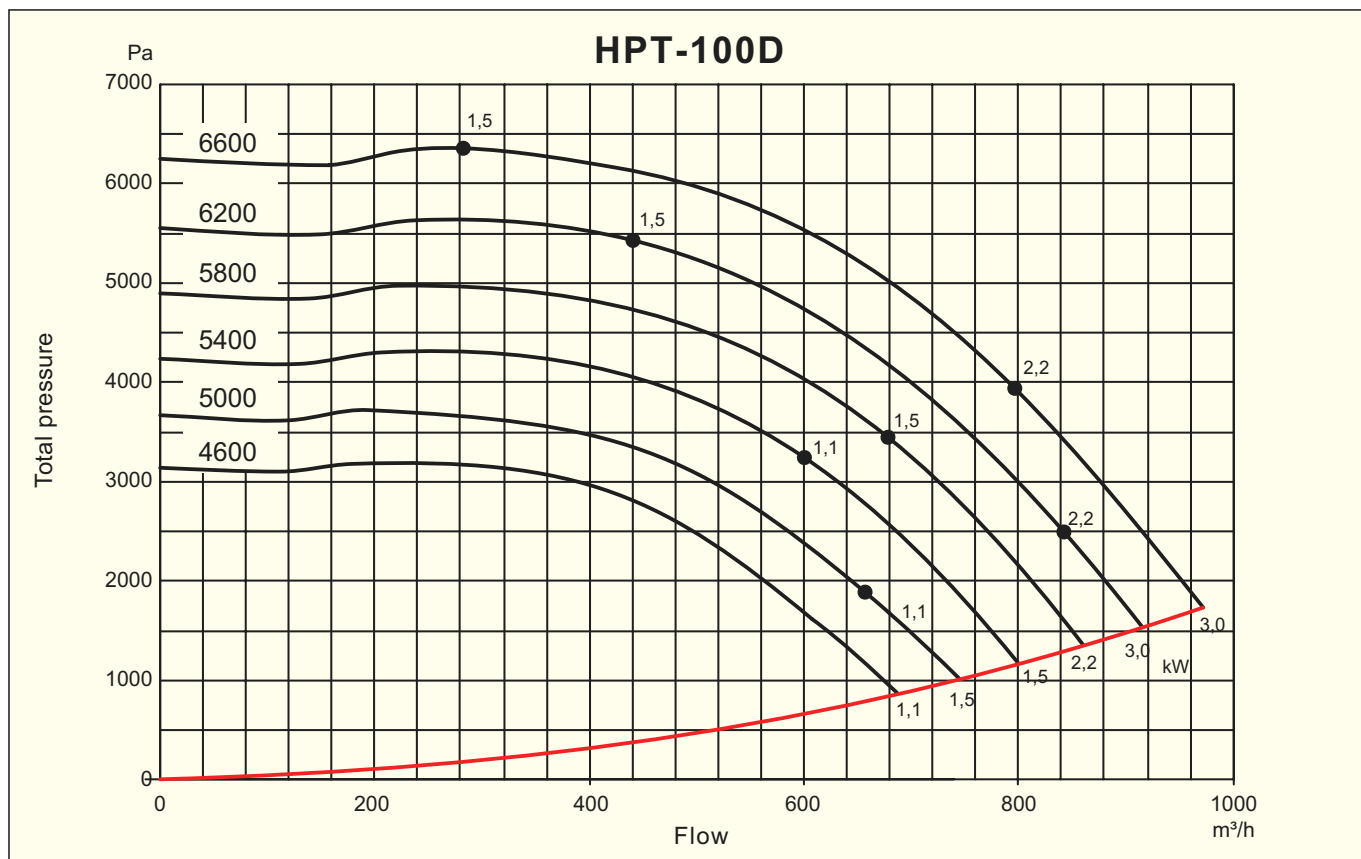
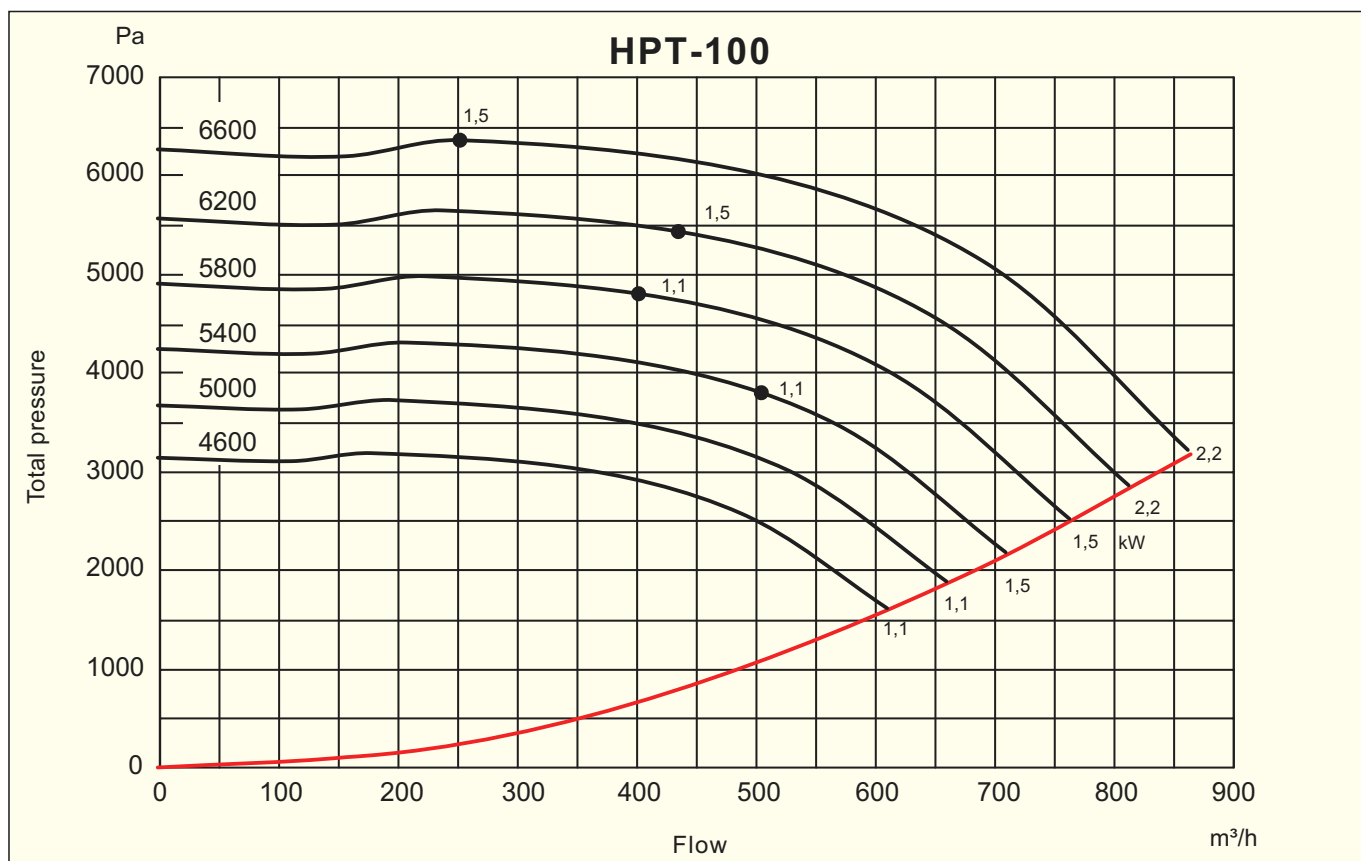
## Technical specification

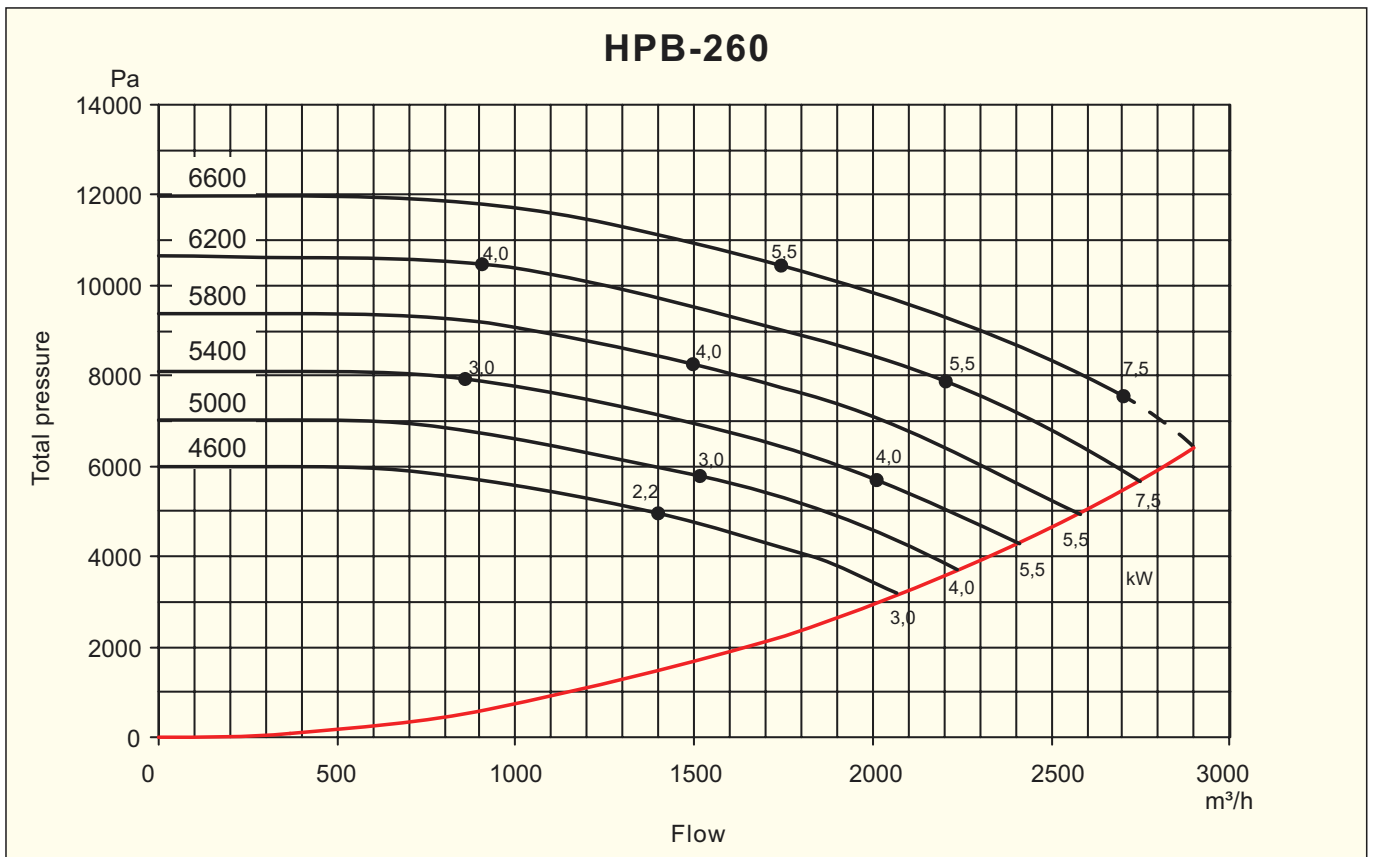
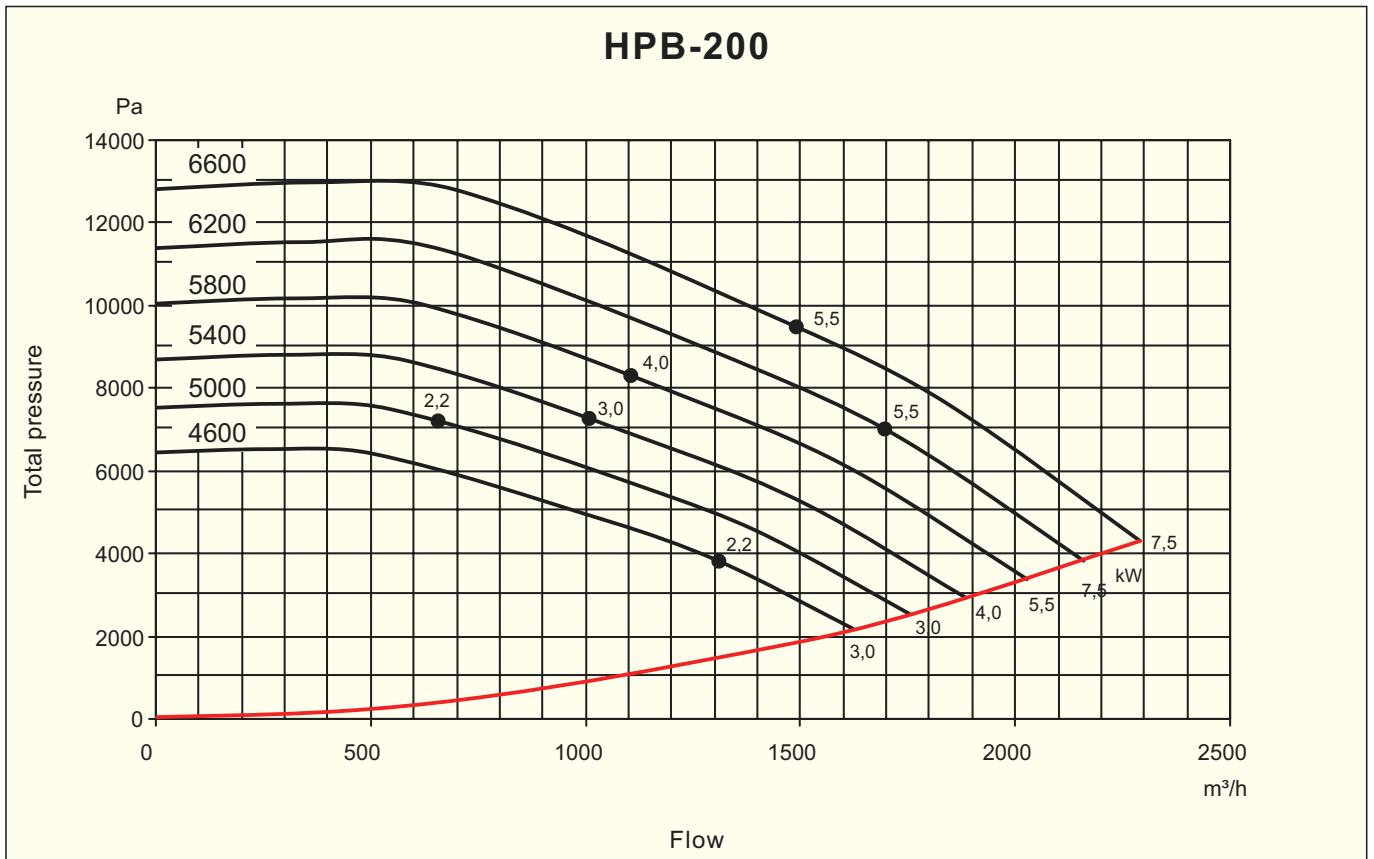
Type	Motor power kW	Voltage V	Maximum current A	Weight kg	Sound level* dB(A)	Article number
HPT-100	1,1	230/400	4,32/2,5	38	88	113 650 100
HPT-100	1,1	230	7,9	39	88	113 650 105
HPT-100	1,5	230/400	5,9/3,4	41	88	113 650 110
HPT-100	1,5	230	8,7	42	88	113 650 115
HPT-100	2,2	230/400	8,3/4,9	45	88	113 650 120
HPT-100	3,0	230/400	10,9/6,1	49	88	113 650 130
HPT-100D	2,2	230/400	8,3/4,9	46	90	113 650 140
HPT-100D	3,0	230/400	10,9/6,1	50	90	113 650 150
HPB-200	2,2	230/400	8,0/4,6	70	88	113 650 180
HPB-200	3,0	230/400	11,3/6,5	74	90	113 650 190
HPB-200	4,0	400/690	7,8/4,5	85	95	113 650 200
HPB-200	5,5	400/690	10,6/6,1	91	97	113 650 210
HPB-260	3,0	230/400	11,3/6,5	74	90	113 650 220
HPB-260	4,0	400/690	7,8/4,5	85	95	113 650 230
HPB-260	5,5	400/690	10,6/6,1	91	97	113 650 240
HPB-260	7,5	400/690	13,7/7,9	93	99	113 650 250
HPB-260D	4,0	400/690	7,8/4,5	86	95	113 650 260
HPB-260D	5,5	400/690	10,6/6,1	92	97	113 650 270
HPB-260D	7,5	400/690	13,7/7,9	94	99	113 650 280
HPB-300	3,0	230/400	11,3/6,5	80	90	113 650 300
HPB-300	4,0	400/690	7,8/4,5	90	95	113 650 305
HPB-300	5,5	400/690	10,6/6,1	94	97	113 650 310
HPB-300	7,5	400/690	13,7/7,9	97	99	113 650 315
HPB-300	11	400/690	21,2/12,2	105	100	113 650 320
HPB-360	7,5	400/690	13,7/7,9	139	100	113 650 360
HPB-360	11,0	400/690	21,2/12,2	183	102	113 650 370
HPB-360	15,0	400/690	27,2/15,7	198	105	113 650 380
HPB-360	18,5	400/690	32,0/18,4	213	105	113 650 390
HPR-400	11	400/690	21,2/12,2	190	100	113 650 400
HPR-400	15	400/690	27,2/15,7	210	102	113 650 410
HPR-400	18,5	400/690	32,0/18,4	225	105	113 650 420
HPR-400	22	400/690	40,0/23,1	255	105	113 650 430
HPR-400	30	400/690	53,0/30,6	320	107	113 650 440

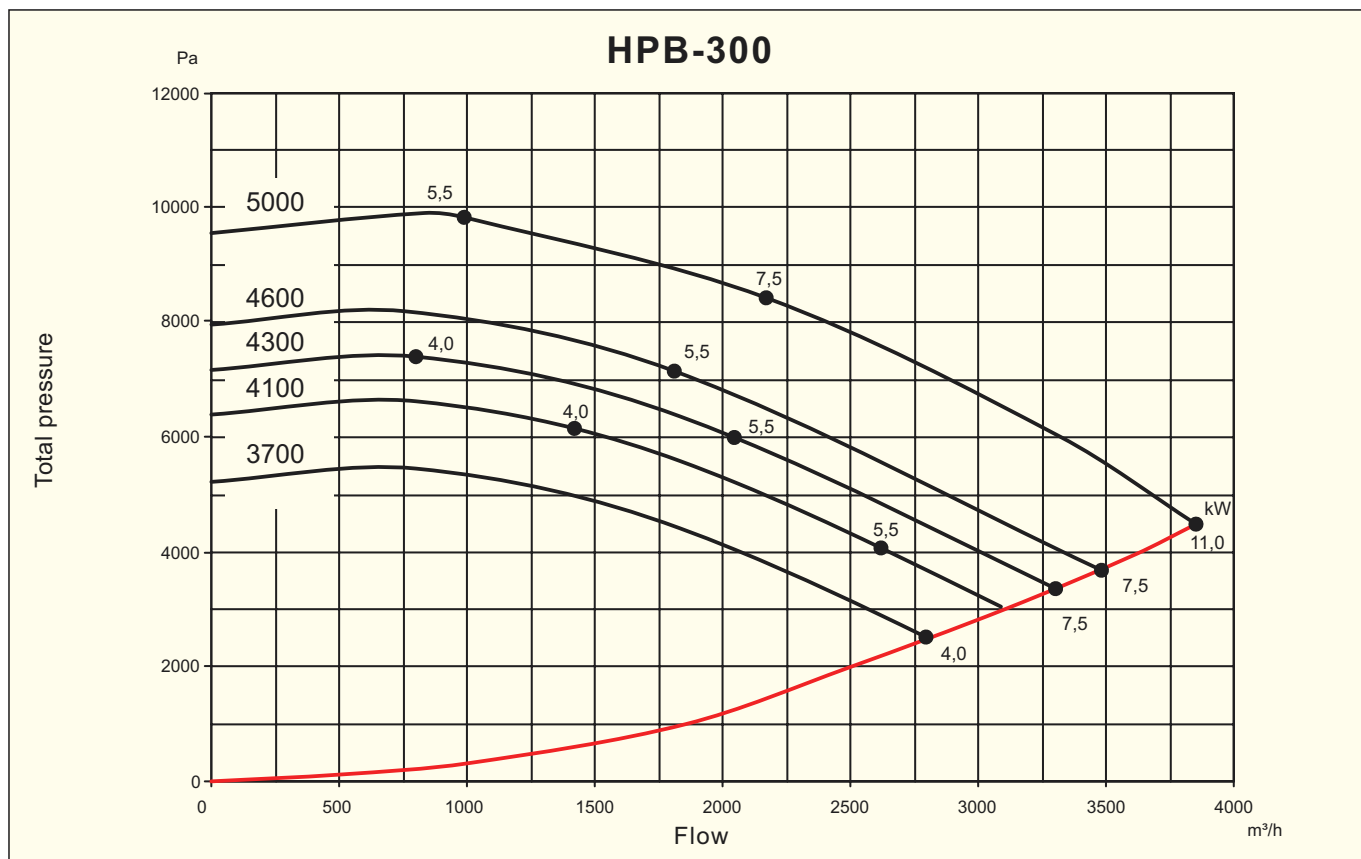
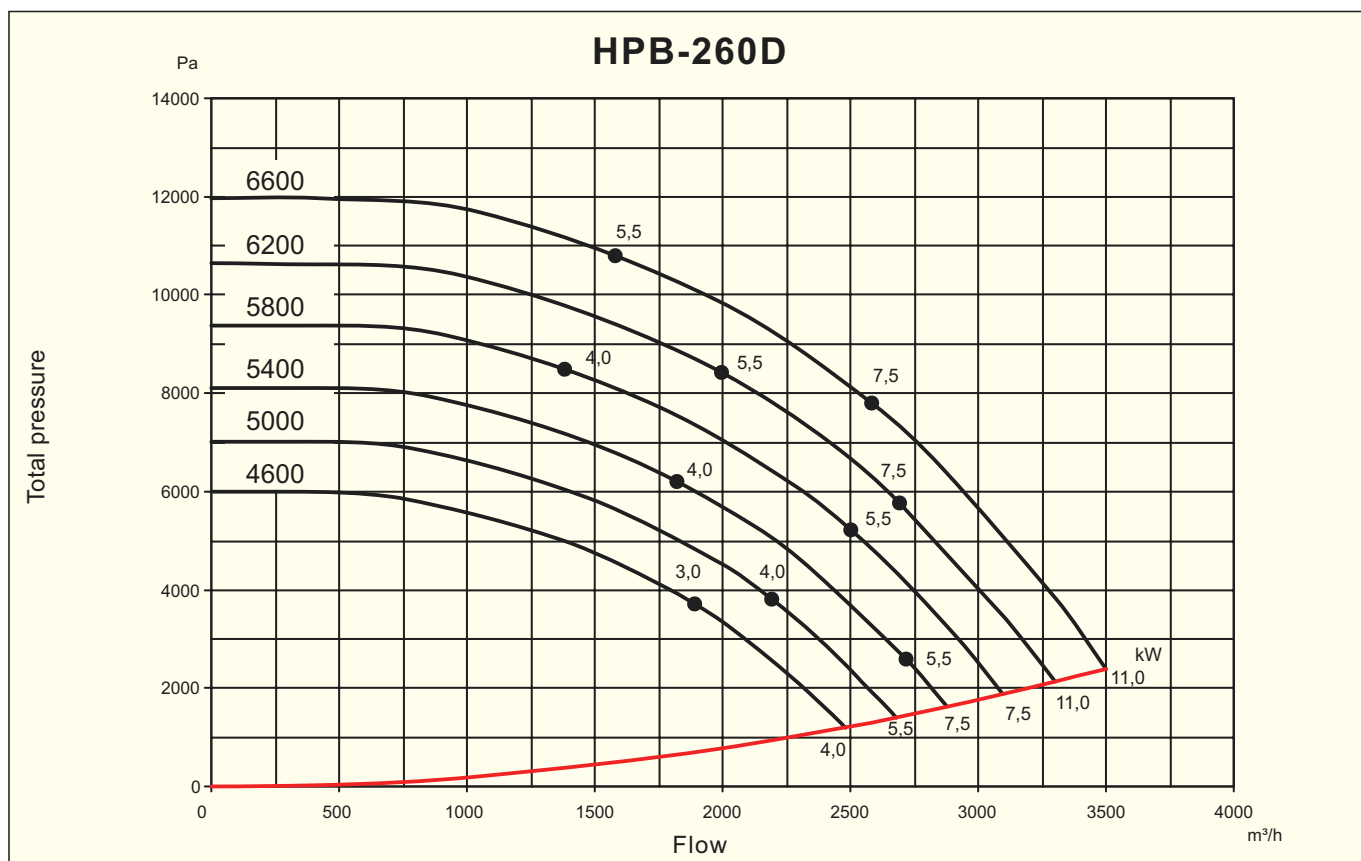
\* - in the middle of the performance curve.

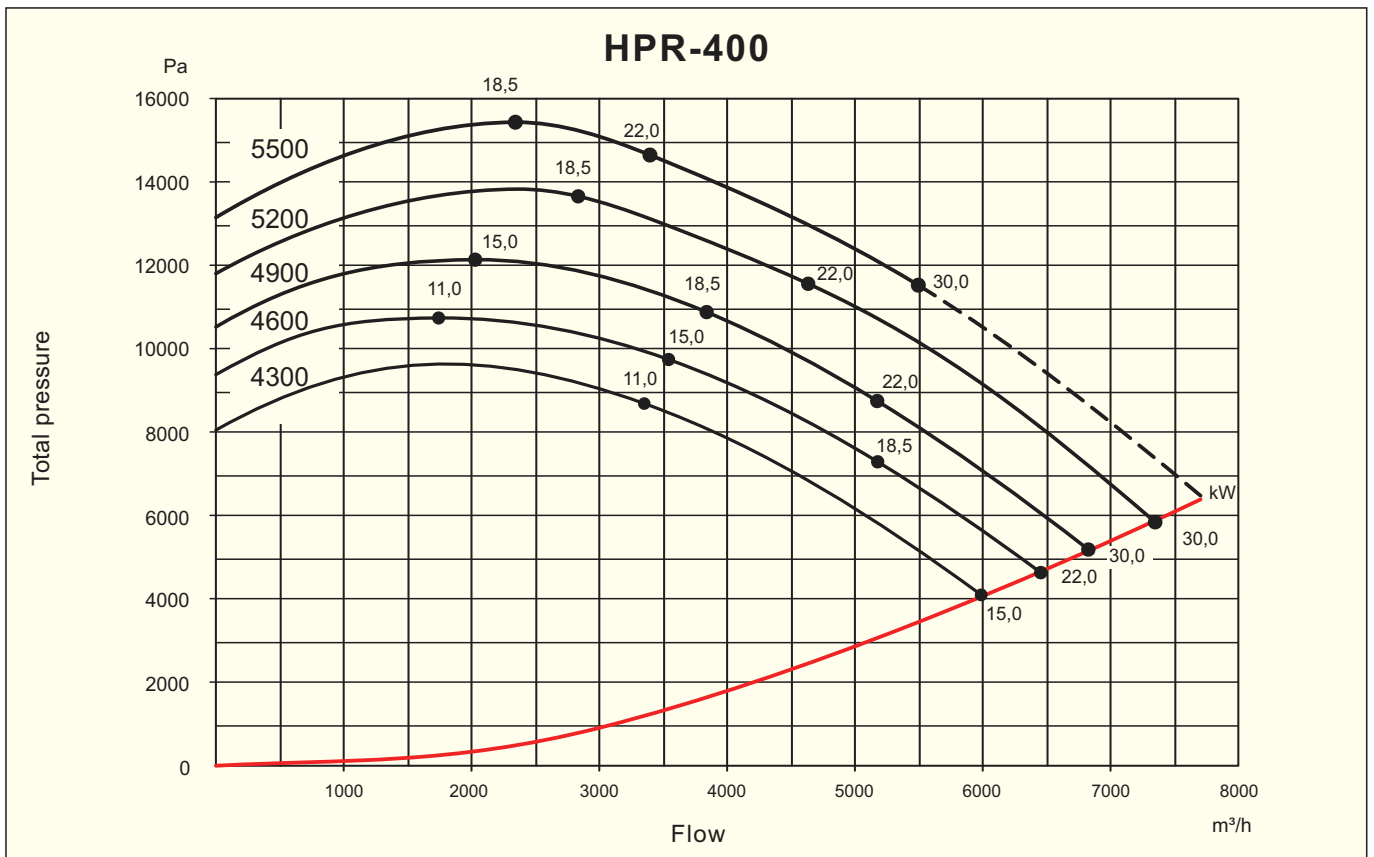
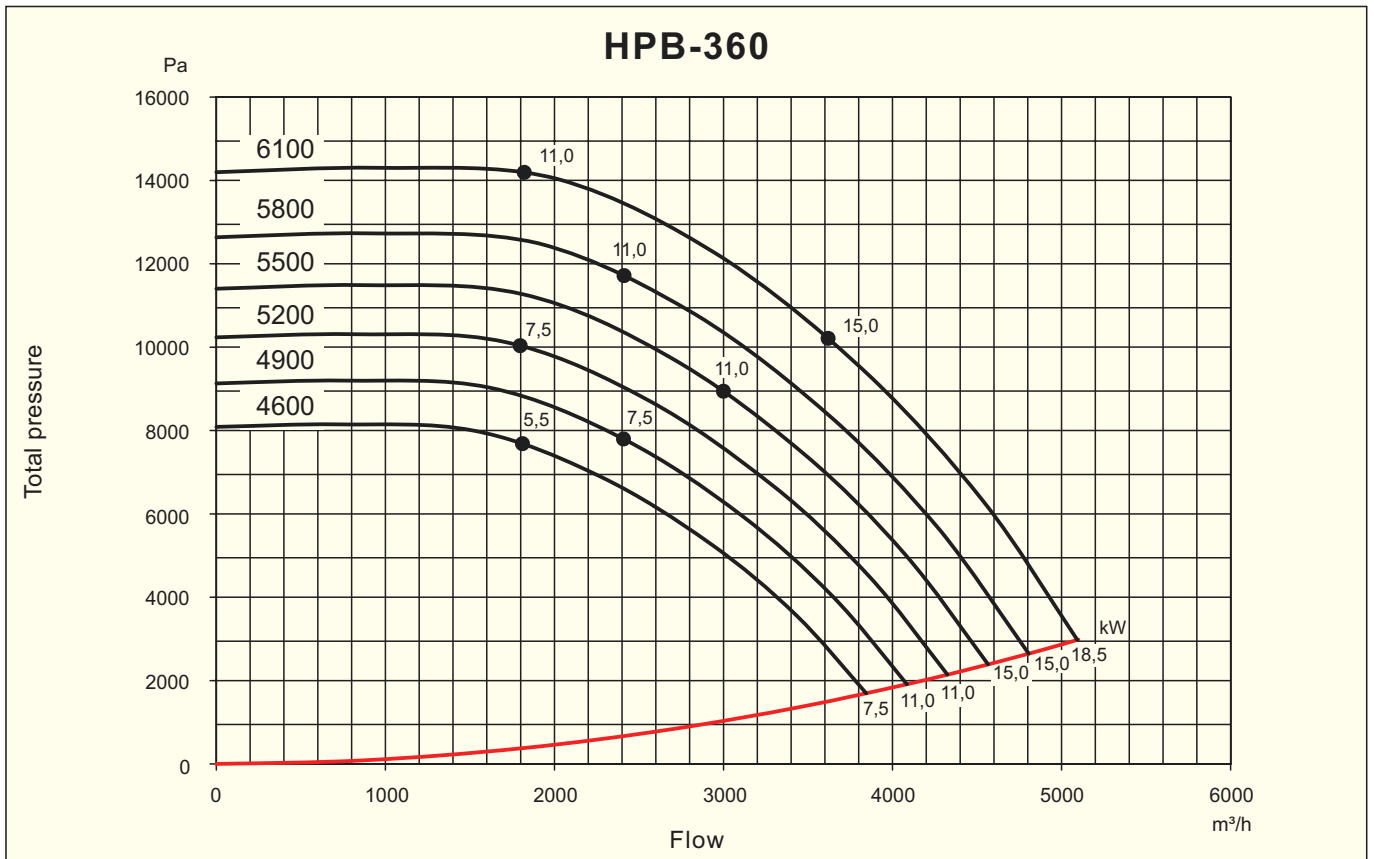


Performance curves



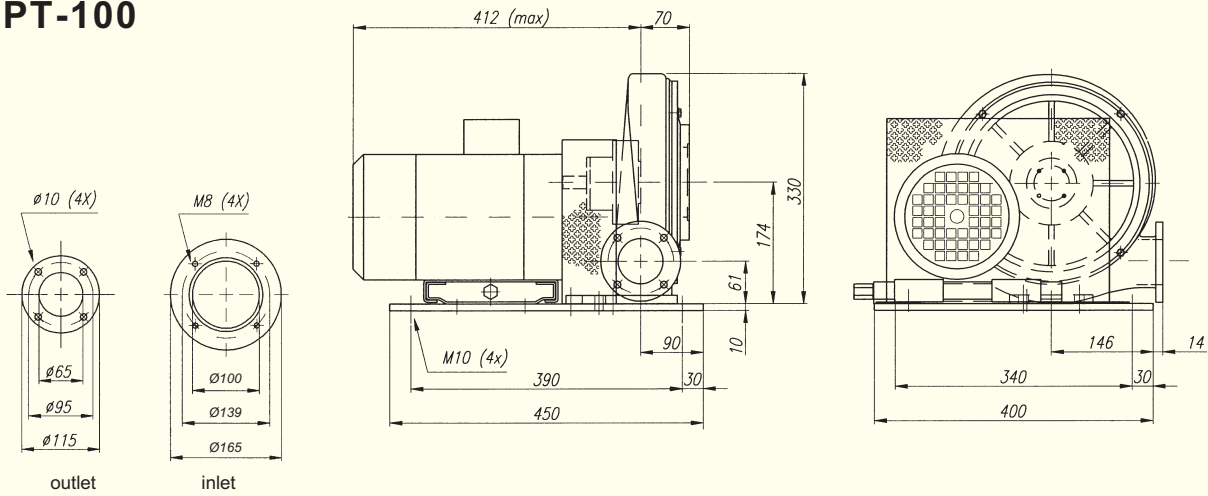




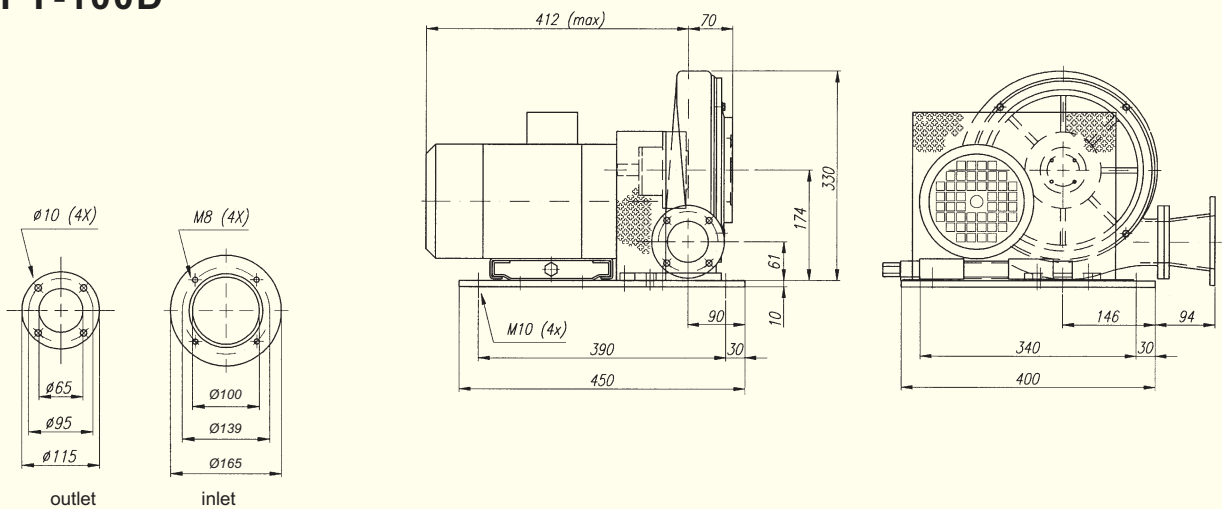


Dimensions in mm

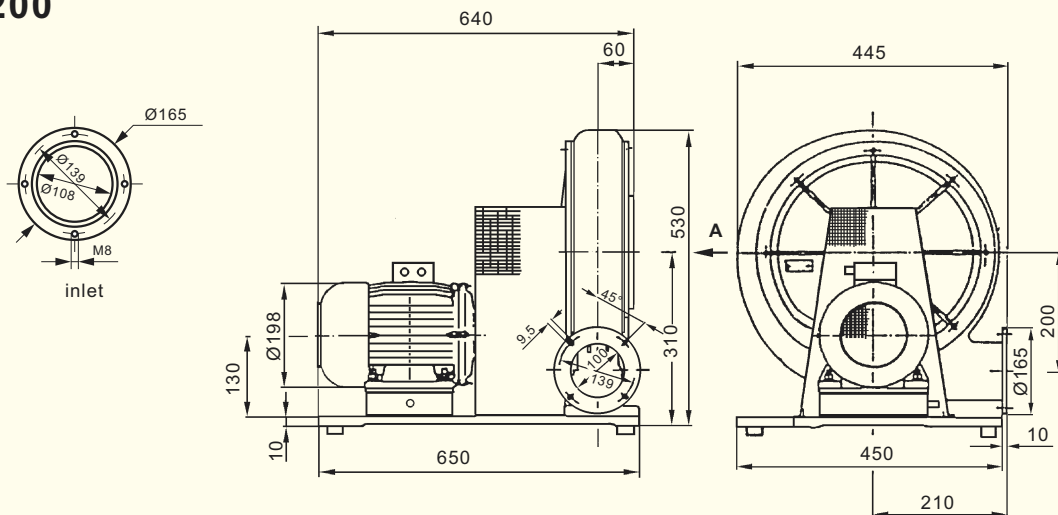
**HPT-100**



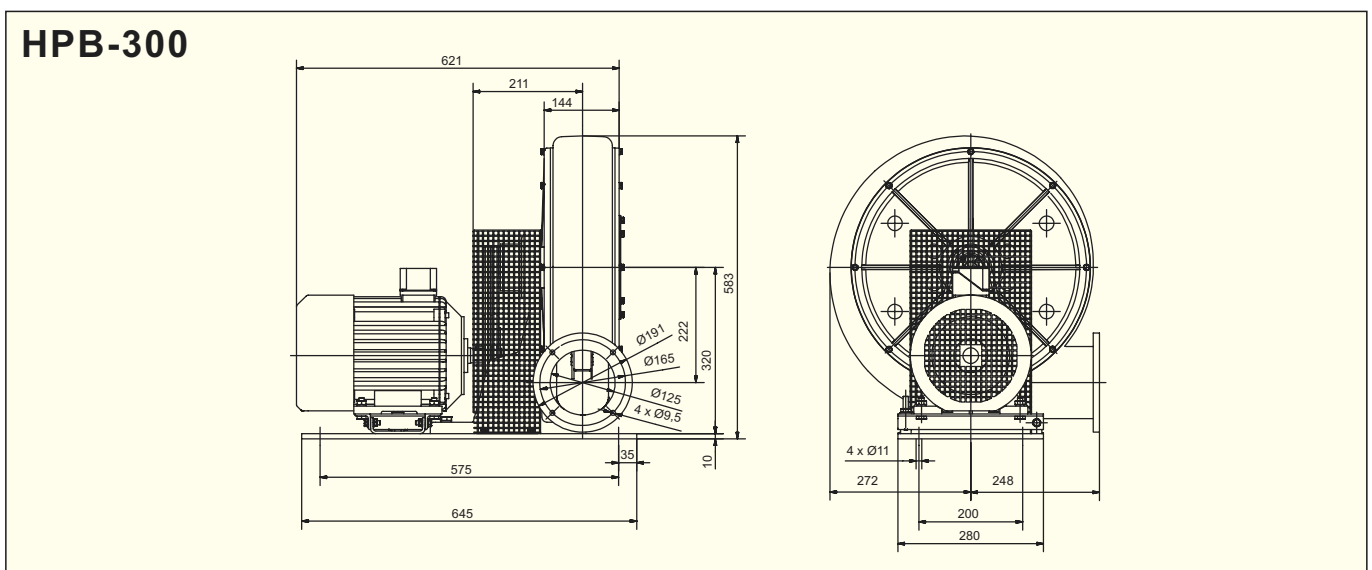
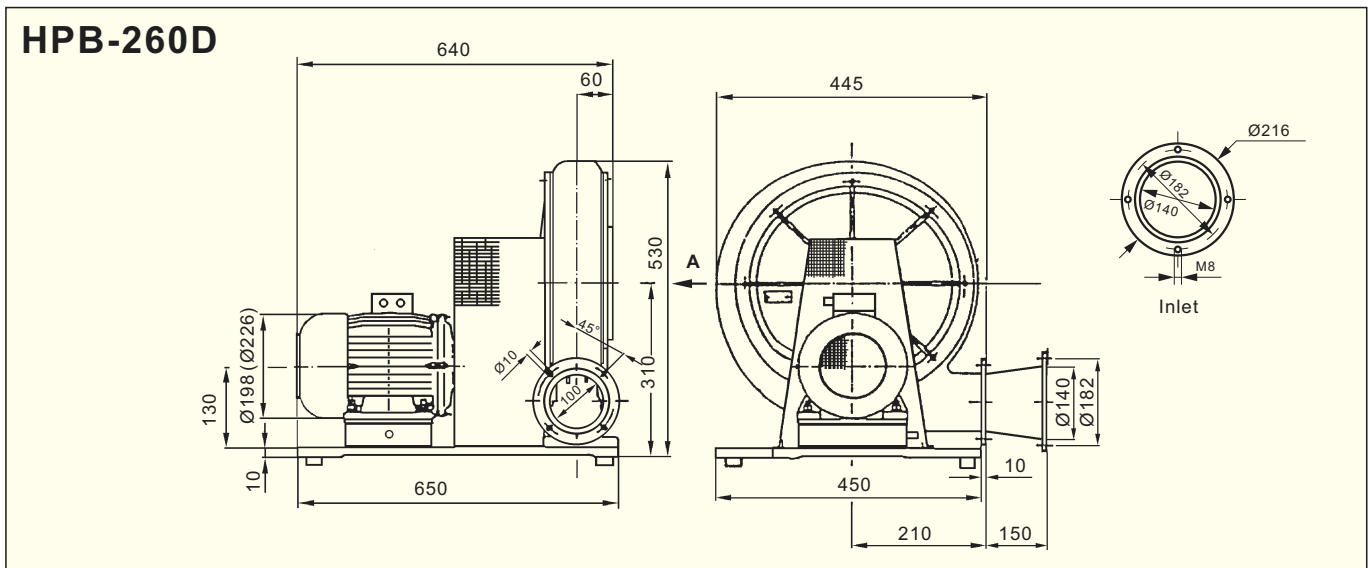
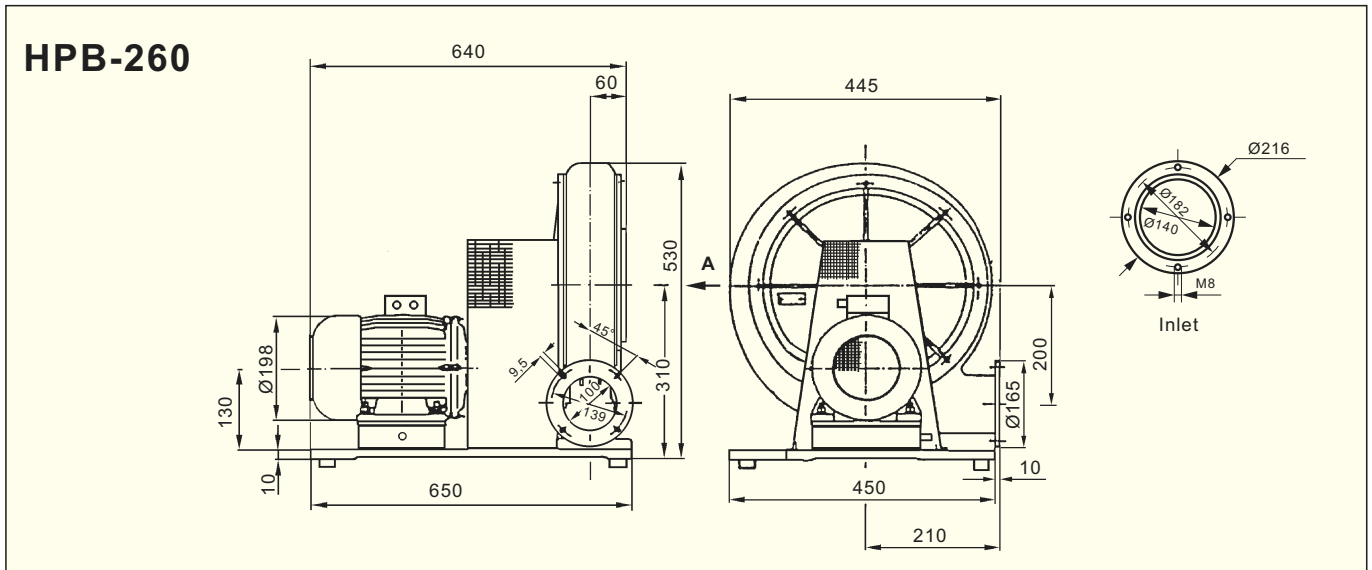
**HPT-100D**



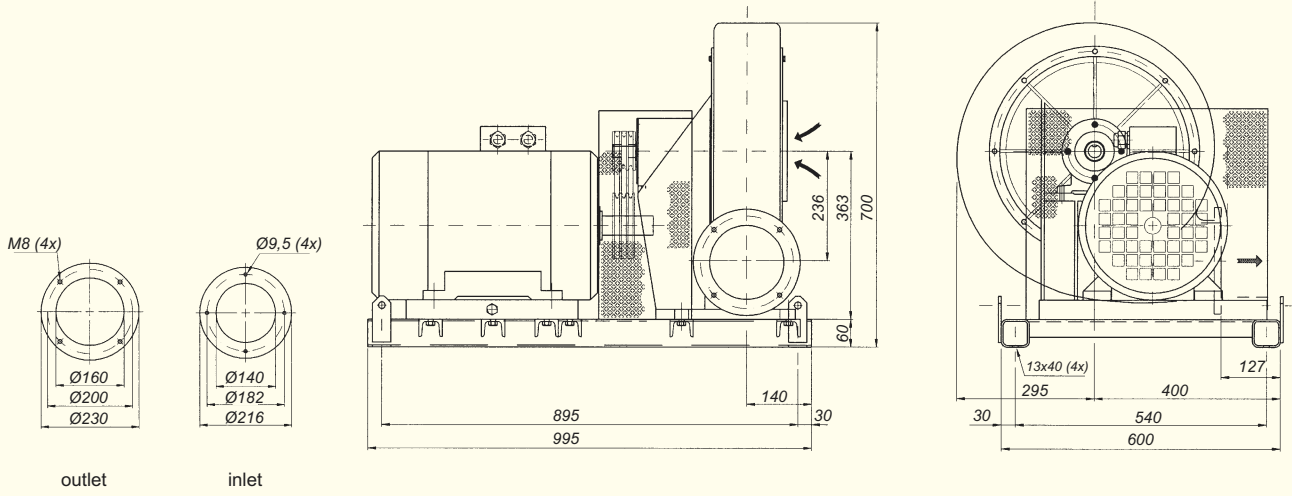
**HPB-200**



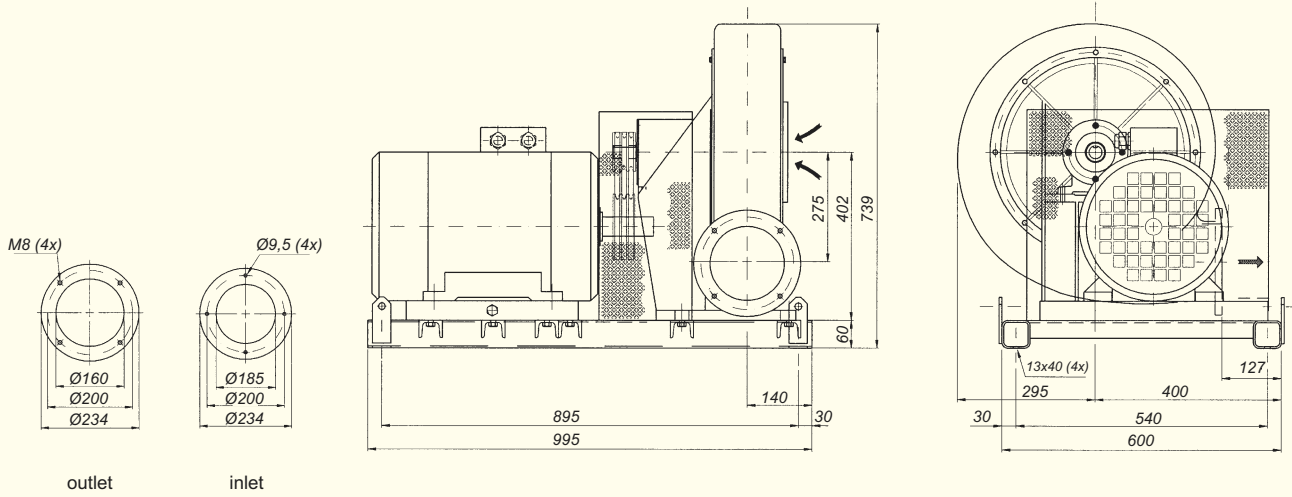
Dimensions in mm

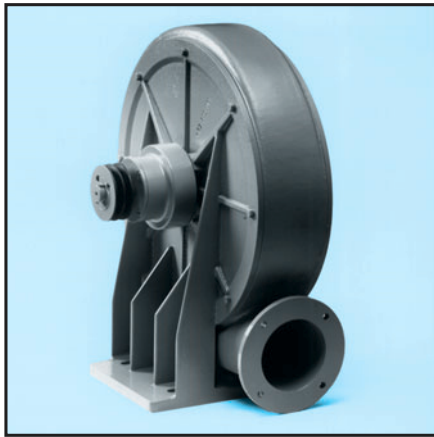


**HPB-360**



**HPR-400**



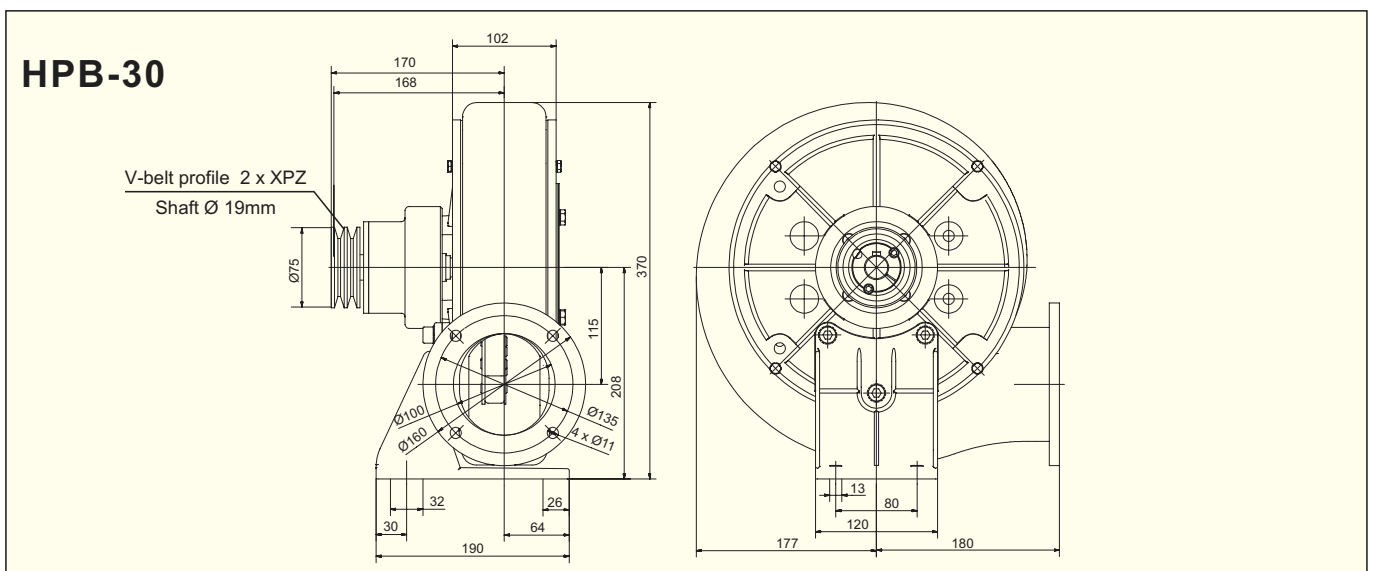
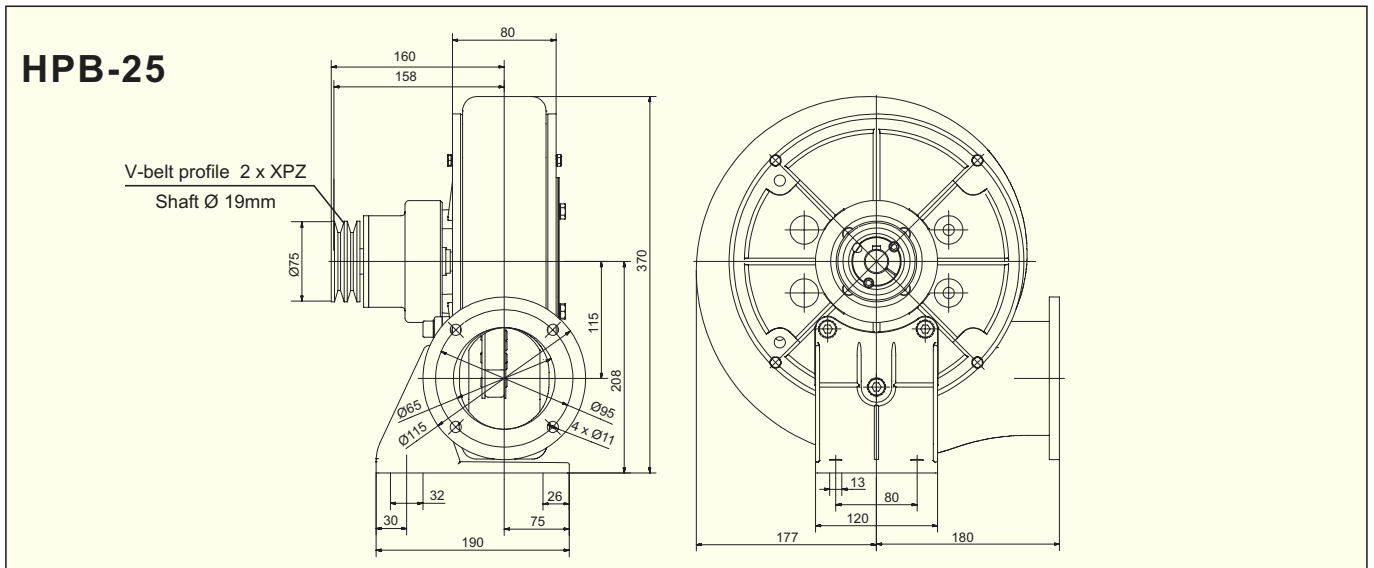


**Technical specification\***

Type	Speed (max) rpm	Motor power kW	Maximum duty m <sup>3</sup> /h	Maximum pressure Pa	Weight kg	Article number*
HPB-25	6600	3,0	950	7000	7,0	113 650 490
HPB-30	6600	3,0	950	7000	9,0	113 650 495
HPT-100	6600	3,0	850	6200	6,0	113 650 500
HPT-100D	6600	3,0	1000	6200	7,0	113 650 510
HPB-200	6600	5,5	2300	12900	19	113 650 520
HPB-260	6600	7,5	2800	12000	19	113 650 530
HPB-260D	6600	7,5	3500	12000	20	113 650 540
HPB-300	6400	11,0	4500	16000	28	113 650 550
HPB-360	6400	18,5	5000	16000	30	113 650 580
HPR-400	5800	30,0	7500	16000	40	113 650 590

\* - bare unit only

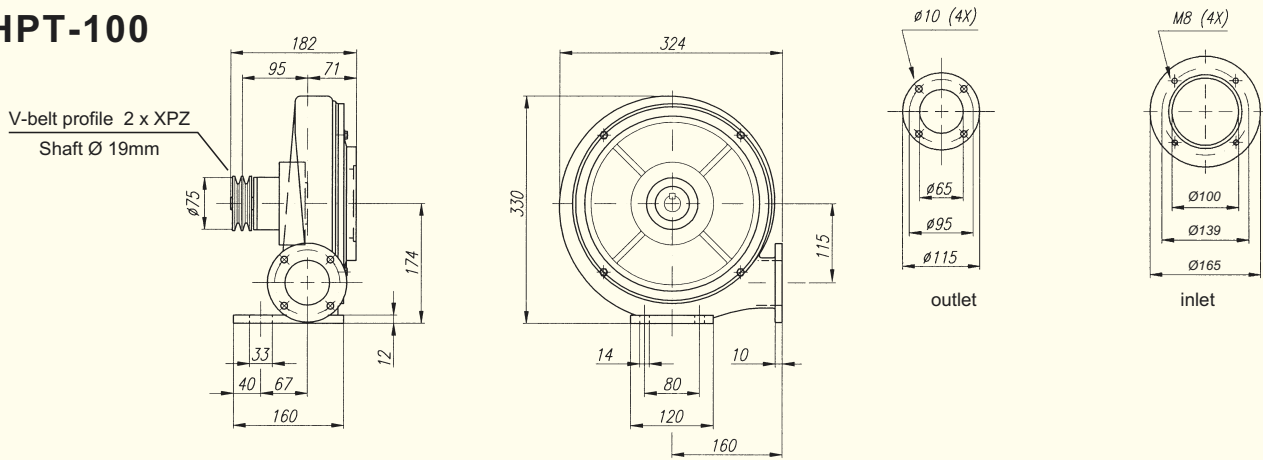
**Dimensions in mm**



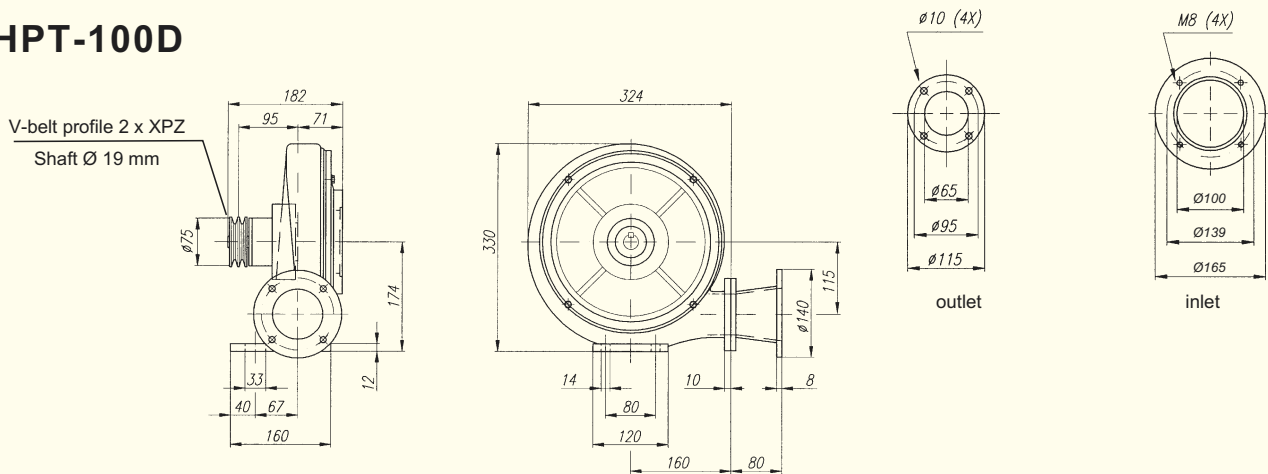


Dimensions in mm

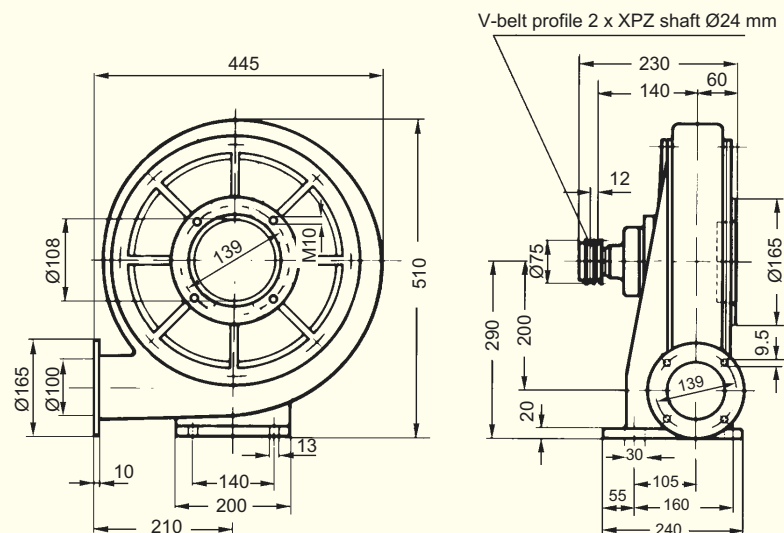
**HPT-100**



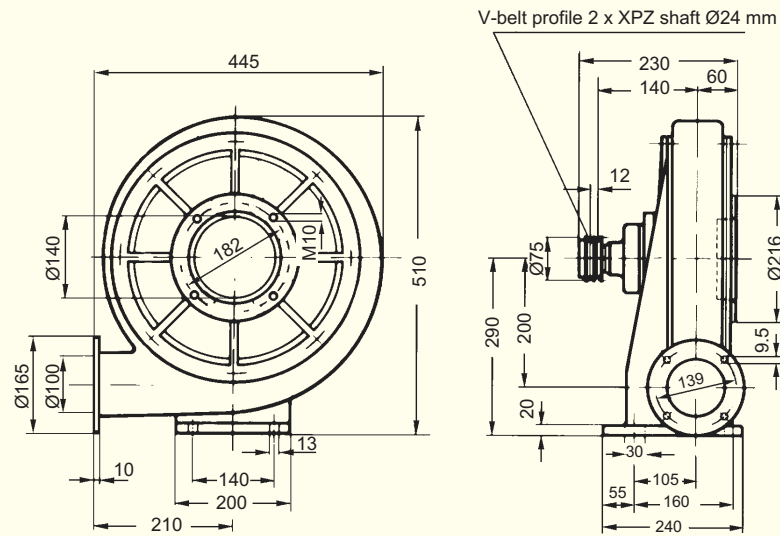
**HPT-100D**



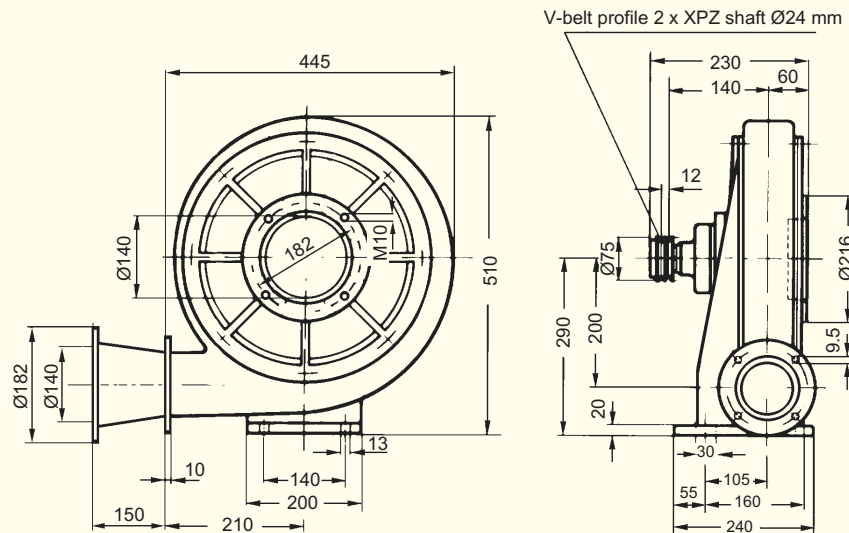
**HPB-200**



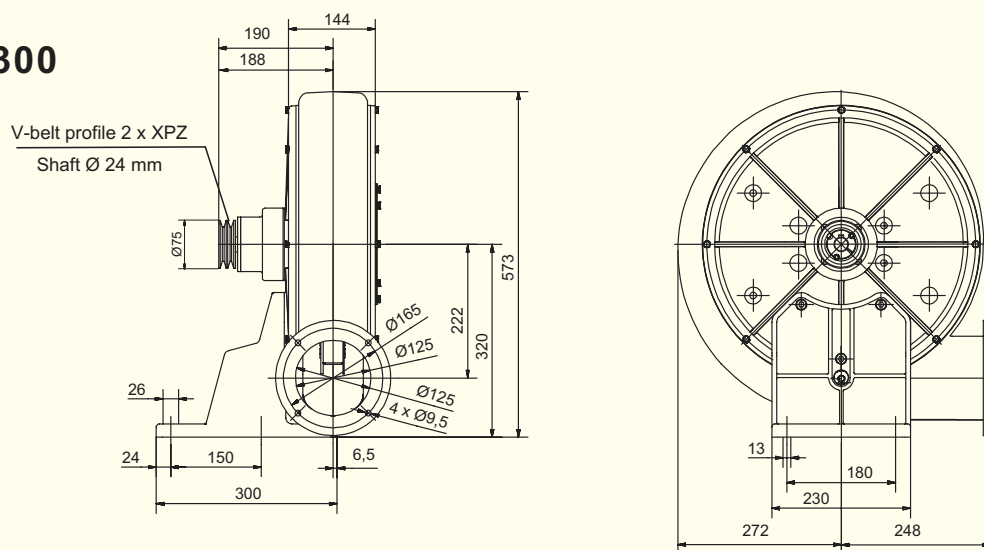
**HPB-260**

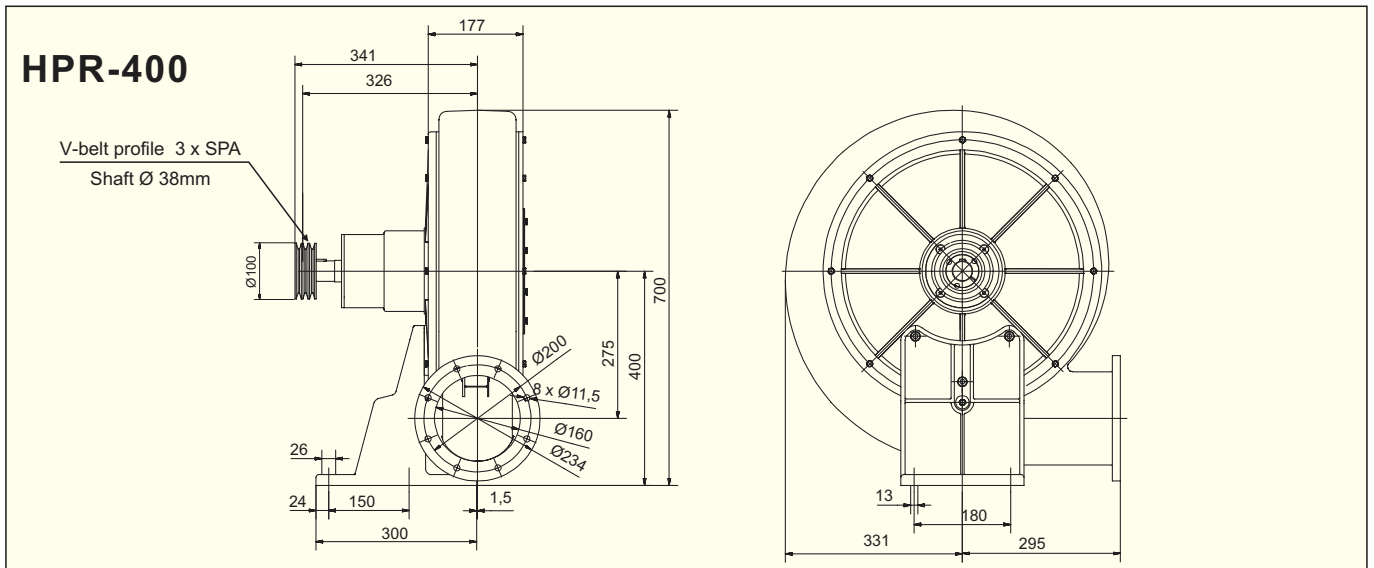
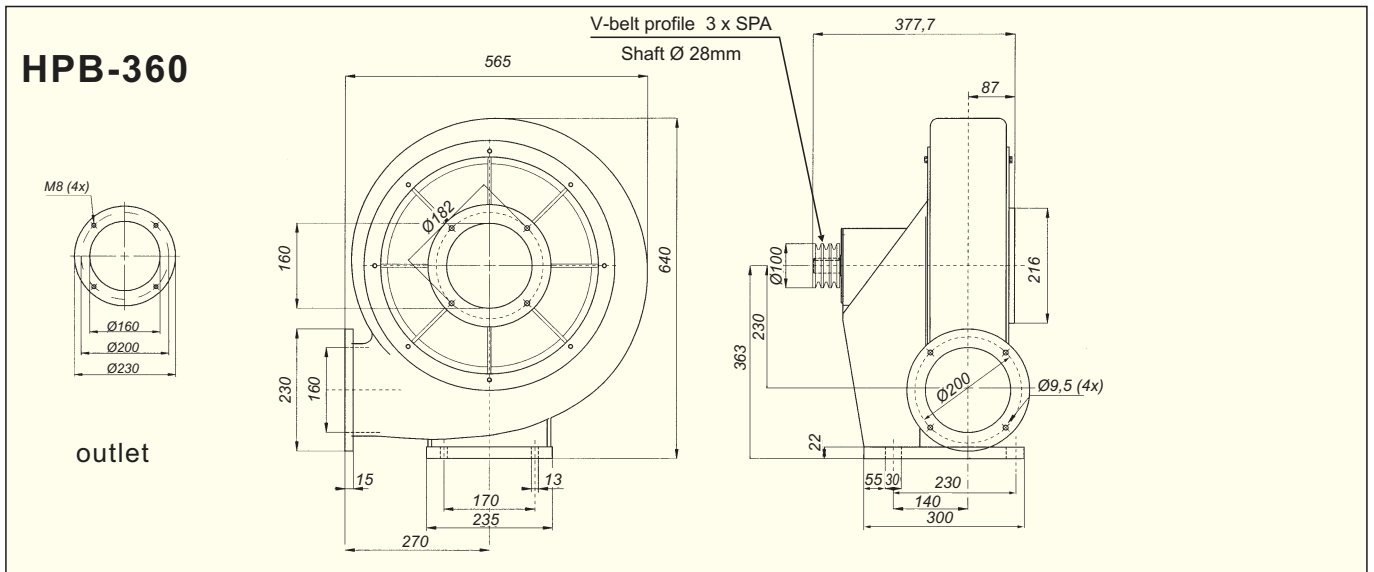


**HPB-260D**

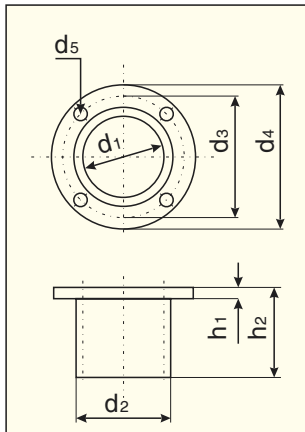


**HPB-300**





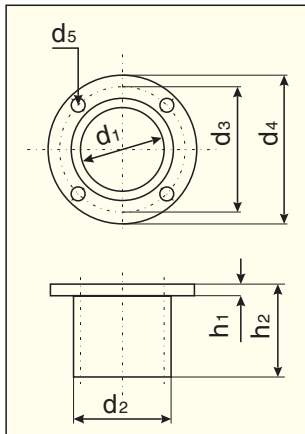
**Connector suction side**



Type	d <sub>1</sub>	d <sub>2</sub>	d <sub>3</sub>	d <sub>4</sub>	d <sub>5</sub>	h <sub>1</sub>	h <sub>2</sub>	Article number
HPB-25	110	125	139	165	9	10	80	113 611 180
HPB-30	110	125	139	165	9	10	80	113 611 180
HPT-100*	100	108						113 561 100*
HPT-100D*	100	108						113 561 125*
HPB-200	110	125	139	165	9	10	80	113 611 180
HPB-260	148	160	182	200	9	10	80	113 611 220
HPB-260D	148	160	182	200	9	10	80	113 611 220
HPB-300	148	160	182	200	9	10	80	113 611 230
HPB-360	148	160	182	200	9	10	80	113 611 220
HPR-400	172	180	200	234	9	10	80	113 611 240

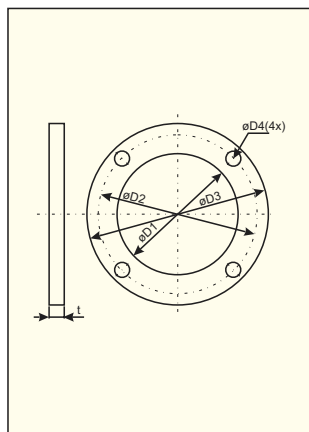
\* - use inlet with connector

**Connector pressure side**



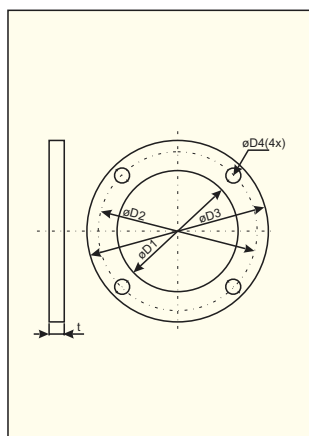
Type	d <sub>1</sub>	d <sub>2</sub>	d <sub>3</sub>	d <sub>4</sub>	d <sub>5</sub>	h <sub>1</sub>	h <sub>2</sub>	Article number
HPB-25	65	76	95	115	10	10	80	113 562 100
HPB-30	65	76	95	115	10	10	80	113 562 100
HPT-100	65	76	95	115	10	10	80	113 562 100
HPT-100D	80	89	112	130	11	10	80	113 562 160
HPB-200	100	112	139	165	9,5	10	80	113 612 180
HPB-260	100	112	139	165	9,5	10	80	113 612 180
HPB-260D	140	150	182	200	10	10	80	113 662 540
HPB-300	125	139	165	190	10	10	80	113 562 270
HPB-360	160	170	200	230	10	11	80	113 562 260
HPR-400	160	170	200	230	10	10	80	113 562 280

**Welding flange suction side**



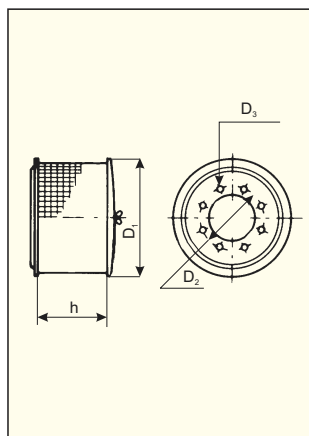
Type	D <sub>1</sub>	D <sub>2</sub>	D <sub>3</sub>	D <sub>4</sub>	t	Article number
HPB-25	110	139	165	9	10	113 617 160
HPB-30	110	139	165	9	10	113 617 160
HPT-100	100	139	165	8,5	10	113 567 100
HPT-100D	100	139	165	8,5	10	113 567 100
HPB-200	110	139	165	9	10	113 617 180
HPB-260	148	182	200	9	10	113 617 220
HPB-260D	148	182	200	9	10	113 617 220
HPB-300	148	182	200	9	10	113 617 230
HPB-360	148	182	200	9	10	113 617 220
HPR-400	172	200	234	9	10	113 617 240

**Welding flange pressure side**

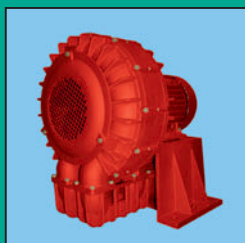
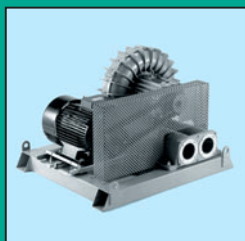


Type	D <sub>1</sub>	D <sub>2</sub>	D <sub>3</sub>	D <sub>4</sub>	t	Article number
HPB-25	65	95	115	10	10	113 613 160
HPB-30	65	95	115	10	10	113 613 160
HPT-100	65	95	115	10	10	113 563 100
HPT-100D	80	112	130	11	10	113 563 160
HPB-200	100	139	165	9,5	10	113 613 180
HPB-260	100	139	165	9,5	10	113 613 180
HPB-260D	140	182	200	10	10	113 663 540
HPB-300	125	165	190	9	10	113 563 270
HPB-360	160	200	230	11	10	113 563 260
HPR-400	160	200	230	10	10	113 563 260

**Filter suction side**



Type	D <sub>1</sub>	D <sub>2</sub>	D <sub>3</sub>	h	Article number
HPB-25	284	139	10	140	113 565 100
HPB-30	284	139	10	140	113 565 100
HPT-100	284	139	10	140	113 565 100
HPT-100D	284	139	10	140	113 565 100
HPB-200	284	139	9	190	113 615 180
HPB-260	284	182	9	300	113 615 220
HPB-260D	284	182	9	300	113 615 220
HPB-300	284	182	9	300	113 615 220
HPB-360	560	182	10	395	113 565 260
HPR-400	560	200	9	395	113 565 270



SC	192
SC - V-belt drive	201
DSC, PSC	205
Accessories	211

In-Line Fans

Axial-flow Fans Wall Versions

Axial-flow Fans Cased Versions

Roof Fans

Fans "ATEX"

Centrifugal Fans VISP/VASP

Centrifugal Fans

Side Channel Blowers

Chip Extractors

Domestic Fans

Accessories

Electric Diagrams

General Information

Index



### Construction

Direct driven side channel blowers designed for oil free conveying of non explosive and non aggressive medium. These blowers are suitable for either pressure or vacuum systems. All blower parts are of cast aluminium, highly resistant to corrosion. Silencer on the discharge- and intake side is standard. The blowers are suitable for mounting in a vertical or horizontal position. V-belt driven blowers or blowers with customer adjusted capacity can be supplied on request.

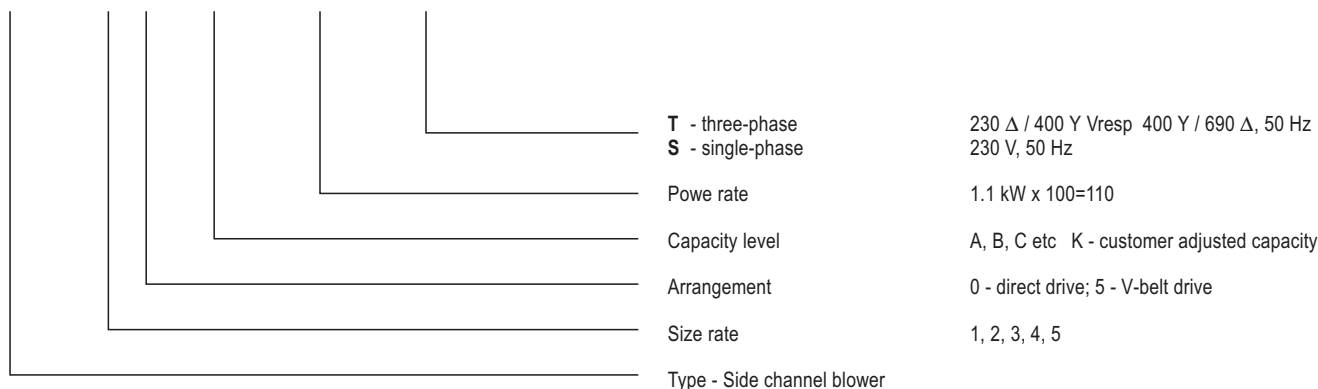
### Motor

220-240/380-420V, 50Hz (380-420/660-690V over 3kW) three-phase or 220-240V, 50Hz single-phase asynchronous motor with capacitor. Insulation class F, enclosure IP55. Special voltage or frequency, improved enclosure IP65, 2-speed motors and explosion proof motors can be supplied on request. Wiring diagram, see page 235.

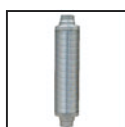
The performance curves hold with a tolerance of  $\pm 10\%$  for pressure and  $\pm 10\%$  for air flow and at an inlet temperature of  $+15^\circ\text{C}$ , at an atmospheric pressure of 1013 mbar and at an ambient temperature of  $25^\circ\text{C}$ . We reserve the right for construction- and capacity changes without prior notice. We take no responsibility what so ever for any printing errors in the catalogue. Unbroken curves hold at continuous running and with an ambient temperature of max.  $+40^\circ\text{C}$ . If higher pressure/vacuum is required, 2-step designs or belt drive are recommended.

### Model numbering system

SC 20 A 110 T



### Accessories (see page 211)



Silencer with connector



Connector



Welding flange



Threaded flange



Filter

## Side channel blowers three-phase

Type	Motor power	Voltage	Maximum current	Maximum duty	Sound level**	Weight	Article number
	kW	V	A	m³/h	dB (A)	kg	
SC10A-037T	0,37	230 / 400	1,76 / 1,02	110	71	15,0	113 750 120
SC10A-055T*	0,55	230 / 400	2,35 / 1,35	110	72	16,0	113 750 125
SC10C-055T	0,55	230 / 400	2,35 / 1,35	110	72	16,0	113 750 130
SC10C-075T	0,75	230 / 400	3,3 / 1,9	110	73	18,5	113 750 135
SC20A-110T*	1,10	230 / 400	4,3 / 2,5	190	75	22,0	113 750 185
SC20A-150T	1,50	230 / 400	5,9 / 3,4	190	77	24,5	113 750 190
SC20C-110T	1,10	230 / 400	4,5 / 2,5	190	75	22,0	113 750 200
SC20C-150T*	1,50	230 / 400	5,9 / 3,4	190	77	24,5	113 750 205
SC30A-220T*	2,20	230 / 400	8,0 / 4,6	320	78	36,0	113 750 270
SC30A-300T	3,00	230 / 400	11,3 / 6,5	320	80	40,0	113 750 272
SC30C-220T	2,20	230 / 400	8,0 / 4,6	320	78	36,0	113 750 275
SC30C-300T*	3,00	230 / 400	11,3 / 6,5	320	81	40,0	113 750 283
SC40A-550T*	5,50	400 / 690	10,6 / 6,1	650	84	70,0	113 750 330
SC40A-750T*	7,50	400 / 690	14,0 / 8,1	650	85	73,0	113 750 335
SC40C-550T*	5,50	400 / 690	10,6 / 6,1	650	84	70,0	113 750 350
SC40C-750T*	7,50	400 / 690	14,0 / 8,1	650	86	73,0	113 750 352
SC50A-750T	7,50	400 / 690	14,0 / 8,1	1100	82	126,0	113 750 400
SC50A-1100T*	11,00	400 / 690	21,2 / 12,2	1100	84	128,0	113 750 411
SC50A-1500T	15,00	400 / 690	27,2 / 15,7	1100	87	155,0	113 750 420
SC50C-750T	7,50	400 / 690	14,0 / 8,1	1100	84	126,0	113 750 450
SC50C-1100T*	11,00	400 / 690	21,2 / 12,2	1100	86	128,0	113 750 455
SC50C-1500T	15,00	400 / 690	28,0 / 15,7	1100	88	155,0	113 750 460

\*\* - with silencer

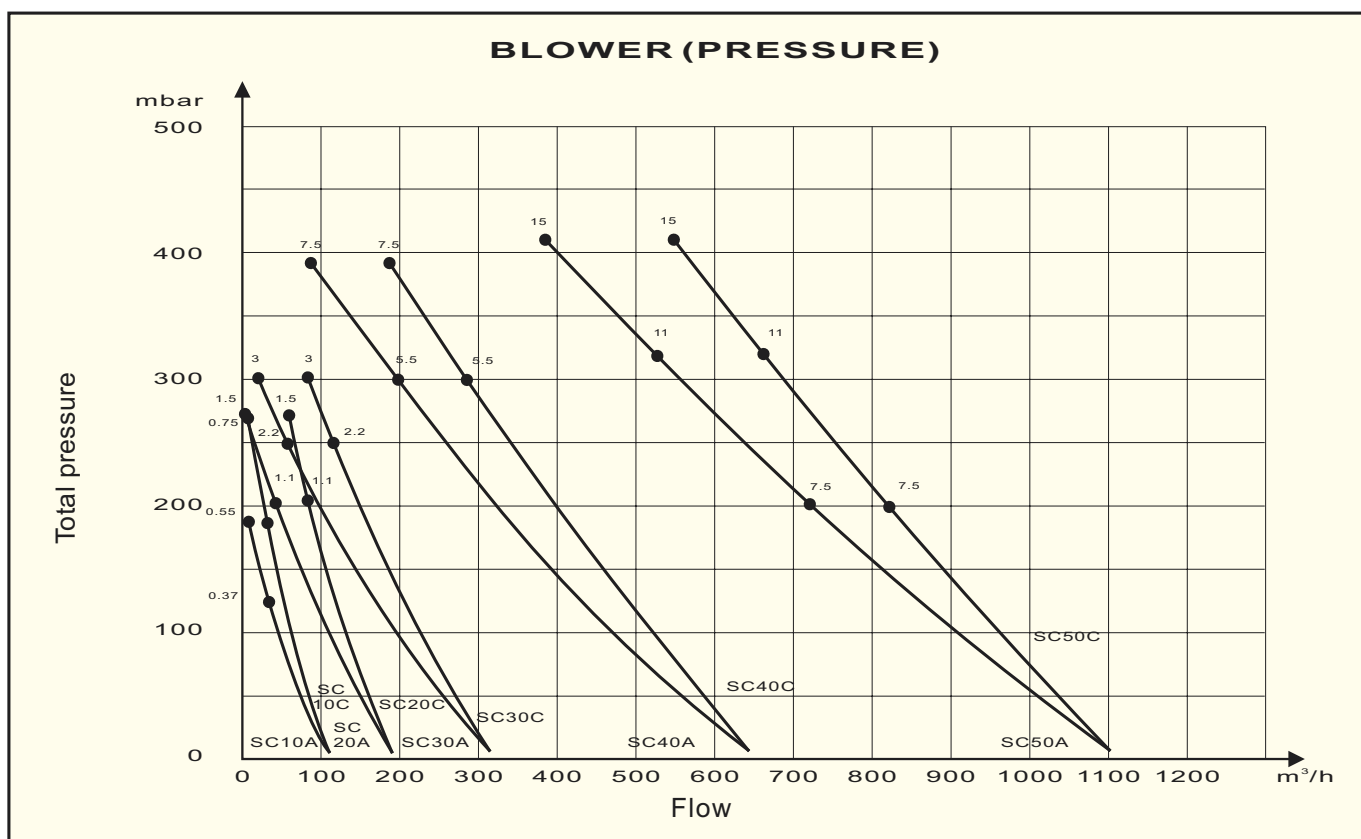
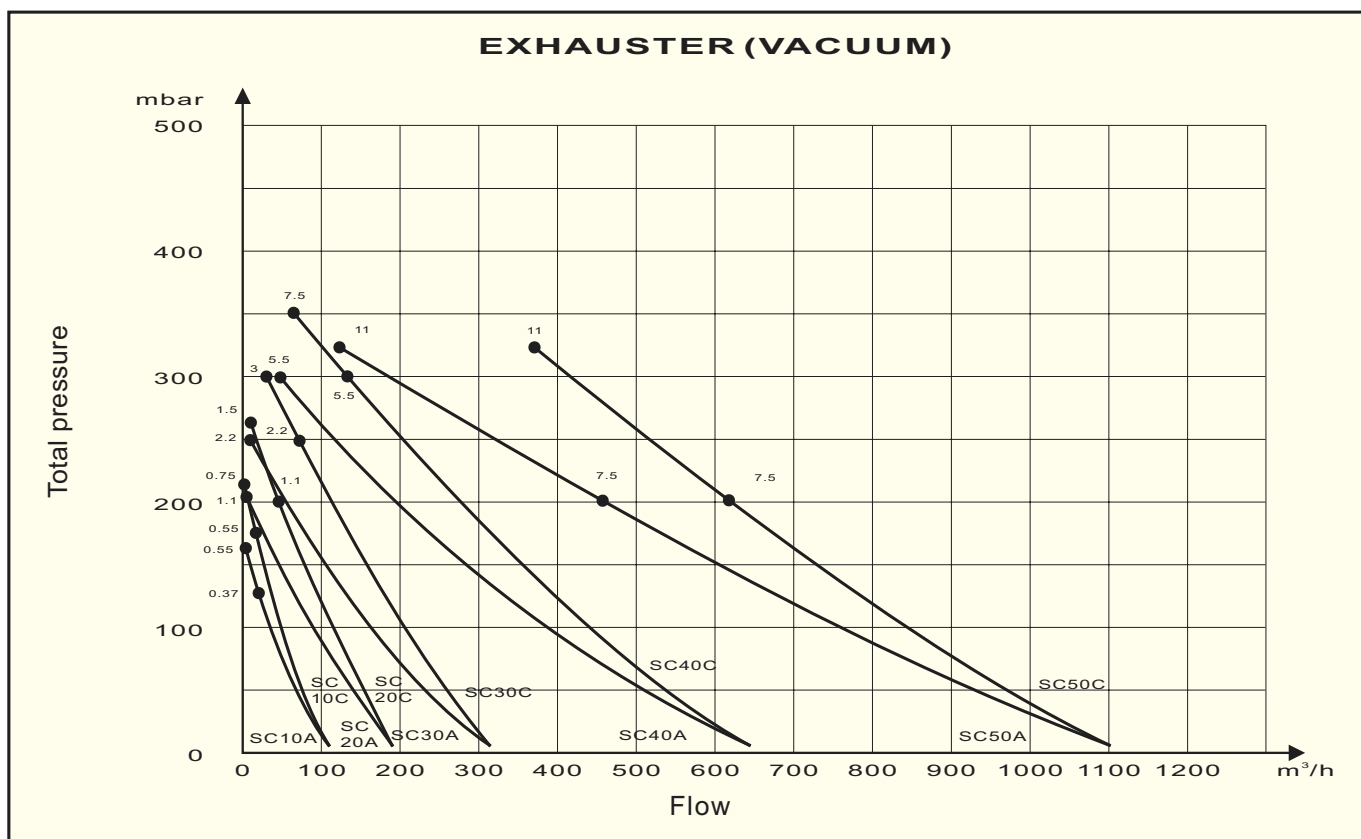
## Side channel blowers single-phase

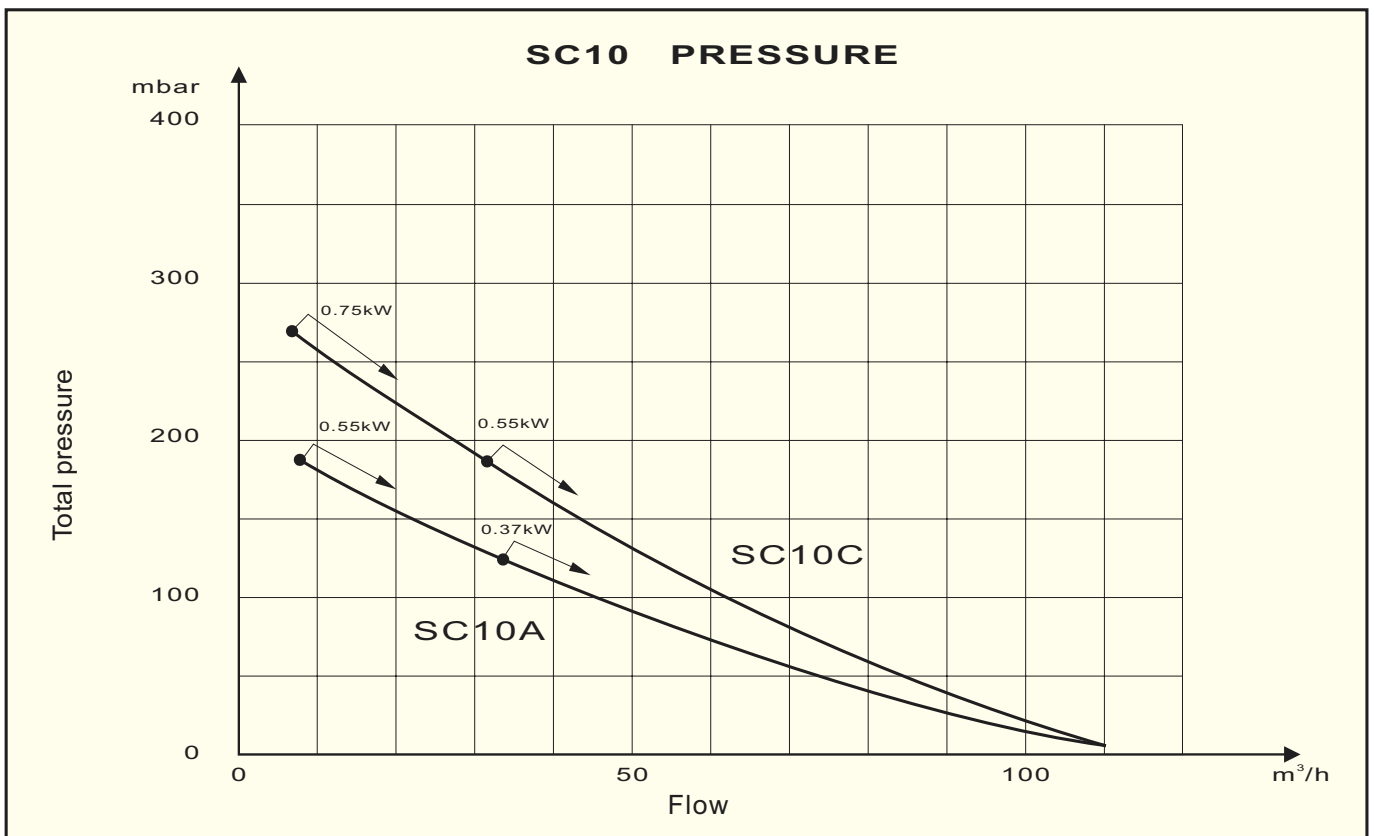
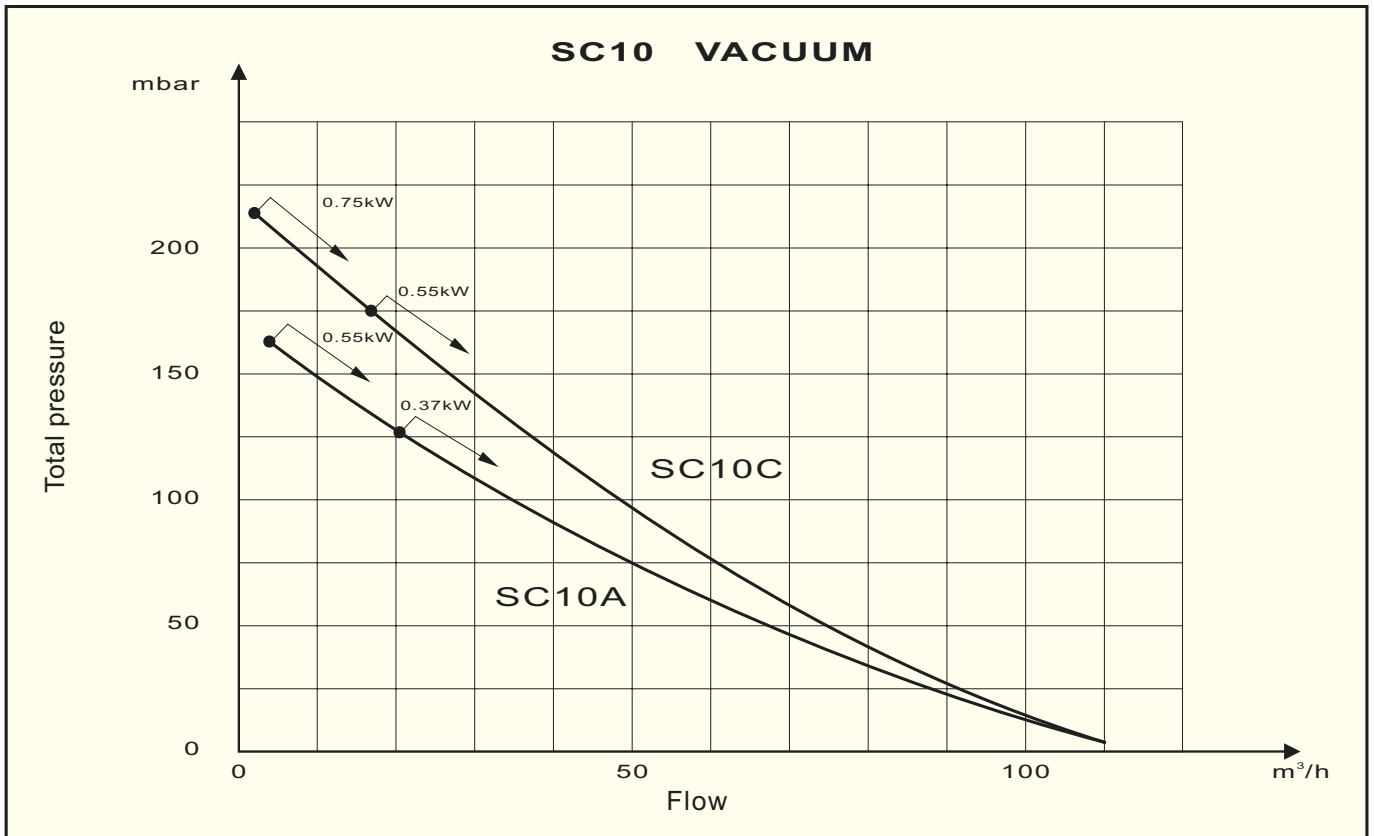
SC10A-037S	0,37	230	2,9	110	71	18,0	113 750 150
SC10A-055S*	0,55	230	4,0	110	72	19,0	113 750 155
SC10C-055S	0,55	230	4,0	110	72	19,0	113 750 160
SC10C-075S	0,75	230	5,2	110	72	21,5	113 750 165
SC20A-110S*	1,10	230	7,9	190	75	25,0	113 750 225
SC20A-150S	1,50	230	8,7	190	77	26,0	113 750 230
SC20C-110S	1,10	230	7,9	190	75	25,0	113 750 235
SC20C-150S	1,50	230	8,7	190	77	26,0	113 750 240
SC30A-220S	2,20	230	14,0	320	78	39,0	113 750 290

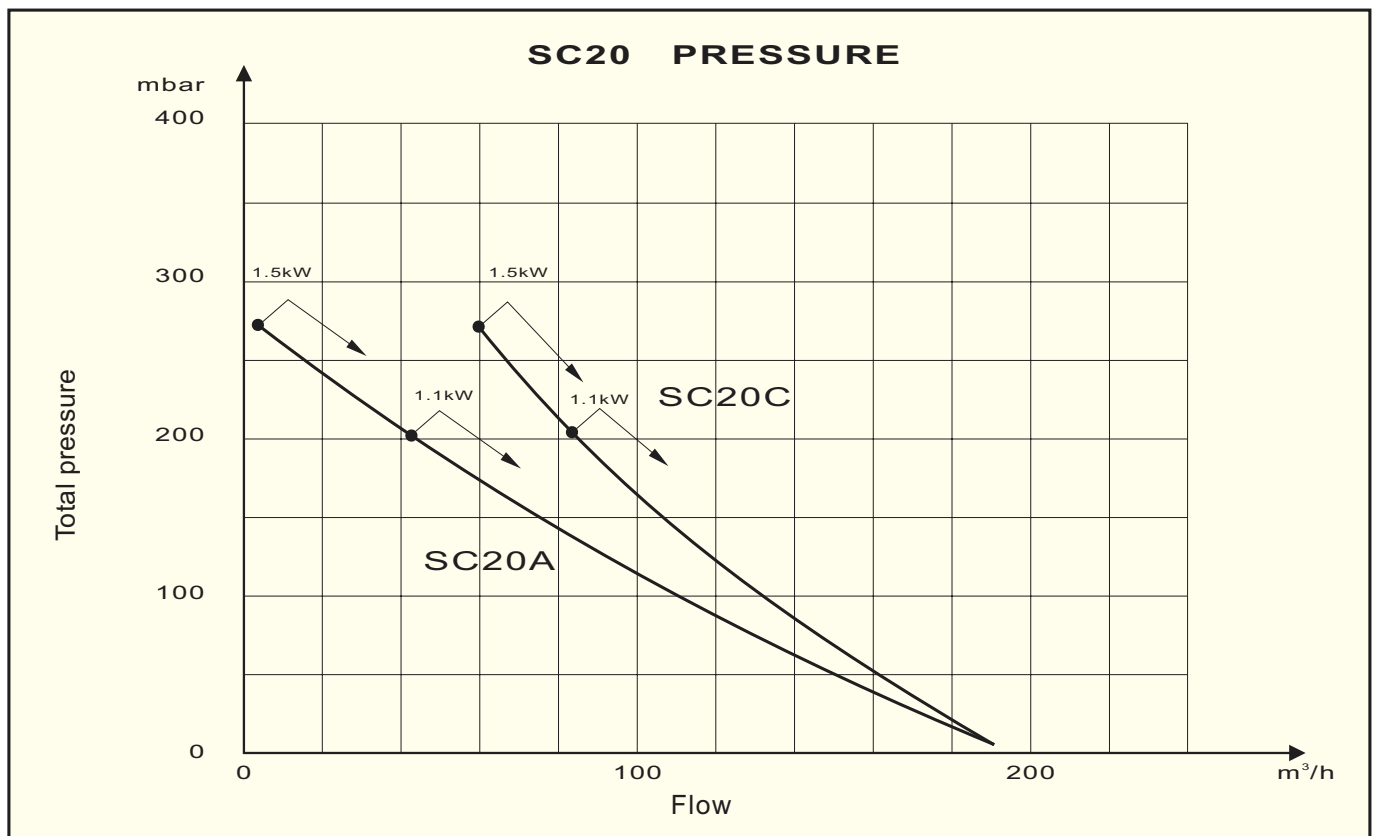
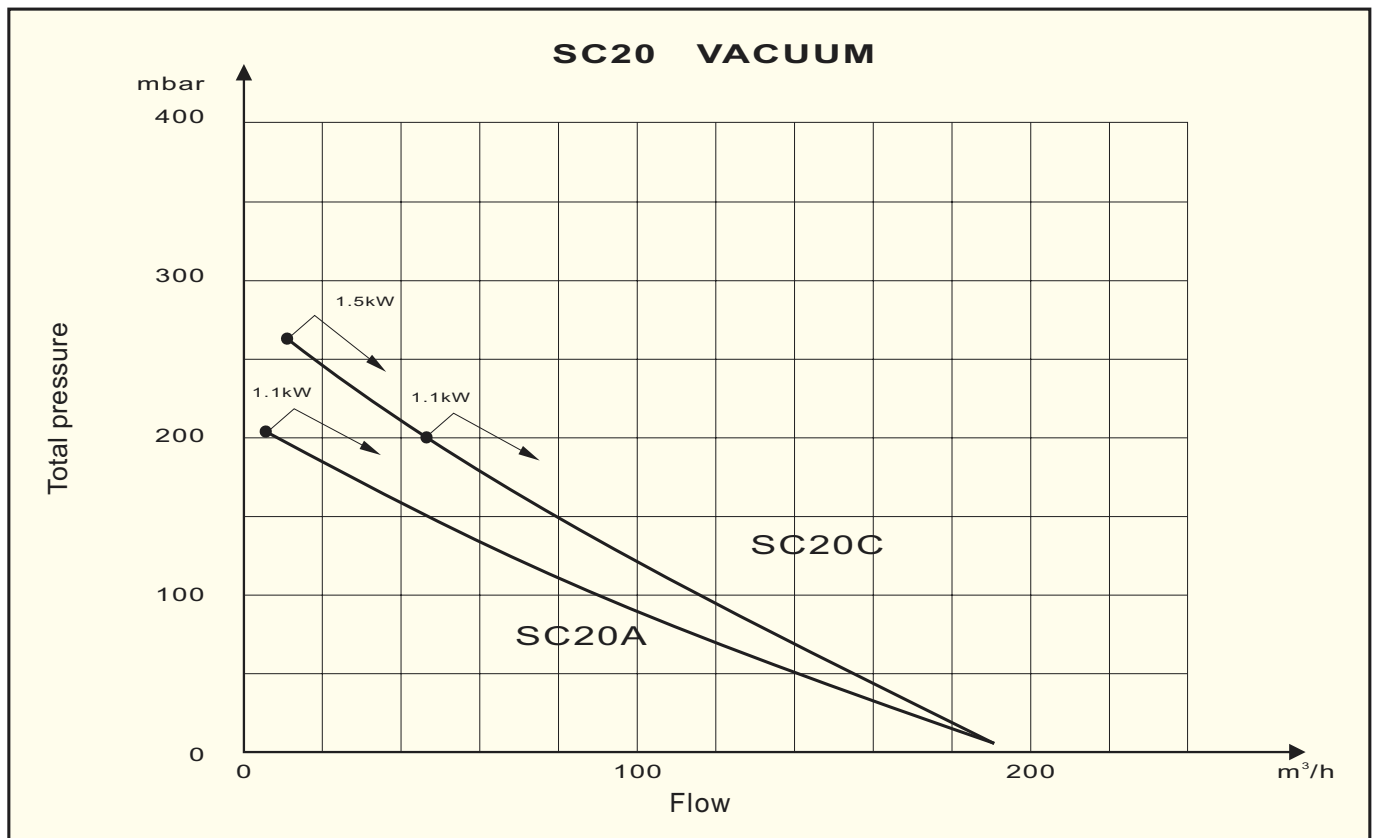
\* - in stock

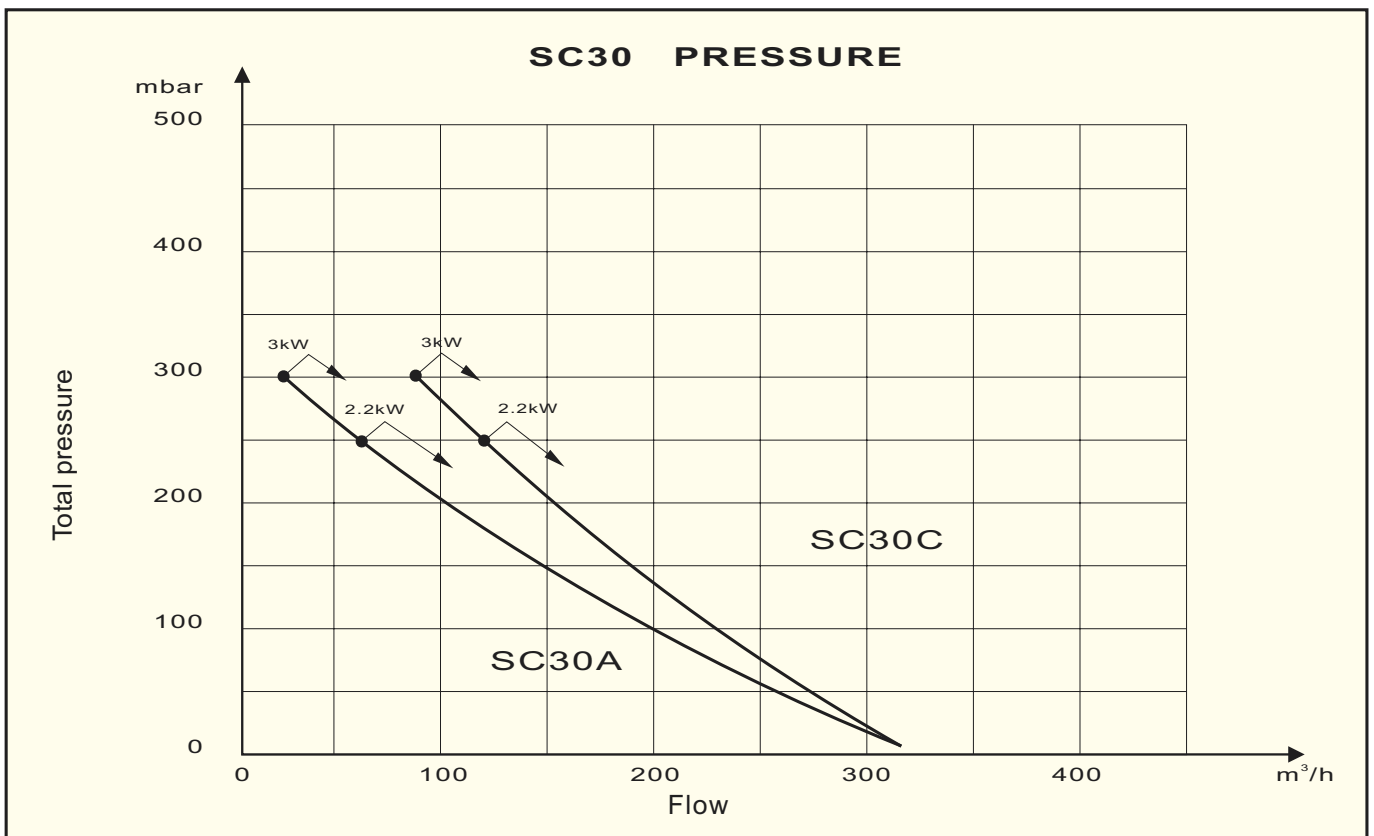
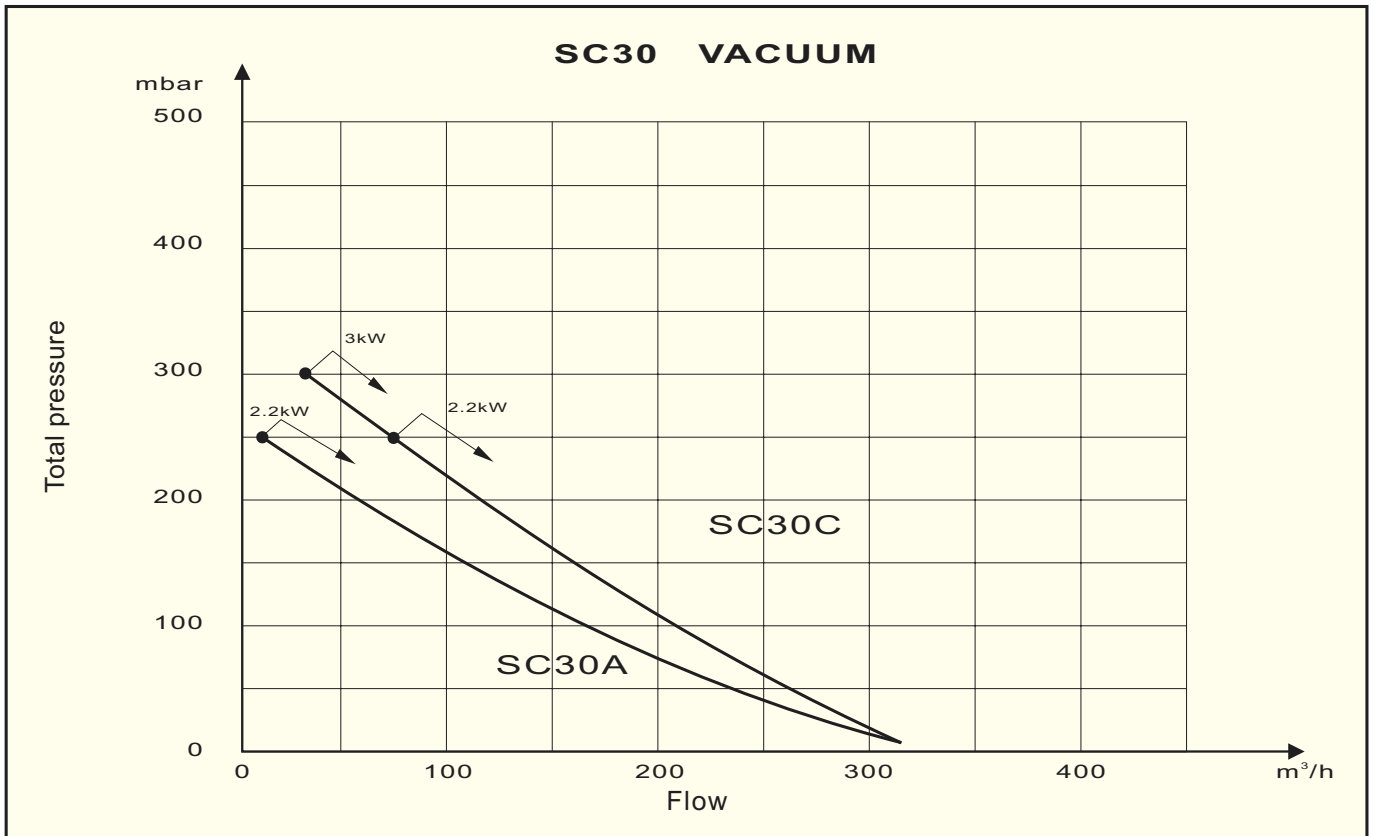


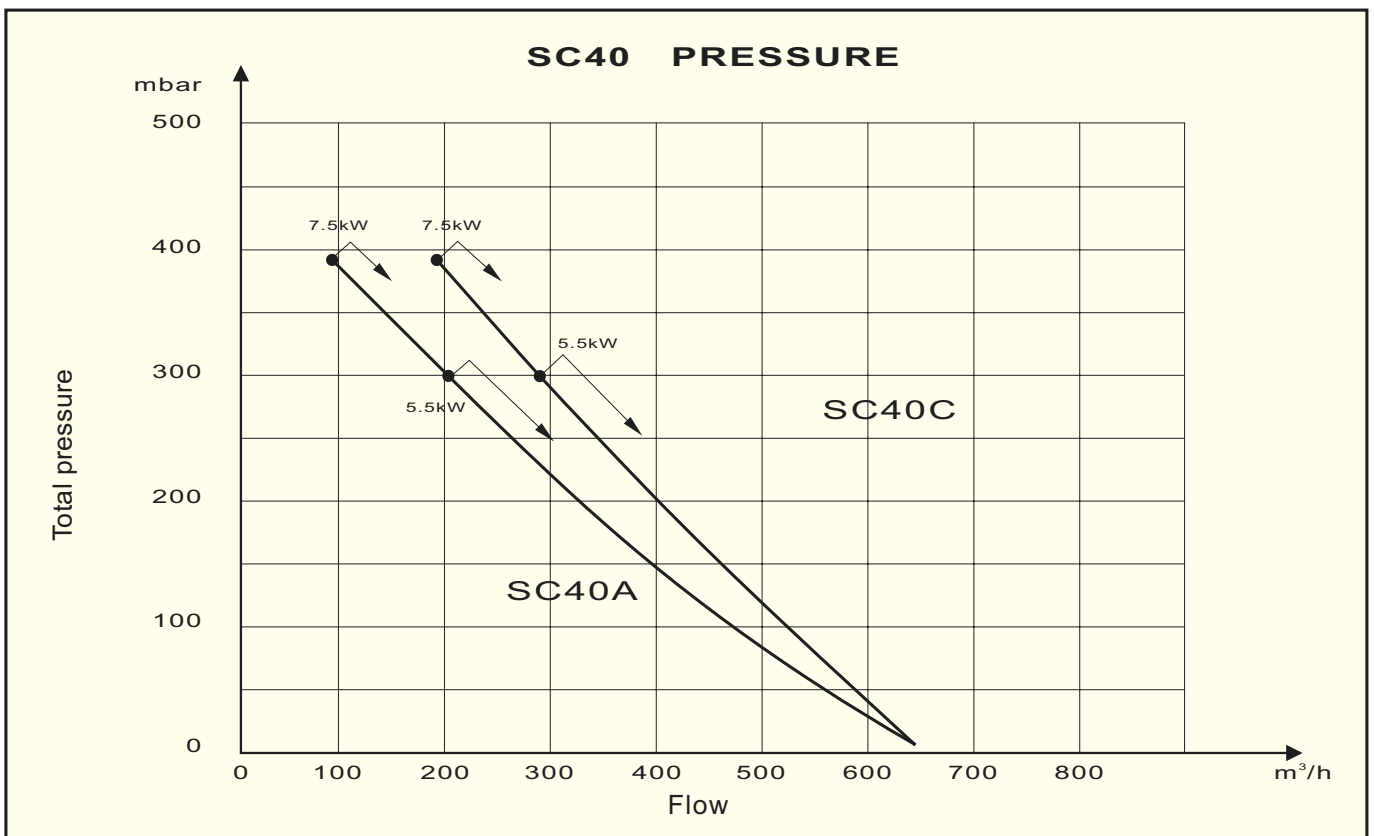
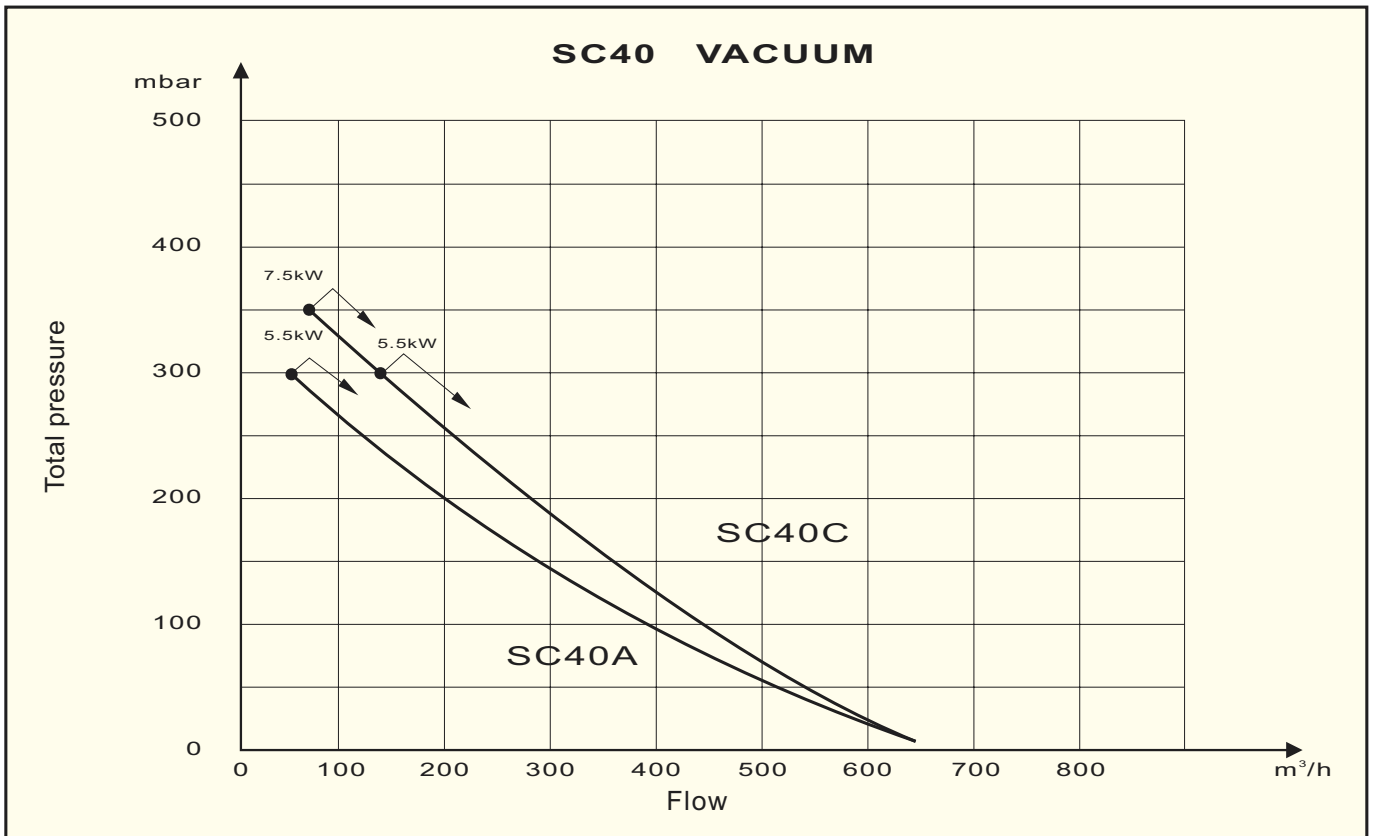
Performance curves

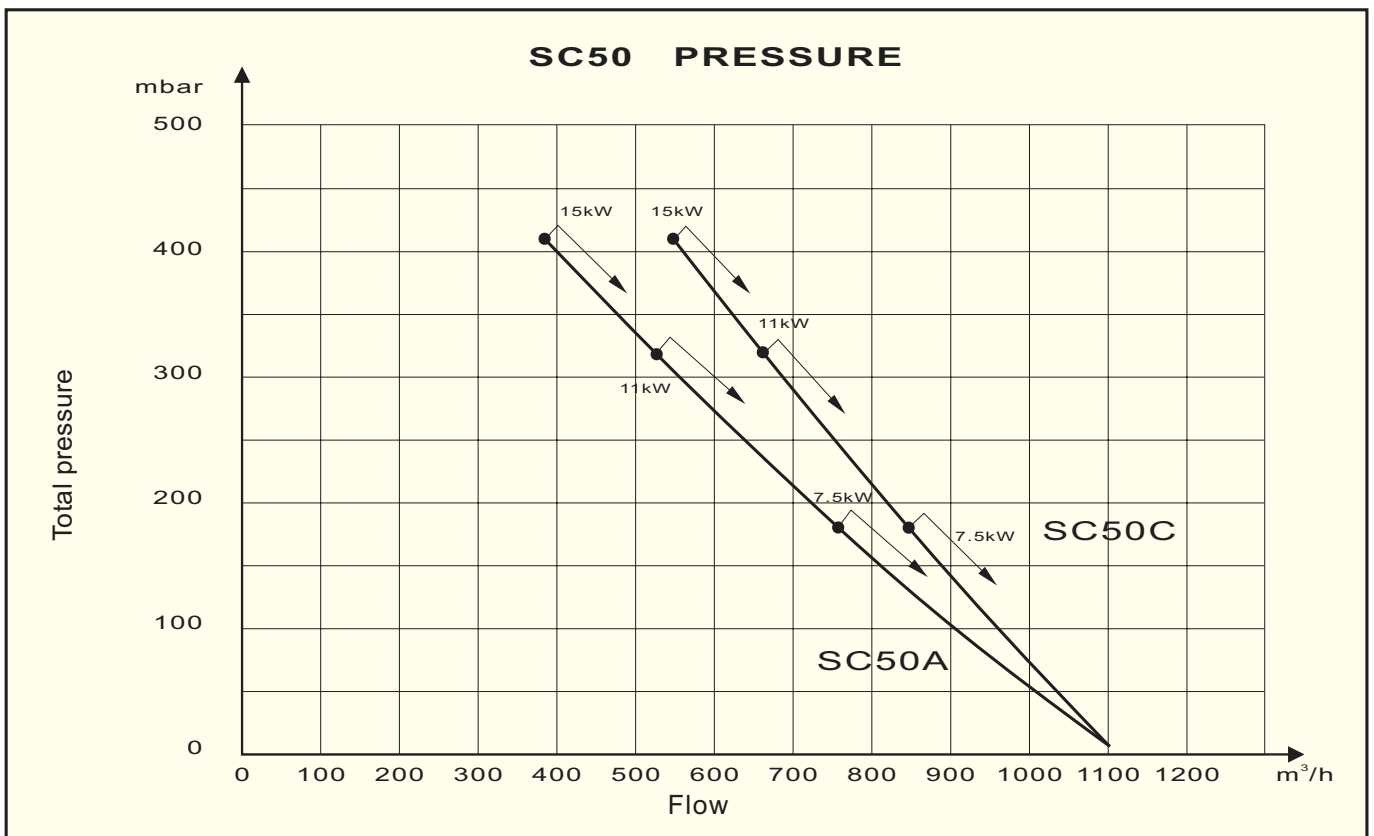
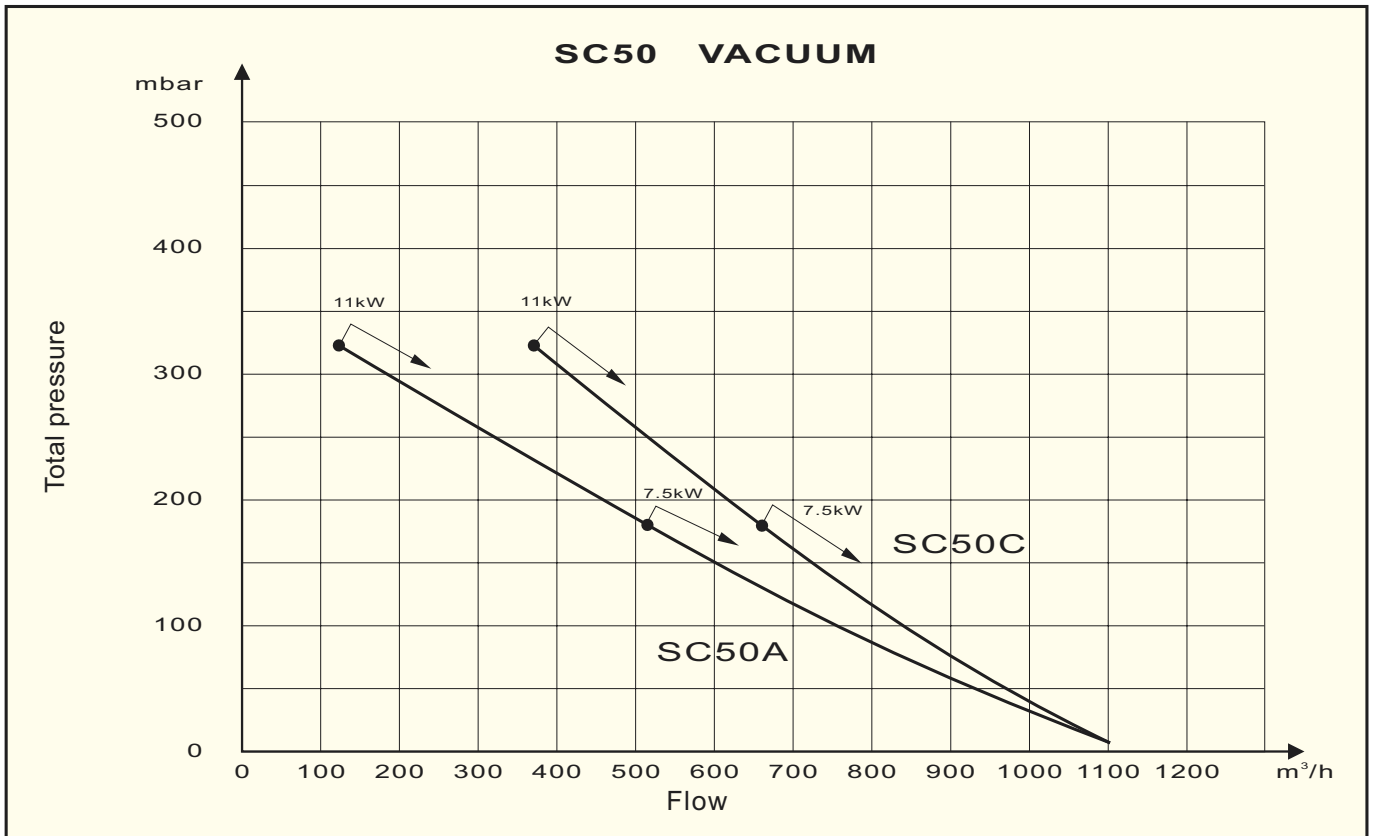


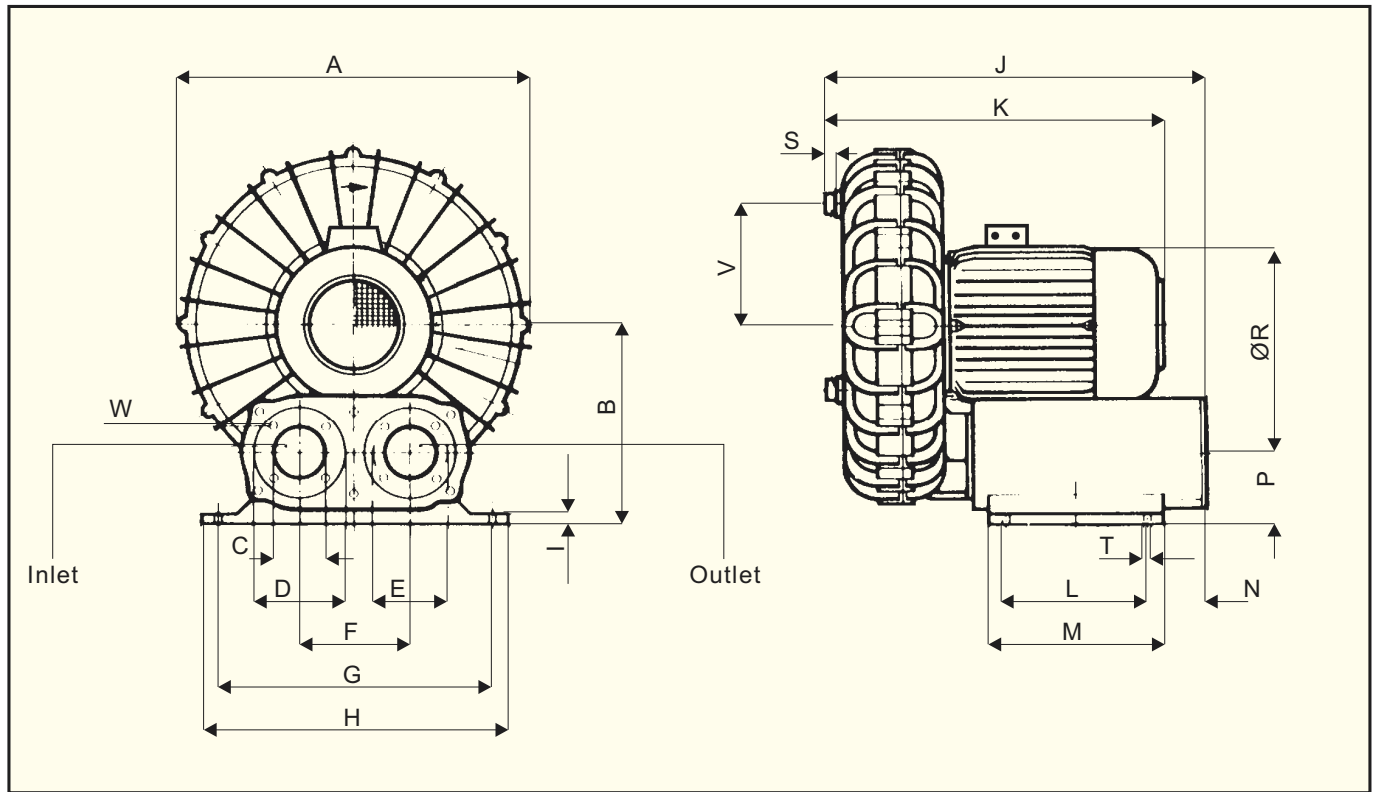












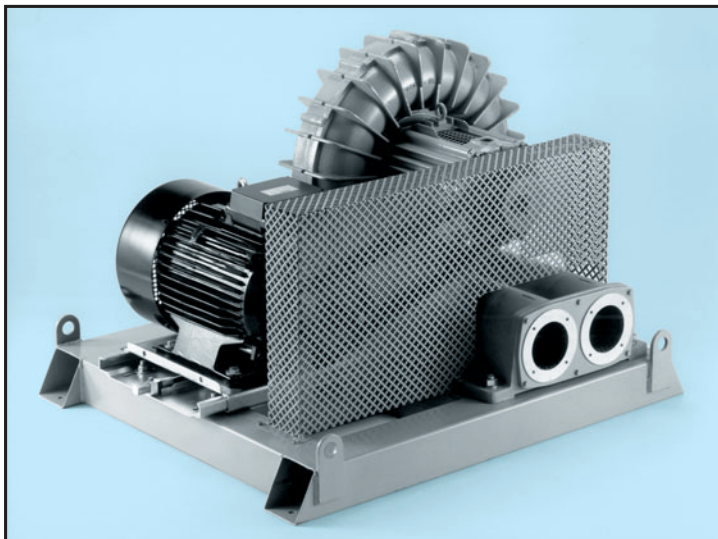
**Dimensions in mm**

Type	A	B	C	D	E	F	G	H	I	J	K (max)	L	M	N	P	R	S	T	W	V
SC10	296	170	45	80	68	90	220	250	12	330	290	120	150	66	60	141	15	11	M5	117,0
SC20	360	200	45	80	68	90	220	250	12	360	348	120	150	66	60	157	15	11	M5	129,5
SC30	395	225	55	100	85	125	310	350	12	445	415	160	200	72	80	175	20	13	M6	140,0
SC40	480	275	75	130	110	145	365	420	12	530	510	260	300	34	80	230	30	14	M8	172,0
SC50	580	336	100	150	130	160	400	450	25	690	650	370	430	50	95	258	30	20	M8	202,0

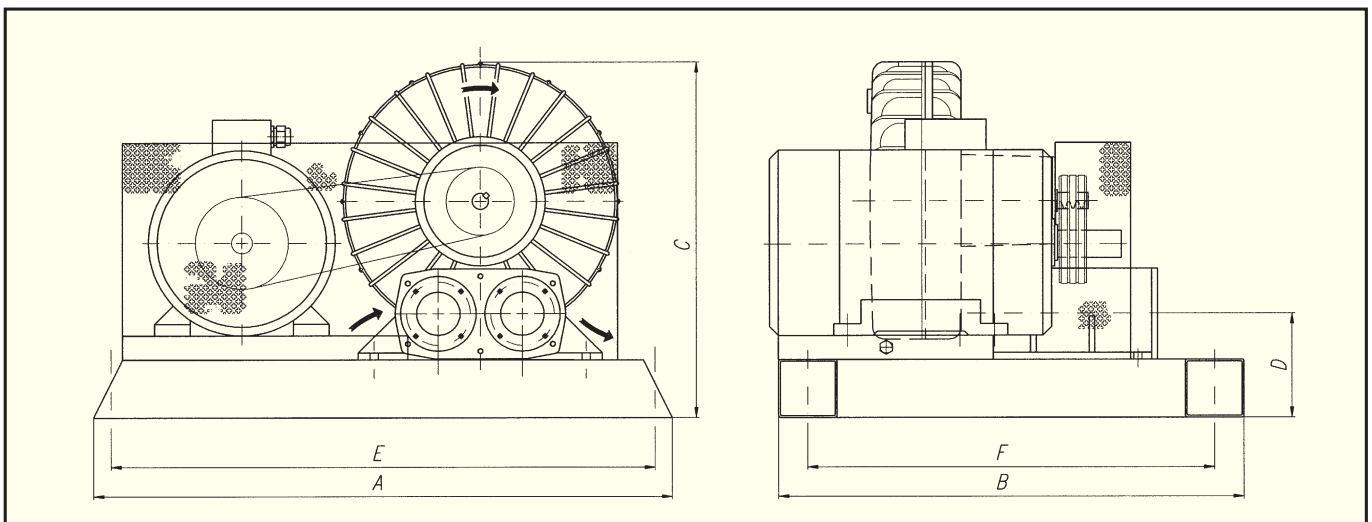
**Technical specification**

Type	Speed	Power consumption	Vacuum		Pressure		Weight*	Article number
			Flow (max)	Pressure (max)	Flow (max)	Pressure (max)		
	rpm	kW	m³/h	mbar	m³/h	mbar	kg	
SC15	4100	3.0	150	300	150	400	17	113 755 125
SC25	4100	4.2	250	400	250	500	21	113 755 185
SC35	4100	7.0	420	400	420	500	35	113 755 270
SC45	4100	14.5	850	400	850	500	64	113 755 330
SC55	4100	25.2	1500	400	1500	500	85	113 755 410

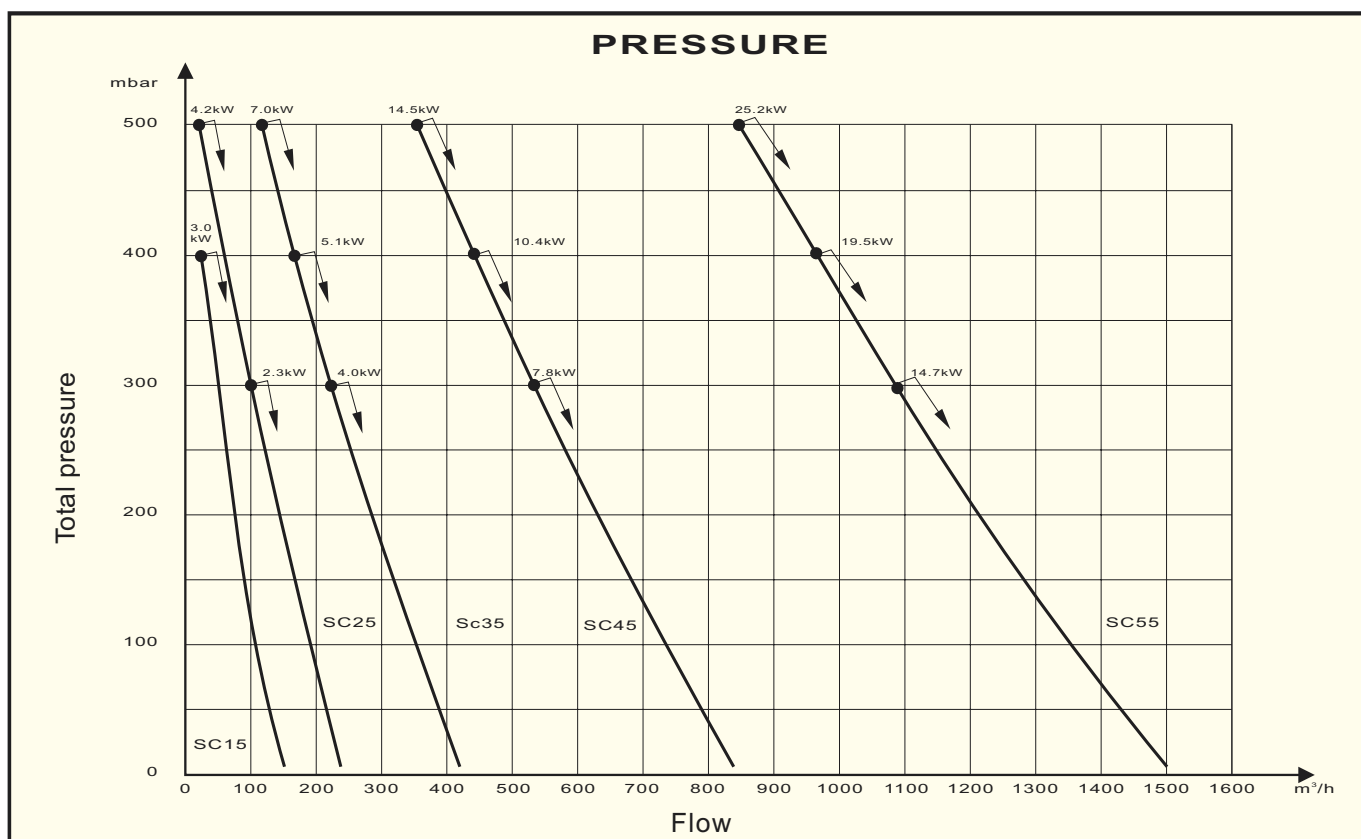
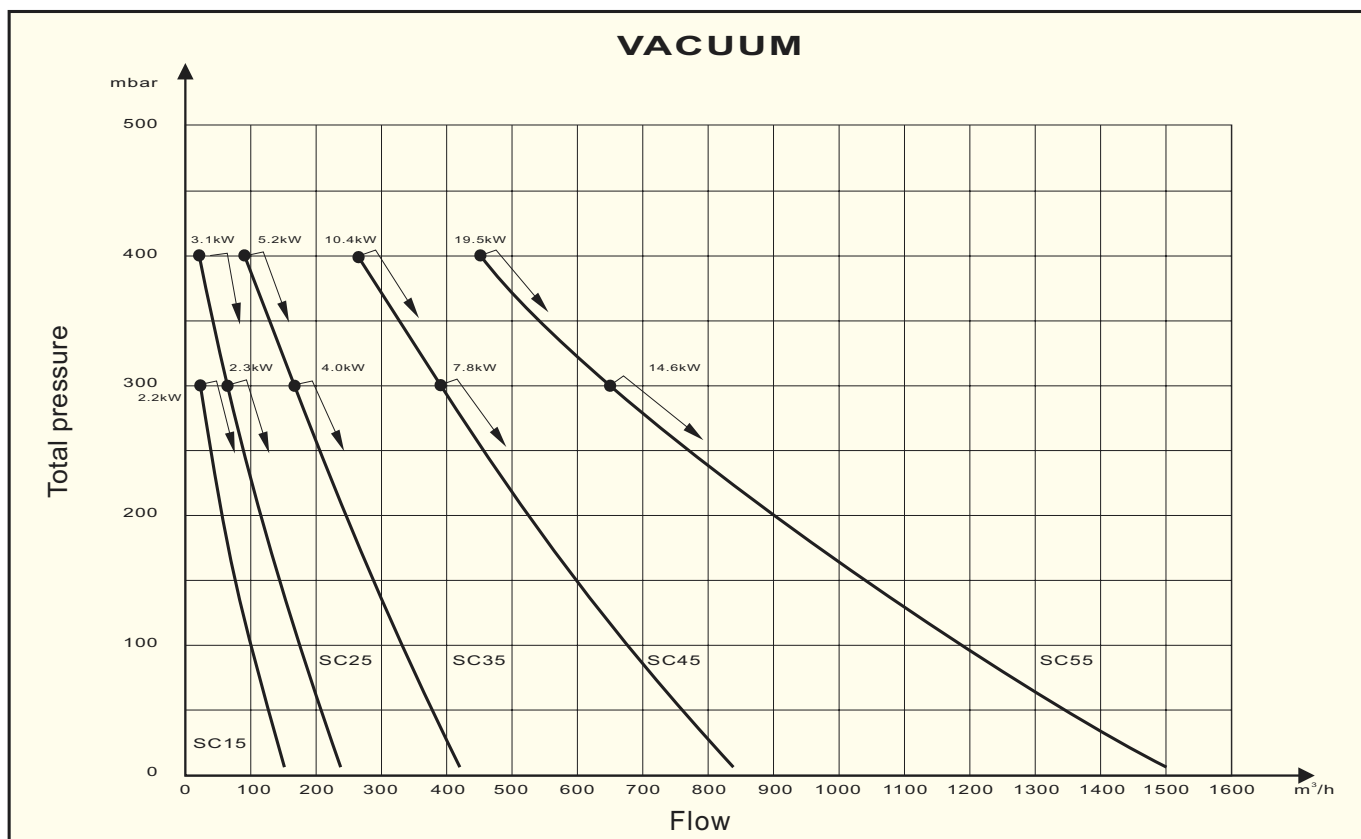
\* bare unit



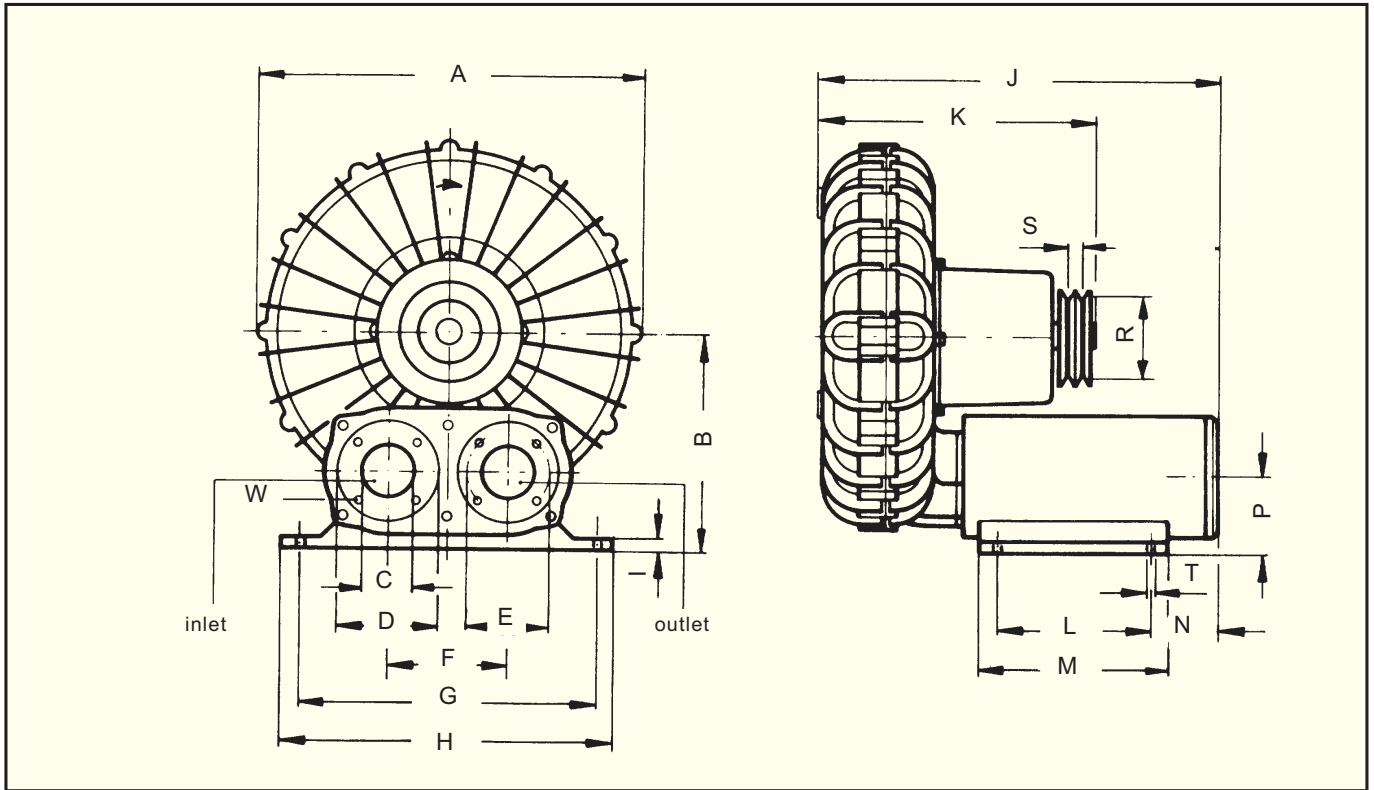
Type	A	B	C	D	E	F
SC15	700	450	330	70	660	410
SC25	700	450	390	70	660	410
SC35	760	530	483	140	700	490
SC45	995	800	612	180	935	740
SC55	1050	890	730	195	970	790







**Bare unit**



**Dimensions in mm**

Type	A	B	C	D	E	F	G	H	I	J	K	L	M	N	P	R	S	T	W
SC15	296	170	45	80	68	90	220	250	12	315	215	120	150	66	60	75	12	11	M5
SC25	360	200	45	80	68	90	220	250	12	345	260	120	150	66	60	100	12	11	M5
SC35	395	225	55	100	85	125	310	350	12	425	300	160	200	72	80	100	12	13	M6
SC45	480	275	75	130	110	145	365	420	12	480	380	260	300	34	80	100	12	14	M8
SC55	580	336	100	150	130	160	400	450	20	620	490	370	430	58	95	112	12	20	M8



### Construction

5 sizes, complete with lift handle, silencer, connectors, overload protection and 10m cable (single-phase with plug, three-phase with phase reversible Euro plug).

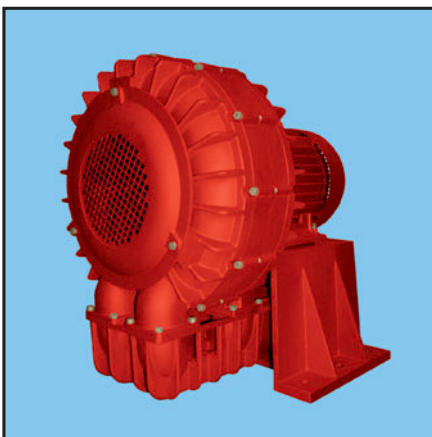
Special sizes can be supplied on request.

### Application:

This unit can also be used for suction of water or insulation or other portable applications.

### Technical specification

Type	Connection	Flow at 125 mbar pressure	Motor power	Voltage	Maximum current	Weight	Article number
	Ø mm	m <sup>3</sup> /h	kW	V	A	kg	
SCX10C-055S	51 (2,0")	55	0,55	230	4,0	24	113 750 161
SCX20A-110S	51 (2,0")	90	1,1	230	7,9	31	113 750 236
SCX20C-150S	51 (2,0")	120	1,5	230	8,7	33	113 750 241
SCX30A-220T	63 (2,5")	170	2,2	230/400	8,0/4,6	44	113 750 271
SCX30C-300T	63 (2,5")	210	3,0	230/400	11,3/6,5	48	113 750 286



### Construction

Direct driven two step side channel blowers designed for oil free conveying of non explosive and non aggressive medium. These blowers are suitable for either pressure or vacuum systems. All blower parts are of cast aluminium, highly resistant to corrosion. Silencer on the discharge- and intake side is standard. Blowers with customer adjusted capacity can be supplied on request.

### Motor

380-420/660-690V, 50Hz three-phase asynchronous motor. Insulation class F, enclosure IP55. Special voltage or frequency, improved enclosure IP65, 2-speed motors and explosion proof motors can be supplied on request.

Wiring diagram, see page 235.

The performance curves hold with a tolerance of  $\pm 10\%$  for pressure and  $\pm 10\%$  for air flow and at an inlet temperature of  $+15^{\circ}\text{C}$ , at an atmospheric pressure of 1013 mbar and at an ambient temperature of  $25^{\circ}\text{C}$ . We reserve the right for construction- and capacity changes without prior notice. We take no responsibility what so ever for any printing errors in the catalogue.

Unbroken curves hold at continuous running and with an ambient temperature of max.  $+40^{\circ}\text{C}$ .



60°C

### Data

Type	MOTOR			Maximum duty m <sup>3</sup> /h	Sound pressure level dB (A)	Weight kg	Article number
	Motor power kW	Voltage V	Maximum current A				
Parallel running							
PSC30C550T	5,50	400 Δ	10,50 Δ	600	82	110	213 700 300
PSC30C750T	7,50	400 Δ	14,00 Δ	600	84	110	213 700 310
PSC40A750T	7,50	400 Δ	14,00 Δ	1270	84	126	113 700 390
PSC40A1100T	11,00	400 Δ	21,20 Δ	1270	86	128	113 700 400
PSC40A1500T	15,00	400 Δ	27,20 Δ	1270	88	155	113 700 410
Serial running							
DSC30C550T	5,50	400 Δ	10,50 Δ	300	82	110	213 800 300
DSC30C750T	7,50	400 Δ	14,00 Δ	300	84	110	213 800 310
DSC40A750T	7,50	400 Δ	14,00 Δ	700	84	126	113 800 390
DSC40A1100T	11,00	400 Δ	21,20 Δ	700	86	128	113 800 400
DSC40A1500T	15,00	400 Δ	27,20 Δ	700	88	155	113 800 410

### Accessories



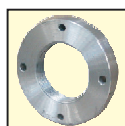
Silencer  
with connector



Connector



Welded  
flange

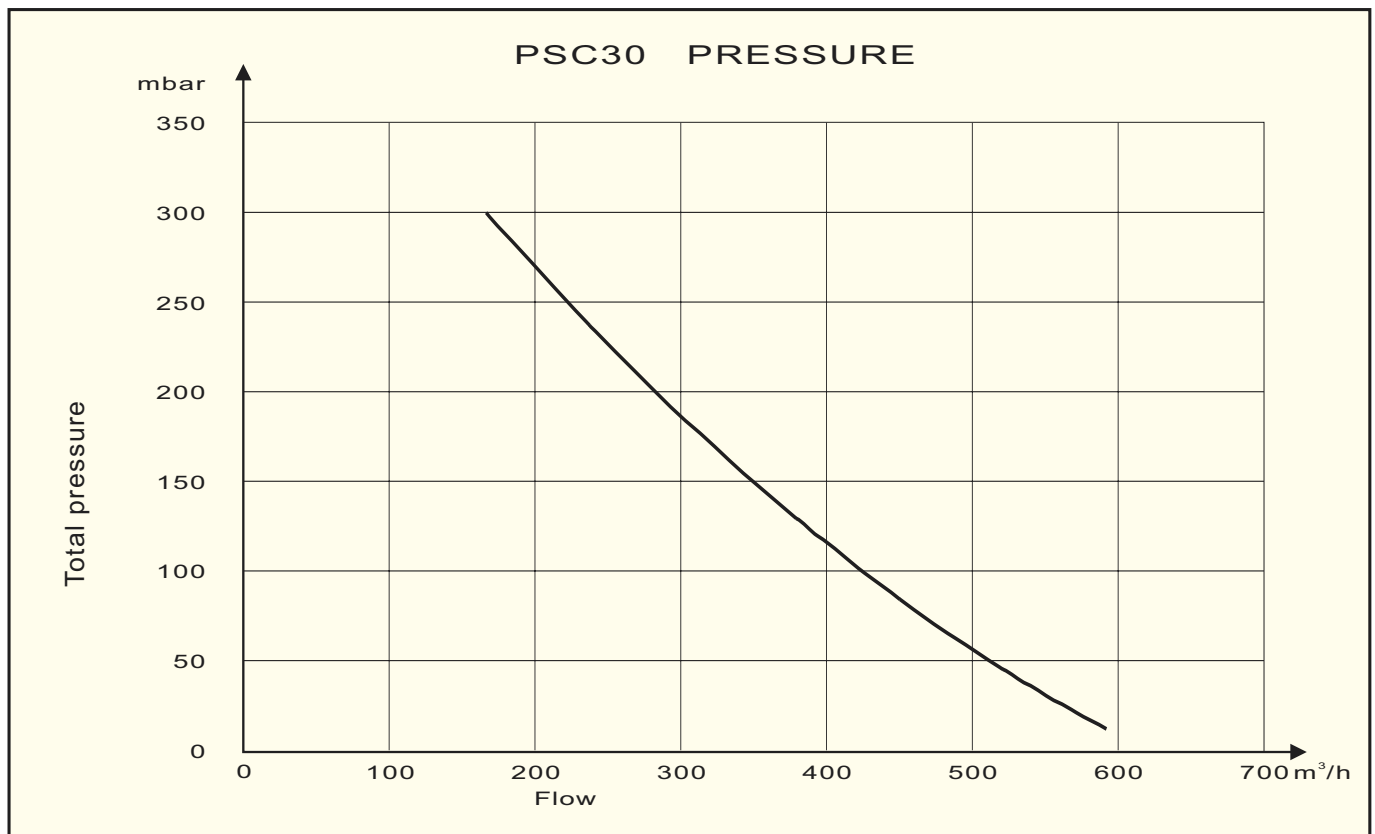
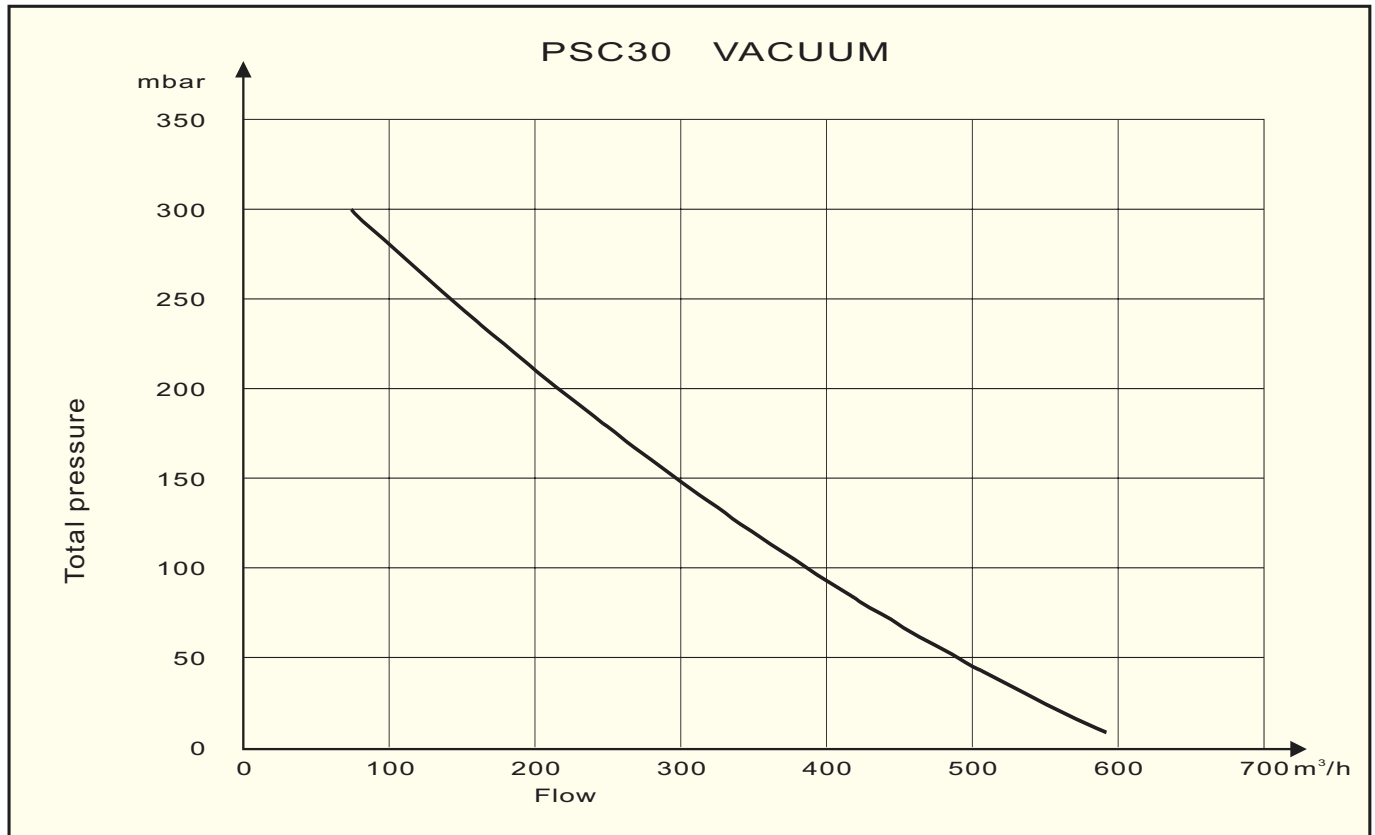


Threaded  
flange

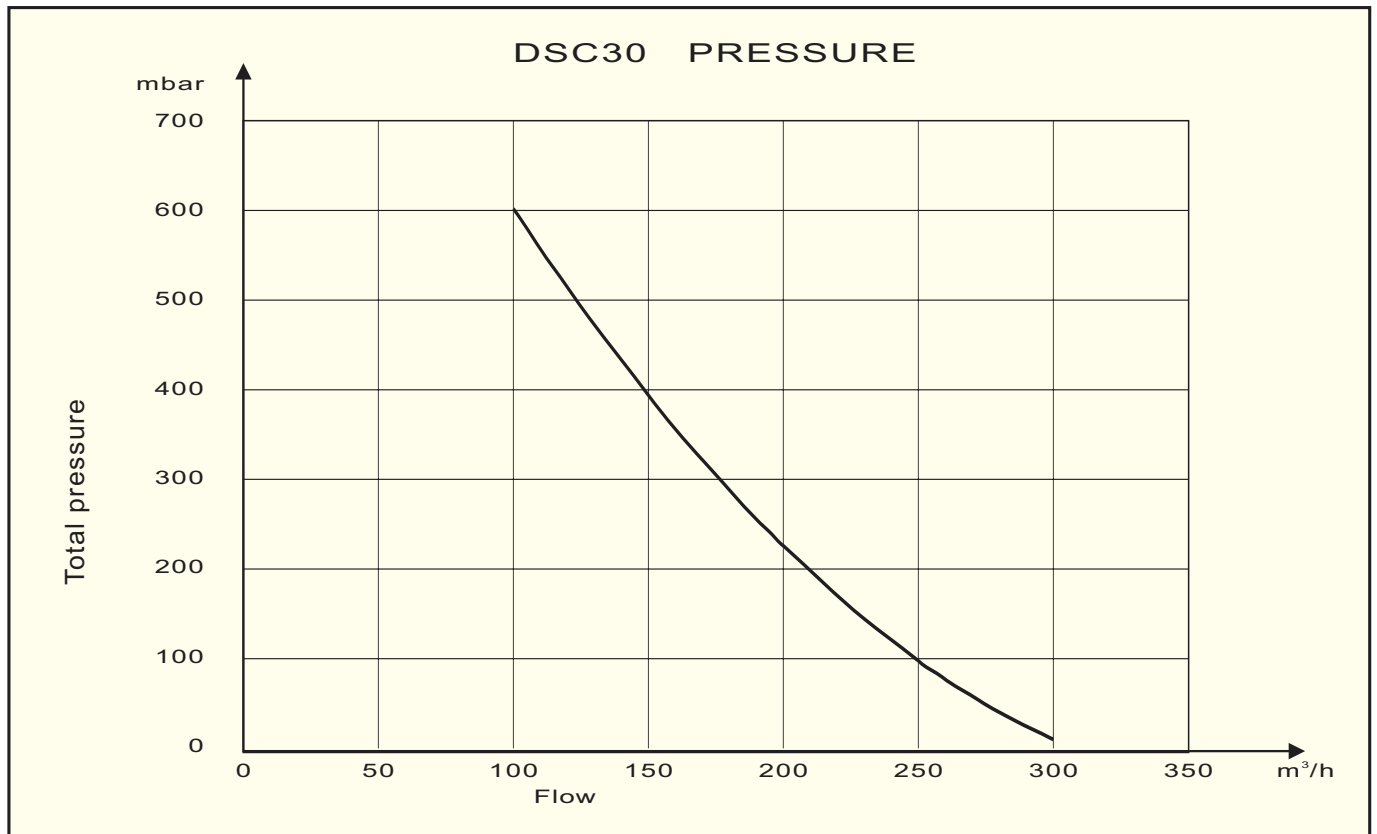
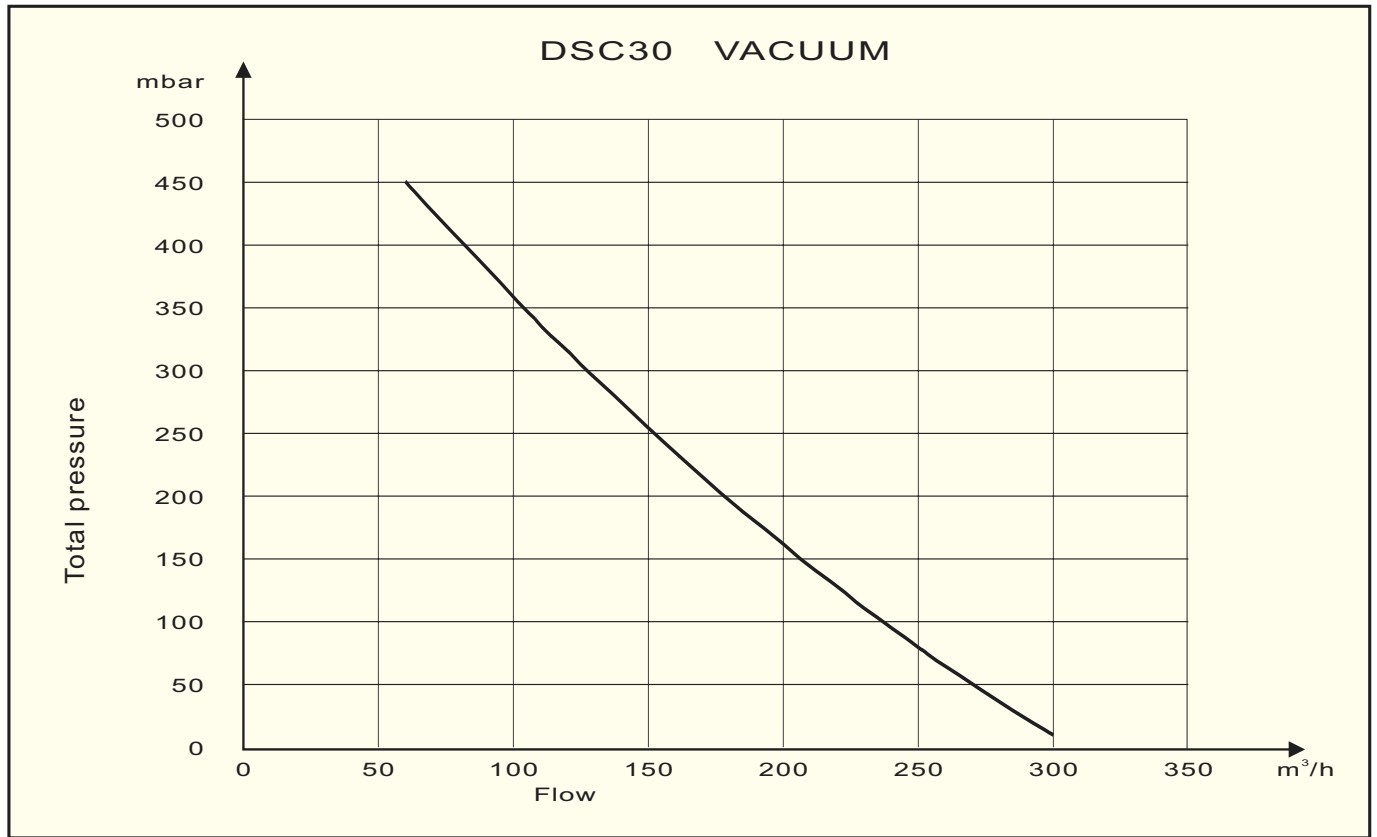


Filter

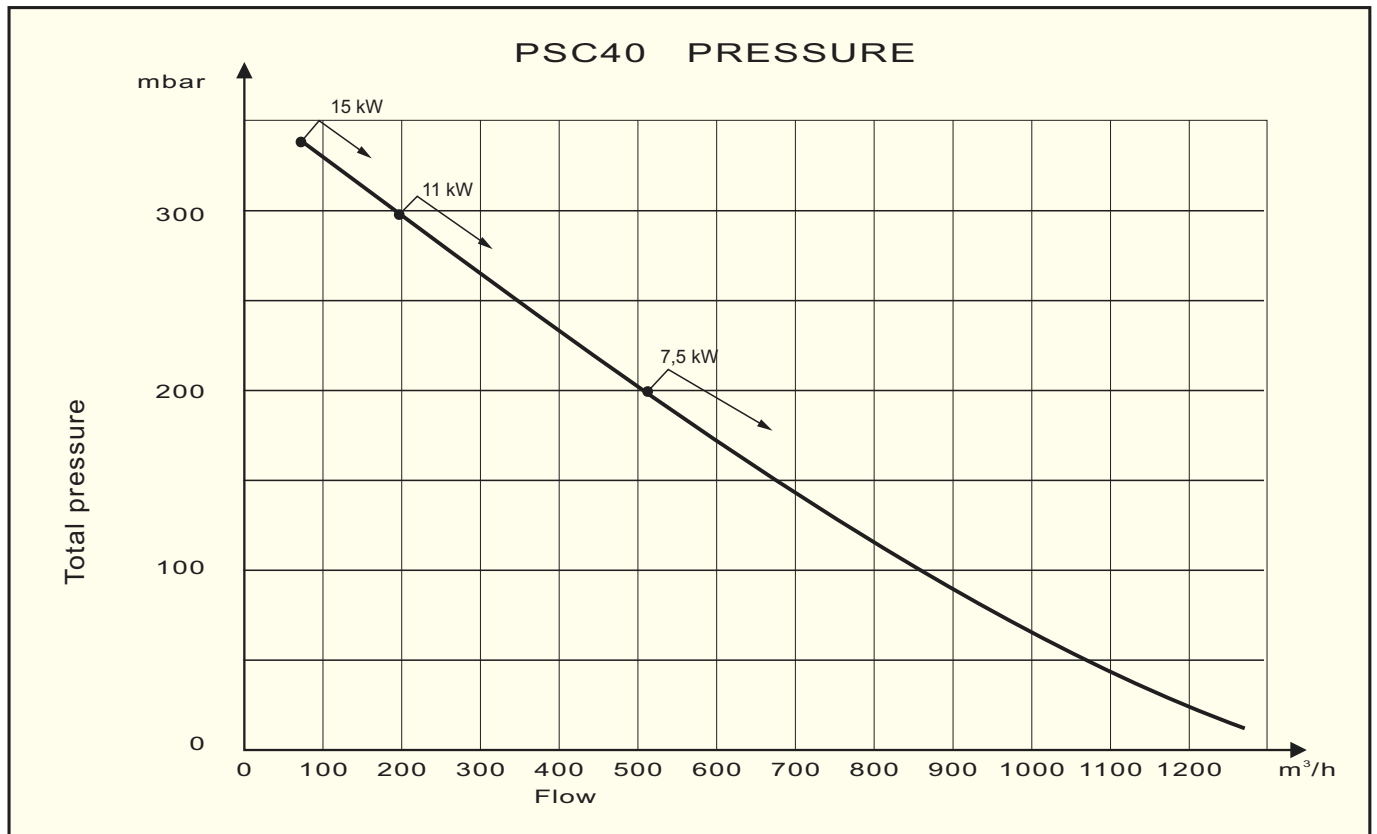
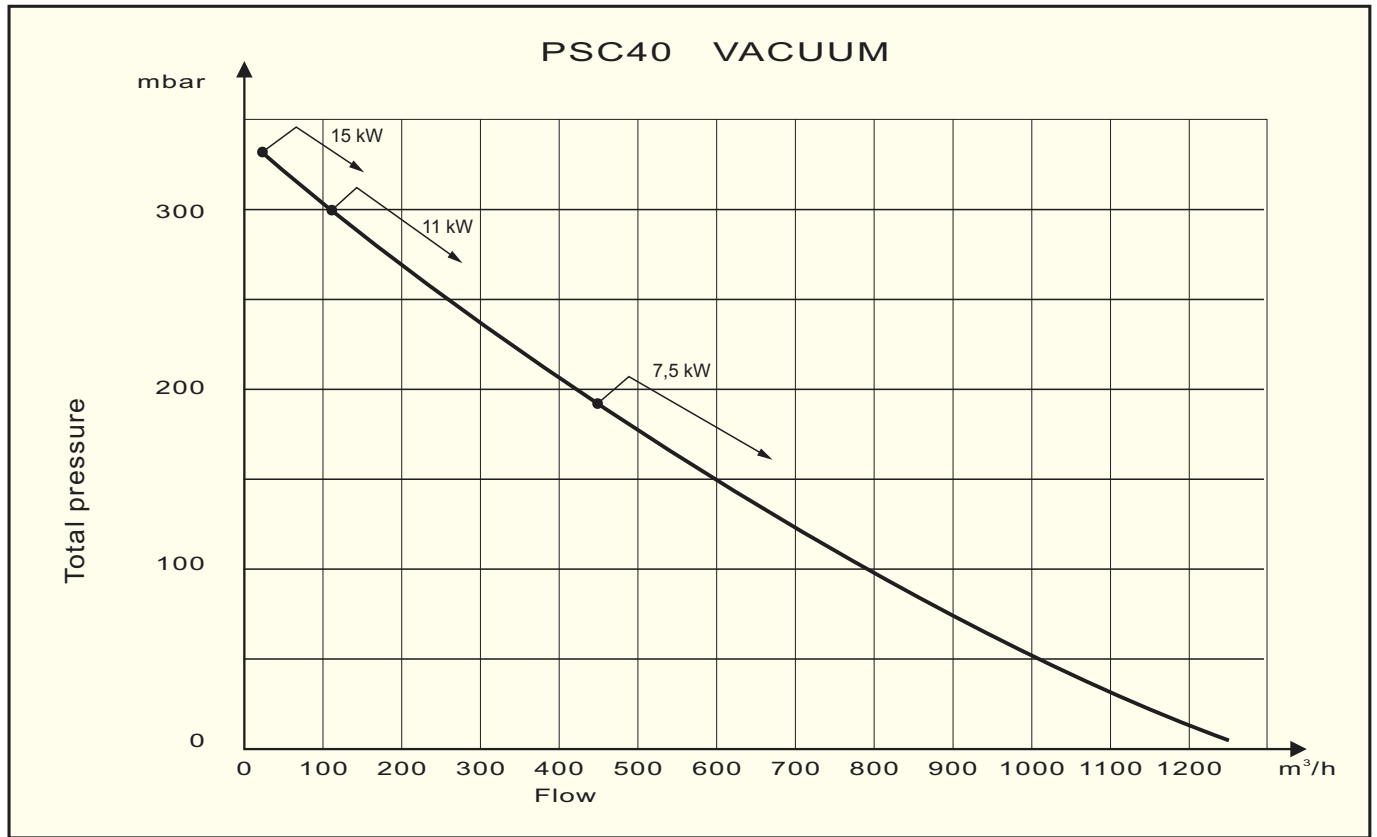
## Performance curves PSC



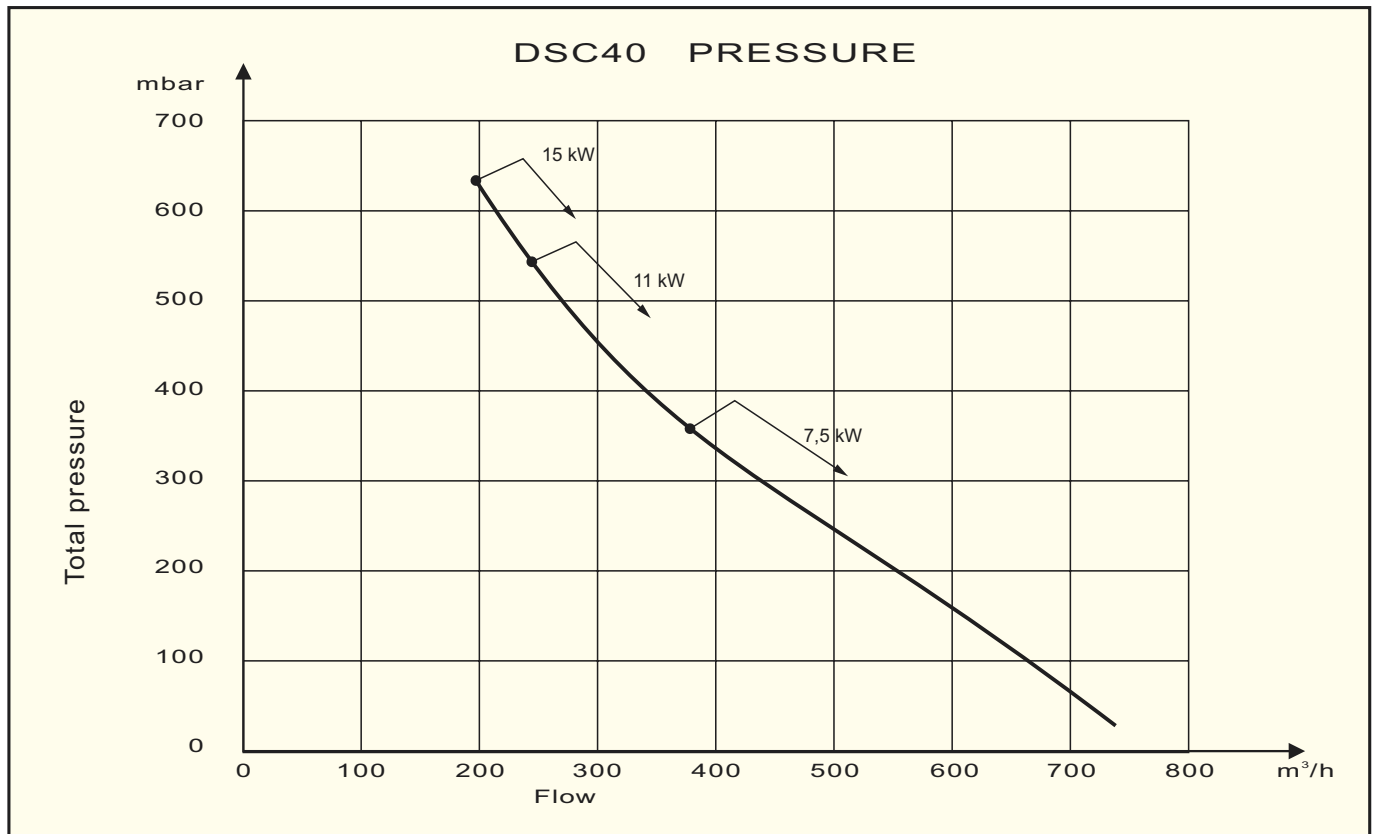
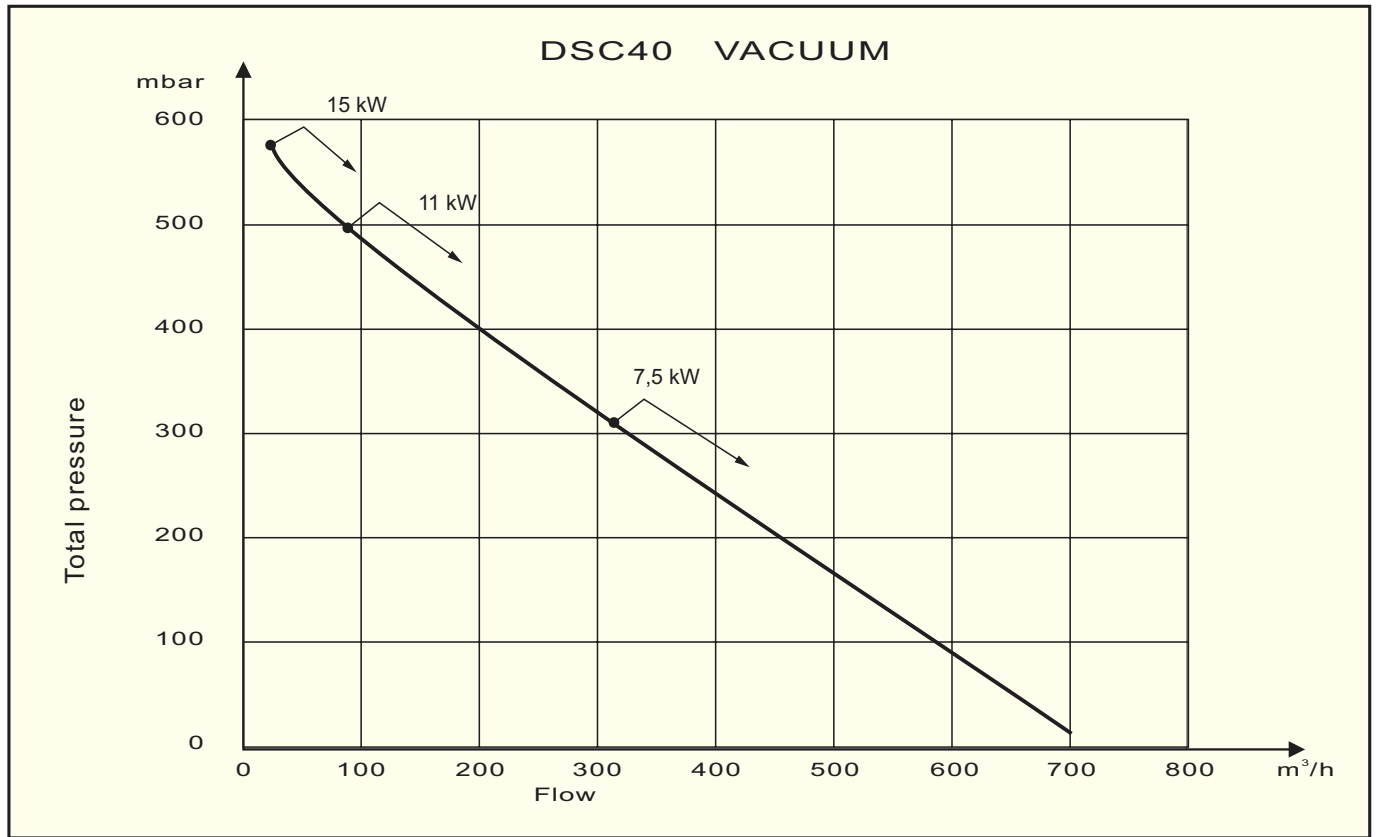
Performance curves DSC



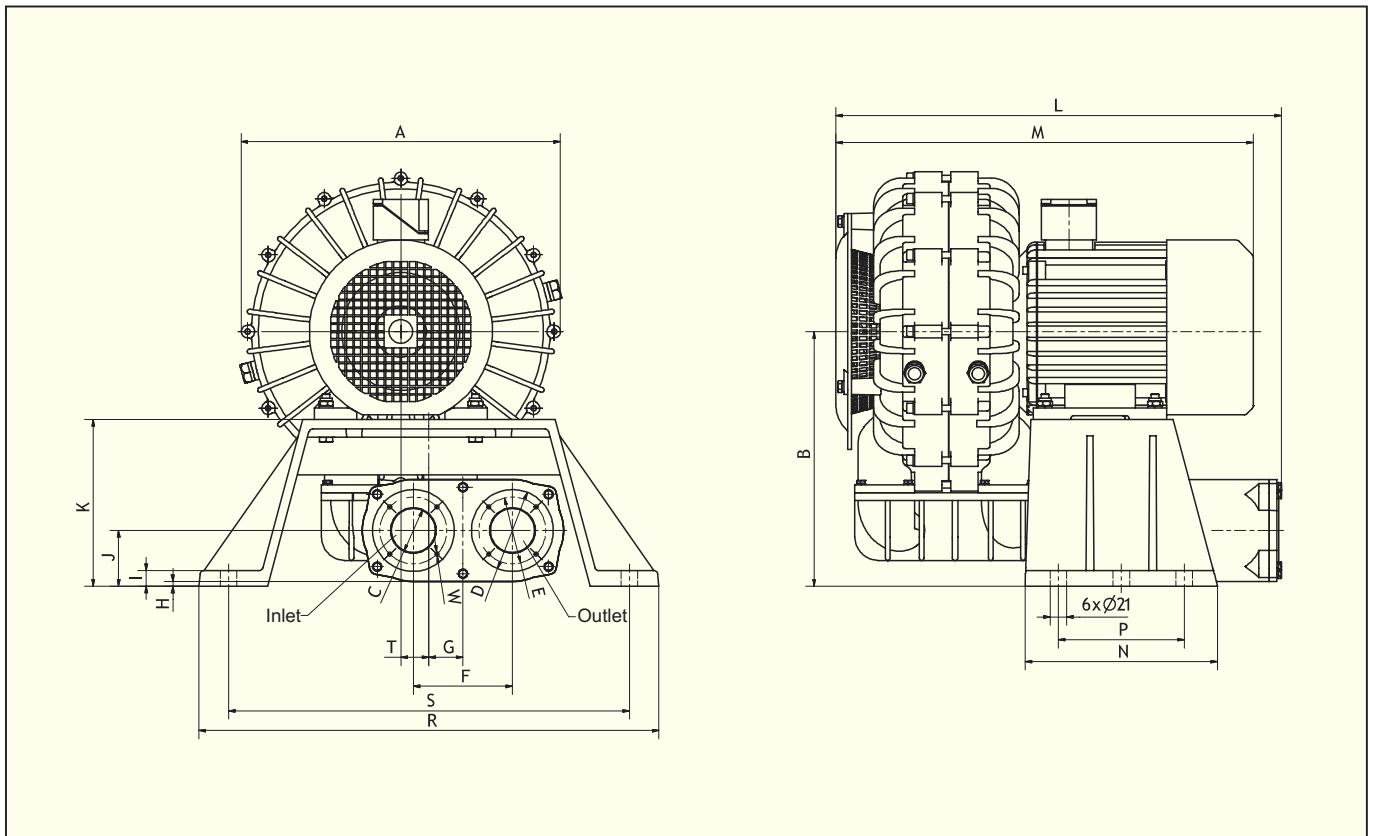
Performance curves PSC



Performance curves DSC



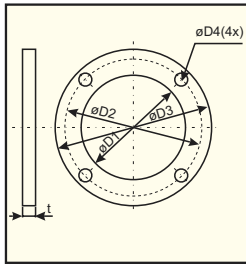




**Dimensions in mm**

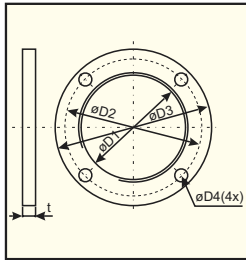
Type	A	B	C	D	E	F	G	H	I	J	K	L	M	N	P	R	S	T	W
DSC-30	Ø406	324	Ø58	Ø104	Ø85	126	43,5	6,2	20	71	212	567	531	245	160	585	510	79	M6
PSC-30	Ø406	324	Ø58	Ø104	Ø85	126	0	6,2	20	71	212	567	531	245	160	585	510	0	M6
DSC-40	Ø502	407	Ø75	Ø130	Ø110	145	32,5	1,5	20	76,5	275	653	584	340	260	600	520	74,5	M8
PSC-40	Ø502	407	Ø75	Ø130	Ø110	145	32,5	1,5	20	76,5	275	653	584	340	260	600	520	0	M8

**Welding flange**



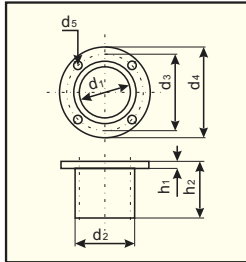
Type	D1	D2	D3	D4	t	Article number
SC10	45	68	80	5.5	10	113 762 185
SC20	45	68	80	5.5	10	113 762 185
SC30	58	85	104	6.5	10	113 762 270
SC40/DSC40	75	110	130	9.0	10	113 762 330
SC50	100	130	150	9.0	10	113 762 411

**Threaded flange**



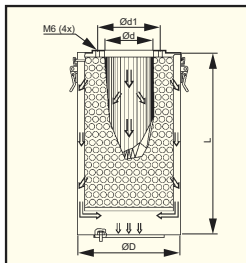
Type	D1	D2	D3	D4	t	Article number
SC10	R1½" x 15	68	80	5.5	15	113 763 185
SC20	R1½" x 15	68	80	5.5	15	113 763 185
SC30	R2" x 15	85	104	6.5	15	113 763 270
SC40/DSC40	R2½" x 20	110	130	9.0	20	113 763 330
SC50	R3½" x 20	130	150	9.0	20	113 763 411

**Connector**



Type	d1	d2	d3	d4	d5	h1	h2	Article number
SC10	46	51	68	80	6.0	6	60	113 761 185
SC20	46	51	68	80	6.0	6	60	113 761 185
SC30	57	63	85	100	7.0	8	60	113 761 270
SC40/DSC40	70	76	110	130	9.0	10	60	113 761 330
SC50	96	102	130	145	9.0	12	60	113 761 411

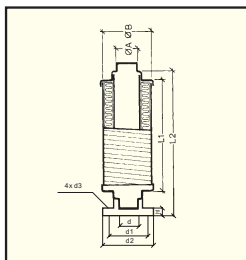
**Filter**



Blower type	Filter type	Article number	Cartridge type	Article number	ØD	Ød	L	Ød1
SC10, SC20	G20	113 770 125	PG 20	113 771 125	156	51	374	68
	F20	113 770 126	PF 20	113 771 126	156	51	374	68
SC30	G30	113 770 270	PG 30	113 771 125	156	63	374	68
	F30	113 770 271	PF 30	113 771 126	156	63	374	68
SC40	G40	113 770 330	PG 40	113 771 330	219	76	394	110
	F40	113 770 331	PF 40	113 771 331	219	76	394	110
SC50	G50	113 770 411	PG 50	113 771 330	219	101	394	130
	F50	113 770 412	PF 50	113 771 331	219	101	394	130

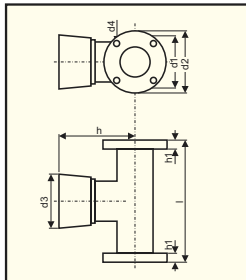
G - standard filter, F - fine filter DOP 99,97%

**Silencer with connector**

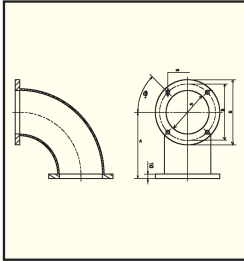


Type	A	B	d	d1	d2	d3	h1	l1	l2	Article number
SC10	50	105	45	68	80	6.0	6	455	610	113 767 185
SC20	50	105	45	68	80	6.0	6	455	610	113 767 185
SC30	70	125	60	85	100	7.0	8	455	620	113 767 270
SC40/DSC40	80	125	75	110	130	9.0	10	455	630	113 767 330
SC50	100	150	95	130	145	9.0	12	455	640	113 767 411

**Pressure and vacuum relief valve**



Type	l	d	d1	d2	d3	d4	h	h1	Vacuum Article number	Pressure Article number
SC10	180	45	68	80	125	6	150	8	113 768 401	113 768 451
SC20	180	45	68	80	125	6	150	8	113 768 403	113 768 453
SC30	180	55	85	100	125	7	150	8	113 768 406	113 768 456
SC40/DSC40	206	75	110	130	180	9	210	8	113 768 411	113 768 461
SC50	206	100	130	145	180	9	210	8	113 768 415	113 768 465

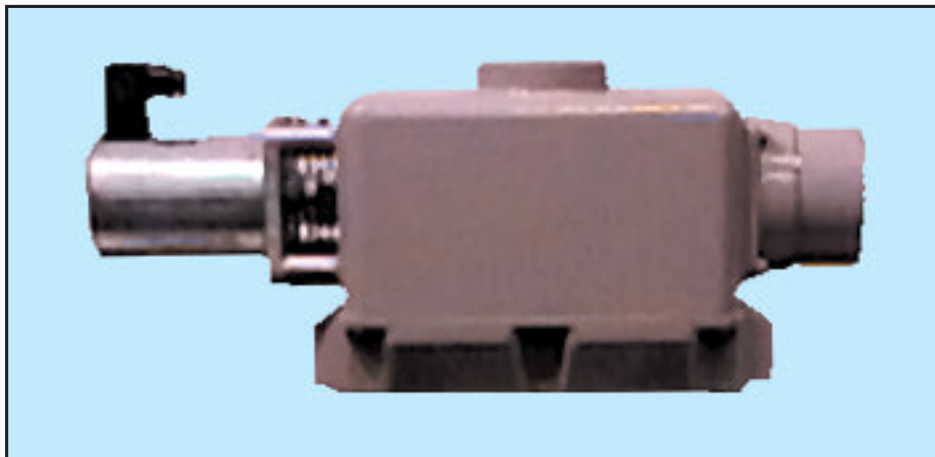
**Bend**

Type	A	d1	d2	d3	d4	Article number
SC10	67	45	68	80	6	113 760 283
SC20	67	45	68	80	6	113 760 285
SC30	86	55	85	100	7	113 760 286
SC40	105	75	110	130	9	113 760 287
SC50	153	100	130	145	9	113 760 288

**Automatic reversing valve**

Motor driven automatic reversing valve in cast aluminium mounted directly on the side channel blower. The reversing valve allows reversing from pressure to vacuum in the shortest possible time without having to change the direction of rotation of the blower.

Automatic reversing valve can be supplied on request.





**WNF**

**214**

**In-Line Fans**

**Axial-flow Fans Wall Versions**

**Axial-flow Fans Cased Versions**

**Roof Fans**

**Fans "ATEX"**

**Centrifugal Fans VISP/VASP**

**Centrifugal Fans**

**Side Channel Blowers**

**Chip Extractors**

**Domestic Fans**

**Accessories**

**Electric Diagrams**

**General Information**

**Index**



WNF-90, WNF-130



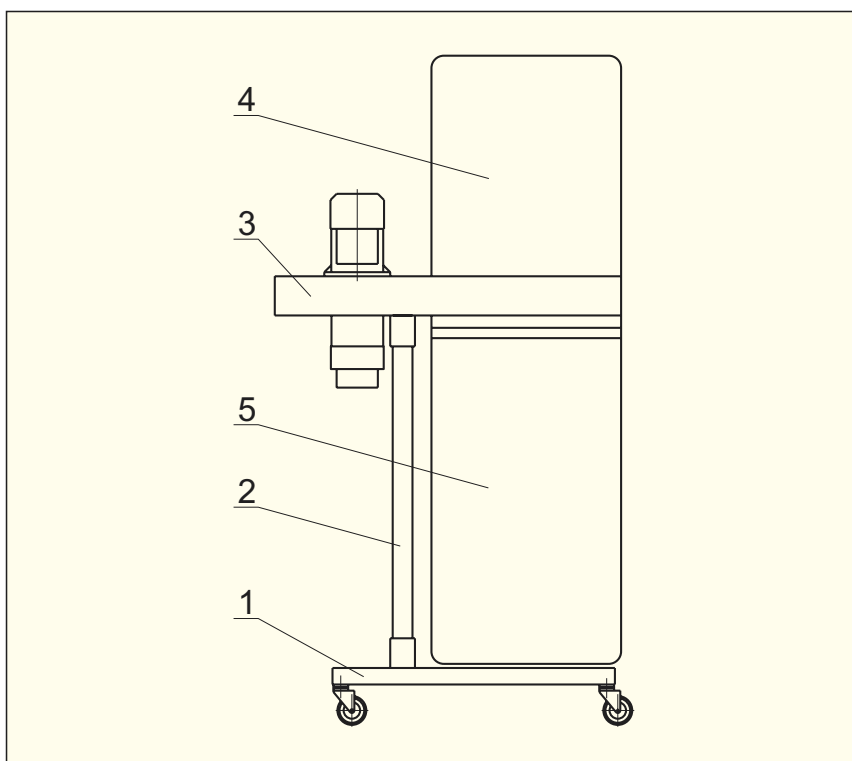
WNF-240

## Design

Chip extractor WNF is designed for dust and chip extraction from converting machines. The WNF then keeps the chip/dust in a collector. Connection of flexible pipes is possible directly to for example a woodworking machine. Dust Extractor WNF is built up by a base plate (1) equipped with four wheels, support (2), mounted fan (3), filter bag (4) and collecting bag (5). WNF is equipped with start/stop switch, cable box and phase inverter (three-phase version only). Painted in standard RAL5010 - blue, extractors in other colours may be delivered on request.

## Motor

230V, 50Hz single or 230/400V, 50Hz three phase motor, enclosure IP55, insulation class F.



WNF-330

**Data**

		WNF 90/130 S	WNF 90/130 T	WNF 240 T	WNF 240 S	WNF 330 T
Flow	[m <sup>3</sup> /h]	900/1200	900/1200	2400	2400	3350
Total pressure	[Pa]	1800	1800	2200	2200	2400
Sound pressure level	dB[A]	73	73	76	76	80
Speed	[rpm]	2800	2800	2820	2820	2860
Motor power	[kW]	0,37/0,55	0,37/0,66	1,1	1,1	2,2
Maximum current	[A]	3,0/3,8	0,90/1,32	2,5	7,9	4,6
Voltage	[V]	400	230	400	230	400
Weight	[kg]	45	45	58	58	87
Filter area	[m <sup>2</sup> ]	1,3	1,3	2,0	2,0	2,0
Holding capacity	[l]	170	170	170	170	2x170
Connection	[mm]	Ø100/125		Ø160		Ø200

Lined area for notes, featuring horizontal blue lines and a large, faint "VENTUR" watermark in the center.



<b>SILENT</b>	<b>218</b>
<b>DECOR</b>	<b>220</b>
<b>EDM</b>	<b>222</b>
<b>EB-100, EBB-175,</b>	
<b>EBB-250</b>	<b>224</b>
<b>EBB-170 N</b>	
<b>EBB-250 N</b>	<b>225</b>
<b>TDM</b>	<b>226</b>
<b>HTB</b>	<b>227</b>

**In-Line Fans**

**Axial-flow Fans Wall Versions**

**Axial-flow Fans Cased Versions**

**Roof Fans**

**Fans "ATEX"**

**Centrifugal Fans VISP/VASP**

**Centrifugal Fans**

**Side Channel Blowers**

**Chip Extractors**

**Domestic Fans**

**Accessories**

**Electric Diagrams**

**General Information**

**Index**



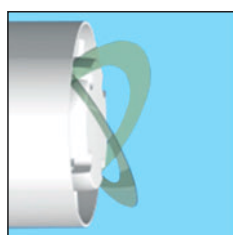


In-line axial extraction fans for ventilation in bathrooms, wash-rooms, garages, storages, etc. The SILENT series fans are designed to extract the maximum airflow with the lowest possible level of noise and vibrations. The SILENT is suitable for wall or ceiling mounting and can either discharge directly to the outside or via an individual ducting system. The extractor is designed for single phase supply, with 230V and 50Hz. The units (except SILENT 100 12V) are manufactured with double electrical insulation (Class II) and have enclosure IP45.



**The silent block**

Silent-blocks using highly resistant components which can absorb the vibrations generated by the motor.



**Anti-return gate**

All versions of the SILENT extractor incorporate motors with ball bearings to ensure a long life with maximum functionality as well as anti-return gate to prevent air coming in from the outside when the fan is idle.

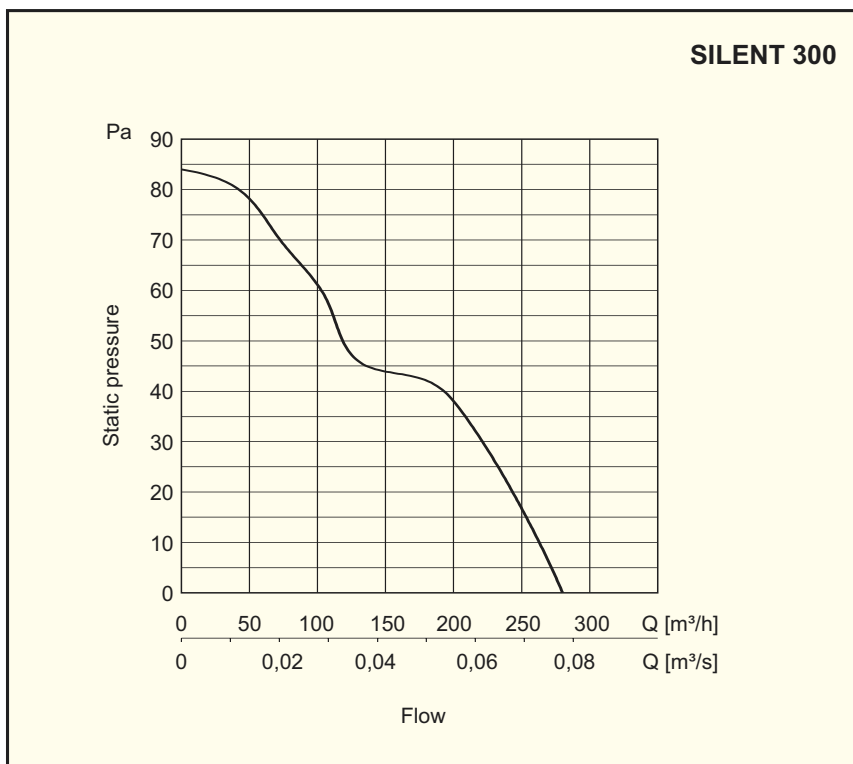
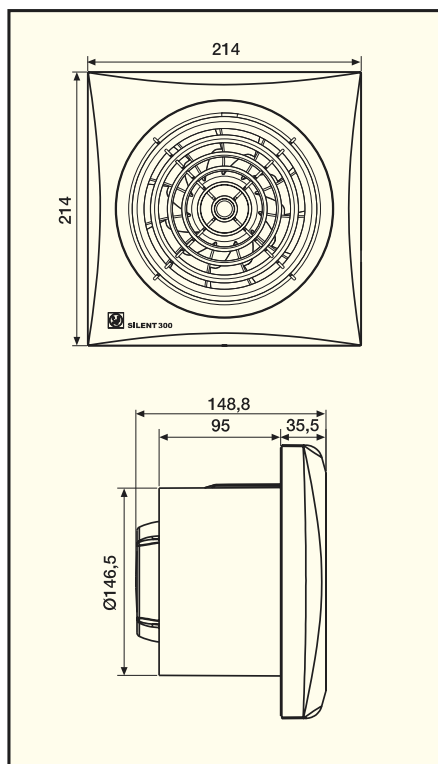
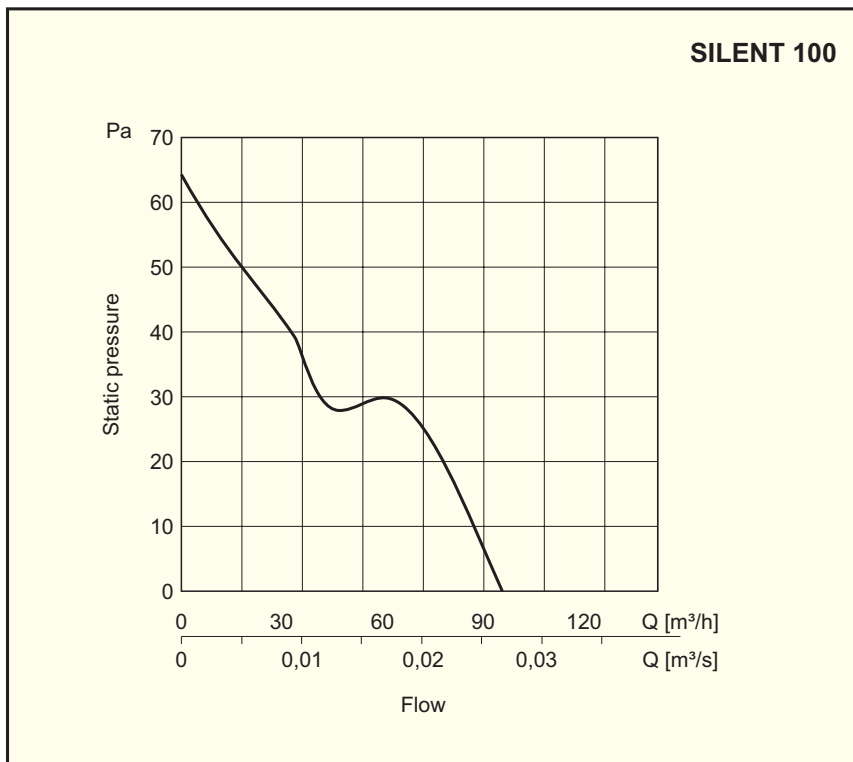
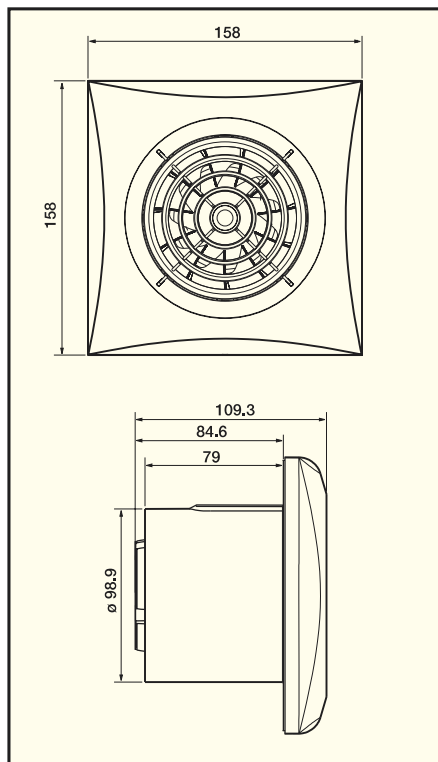
**Data**

Type	Speed rpm	Motor power W	Voltage V	Sound pressure level dB(A)	Flow m³/h	Enclosure IP	Weight kg
SILENT 100	2400	8	230	26,5	95	II / IP45	0,57
SILENT 100 12V	2400	8	12	26,5	95	/ IP57	0,57
SILENT 300	1700	17	230	30	280	II / IP45	1,25
SILENT 300 PLUS	2000	29	230	36	320	II / IP45	1,65

**Features**

	100					300				
	CZ	CRZ	CHZ	CDZ	CZ(12V)	CZ	CRZ	CHZ	CZ PLUS	CRZ PLUS
Pilot lamp	•	•	•	•	•	•	•	•	•	•
Anti-return gate	•	•	•	•	•	•	•	•	•	•
Adjustable timer		•	•	•			•	•		•
Adjustable humidistat			•					•		
Movement detector				•						
Ball bearings	•	•	•	•	•	•	•	•	•	•

Dimensions in mm





In-line fans designed for ventilation in bathrooms, wash-rooms, garages, stores, etc. Especially designed for installation in ducts 1-2 m max. connected to the fan.

- Low sound level
- Suite ventilation ducts Ø100mm (DECOR-100), Ø125mm (DECOR-200) and Ø150mm (DECOR-300)
- Can be installed both vertically and horizontally.

**Fan with timer**

When installed in bathrooms or shower-rooms it is best done to let the fan keep on running after it has been switched off, to ventilate the air from damp, bad smell etc. The timer is adjustable from 2-20 min.

**Fan with automatic shutter**

When installed in outer wall it is best done with an automatic shutter to prevent incoming cold air when the fan is switched off.

**Fan with adjustable hygrostat**

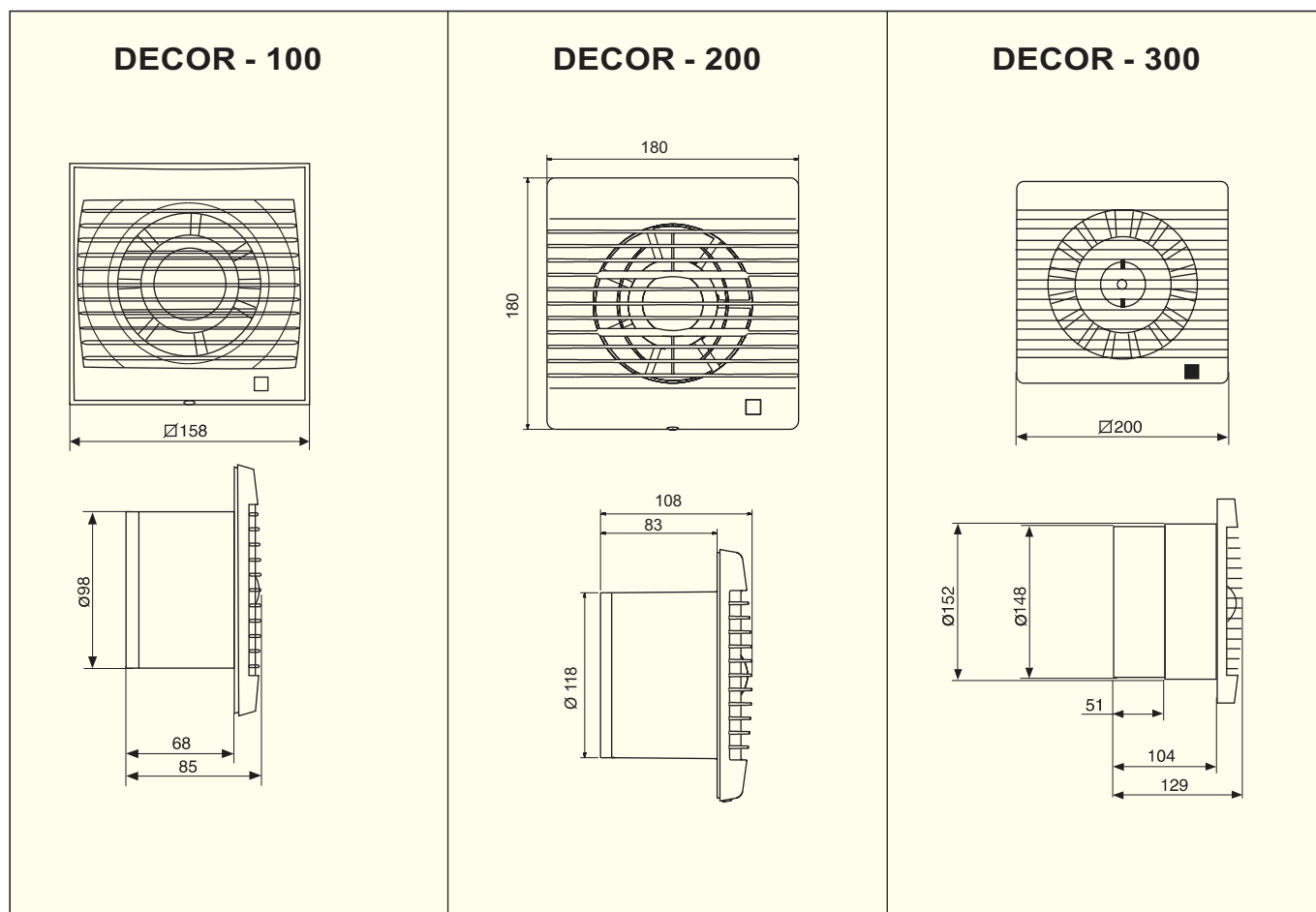
For installation where automatic start of the fan is required when the humidity level in the room is above the setting value.

Wiring diagram, see page 234.

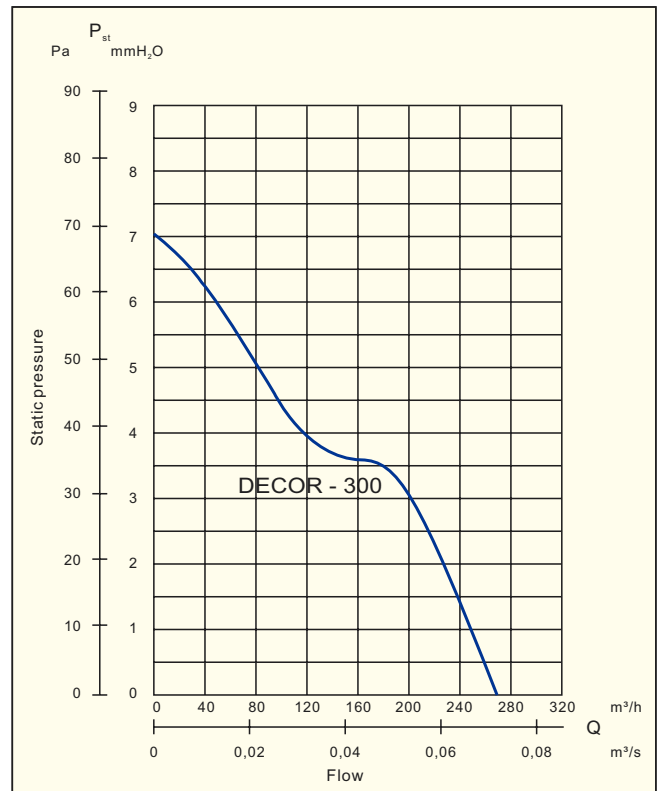
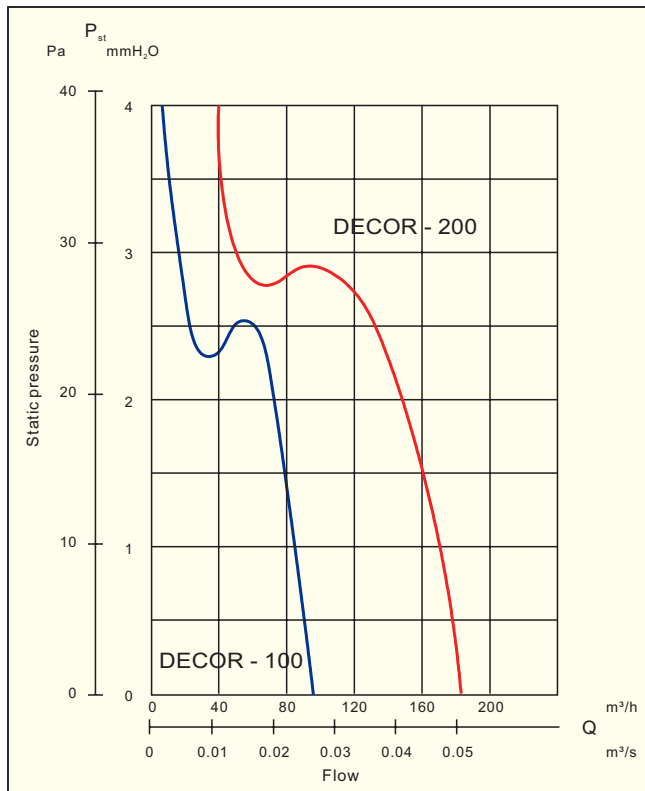
**Data**

Type	Speed rpm	Motor power W	Voltage V	Maximum duty m³/h	Maximum pressure Pa	Sound pressure level dB (A)	Weight kg
DECOR 100	2500	13	230	95	40	40	0,44
DECOR 200	2500	20	230	185	40	46	0,80
DECOR 300	2200	35	230	280	70	47	1,44

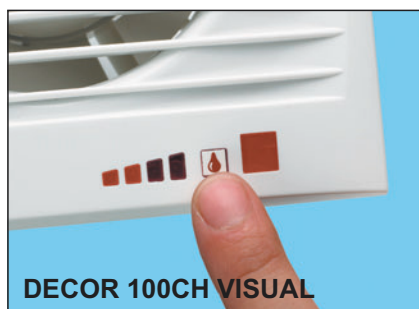
**Dimensions in mm**



Performance curves



Feature	DECOR-100				DECOR-200			DECOR-300					
	CZ	CRZ	CHZ	CDZ	CZ	CRZ	CHZ	SZ	RZ	HZ	CZ	CRZ	CHZ
Pilot lamp	•	•	•	•	•	•	•	•	•	•	•	•	•
Adjustable timer		•	•	•		•	•		•	•		•	•
Automatic shutter	•	•	•	•	•	•	•				•	•	•
Adjustable humidistat			•				•			•			•
Movement detector				•									



DECOR 100CZH VISUAL incorporates a timer that can be regulated between 1 and 30 minutes and a hygostat that can be regulated to 60, 70, 80 or 90% Relative Humidity, selected using a key situated on the exterior of the apparatus/in the exterior. 4 luminous indicators show the desired level of humidity.

The DECOR 100CRZ “Night” is especially suitable for those situations where night-time operation could be a nuisance: hospitals, residences, hotels and for the people who are light-sleepers.

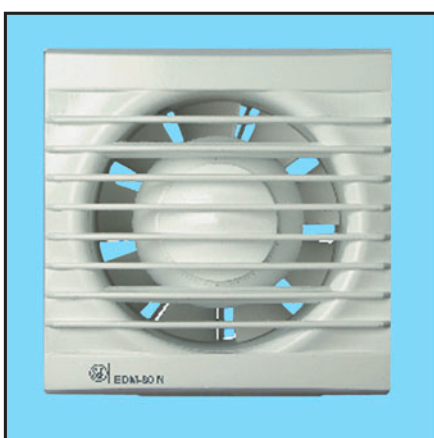
When the key  is pressed, the apparatus functions in the following way:

- The apparatus will not start for the first 50 seconds, after connection.
- If the extractor is connected for more than 50 seconds, the extractor will start, stopping when the light is switched off.





EDM 100, 200



EDM 80 N

In-line fans designed for ventilation in bathrooms, wash-houses, garages, stores, etc. Especially designed for installation in ducts 1-2 m max. connected to the fan.

- Aesthetically attractive
- Low sound level
- Suite ventilation ducts Ø90mm (EDM-80), Ø100mm (EDM-100), Ø120mm (EDM-200).
- Can be installed both vertically and horizontally.

#### Fan with timer

When installed in bathrooms or shower-rooms it is best done to let the fan keep on running after it has been switched off, to ventilate the air from damp, bad smell, etc.

T - none adjustable timer (approx. 8min)

R - adjustable timer (approx 2-20min)

#### Fan with automatic shutter

When installed in outer wall it is best done with an automatic shutter to prevent incoming cold air when the fan is switched off.

#### Fan with adjustable hygrostat

For installation where automatic start of the fan is required when the humidity level in the room is above the setting value.

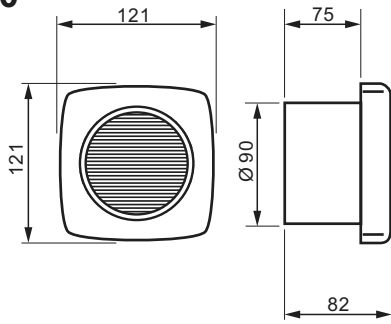
Wiring diagram, see page 234.

## Data

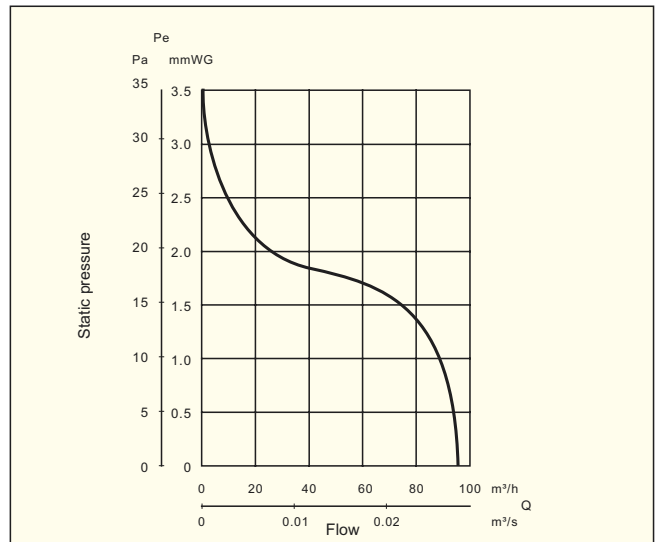
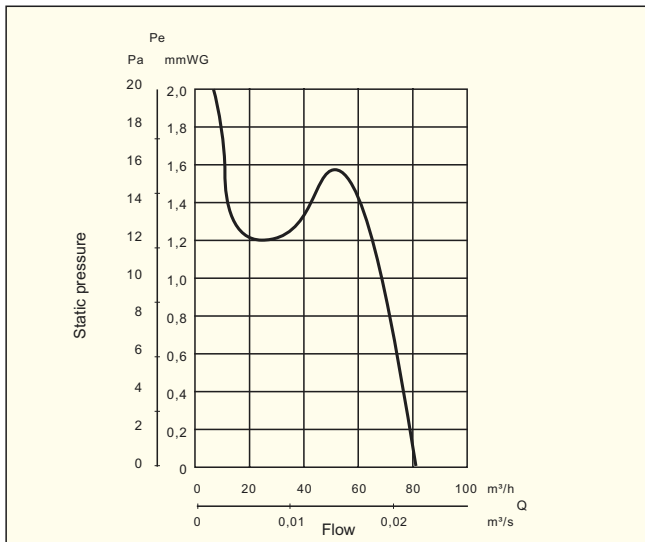
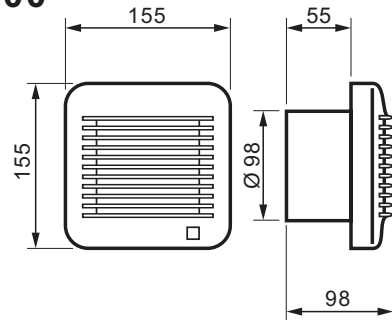
Type	Speed rpm	Motor power W	Voltage V	Maximum current A	Maximum duty m <sup>3</sup> /h	Pressure max Pa	Sound pressure level dB (A)	Weight kg
EDM-80	2350	9	230	0,07	80	24	33	0,4
EDM-100	2450	13	230	0,08	95	33	40	0,5
EDM-200	2500	25	230	0,15	180	50	46	0,9

Features	EDM-80		EDM-100									EDM-200					
	NZ	NTZ	SZ	TZ	HZ	CZ	CTZ	MZ	ECZ	CHZ	VMZ	SZ	TZ	HZ	CZ	CTZ	CHZ
Pilot lamp	•	•		•	•	•	•	•	•	•	•		•	•	•	•	•
Timer		•		•			•						•			•	
Adjustable timer									•								
Automatic shutter						•	•	•	•	•	•				•	•	•
Photoelectric cell									•								
Adjustable hygrostat					•					•				•			•
Pullcord switch					•			•		•	•			•			•
Adaption for glass											•						
Ball bearings	•	•	•	•	•	•	•	•	•	•	•	•	•	•	•	•	•

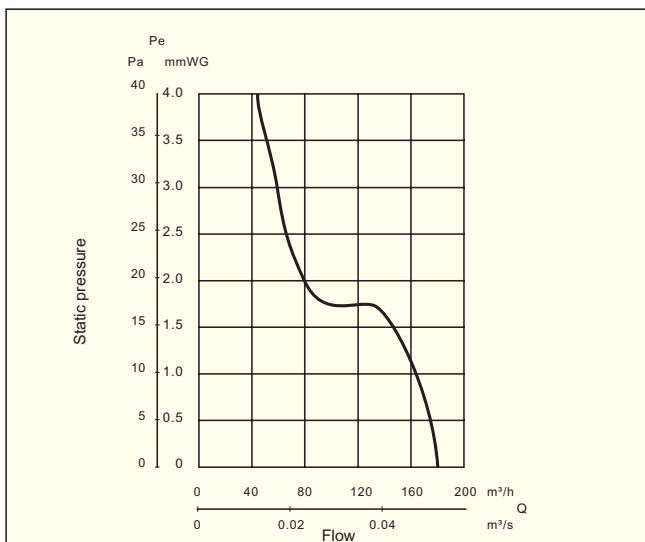
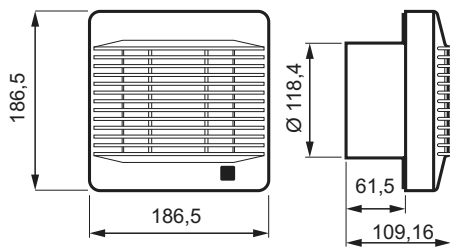
EDM 80



EDM 100



EDM 200

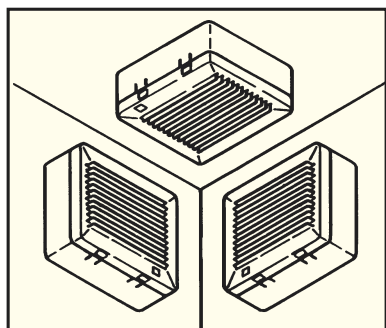




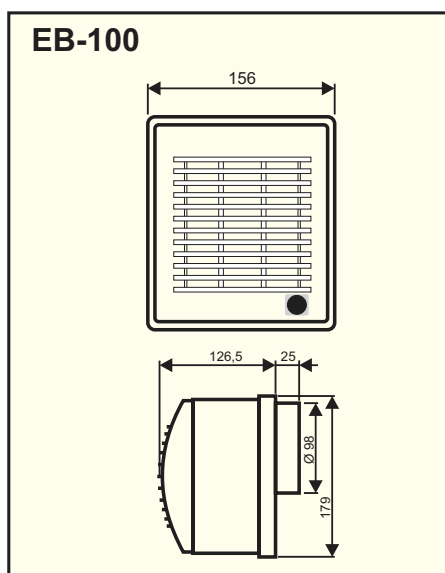
EBB-175, EBB-250



EB-100  
Installation



**Dimensions in mm**



In-line fans with ball bearings, high pressure and large flow capacity, which make them especially suited for multi-store buildings and hard ventilation conditions.

EB-100T, EB-175T and EBB-250T have built-in electronic timer and adjustable hygrosat. The fan keeps on running (adjustable 2-20 minutes) after switching off.

EB-100HT has built-in electronic timer and adjustable hygrosat, to set automatic start when the humidity level.

- Ascetically attractive
- Low sound level
- Suite ventilation ducts Ø100mm
- Built-in an automatic shutter to prevent incoming cold air when the fan is switched off.
- Can be installed both vertically and horizontally

Wiring diagram, see page 234.

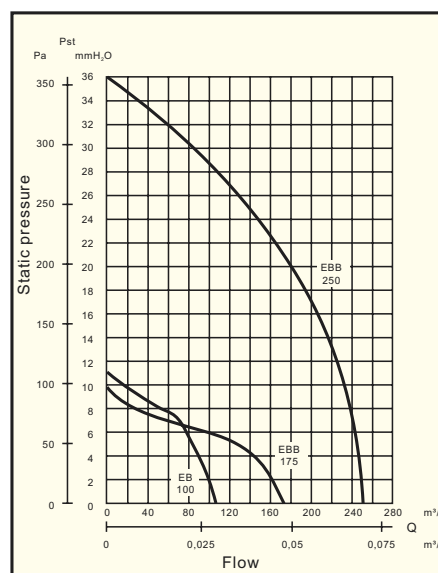
**Technical specification**

Type	EB-100	EBB-175	EBB-250
Speed (rpm)	2250	1300	1800
Motor power (W)	30	30	89
Voltage (V)	230	230	230
Maximum current (A)	0,24	0,24	0,75
Maximum flow (m <sup>3</sup> /h)	110	175	250
Pressure max. (Pa)	110	100	350
Sound level (dBA)	46	46	52
Weight (kg)	1,1	2,2	2,2

**Accessories**

Model	100S	100T	175S	175T	250S	250T
Pilot lamp	•	•	•	•	•	•
Timer		•		•		•

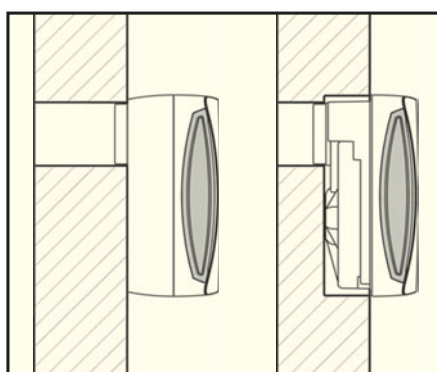
**Performance curves**





All EBB models incorporate powerful single inlet forward curved impellers which develop substantial pressure development suitable for ducted systems. All models are supplied as standard with a back draught shutter located in the fan exhaust. All models incorporate single-phase 230V, 50Hz, electric motors and fitted as standard, with a self-resetting Thermal Overload Protection device. The EBB extractor range is supplied with Class II grade electrical insulation, IP44. All models incorporate a red neon light indicating a “fan-on” status. In addition the EBB range includes a “safety power cut-off”, mechanism that switches the power off from the fan when the front grille is removed. This enables safe cleaning of the fan impeller and front grille.

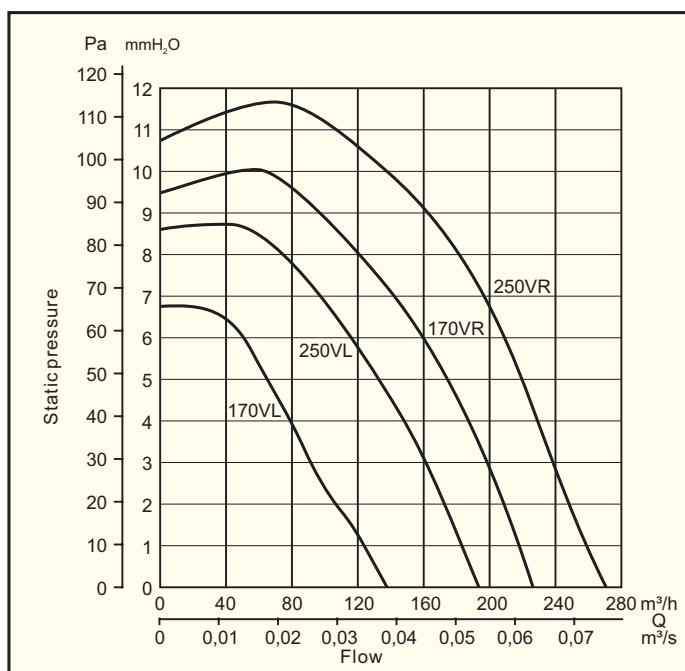
**Installation**



**Data**

Type	Speed rpm	Motor power W	Voltage V	Maximum duty m³/h	Sound pressure level dB(A)	Weight kg	Enclosure IP	Insulation
EBB-170N	1010	48	230-240	220	42,3	3	44	II
EBB-250N	1225	51	230-240	270	46	3	44	II

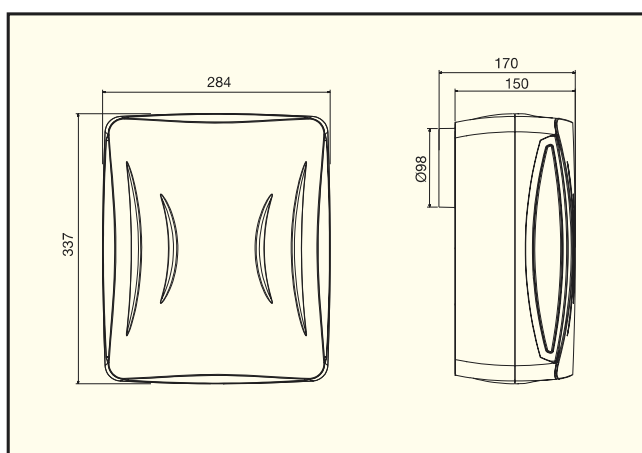
**Performance curves**



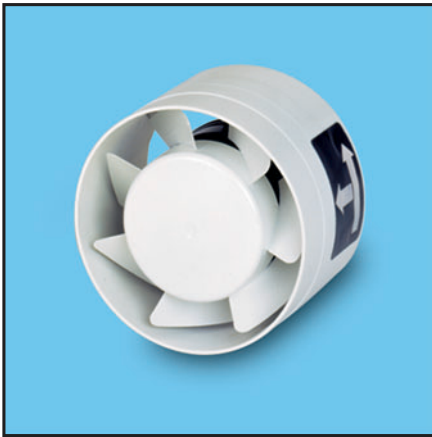
**Features**

Version	S	T	HT
2-speed	•	•	•
Timer		•	•
Humidistat			•

**Dimensions in mm**







In-line fan of plastic designed for direct installation in short ventilation ducts with  $\text{Ø}100\text{mm}$  or  $\text{Ø}125\text{mm}$ .

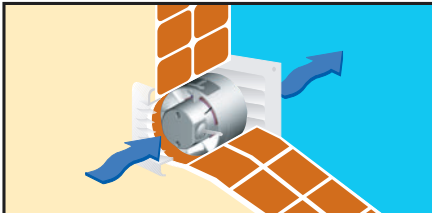
Low sound level

Easy installation

Can be installed both vertically and horizontally

Wiring diagram, see page 234.

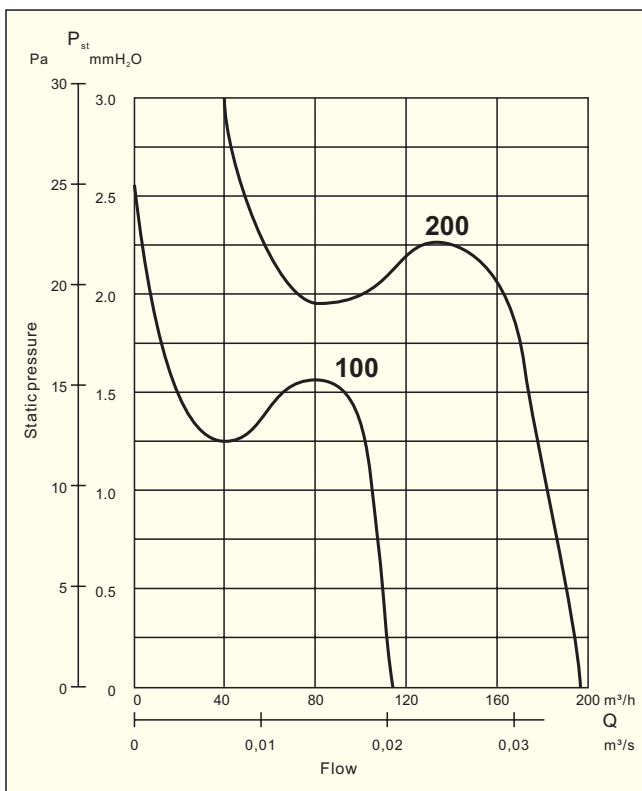
## Installation



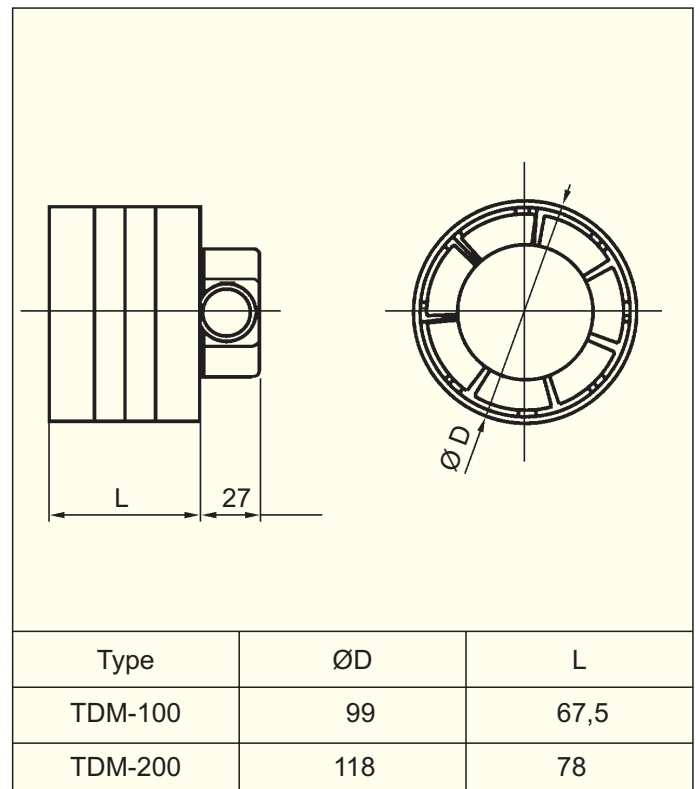
## Data

Type	Speed rpm	Motor power W	Voltage V	Maximum flow $\text{m}^3/\text{h}$	Sound pressure level dB (A)	Weight kg	Article number
TDM-100	2500	13	230	110	40	0,4	112 202 055
TDM-200	2600	25	230	200	44,5	0,6	112 202 057

## Performance curves



## Dimensions in mm





**Ceiling Fan HTB**

Silent ceiling fan with single-phase motor 230V, 50Hz. Variable speed control with electronic regulator or transformer. Enclosure IP44. Insulation class B. Blades in sheet steel coated in white epoxy paint, casing in plastic. The fan can be used for equalization of temperature in high depots.

**Accessories**

Variable speed controls

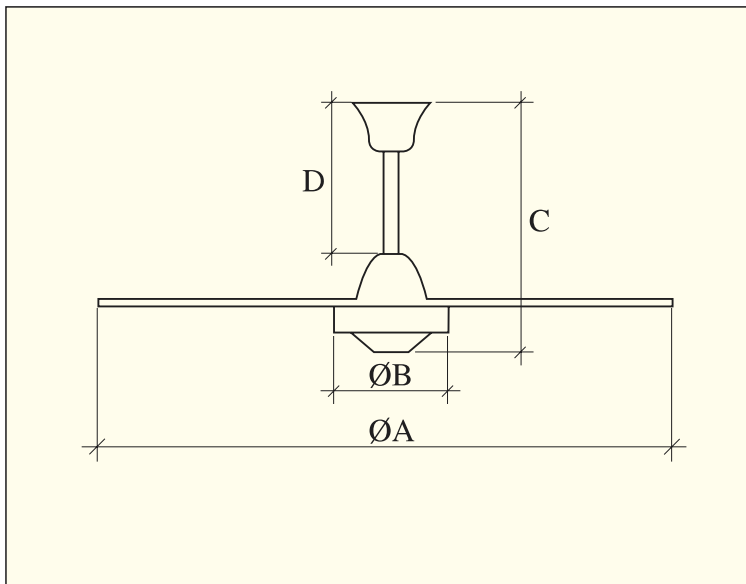


**Technical specification**

Type	Speed rpm	Motor power W	Voltage V	Maximum duty m³/h	Sound level dB (A)	Weight kg	Article number
HTB-75S	290	55	230	6400	45	4,3	112 206 001
HTB-90S	240	60	230	8650	46	4,5	112 206 051
HTB-150S	180	70	230	12600	47	8,2	112 206 101

**Dimensions in mm**

Type	D	C	ØB	ØA
HTB- 75 N	210	395	175	800
HTB- 90 N	210	395	175	1000
HTB-150 N	210	410	195	1405







<b>RMB</b>	<b>230</b>
<b>RMT</b>	<b>230</b>
<b>REB</b>	<b>230</b>
<b>REGUL</b>	<b>230</b>
<b>HIG2</b>	<b>231</b>
<b>SQA</b>	<b>231</b>
<b>CT-12/14</b>	<b>231</b>
<b>Commander SK</b>	<b>232</b>

**In-Line Fans**

**Axial-flow Fans Wall Versions**

**Axial-flow Fans Cased Versions**

**Roof Fans**

**Fans "ATEX"**

**Centrifugal Fans VISP/VASP**

**Centrifugal Fans**

**Side Channel Blowers**

**Chip Extractors**

**Domestic Fans**

**Accessories**

**Electric Diagrams**

**General Information**

**Index**



RMB



REB-1 NE



REGUL-2

All fans in this catalogue, if not anything else is specified, are provided with electrical motors. They can be variable speed controlled with one of following methods.

**Transformer controller** – controls the speed of the fan motor by vary the supply voltage with a step transformer. Can be supplied both with single- and three-phase motors. Recommended for motors with fair cooling and high resistance.

**Electronic controller** – controls the speed of the motor by vary the supply voltage with an electronic regulator. Can be supplied for both single- and three-phase motors. Recommended for motors with fair cooling and high resistance.

**Frequency inverter** – controls the speed by vary the frequency of the motor current between 0 and 50 Hz (0-100 Hz can occur). Recommended for standard three-phase asynchronous motors.

**RMB** – 230V, 50Hz single-phase variable speed control of transformer with 5 steps. Can also be connected to a thermostat for temperature control.

**RMT** – 400V, 50Hz three-phase variable speed control of transformer with 5 steps.

**REB** – 230V, 50Hz single-phase manual electronic regulator for variable number of revolutions. The lowest rotation speed can be adjusted with a trim potentiometer. The regulator is equipped with a ceramic fuse. REB can be supplied for outside (type N) or inset (type NE) installation.

**REGUL-2** – 230V 50Hz, 2-speed switch. Can only be used together with 2-speed motors.

### Technical specification

Type	Voltage V	Maximum load A	Dimensions B x H x D mm	Article number
RMB-1.5	230	1,5	170x220x110	112 180 051
RMB-3.5	230	3,5	170x220x110	112 180 061
RMB-8	230	8,0	170x220x110	112 180 071
RMB-10	230	10,0	210x260x120	112 180 081
RMT-1.5	400	1,5	170x220x110	112 180 111
RMT-3.5	400	3,5	210x260x120	112 180 121
RMT-8	400	8,0	250x300x200	112 180 131
RMT-12	400	12,0	300x400x200	112 180 141
REB-1 N	230	1,0	80x80x68	112 170 431
REB-1 NE	230	1,0	80x80x57	112 170 435
REB-2.5 N	230	2,5	80x80x68	112 170 441
REB-2.5 NE	230	2,5	80x80x57	112 170 445
REB-5N	230	5,0	120x120x82	112 170 451
REGUL-2	230	16,0	80x80x45	112 170 460



HIG-2

**Humidistat HIG-2**

Enables the automatic ON/OFF operation of a extract fan by monitoring the Relative Humidity level.

- Adjustable pre-set RH level 60-90%.
- Automatically switches the fan ON or OFF.

Enclosure	Insulation	Ampere (A)	Temperature range	Timer settings	Dimensions WxHxD
IP-21	II (□)	6 (2)	0-50°C	1-25	130x82x43



SQA

**Air Quality Sensor SQA**

Automatically switches the fan on when the quality of the ambient air deteriorates below an acceptable level due to fumes, odours, tobacco, smoke, or dampness etc. The SQA has an adjustable Run-On-Timer facility, which enables the fan to operate for a pre-selected time period after the air quality sensor has been switched OFF.

**Important:** This sensor MUST NOT be used to detect combustible gases or fires and in connection with any safety alarm systems.

Enclosure	Insulation	Ampere (A)	Temperature range	Timer settings	Dimensions WxHxD
IP-21	II (□)	6 (2)	0-50°C	1-25	130x82x43



CT-12/14

**CT-12/14 Transformer**

230 VAC - 12 VAC transformer for use with Low Voltage Bathroom & Toilet extract fans.

- Safety isolating transformer.
- Fuse Protection.
- Supply voltage 230 VAC; Output voltage 12 VAC 50Hz.

Supply voltage	Enclosure	Insulation	Power (VA)	Output voltage	Dimensions WxHxD
220-240V,50Hz	IP-21	II (□)	14	12V	130x82x43



**Construction**

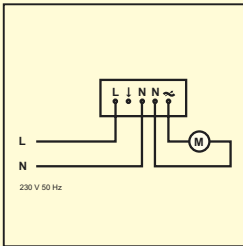
Programmable frequency inverters for variable speed control of standard three phase asynchronous electric motors up to 110kW. Inverters operating together with filter meet the requirements of the EMC directive. Free software for windows included.



Drive Size	W	H	D
A (SKA)	75	140	145
B (SKB)	85	190	156
C (SKC)	100	240	173
2 (SK2)	155	368	219
3 (SK3)	250	368	260
4 (SK4)	310	510	298
5 (SK5)	310	820	298
6 (SK6)	310	1131	298

**Technical specification**

Type	Voltage (V)	Motor power (kW)	Maximum current (A)	Weight (kg)	Enclosure	EMC
SKA1200025	1x200-240 ± 10%	0,25	1,7	0,95	IP20	4200-6122
SKA1200037	1x200-240 ± 10%	0,37	2,2	0,95	IP20	4200-6122
SKA1200055	1x200-240 ± 10%	0,55	3,0	1,0	IP20	4200-6122
SKA1200075	1x200-240 ± 10%	0,75	4,0	1,0	IP20	4200-6122
SKBD1200110	1x200-240 ± 10%	1,1	5,2	1,3	IP20	4200-6122
SKBD1200150	1x200-240 ± 10%	1,5	7,0	1,4	IP20	4200-6122
SKBD1200220	1x200-240 ± 10%	2,2	9,6	2,1	IP20	4200-6310
SKB3400037	3x380-480 ± 10%	0,37	1,3	1,2	IP20	4200-6213
SKB3400055	3x380-480 ± 10%	0,55	1,7	1,2	IP20	4200-6213
SKB3400075	3x380-480 ± 10%	0,75	2,1	1,2	IP20	4200-6213
SKB3400110	3x380-480 ± 10%	1,1	2,8	1,3	IP20	4200-6213
SKB3400150	3x380-480 ± 10%	1,5	3,8	1,3	IP20	4200-6213
SKC3400220	3x380-480 ± 10%	2,2	5,1	2,1	IP20	4200-6311
SKC3400300	3x380-480 ± 10%	3,0	7,2	2,1	IP20	4200-6311
SKC3000400	3x380-480 ± 10%	4,0	9,0	2,1	IP20	4200-6311
SK2401	3x380-480 ± 10%	7,5	17	7,0	IP20	4200-6110
SK2402	3x380-480 ± 10%	11	21,4	7,0	IP20	4200-6110
SK2403	3x380-480 ± 10%	15	27,6	7,0	IP20	4200-6110
SK3401	3x380-480 ± 10%	18,5	36,2	15,0	IP20	4200-6305
SK3402	3x380-480 ± 10%	22	42,7	15,0	IP20	4200-6305
SK3403	3x380-480 ± 10%	30	53,5	15,0	IP20	4200-6305
SK4401	3x380-480 ± 10%	37	62,3	30,0	IP20	4200-6405



In-Line Fans

**Axial-flow Fans Wall Versions**

Axial-flow Fans Cased Versions

**Roof Fans**

Fans "ATEX"

**Centrifugal Fans VISP/VASP**

Centrifugal Fans

**Side Channel Blowers**

Chip Extractors

**Domestic Fans**

Accessories

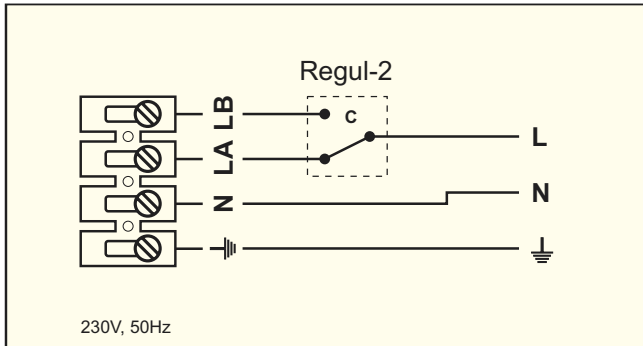
Electric Diagrams

General Information

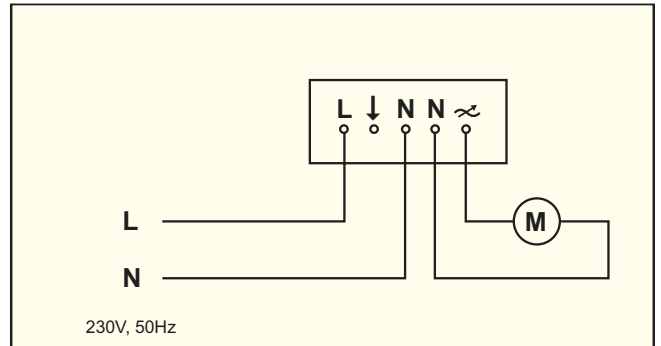
**Index**



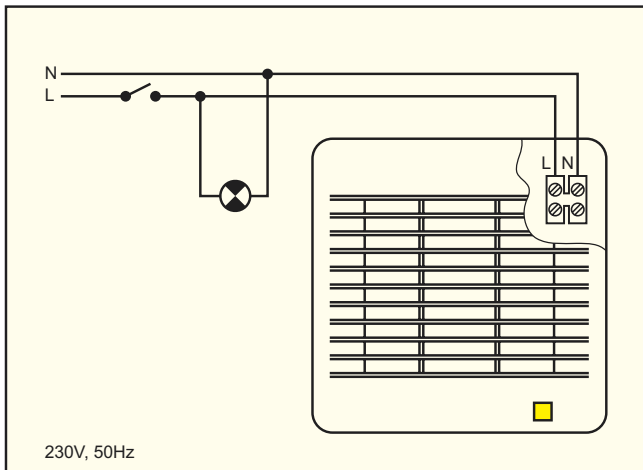
Electrical connection of fans may only be done by an authorised electrician according to the wiring diagram of the fan and in accordance with valid local regulations.



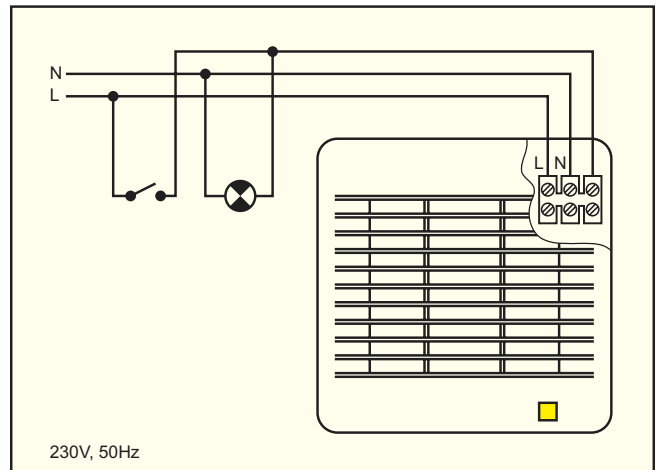
Drawing. 1 TD, TH, CK-60



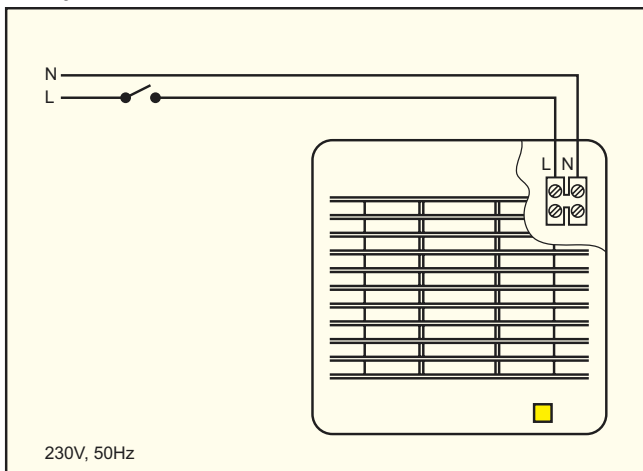
Drawing. 2 REB



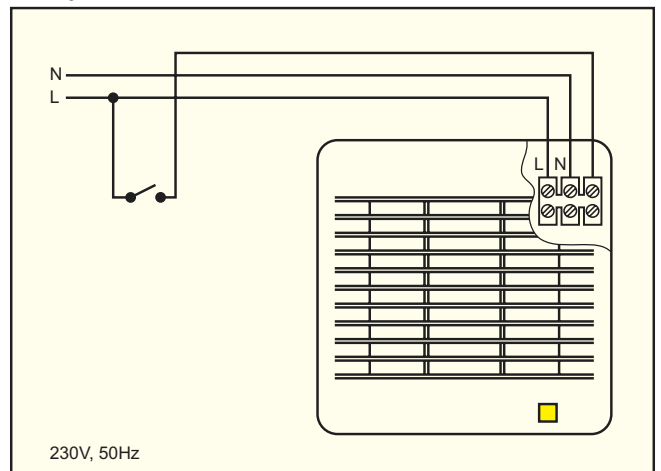
Drawing. 3 EDM-80, EDM-100S/C, EDM-160, EDM-200S/C, EB, EBB, TDM



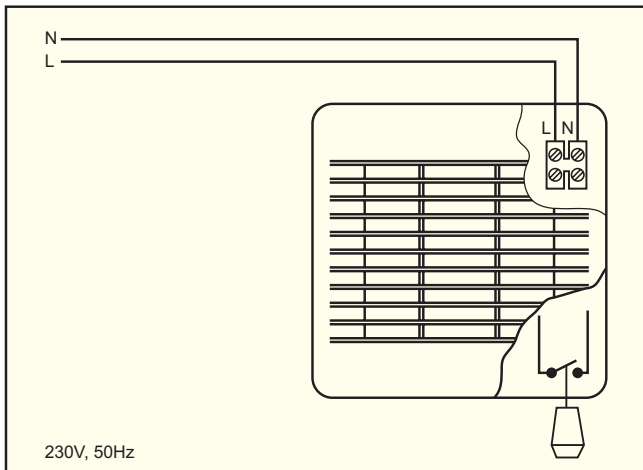
Drawing. 4 EDM-80T, EDM-100T/CT, EDM-160T, EDM-200CT



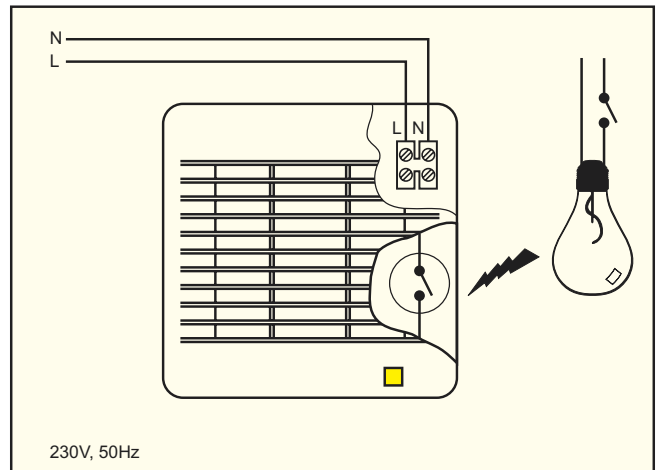
Drawing. 5 EDM-80, EDM-100S/C, EDM-160, EDM-200S/C, EB, EBB, CK-40



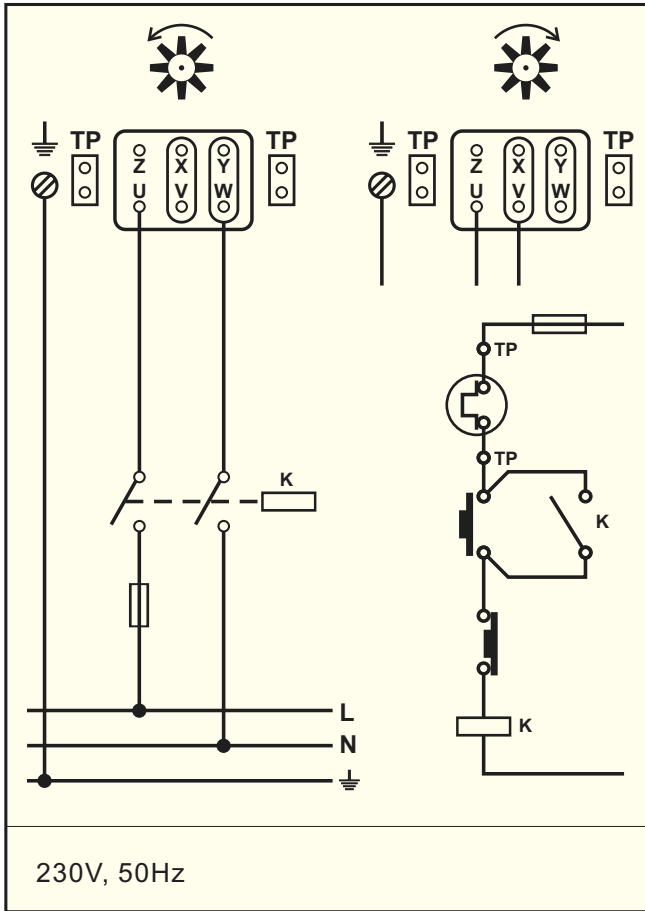
Drawing. 6 EDM-80T, EDM-100T/TC, EDM-160T, EDM-200CT,



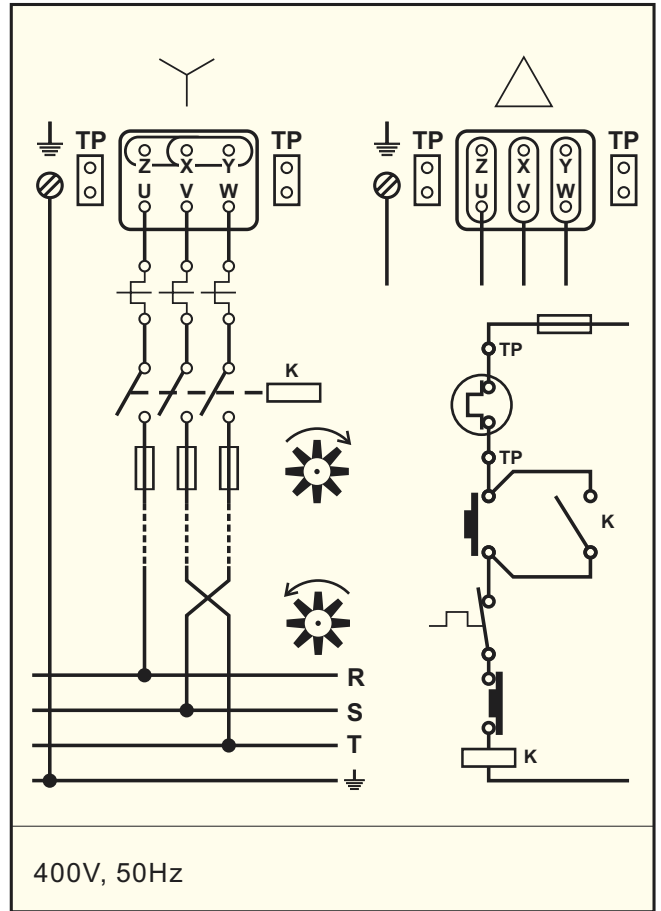
Drawing. 7 EDM-100M/H/CH, EDM-200H/CH



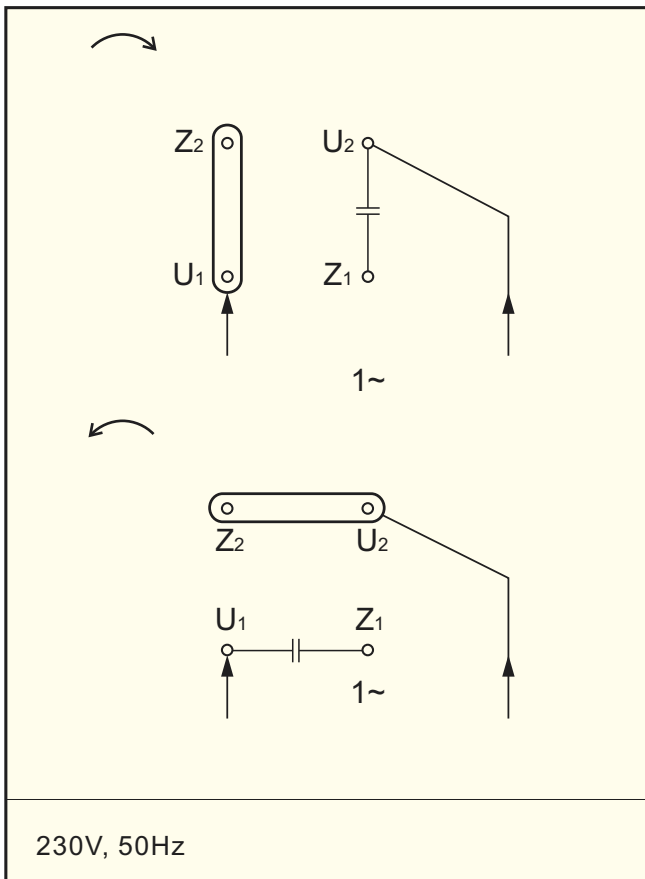
Drawing. 8 EDM-100E/CE



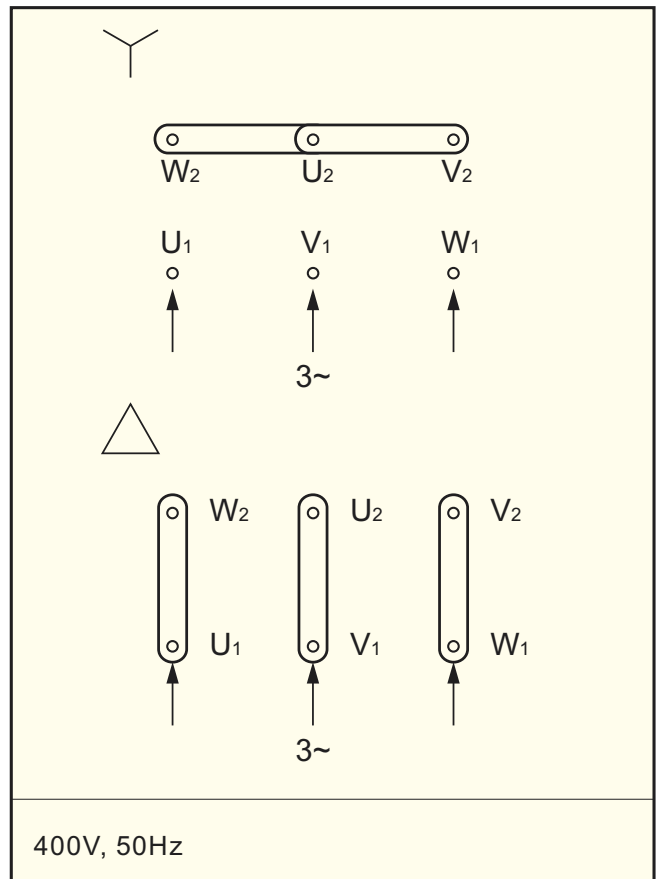
Drawing. 9 HCFB, TCFB, ILB, CTVB, CTHB, TXB, CVAB



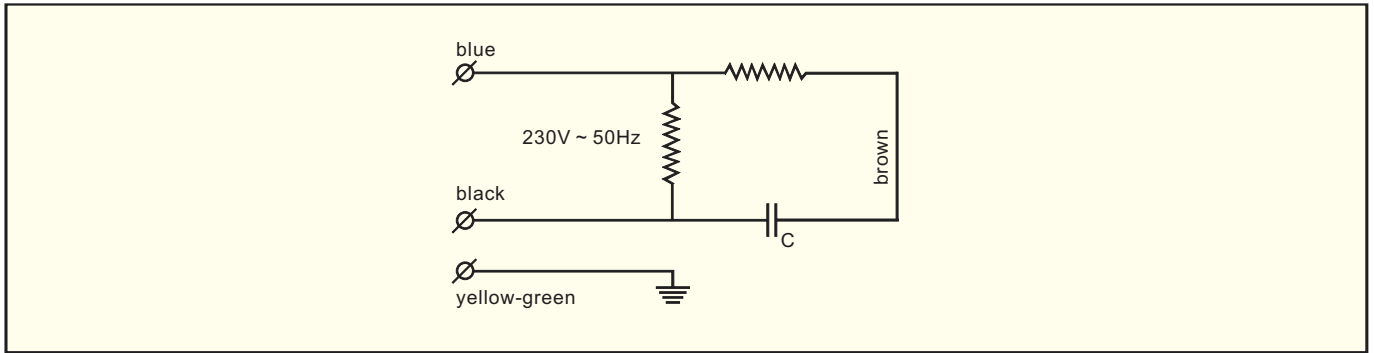
Drawing. 10 HCFT, TCFT, ILT, CTVT, CHTT, TXT, CVAT



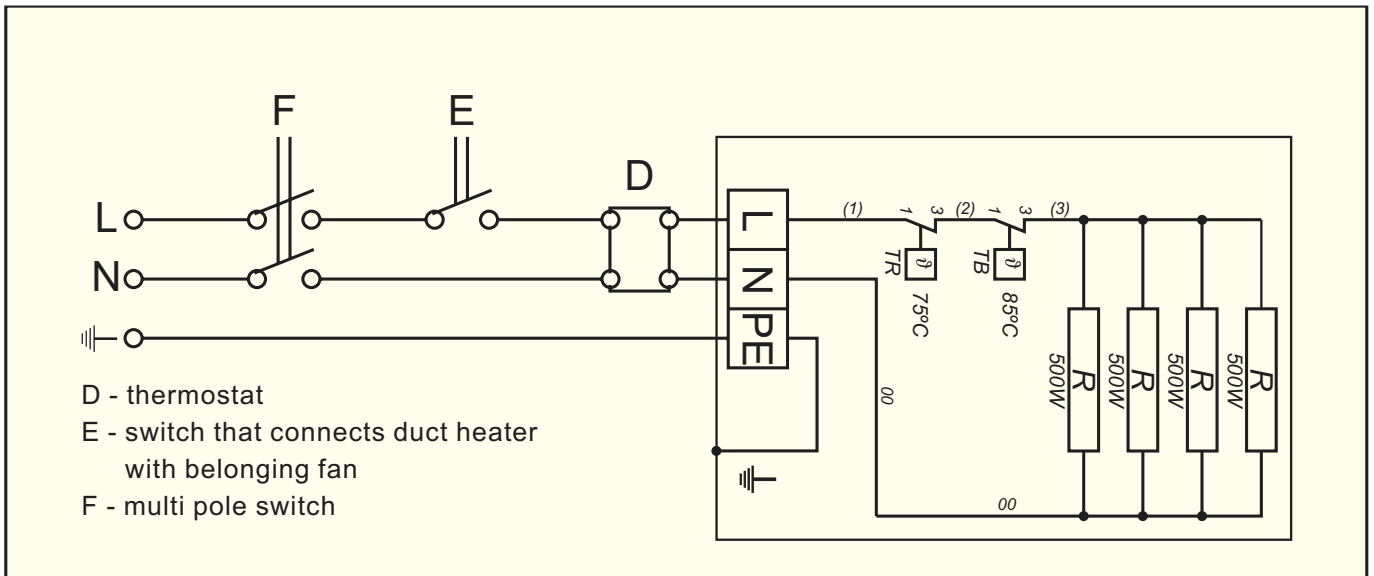
Drawing. 11 MPB, MPT, GRF, GMT, SC, QP, AFW, AFH, AFC, GSFG, GSF



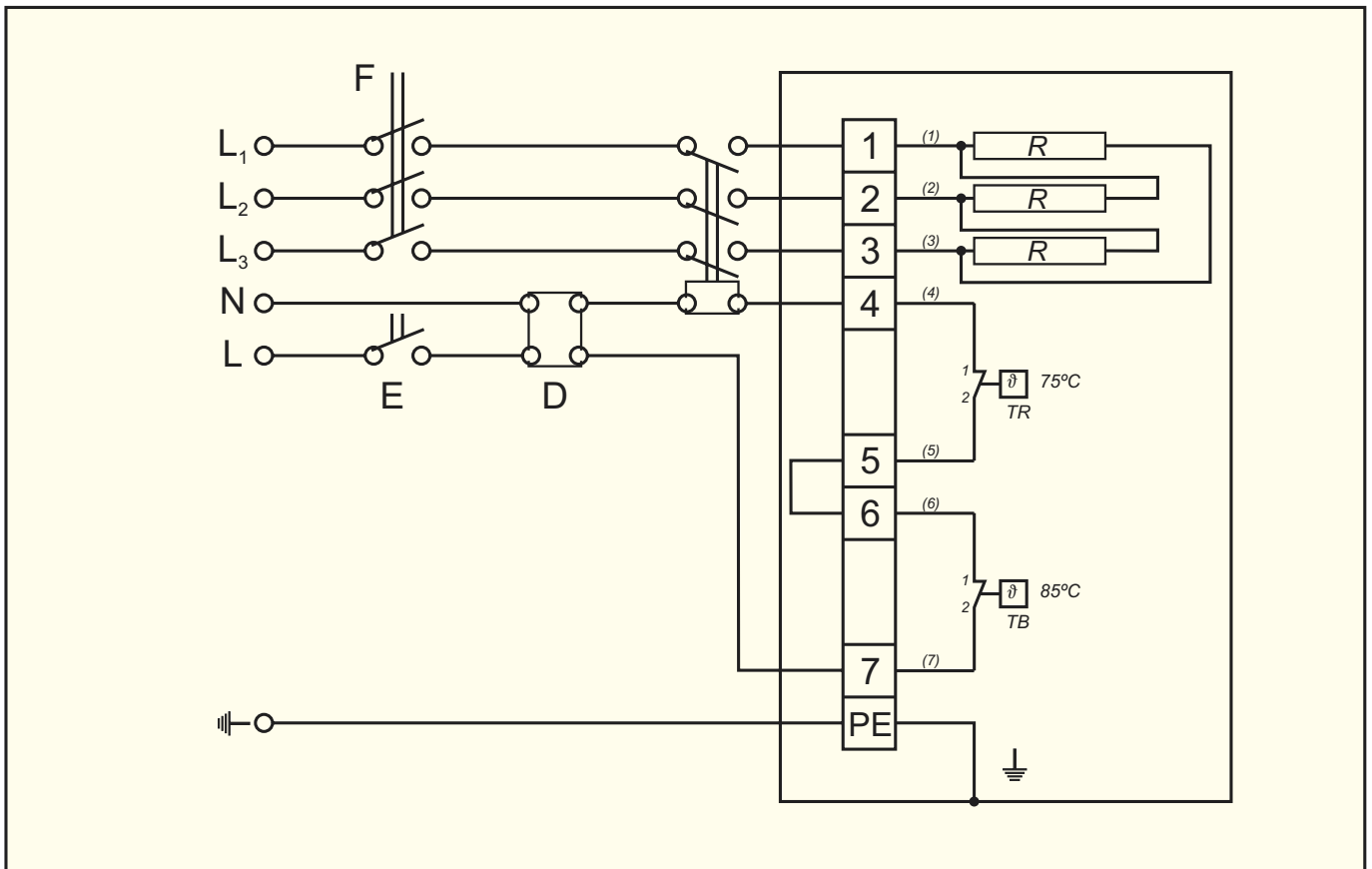
Drawing. 12 MPB, MPT, GRF, GMT, SC, QP, AFW, AFH, AFC, Q, Q2, GSFG, GST, GSF, MSB, GSB, HSB



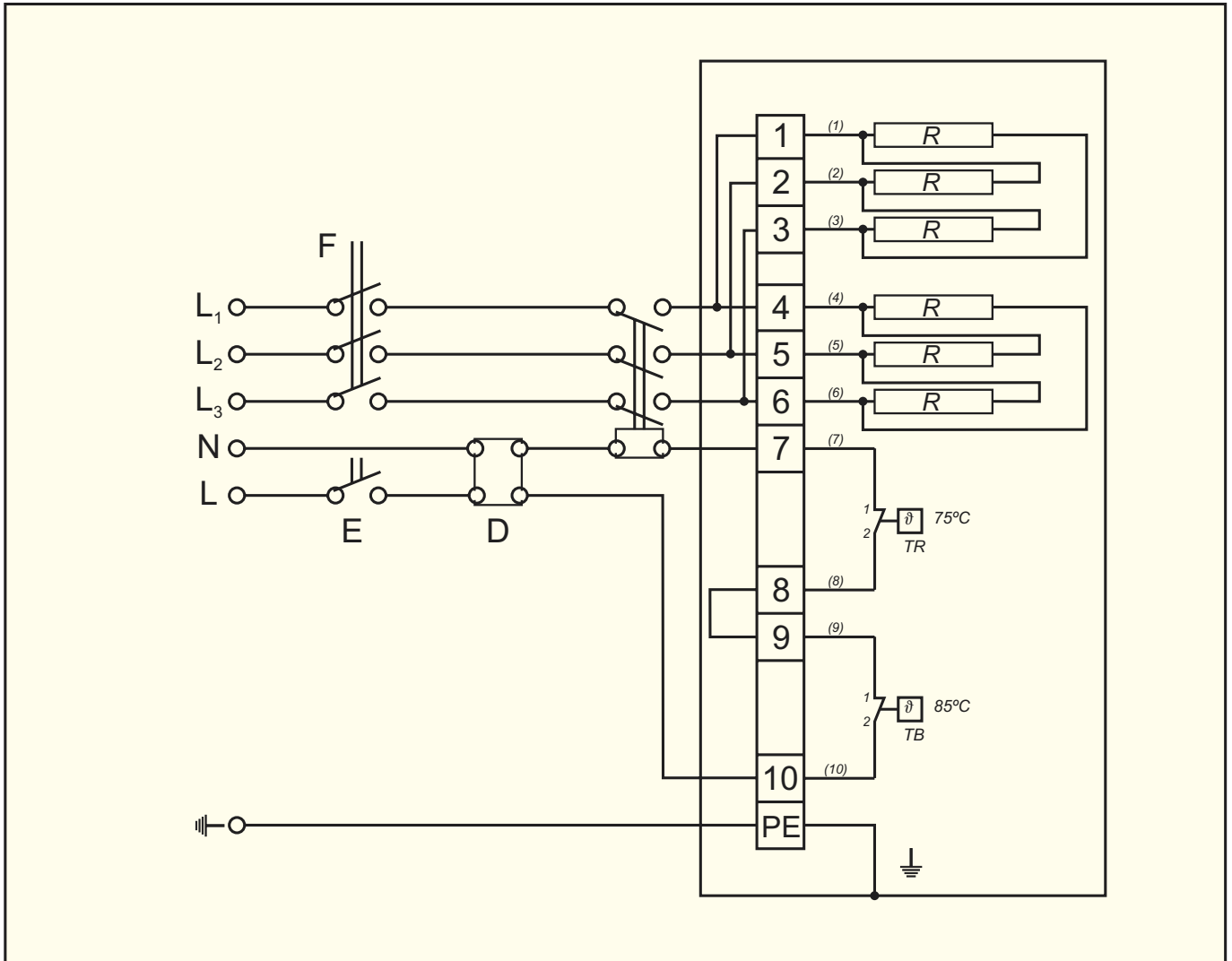
Drawing. 13 RF, IBF, AS, DEM, SEM, VENT



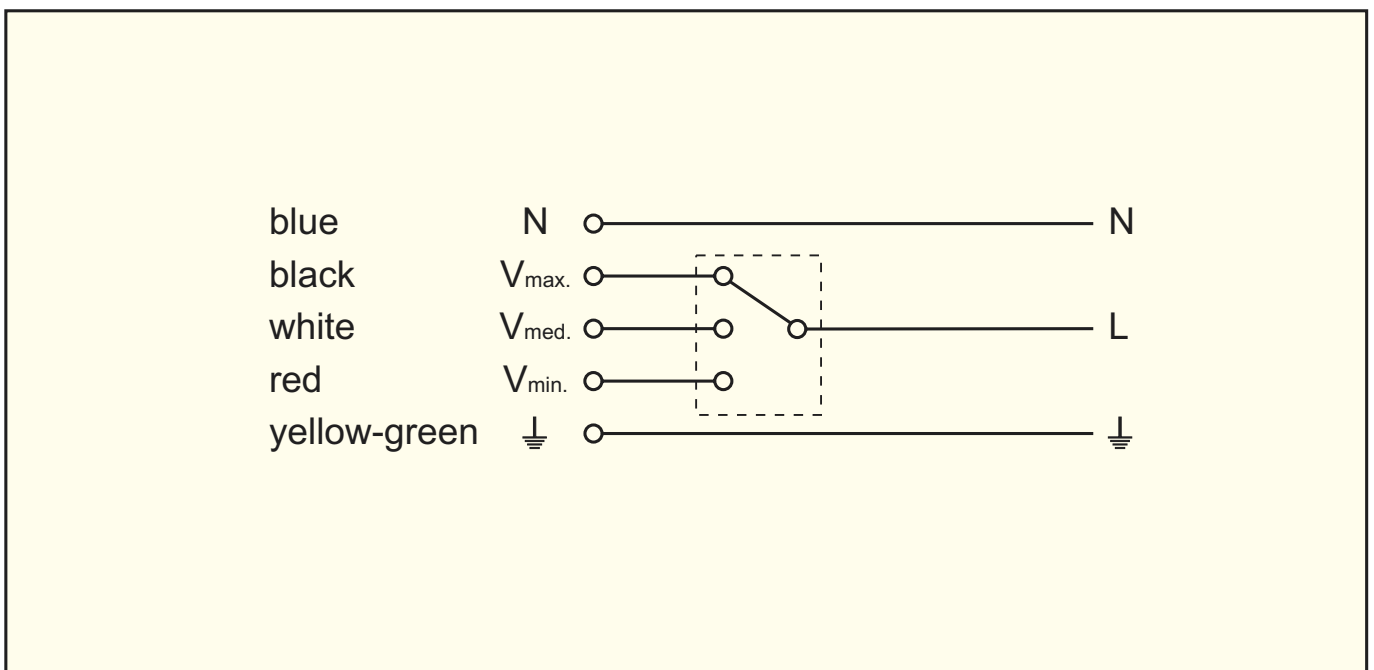
Drawing. 14 Single-phase duct heater DH



Drawing. 15 Three-phase duct heater: DH, RH - 4,5 kW; RH-50/25-90



Drawing. 16 Three-phase duct heater: DH 9 kW; RH-40/20-90, RH-50/25-180



Drawing. 17 DA3V

**VENTUR**

In-Line Fans

**Axial-flow Fans Wall Versions**

Axial-flow Fans Cased Versions

**Roof Fans**

Fans "ATEX"

**Centrifugal Fans VISP/VASP**

Centrifugal Fans

**Side Channel Blowers**

Chip Extractors

**Domestic Fans**

Accessories

**Electric Diagrams**

General Information

**Index**

### Units

The technical data shown in the catalogue is based on the SI-system. For practical reasons there is however a few discrepancies. The most common units in the SI-system and conversion factors between different systems are presented in table 1.

**Table 1**

	SI	mkps	fps
<b>Length</b>	m	m	1 ft = 0.3048 m
<b>Time</b>	s	s	s
<b>Mass</b>	kg	1 kps <sup>2</sup> /m = 9.81 kg	1 lb = 0.453592 kg
<b>Force</b>	N	1 kp = 9.81 N	1 ldf = 4.44822 N
<b>Energy factor</b>	1 Nm = 1J	1 kpm = 9.81 J	1 ftlb = 1.35582 J
<b>Pressure</b>	1 n/m <sup>2</sup> = 1 Pa 1 bar = 10 <sup>5</sup> Pa	1 kp/m <sup>2</sup> = 9.81 Pa 1 at = 10 <sup>4</sup> pk/m <sup>2</sup> 1 at = 0.981 bar	1 atm = 1.01325 bar
<b>Density</b>	kg/m <sup>3</sup>	1 kps <sup>2</sup> /m <sup>4</sup> = 9.81 kg/m <sup>3</sup>	1 lb/ft <sup>3</sup> = 16.0185 kg/m <sup>3</sup>
<b>Power</b>	1 W = 1 J/s	1 kpm/s = 9.81 W 1 hk = 0.7355 kW	1 ftlb/s = 1.35334 W

At rough estimates can following relations be used:

$$1 \text{ kp} = 10 \text{ N}$$

$$1 \text{ hk} = 0,75 \text{ kW}$$

$$1 \text{ at} = 1 \text{ bar}$$

$$0,1 \text{ m}^3/\text{s} = 100 \text{ l/s}$$

$$1 \text{ mm vp} = 0.1 \text{ mbar}$$

### Fans

The performance curves shown in the catalogue are valid, if not anything else is mentioned, for normal air with density  $\gamma=1.2\text{kg/m}^3$ , pressure  $p=1013\text{Pa}$ , temperature  $t=20^\circ\text{C}$  and a specific rated speed  $n=\text{rotation speed}/\text{min}$ . If conditions are changed can recalculations be done with formulas shown in table 2.

**Table 2**

	Density Temperature	Rated speed n	Fan size
Flow [m <sup>3</sup> /s]		$Q_2=Q_1 \left(\frac{n_2}{n_1}\right)$	$Q_2=Q_1 \left(\frac{D_2}{D_1}\right)^3$
Pressure $\Delta p$ [Pa]	$\Delta p_2=\Delta p_1 \left(\frac{\gamma_2}{\gamma_1}\right)=\Delta p_1 \left(\frac{T_1}{T_2}\right)$	$\Delta p_2=\Delta p_1 \left(\frac{n_2}{n_1}\right)^2$	$\Delta p_2=\Delta p_1 \left(\frac{D_2}{D_1}\right)^2$
Required power [kW]	$P_2=P_1 \left(\frac{\gamma_2}{\gamma_1}\right)=P_1 \left(\frac{T_1}{T_2}\right)$	$P_2=P_1 \left(\frac{n_2}{n_1}\right)^3$	$P_2=P_1 \left(\frac{D_2}{D_1}\right)^5$

There:  $\gamma$  = density [kg/m<sup>3</sup>]      T = absolute temperature = 273 + t°C  
 $\Delta p$  = total pressure [Pa]      Q = flow [m<sup>3</sup>/s]  
P = required power [kW]      D = fan wheel diameter [m]  
n = fan rotation speed [rated speed/min]

## Electrical motors

Fans shown in the catalogue are, if not anything else is mentioned, provided with electrical motors designed according to Swedish and international standards. A summary of the most common directives concerning enclosures, insulation classes and designs for explosive environments will follow below.

- Enclosure according to IEC 34-5

- Code sign IP followed by two digits, f. ex. IP54

The first digit = protection against penetration of particles of objects

Second digit = protection against water

### The first digit (protection against solid objects)

The first symbol digit	Degree of protection Short description	Definition
0	No protection	No particular protection
1	Protection against solid objects larger than 50mm	Part of the body, like a hand (but no protection against deliberate penetrating). Solid objects exceeding 50mm in diameter.
2	Protection against solid objects larger than 12mm	Fingers or similar, not exceeding a length of 80mm. Solid objects exceeding a diameter of 12mm.
3	Protection against solid objects larger than 2,5mm	Tools, wires, etc with a diameter or thickness larger than 2,5mm. Solid objects exceeding a diameter of 2,5mm
4	Protection against solid objects larger than 1,0mm	Wires or strips with a thickness larger than 1,0mm. Solid objects exceeding a diameter of 1,0mm
5	Protection against dust	Penetrating of dust is not totally prevented, but dust can not penetrate in such quantity that the materials normal operation will be jeopardised.
6	Dust-proof	No penetrating of dust

### Second digit (protection against penetration of water)

The second symbol digit	Degree of protection Short description	Definition
0	No protection	No particular protection
1	Protection against dripping water	Dripping water (drops vertically falling) may not have harmful effect.
2	Protection against dripping water of max. 15° down tilting.	Vertically dripping water may not have harmful effect as the sealing bends at the most 15° from its normal position.
3	Protection from sprinkling water	Sprinkling water with an angle of max. 60° from the vertical line may not have harmful effect.
4	Protection against over-sprinkling with water	Water that sprinkles towards the sealing from an arbitrary direction may not have harmful effect.
5	Protection against jets of water	Water that flushes through a nozzle from an arbitrary direction towards the sealing may not have harmful effect.
6	Protection against heavy sea	Water from heavy sea or water flushing in heavy jets of water may not force into the sealing in harmful quantities.
7	Protection against influence of short immersion into water	Penetration of water in harmful quantity may not be possible so the sealing will be immersed into the water at shown pressure and under given time.
8	Protection against influence of long-time immersion in water	The material are designed for long-time immersion in water under conditions specified from manufacturer.



### Insulation class

Motors are manufactured with various quality of the insulating materials. The insulating material are classified in different ranges which are specified with a letter, f. Ex. B or F. The insulation class shows the upper temperature limit that the insulation material can manage.

The environmental temperature, temperature increase and a fixed temperature reserve are factors that settles how much a motor can be charged. The motor power for a motor is normally given.

Insulation classes	105 A	120 E	130 B	155 F	180 H
Ambient temperature °C	40	40	40	40	40
Allowed temperature increase °C	60	75	80	100	125
Temperature reserve °C	5	5	10	15	15
Final temperature °C	105	120	130	155	180

### Voltage

Three-phase motors for one speed can normally be connected for two voltages. The lowest voltage is to be used when the motor is connected in Δ and the highest voltage when the motor is connected in Y. The voltage at Y =  $\sqrt{3}$  x voltage at Δ.

### Motors for 60Hz

Motors winded for 50Hz can also be used for 60Hz. The rating can be recounted according to the table below.

Standard voltage at 50Hz	% of data for 50 Hz						
	Voltage at 60Hz	Motor power	Maximum current	Starting current	Rated torque	Starting torque	Rated speed
220-240 V	220-240 V	100	100	80	83	67	120
	255-278 V	115	100	95	93	92	120
380-420 V	380-420 V	100	100	80	83	67	120
	440-480 V	115	100	95	93	92	120
500 V	500 V	100	100	80	83	67	120
	575 V	115	100	95	93	92	120

### Ignition classes for gases

Ignition class	Ignition point for gases °C	Maximum motor surface temperature °C
T1	>450	450
T2	>300 ≤450	300
T3	>200 ≤300	200
T4	>135 ≤200	135
T5	>100 ≤135	100
T6	>85 ≤100	85



**In-Line Fans**

**Axial-flow Fans Wall Versions**

**Axial-flow Fans Cased Versions**

**Roof Fans**

**Fans "ATEX"**

**Centrifugal Fans VISP/VASP**

**Centrifugal Fans**

**Side Channel Blowers**

**Chip Extractors**

**Domestic Fans**

**Accessories**

**Electric Diagrams**

**General Information**

**Index**

## Index

<b>A</b>		EBB-175	224	<b>P</b>	
Accessories	68, 85, 104, 138 189, 211, 230	EBB-250	224	PB, PH	171
ACOP	68	EBB-250 N	225	PER-CN	68
ACOP PL	26	EDM	222	PER-W	68
AFC	54	<b>F</b>		Protection net	69
AFC - HT	60	EGM	88	<b>Q</b>	
AFC - VB	58	FCM, RL	170	Q	162
AFD	61	Filter	139	Q, 2-Stage	166
AFH	63	<b>G</b>		QP	159
AFK	67	GMT	140	<b>R</b>	
AFS	65	GRF	120	RBH	77
AFW	40	GSB	144	RCS	23
<b>B</b>		GSF	117	REB	230
BL	172	GSF-AP HT	115	REGUL-2	230
BNF	172	GSFG	122	RF	72
<b>C</b>		GST	156	RFV	75
CAR	27	<b>H</b>		RH	21
CBM	108	HDT	93	RMB	230
CBP	111	HIG-2	231	RS	86
Commander SK	232	HPB	176	RSA	86
COMPACT cased version	44	HPBx	173	<b>S</b>	
COMPACT wall version	31	HPR	176	SC	192
COMPACT "ATEX"	92	HPT	176	SC - V-belt drive	201
Connector	138	HSB	153	SEM	106
Coupling AFC	69	HTB	227	SILENT	218
CT-12/14	230	HXM	30	Sleeve AFC	69
CTH..., CTV...	79	<b>I</b>		SQA	230
CVAB/CVAT	17	IBF	12	Stand AFC	69
<b>D</b>		<b>J</b>		<b>T</b>	
DECOR	220	JAЕ	85	TCBBx2, TCBTx2	52
DEM	107	JBR	85	TD	2
DF	24	JCA	85	TDM	226
DFK... + EU	25	JPA	85	<b>V</b>	
DH	19	<b>M</b>		VASP	100
DPB	168	Mounting base	114	VENT	8
DSC, PSC	205	MPB	126	VISP	96
<b>E</b>		MPR	130	<b>W</b>	
EB-100	224	MPT	133	Welding flange	139
EBB-170 N	225	MSB	144	Wiring diagram	234
		MSB-VB	150	WNF	214