

Technical Data

	<i>ModuFix</i> 10	<i>ModuFix</i> 15	<i>ModuFix</i> 150	<i>ModuFix</i> 200
Traversing range X/Y/Z [mm]	600 x 300 x 150	1100 x 300 x 150	1100 x 600 x 150	1600 x 600 x 150
Table clamping area [mm]	1000 x750 x1500	1500 x750 x1500	1500x1100 x1500	2000x1100 x1500
Opening [mm]	300			
Process speed X/Y/Z [mm/s] with Stepper motors with Servo motors with Direct Drives	max. 2500 (depending on the application)			
Repeat accuracy [mm]	≤ 0,01			
Operation	monitor with keyboard, touch screen, function keys, EmergencyOFF			
Mechanical and electronic components	Can be compiled as needed. The individual components such as linear and rotary units, or also step controller and servo-controller can be found under the respective section MECHANICS and ELECTRONICS. Individual control programs are also further discribed under the SOFTWARE section.			
Software	PAL-PC, Remote optional: ProNC, isyCAD/CAM, Galaad			
Item-No.*	248552 0005	248552 0006	248552 0007	248552 0008

* Is only applicable for the basic configuration without any mechanical or electronic components as well as no protective cover.
The individual components differ from customer to customer.

Technical specifications subject to change!

made by *isel*

isel[®]
From Components to Systems

isel Germany AG

Untere Roede 2 // D-36466 Dermbach
phone: +49 (0) 36 964 / 84 500 // E-Mail: verkauf@isel.com // www.isel.com

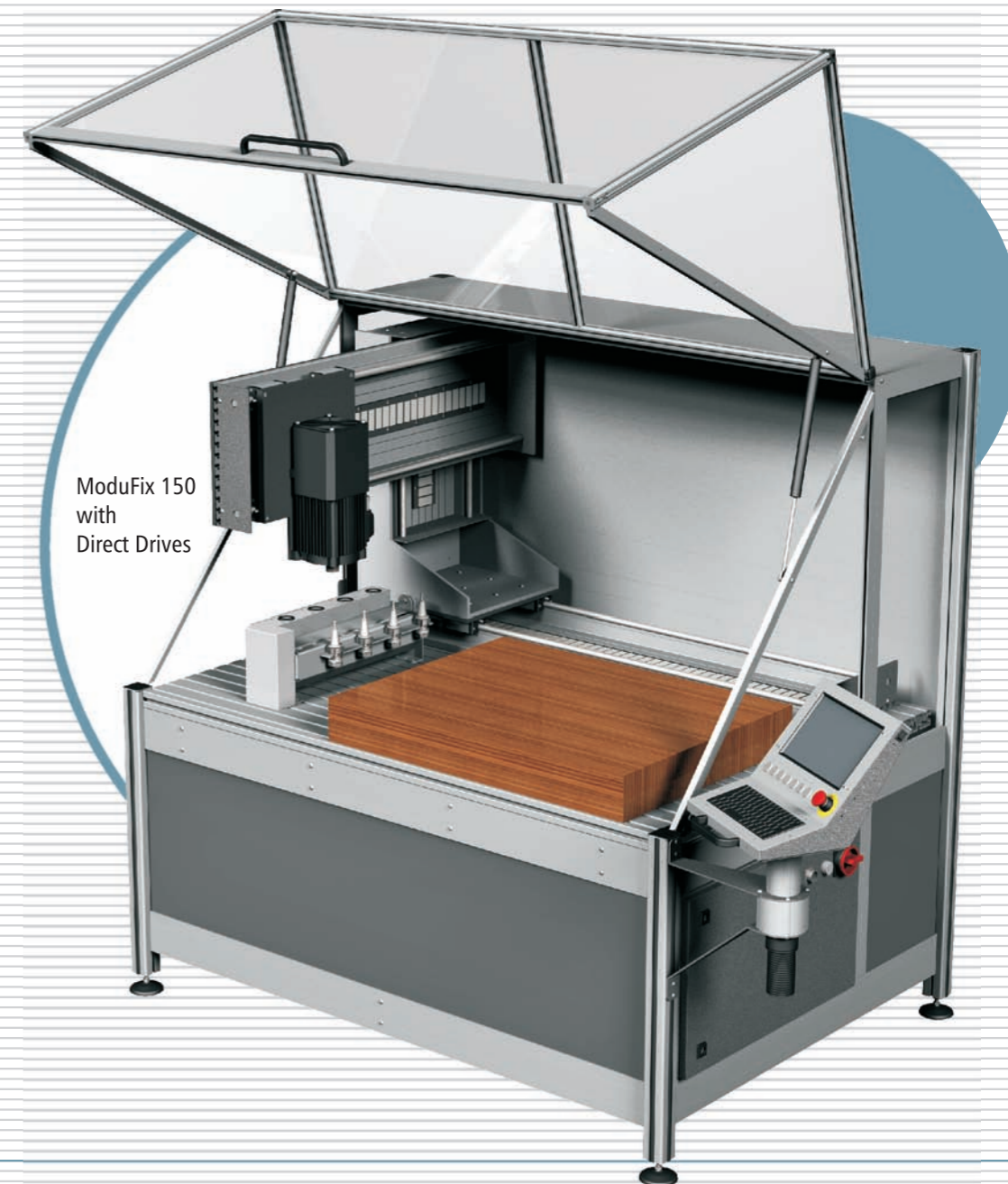


Layout: iselmedia

isel[®]
From Components to Systems

ModuFix[®]

CNC Machines with Stepper motors, Servo motors or Direct Drives



ModuFix 150
with
Direct Drives

www.isel.com

isel[®]

General

ModuFix CNC machines are built modular, with high operating comfort for a variety of tasks and applications at an good price/performance ratio.

The basis is a frame with an x/y/z-unit (cantilever arm) with linear motors as well as a integrated control cabinet, monitor, touch screen and a keyboard.

ModuFix CNC machines are available as compact units in 4 standard sizes:

- ModuFix 10
- ModuFix 15
- ModuFix 150
- ModuFix 200

The x/y/z-unit can be individual used for all assembling, machining and testing tasks.

This affordable machine concept allows you maximum flexibility in production with very short amortisation times.

ModuFix CNC machines are according to the use, with stepper motors (series P) and servo motors (series V) and mixed (combination of servo and direct) available.

ModuFix CNC machines have a multitude of use, e.g. for:

- Test and test set-ups of any type
- CNC technology (didactics) for education and training sector
- Flexible manufacturing technology



Illustration:
ModuFix 10 with cantilever arm
and turning swivel unit

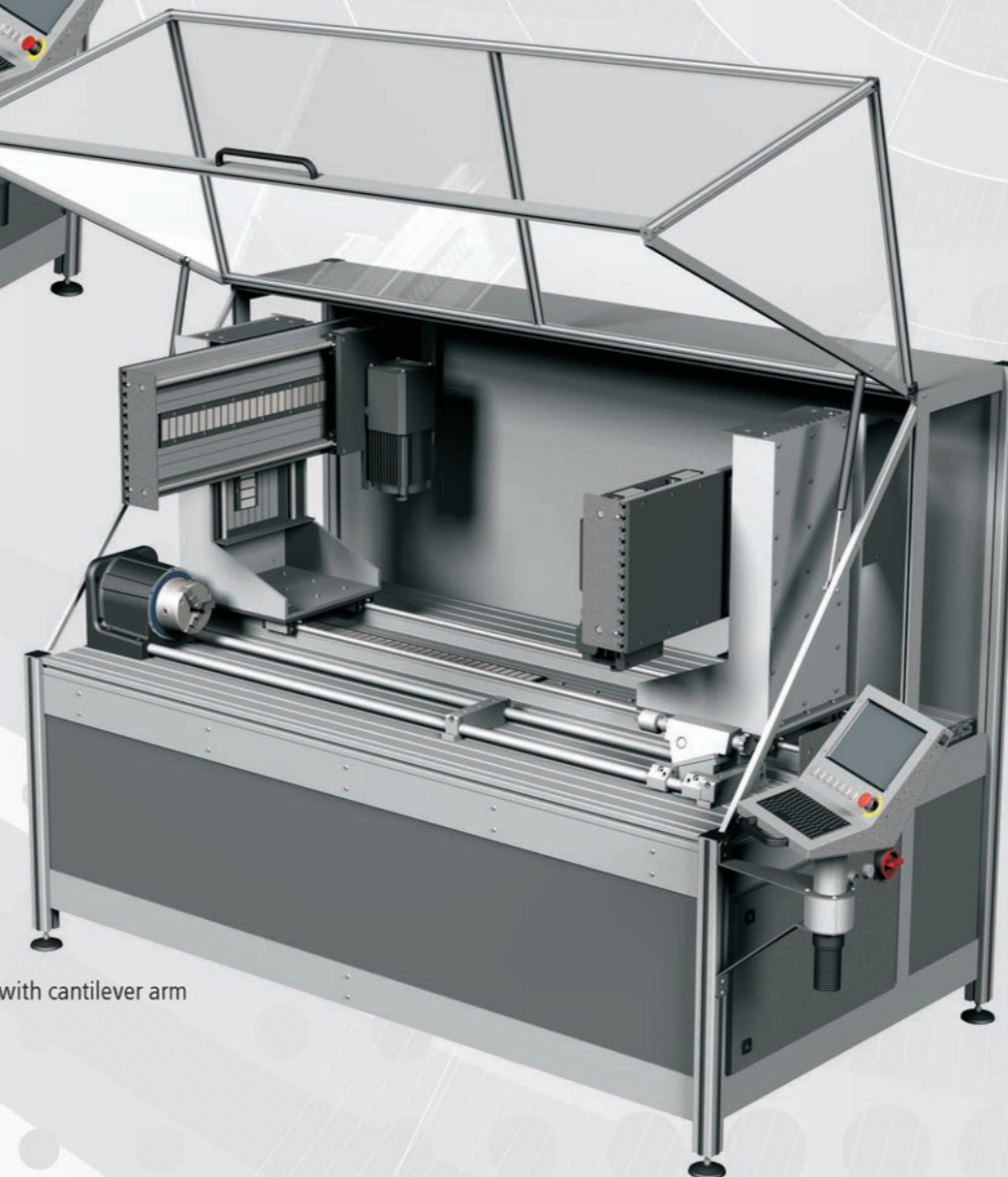


Illustration:
ModuFix 150 with cantilever arm

Applications

ModuFix CNC machines serve as the basic equipment for test and test set-ups as well as CNC technology for:

- Drilling and milling
- Assembling and mounting
- Imprinting and engraving
- Metering and Fastening
- Buring and polishing
- Bonding and casting
- Soldering and welding
- Measuring and testing
- Scanning

... and for many other applications!

Options

For **ModuFix** CNC machines , mechanical components (linear units, rotary units) and electronic components (step controller or servo controller) as well as equipment and tools for different requirements and applications are available:

- Drilling and milling spindle
- Frequency converter
- Toll changer
- Cooling / spraying device
- Extraction
- I/O-Module
- Protective cover
- Step motors
- Servo motors
- Pneumatic accessoires
- Vacuum clamping plates
- Applications
- Other dimensions (x/y/z)

Please let us help you to find the optimal configuration for your applications.